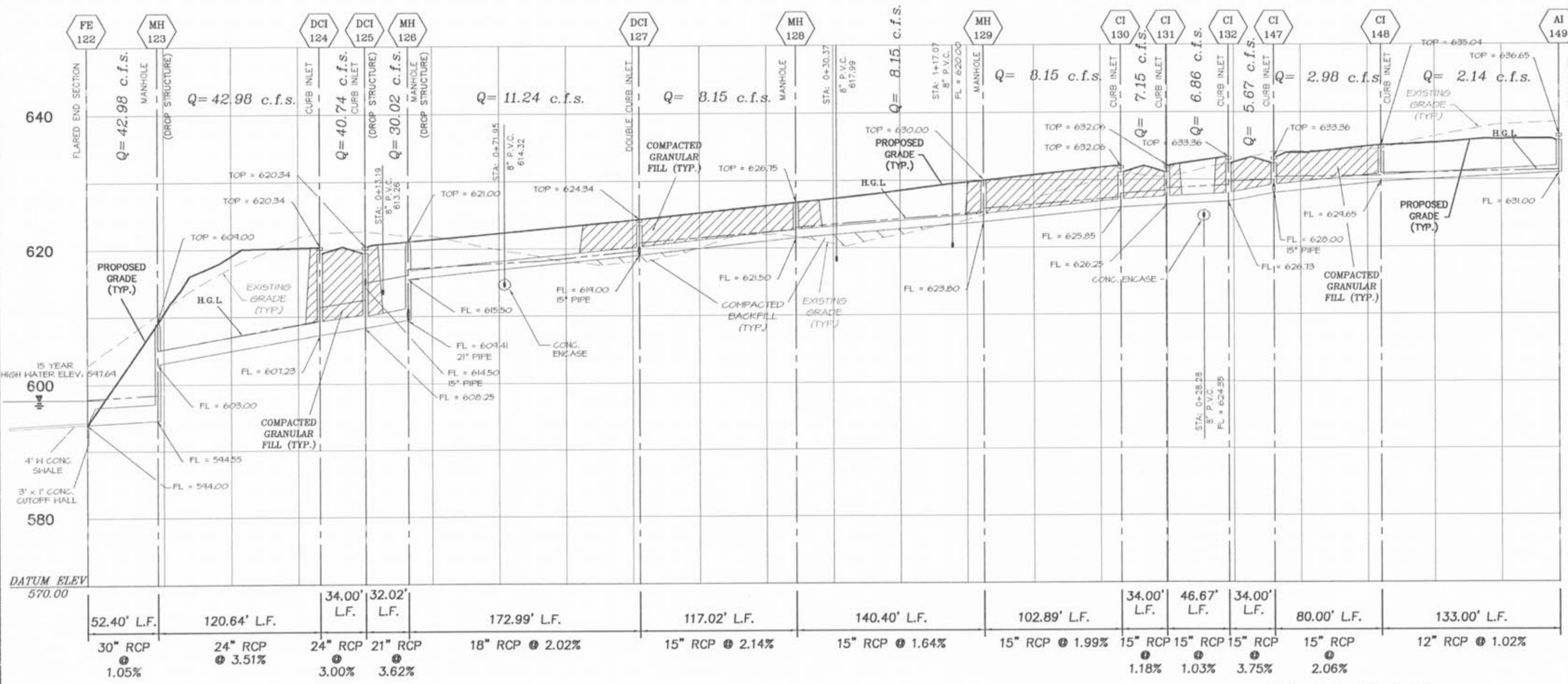


The underground utilities shown herein were plotted from available information and do not necessarily reflect the actual existing manhole, size, type, number, or location of these or other utilities. The general contractor shall be responsible for verifying the actual location of all underground utilities, shown or not shown, and said utilities shall be located in the field prior to any grading, excavation or construction of improvements. These provisions shall in no way absolve any party from complying with the Underground Facility Safety and Damage Prevention Act, Chapter 308, RSM.

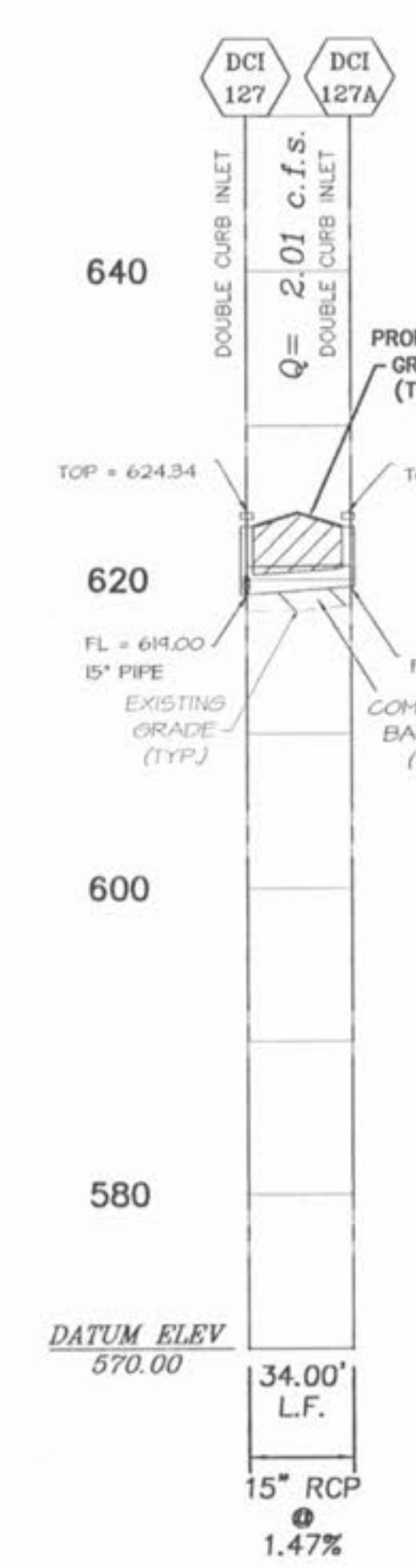
H.G.L. = HYDRAULIC GRADE LINE
 NOTE: ALL SEWER PIPE TO BE CLASS III REINFORCED CONCRETE PIPE, UNLESS OTHERWISE SPECIFIED ON PLANS.

SUNSET RIDGE ESTATES
 STORM PROFILES
 REV- 8/30/96
 REV- 10/23/96
 REV- 11/21/96
 95-541

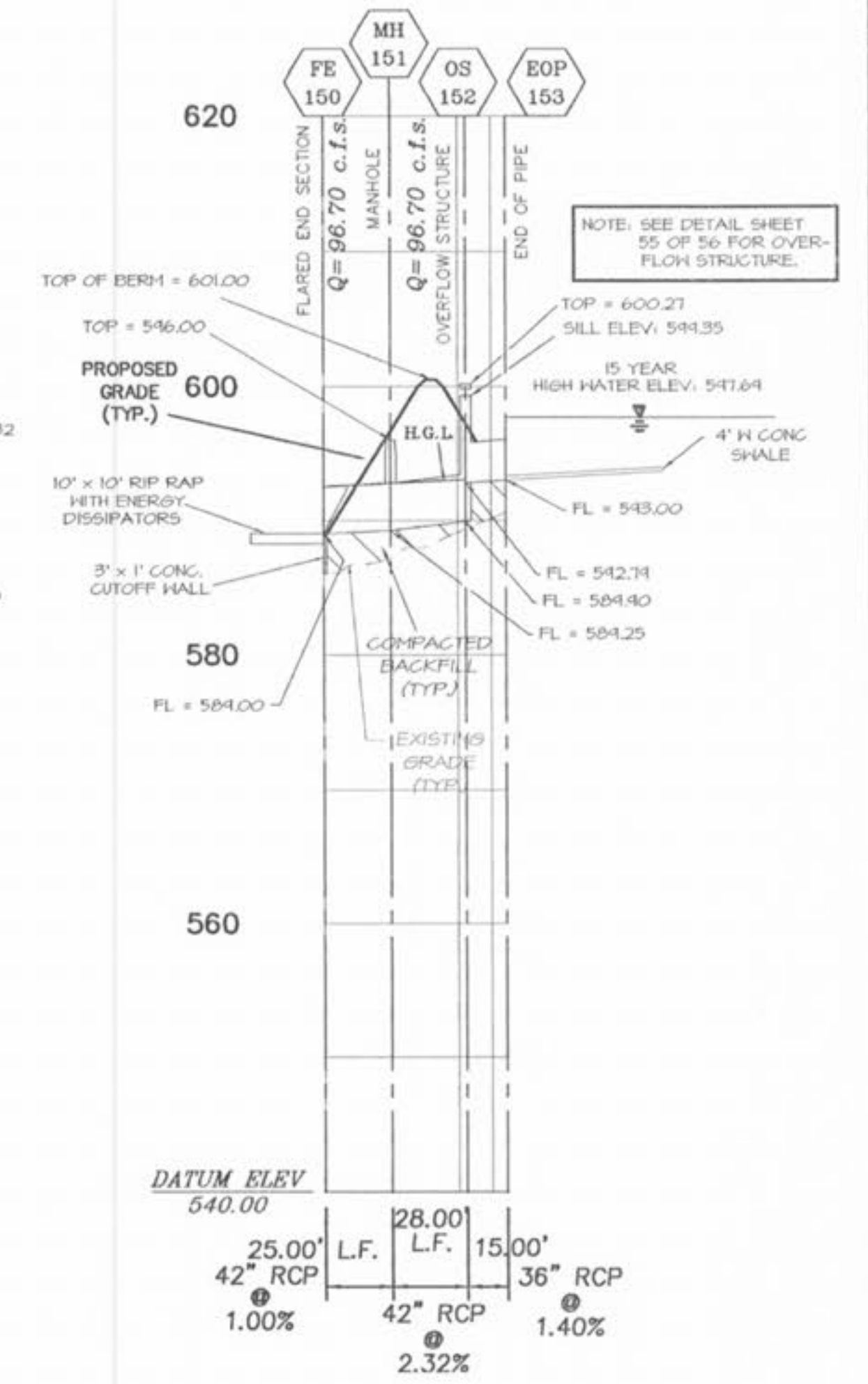
FE 122-AI 149



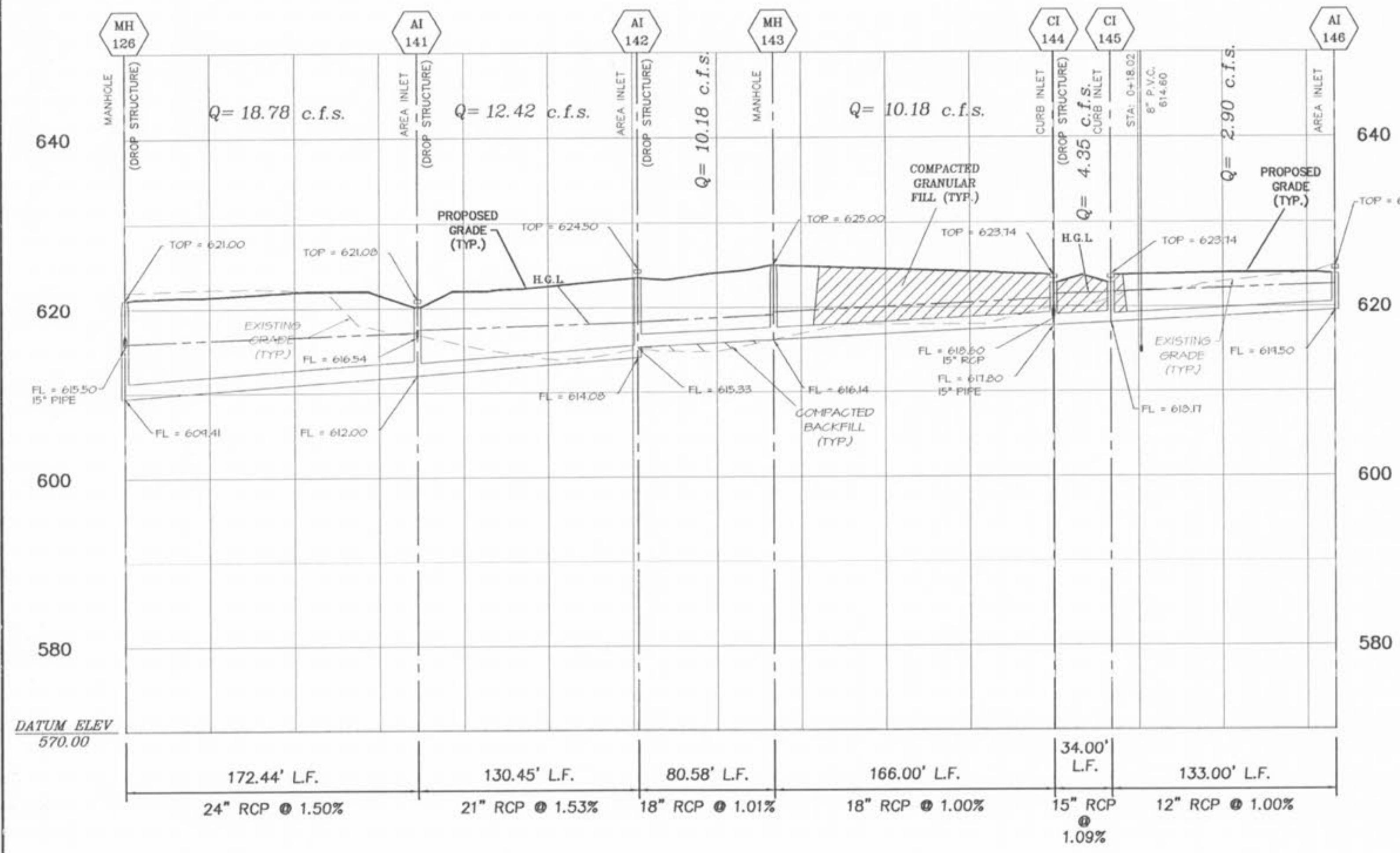
DCI 127-DCI 127A



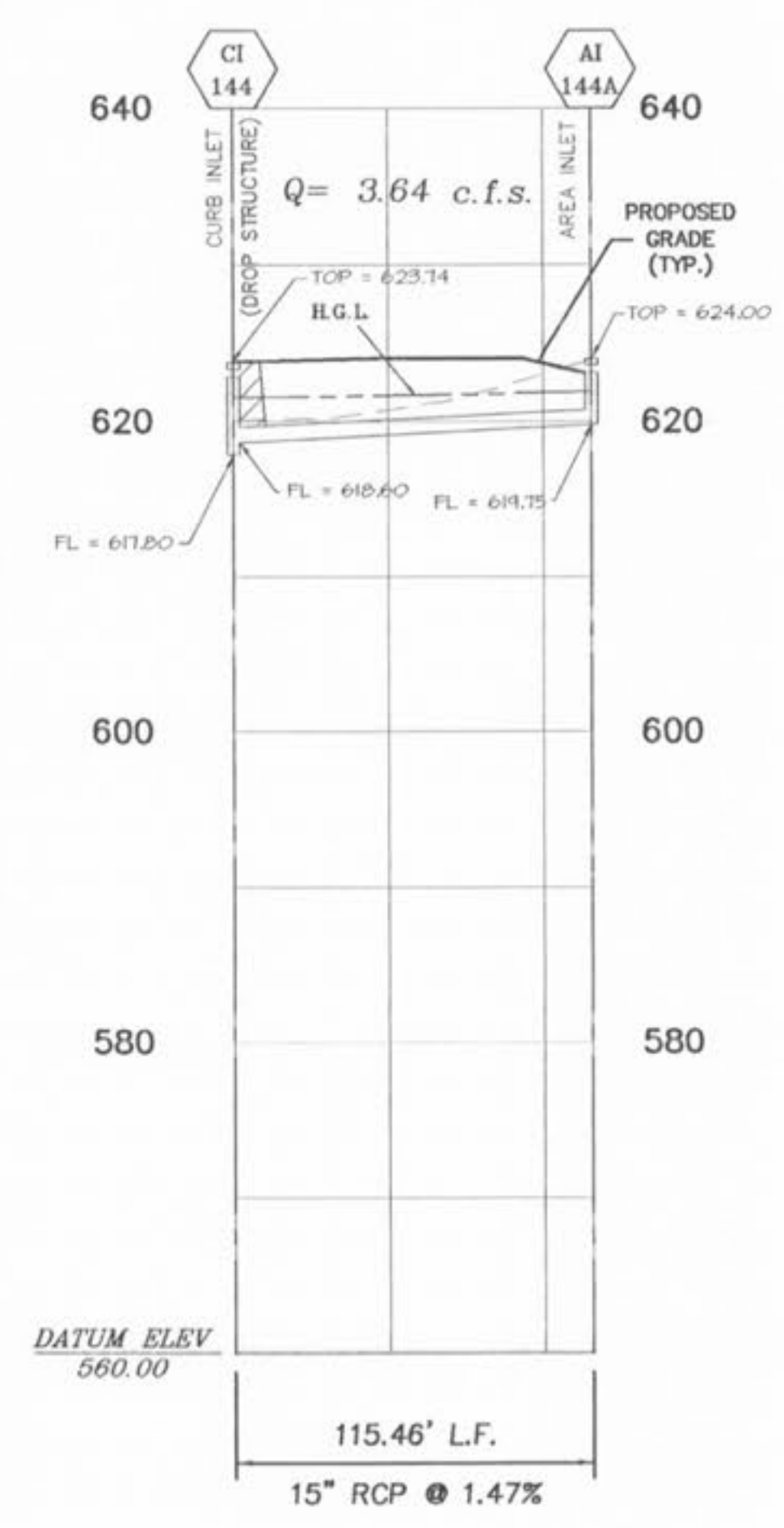
FE 150-EOP 153



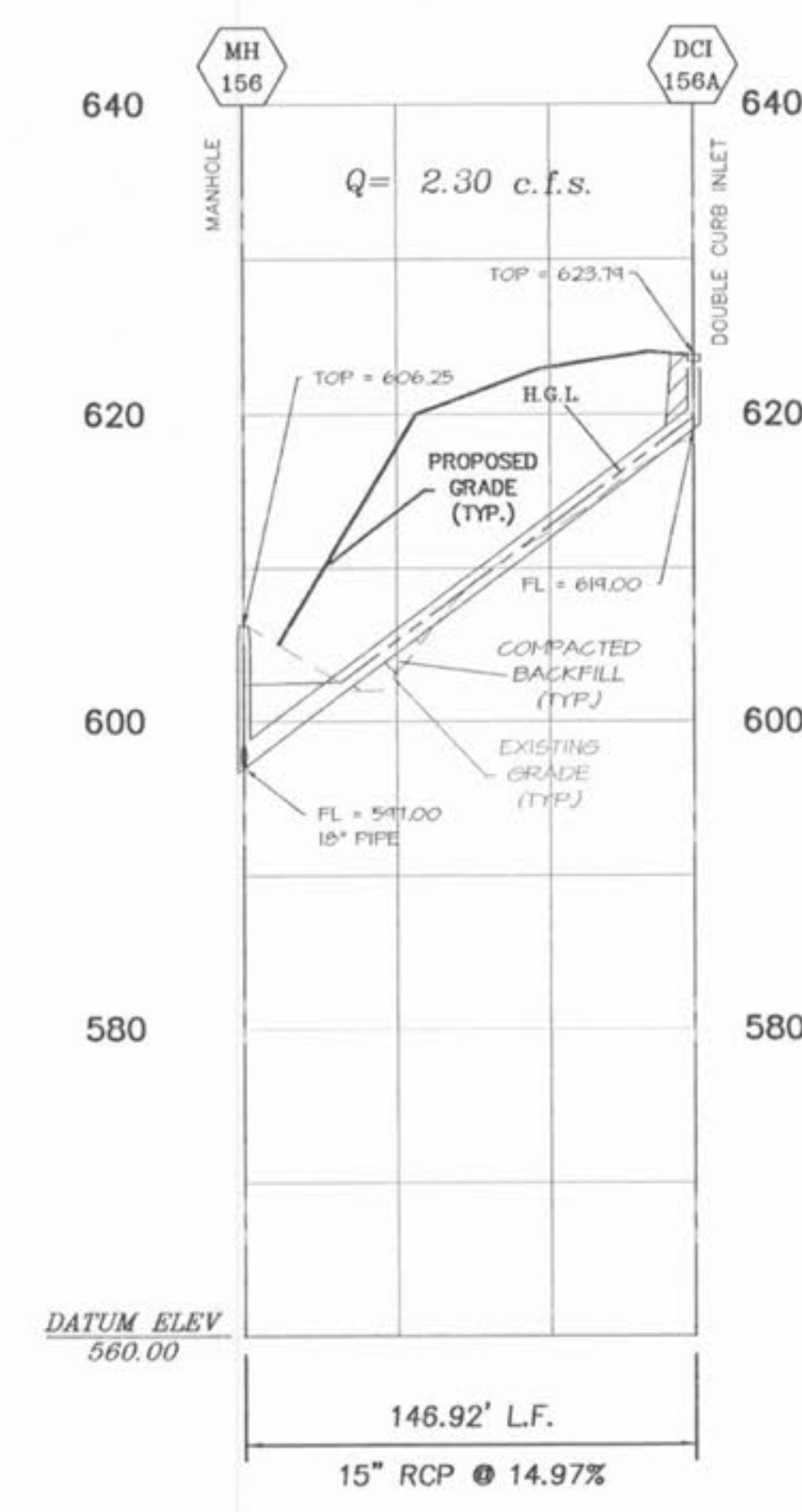
MH 126-AI 146



CI 144-AI 144A



MH 156-DCI 156A



CI 147-CI 147A

