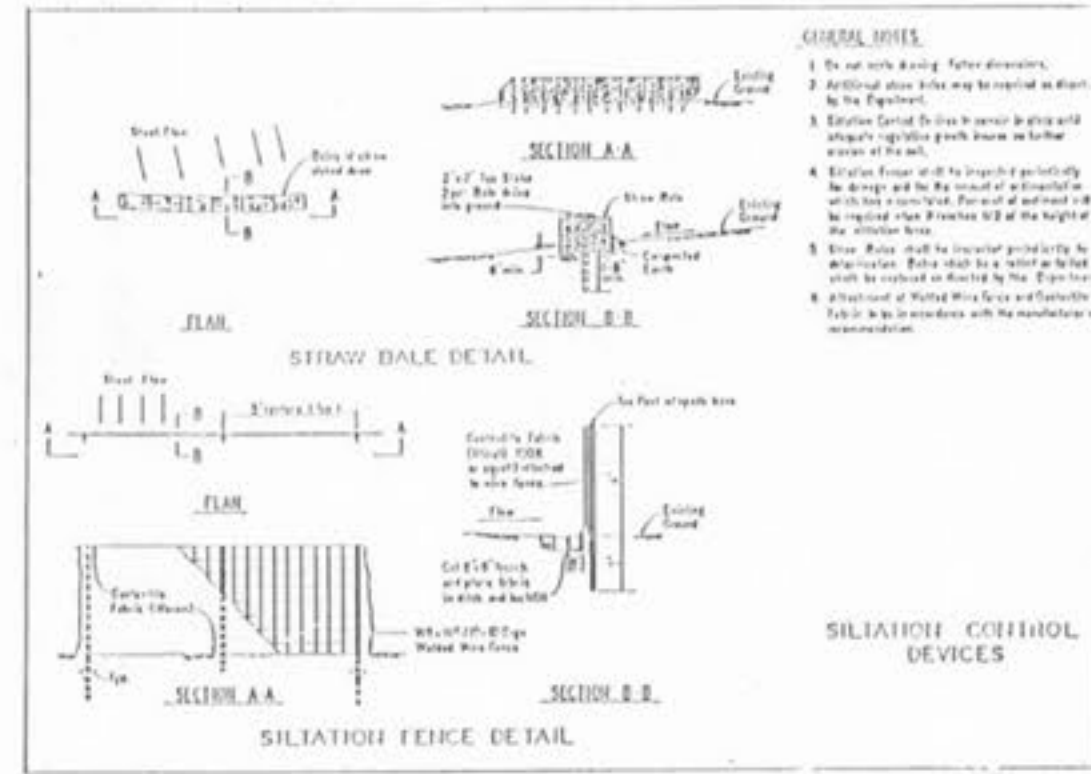
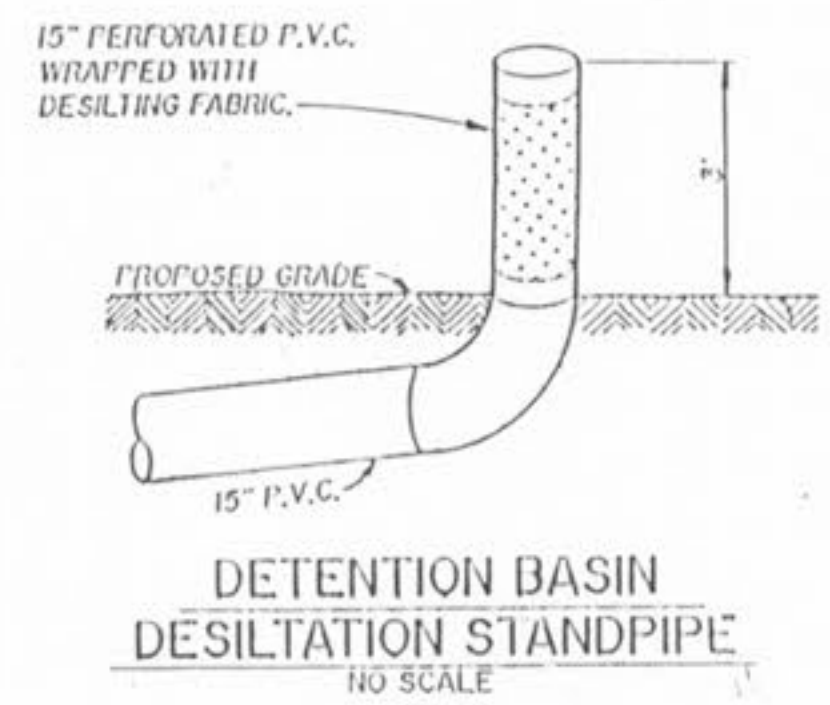
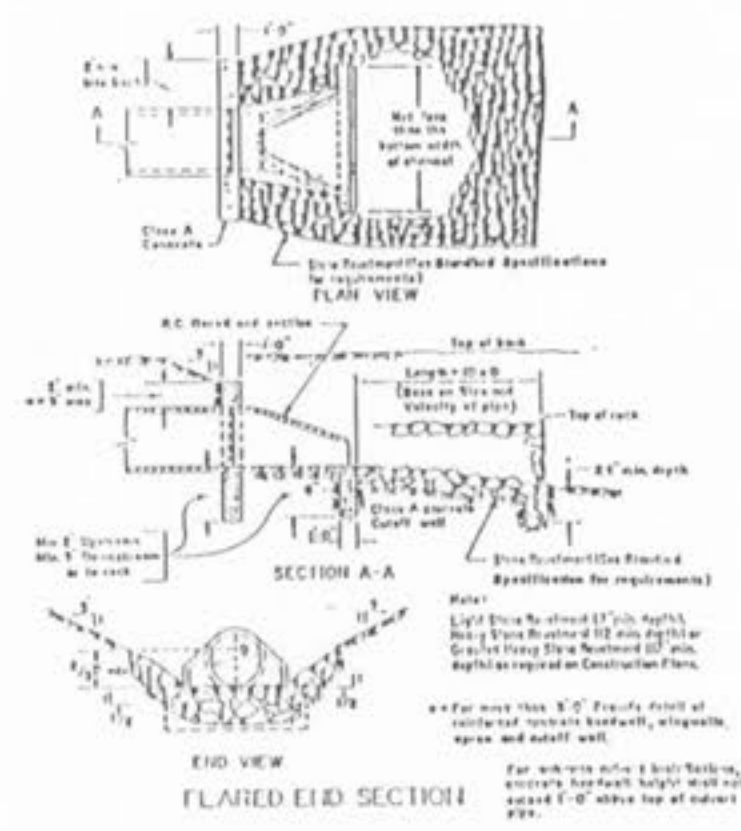


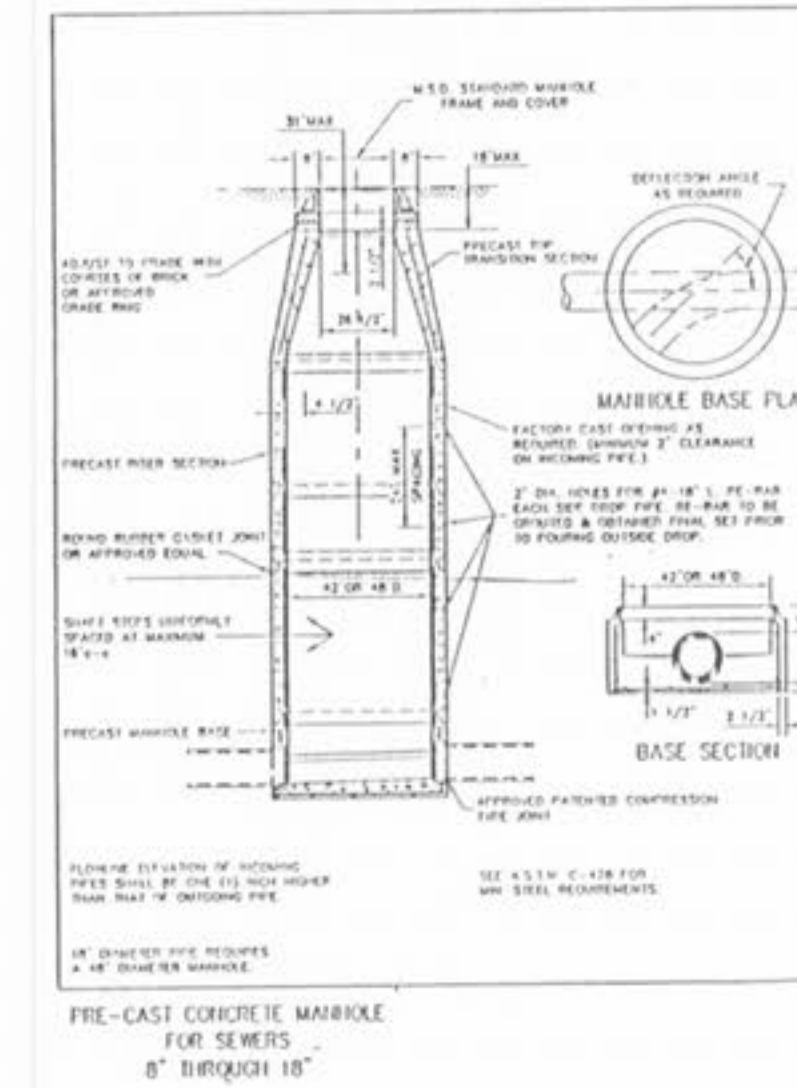
CONCRETE SWALE DETAIL
NO SCALE



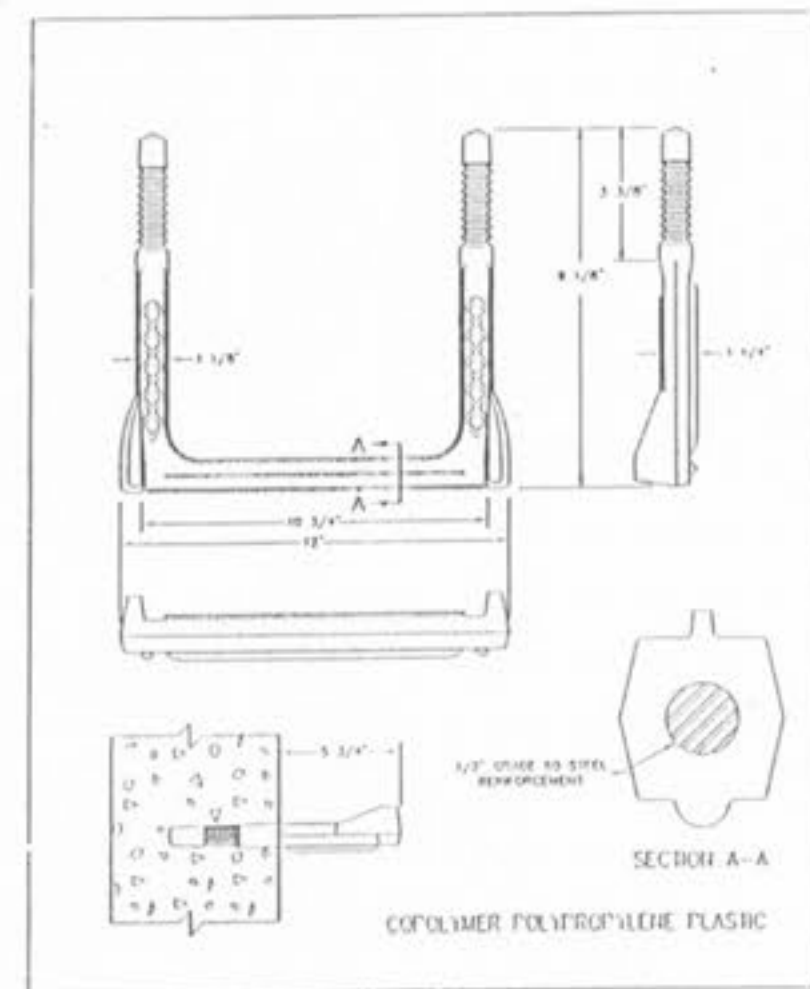
- GENERAL NOTES:**
1. Do not work during heavy rain.
 2. Additional notes may be required in future.
 3. Erosion Control Fabric to be installed in accordance with manufacturer's instructions.
 4. Erosion Control Fabric to be installed in accordance with manufacturer's instructions.
 5. Erosion Control Fabric to be installed in accordance with manufacturer's instructions.
 6. Erosion Control Fabric to be installed in accordance with manufacturer's instructions.
 7. Erosion Control Fabric to be installed in accordance with manufacturer's instructions.
 8. Erosion Control Fabric to be installed in accordance with manufacturer's instructions.
 9. Erosion Control Fabric to be installed in accordance with manufacturer's instructions.
 10. Erosion Control Fabric to be installed in accordance with manufacturer's instructions.



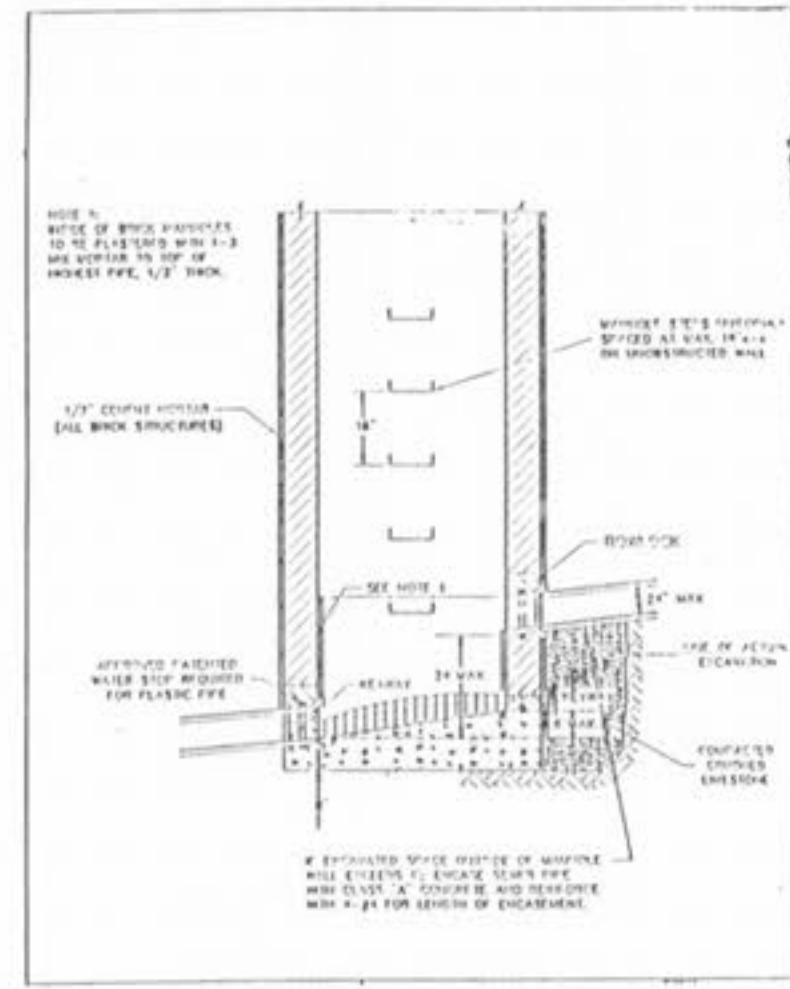
DETENTION BASIN
DESILTATION STANDPIPE
NO SCALE



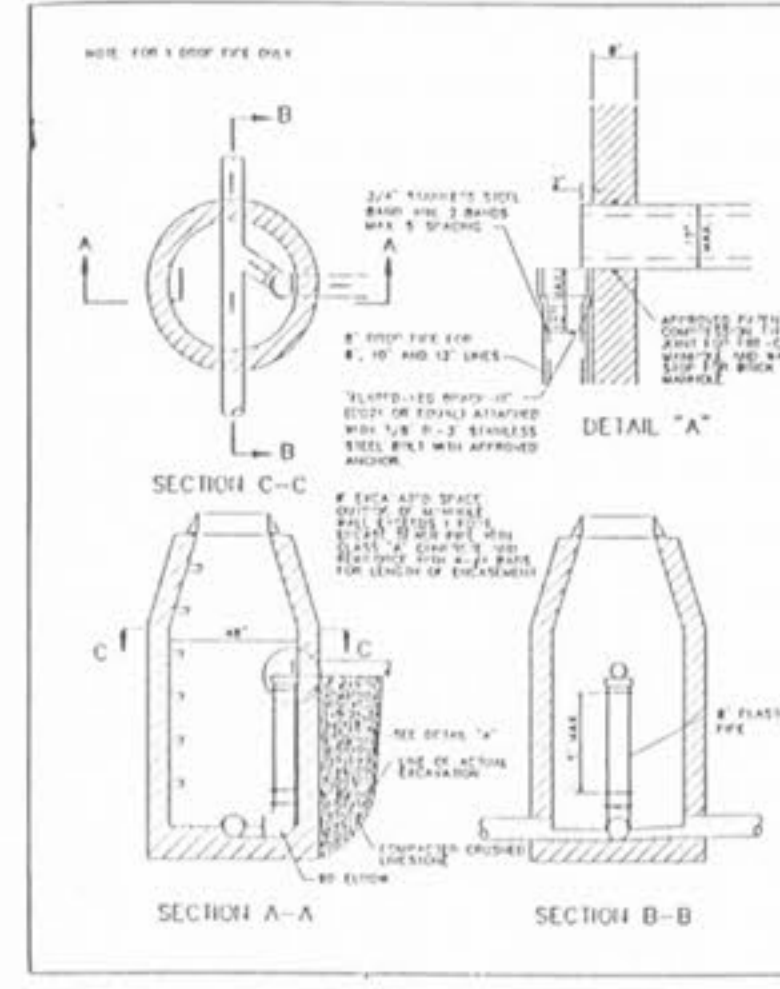
FREE-CAST CONCRETE MANHOLE
FOR SEWERS
8" THROUGH 18"



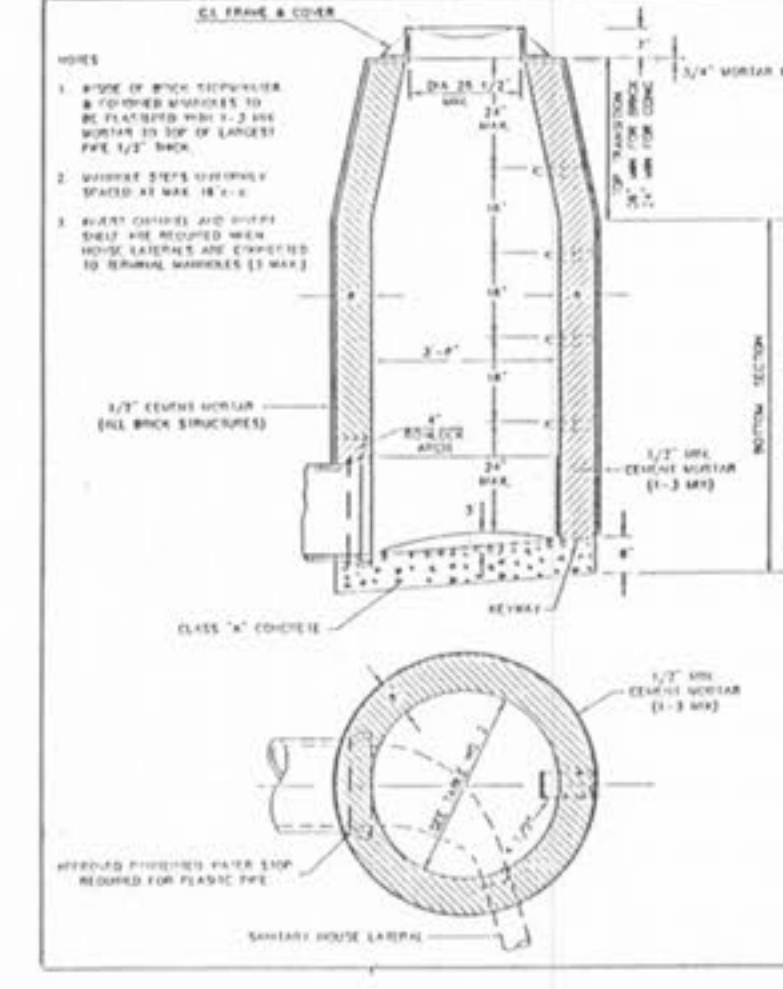
MANHOLE SLEEF FOR
PRECAST MANHOLE



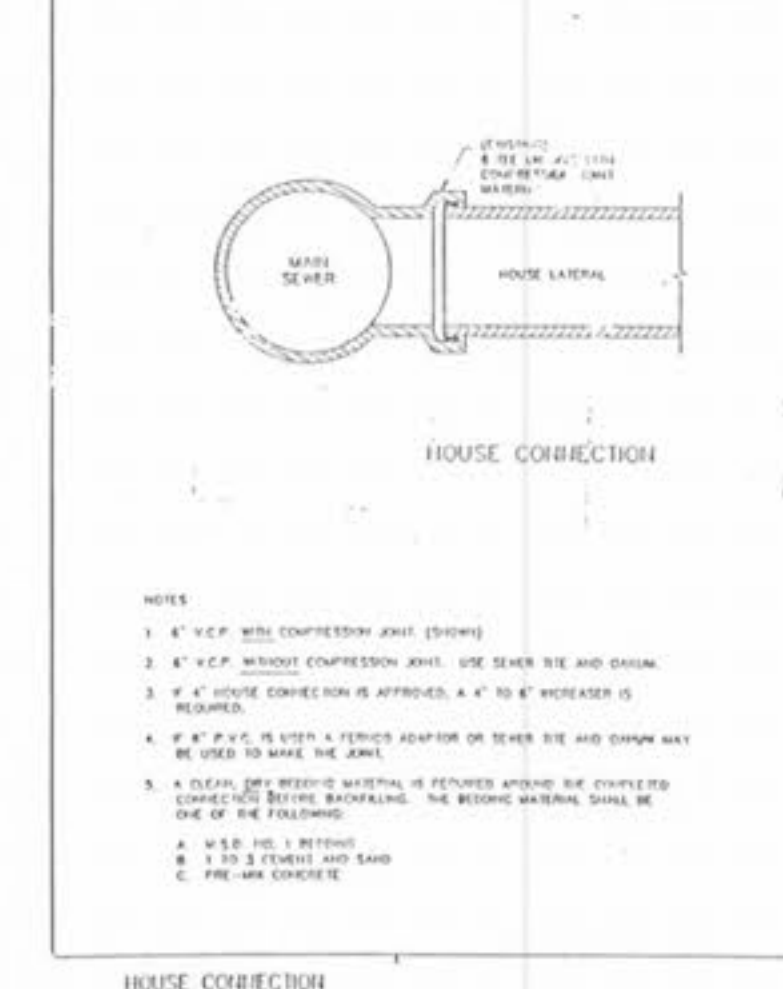
RIDGE FOR WATER
DROPP MANHOLE
(FOR FREE-FALL)



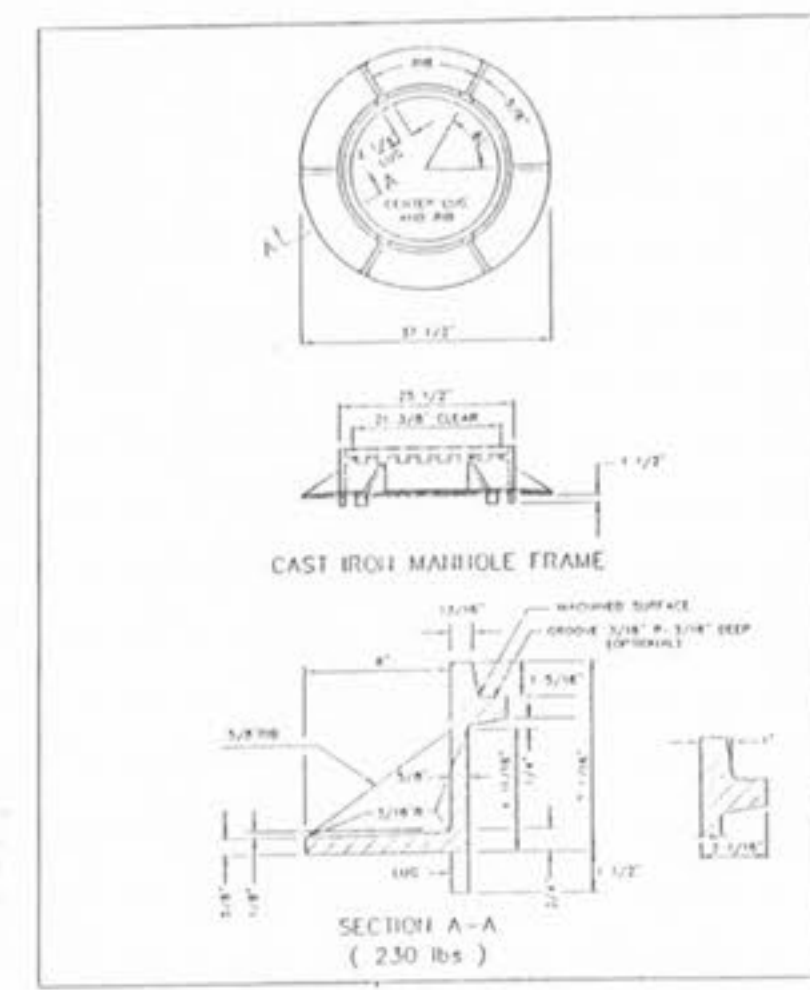
RIDGE FOR WATER
DROPP MANHOLE



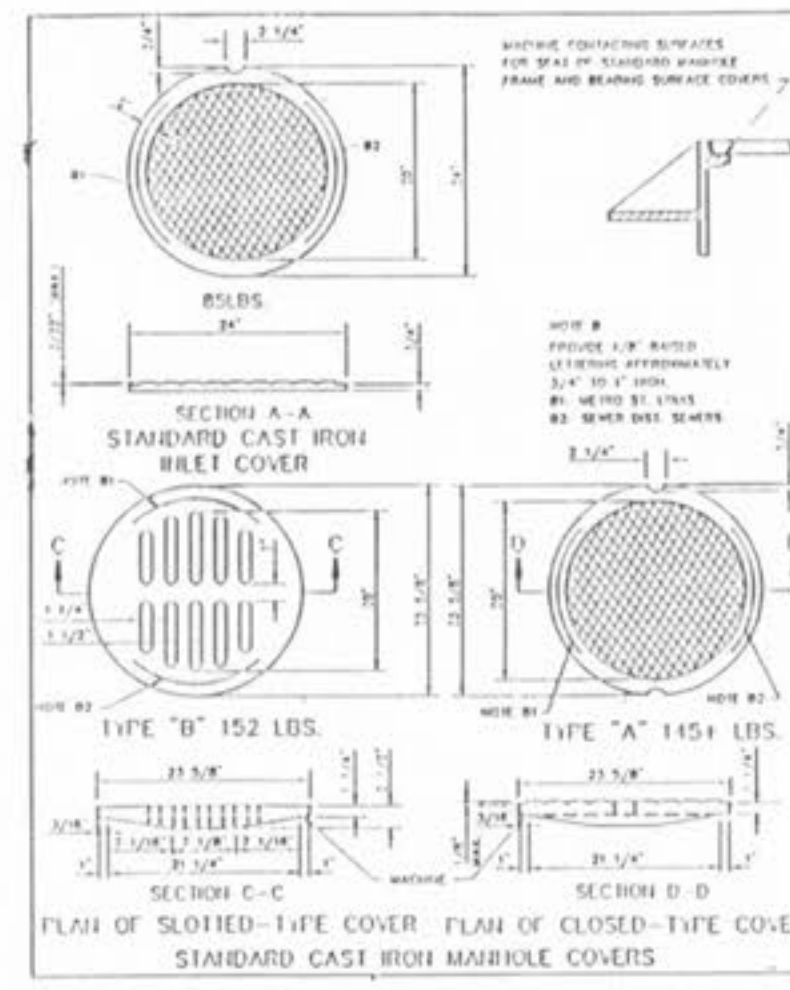
TERMINAL MANHOLE



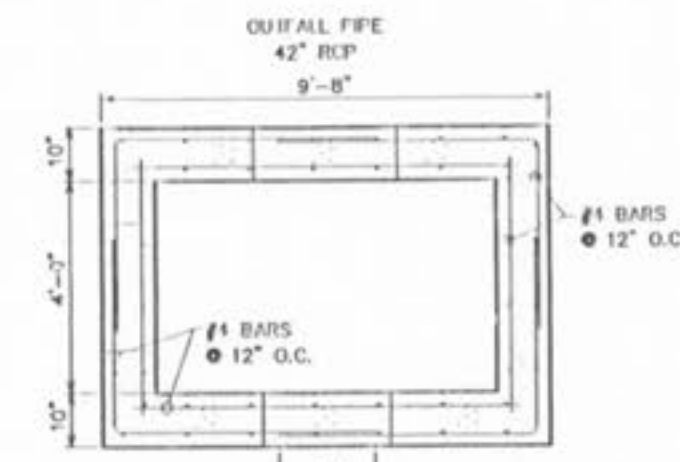
HOUSE CONNECTION
TO EXISTING
ILE OR WYE



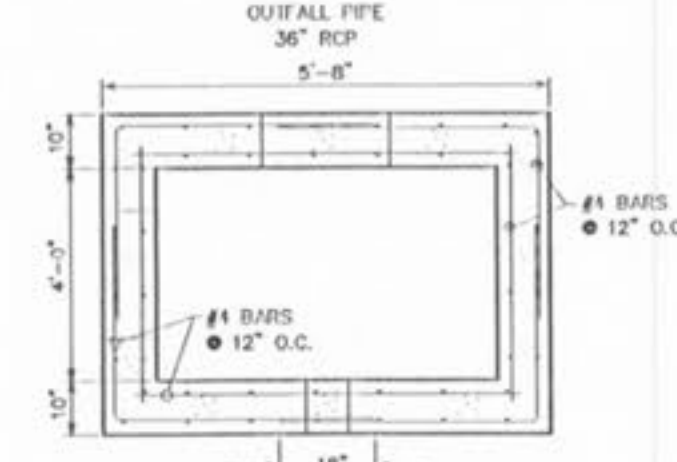
CAST IRON MANHOLE
FRAME



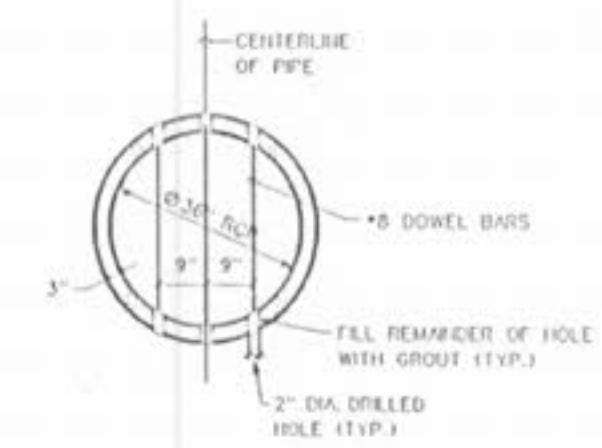
CAST IRON COVERS
MANHOLES AND BREEIS



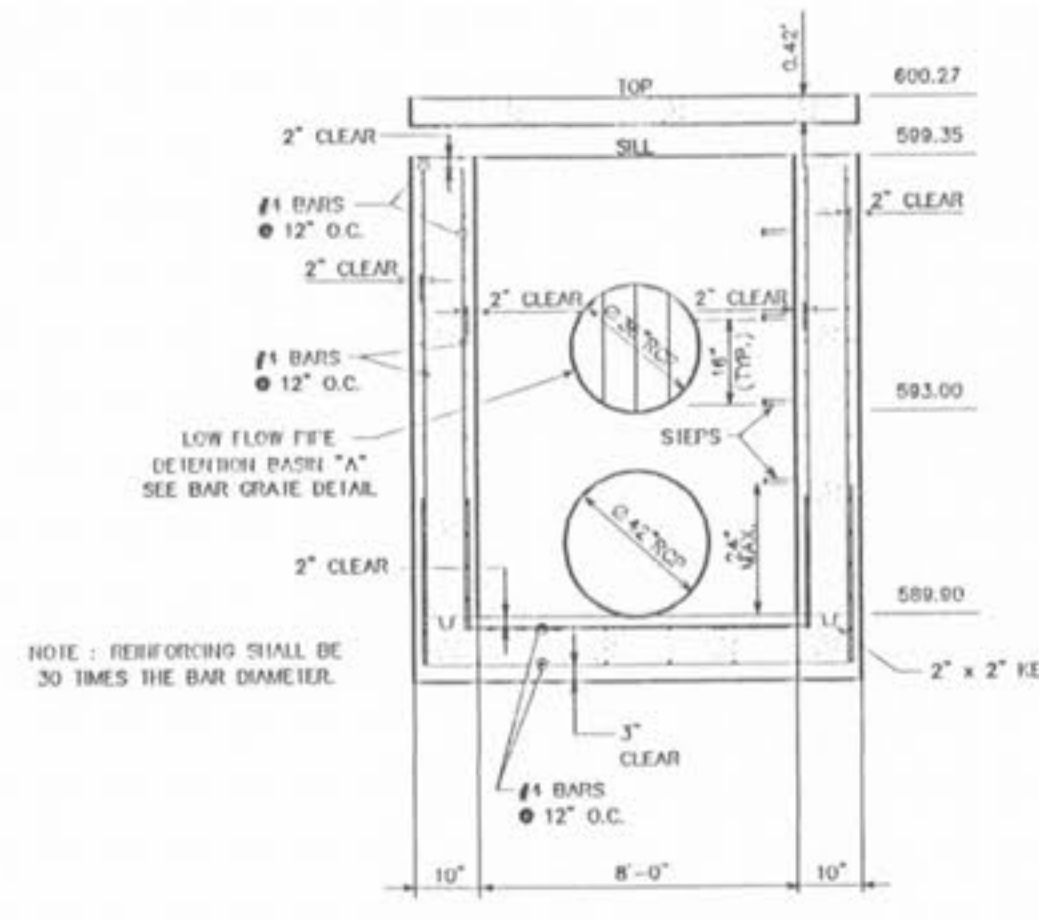
TOP VIEW
No Scale



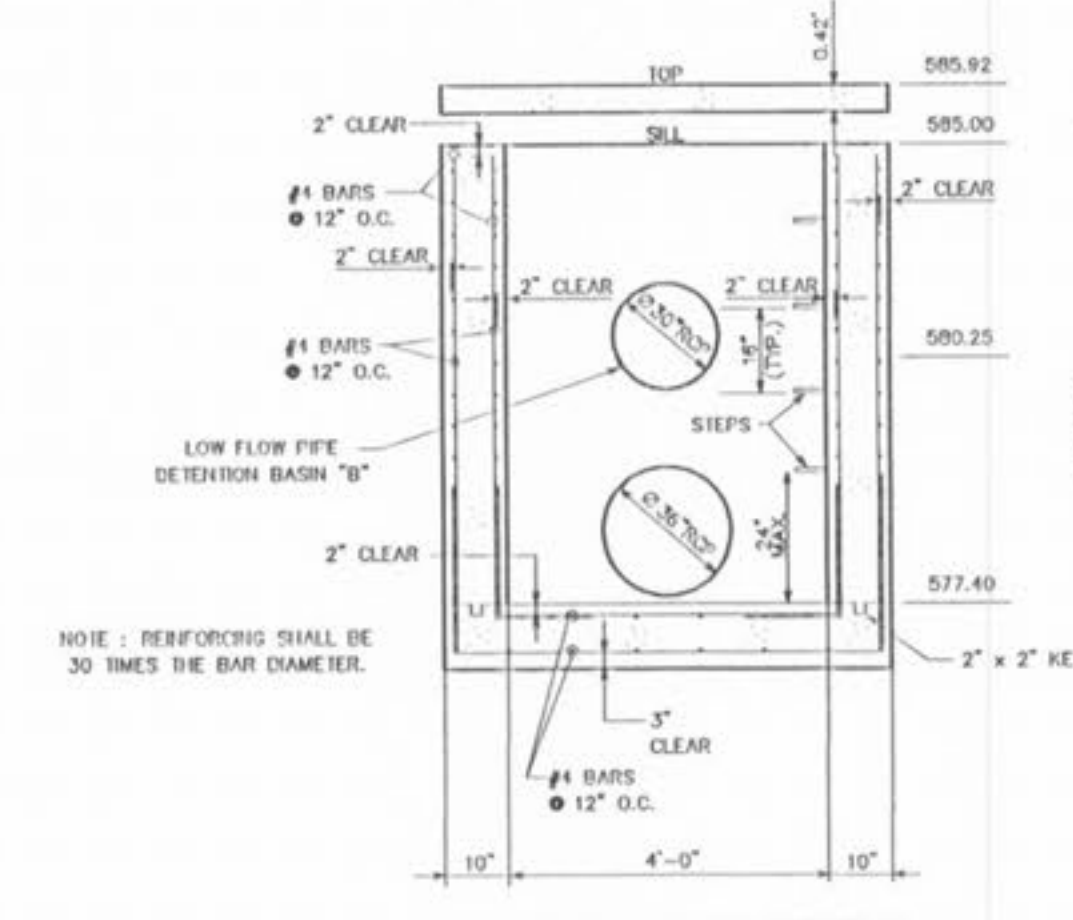
TOP VIEW
No Scale



BAR GRATE DETAIL
No Scale



OVERFLOW STRUCTURE #185
No Scale



OVERFLOW STRUCTURE #2
No Scale

SITE DEVELOPMENT
 ENGINEERING, INC.
 1400 SOUTH LINDBERGH BLVD., SUITE 5, ST. LOUIS, MISSOURI 63127 (314) 848-7900
 PLANNING
 SURVEYING
 CIVIL ENGINEERING
SUNSET RIDGE ESTATES
 DATE: 4/10/88 JOB NO.: 95-541 DRAWN BY: TWF
 DESIGN: JOY SCALE: NONE
DETAIL SHEET
 REV: SHEET: 55 OF 56