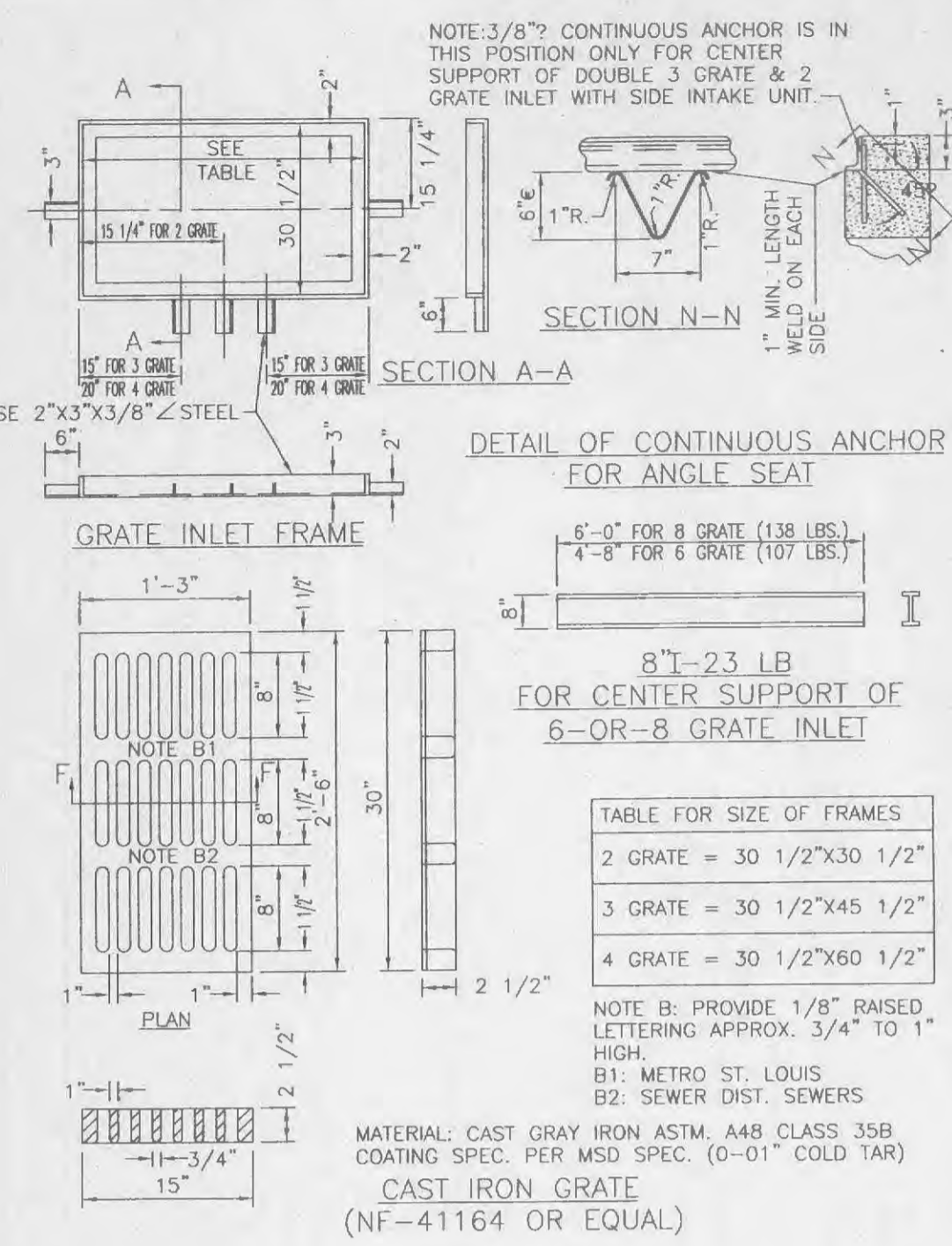
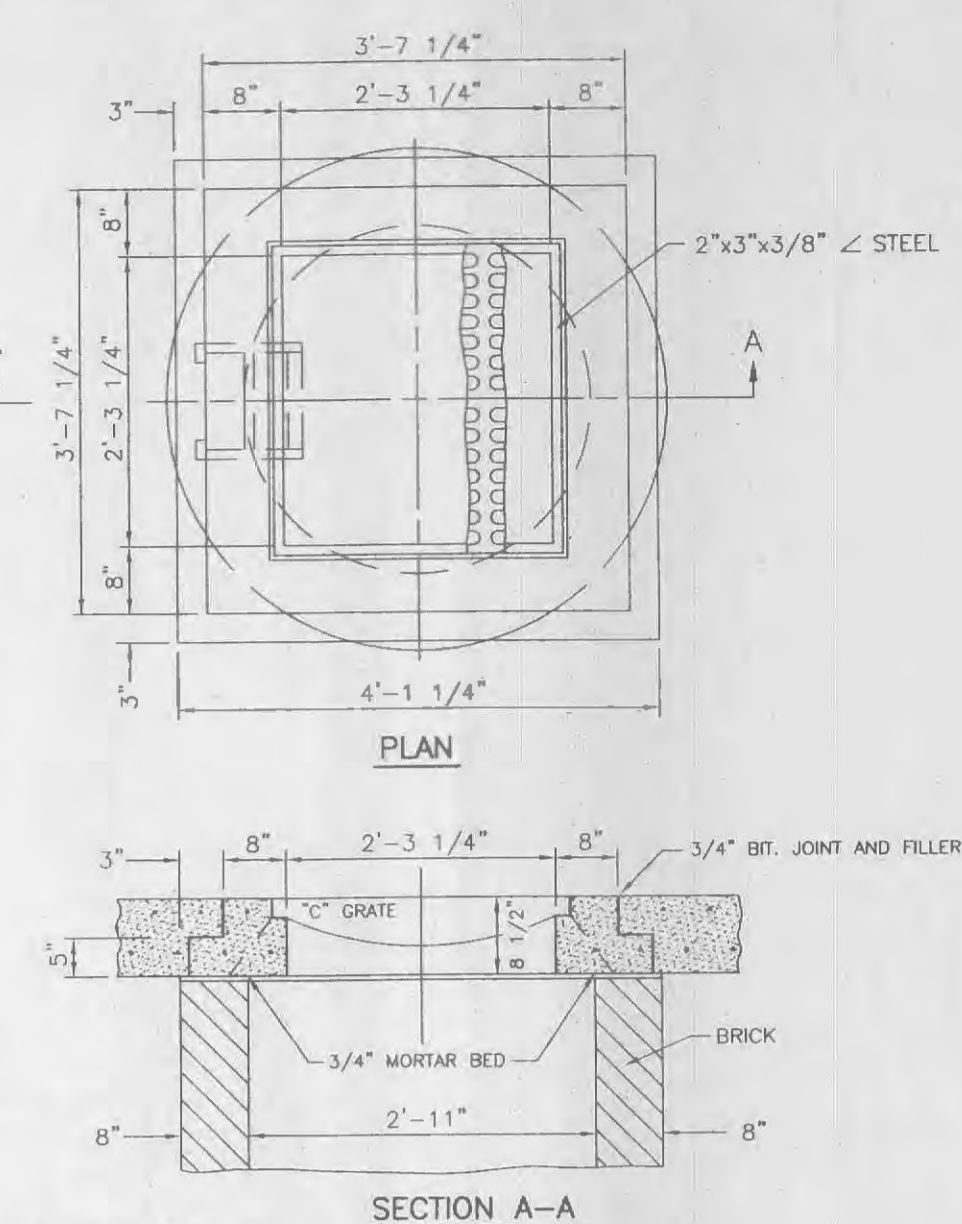


ROUND PIPE				HORIZONTAL ELLIPTICAL PIPE			
Inside Diameter of Pipe (Inches)	Payline Width of Trench (Inches)	Payline Width of Trench (Feet)	Pay-volumes cu. ft. per ft.	Inside Diameter of Pipe (Inches)	Payline Width of Trench (Inches)	Payline Width of Trench (Feet)	Pay-volumes cu. ft. per ft.
4	28	2.33	3.20				
6	28	2.33	3.46				
8	28	2.33	3.70				
10	28	2.33	3.86				
12	28	2.33	3.98				
15	32	2.67	4.89				
18	35	2.92	5.63	14 X 23	41	3.42	5.94
21	39	3.25	6.61				
24	42	3.50	7.39	19 X 30	49	4.08	7.68
27	45	3.75	8.16	22 X 34	53	4.42	8.61
30	49	4.08	9.30	24 X 38	58	4.83	9.70
33	53	4.42	10.53	27 X 42	62	5.17	10.71
36	56	4.67	11.43	29 X 45	66	5.50	11.72
39	DISCONTINUED			32 X 49	71	5.92	13.14
42	63	5.25	13.38	34 X 53	75	6.25	14.05
48	70	5.83	15.67	38 X 60	83	6.92	16.18
54	77	6.42	18.15	43 X 68	92	7.67	18.81
60	84	7.00	20.73	48 X 76	101	8.42	21.59
66	91	7.58	23.45	53 X 83	109	9.08	24.35
72	98	8.17	26.37	58 X 91	118	9.83	27.45
78	105	8.75	29.39	63 X 98	126	10.50	30.50
84	112	9.33	32.57	68 X 106	135	11.25	33.91
90	119	9.92	35.90	72 X 113	143	11.92	36.99
96	126	10.50	39.37	77 X 121	152	12.67	40.69
102	133	11.08	42.99	82 X 128	160	13.33	44.45
108	140	11.67	46.75	87 X 136	168	14.00	47.79
114	147	12.25	50.66	92 X 143	176	14.67	51.70
120	154	12.83	54.72	97 X 151	185	15.42	56.01
126	161	13.42	58.92				
132	168	14.00	63.27	106 X 166	202	16.83	64.48
144	182	15.17	72.40	116 X 180	218	18.17	73.59

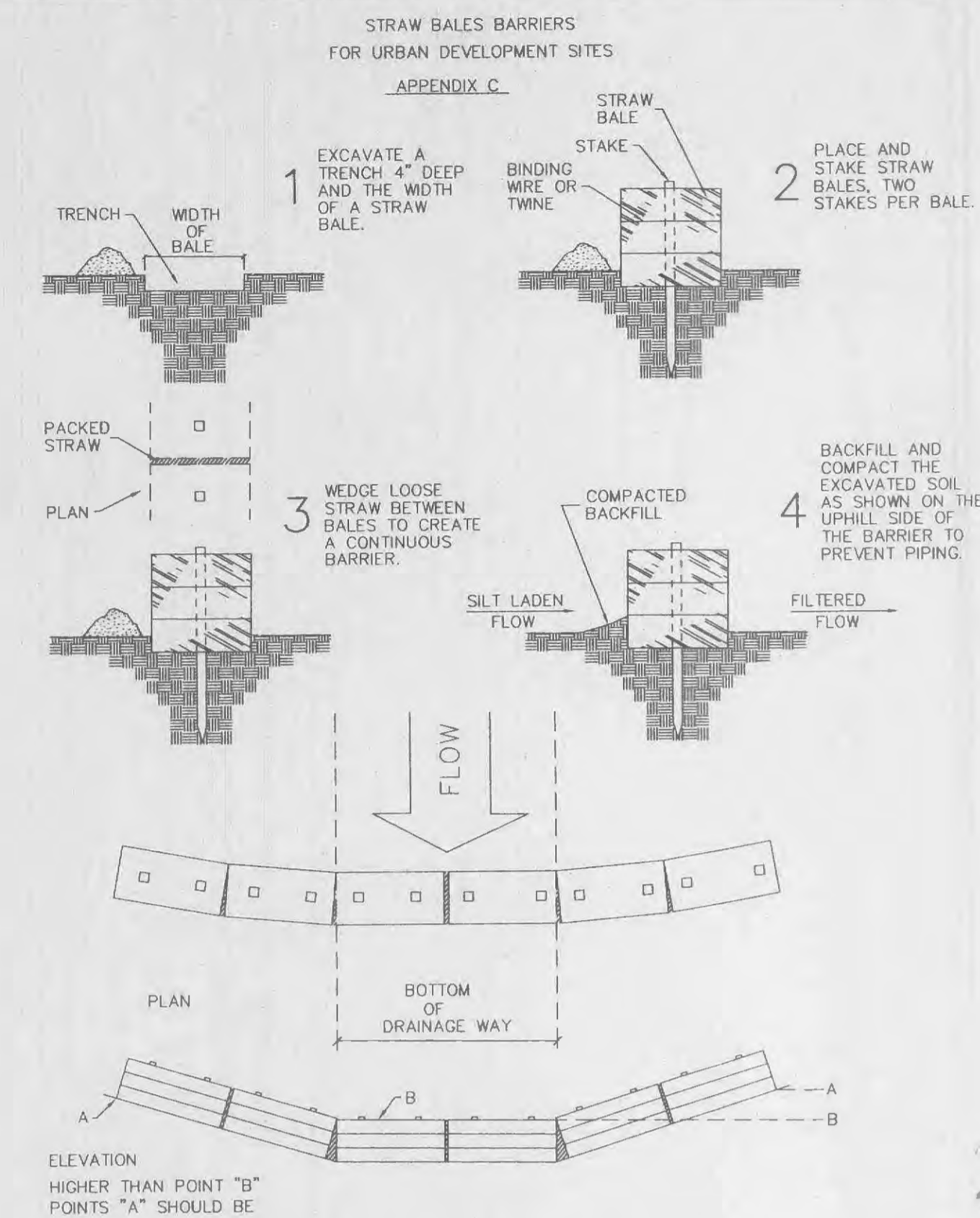
TABLE NO. 1
PAYLINE WIDTHS OF TRENCH AND
PAY-QUANTITIES OF CONCRETE



DETAILS OF INLET FRAME AND GRATES

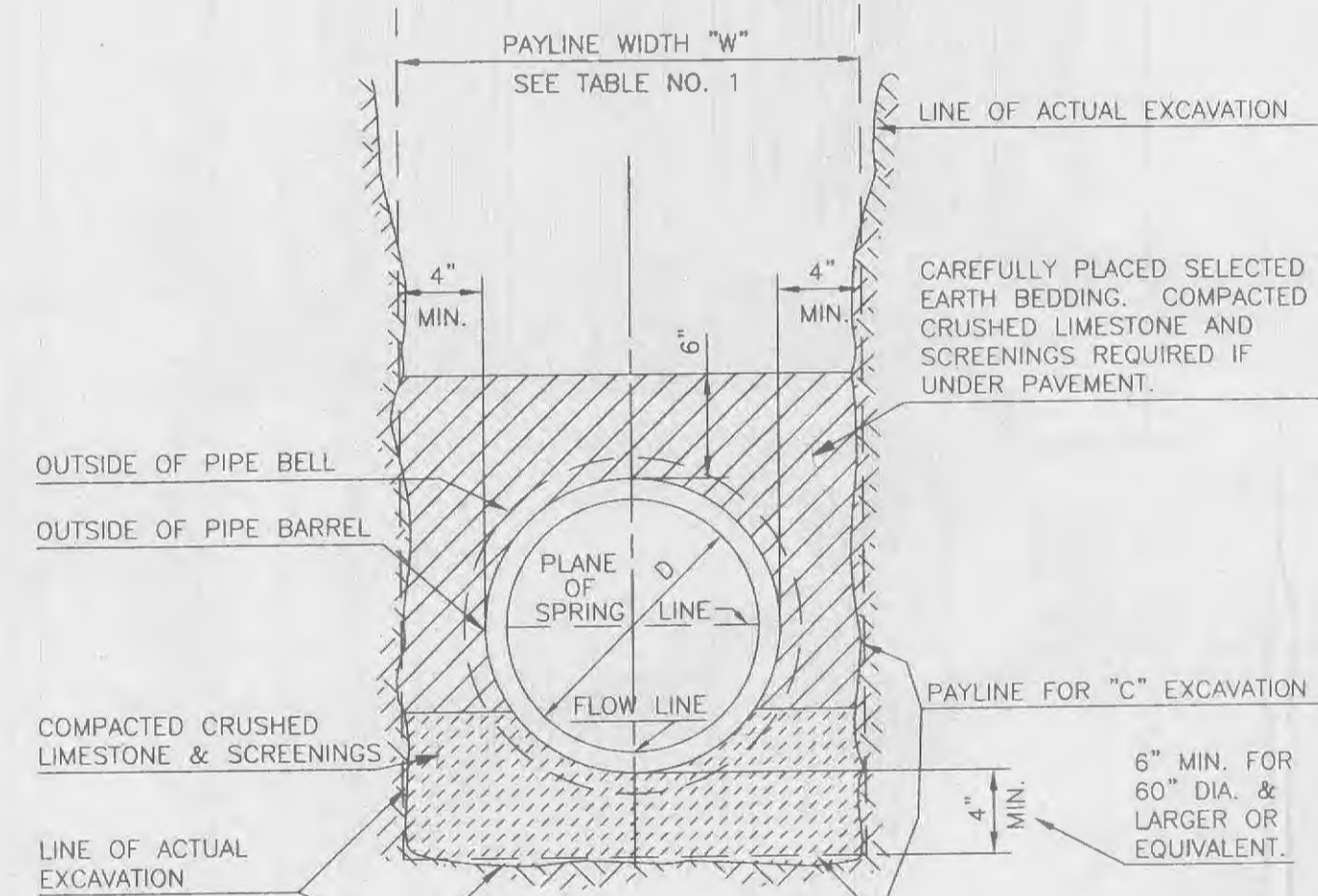


2 GRATE INLET

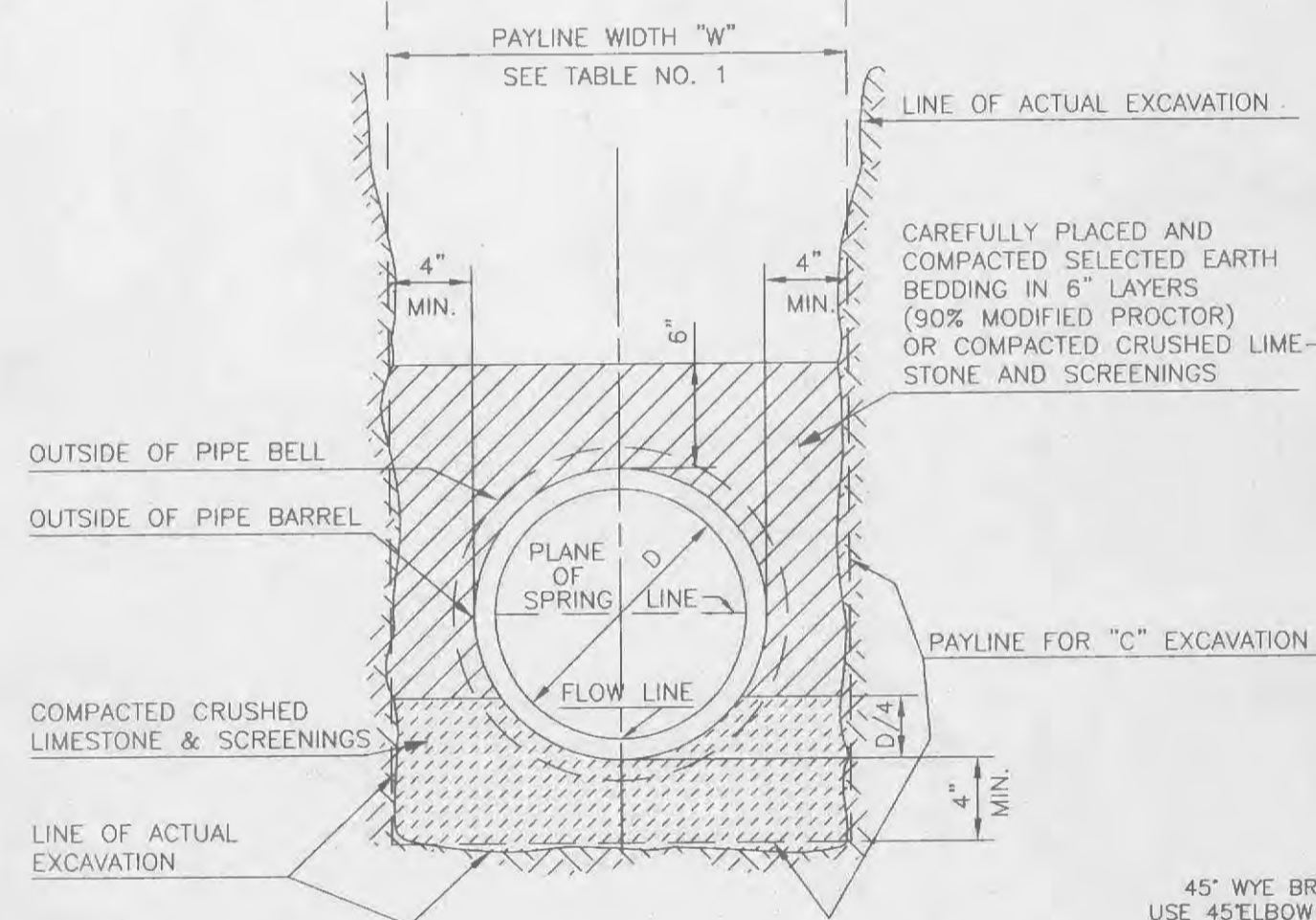


1. FILTER BARRIERS SHALL BE INSPECTED IMMEDIATELY AFTER EACH RAINFALL AND AT LEAST DAILY DURING PROLONGED RAINFALL. ANY REQUIRED REPAIRS SHALL BE MADE IMMEDIATELY.
2. SHOULD THE FABRIC DECOMPOSE OR BECOME INEFFECTIVE PRIOR TO THE END OF THE EXPECTED USABLE LIFE AND THE BARRIER STILL BE NECESSARY, THE FABRIC SHALL BE REPLACED PROMPTLY.
3. SEDIMENT DEPOSITS SHOULD BE REMOVED AFTER EACH STORM EVENT. THEY MUST BE REMOVED WHEN DEPOSITS REACH APPROXIMATELY HALF THE HEIGHT OF THE BARRIER.
4. ANY SEDIMENT DEPOSITS REMAINING IN PLACE AFTER THE SILT FENCE OR FILTER BARRIER IS NO LONGER REQUIRED SHALL BE DRESSED TO CONFORM WITH THE EXISTING GRADE, PREPARED AND SEDED.

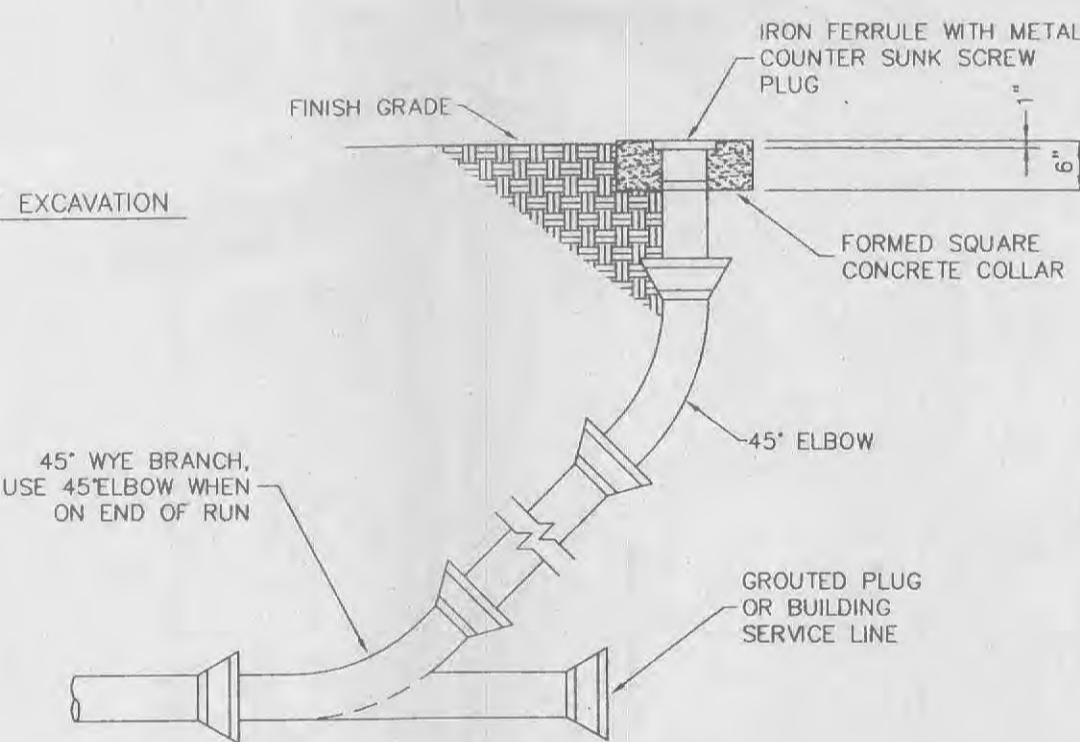
SILTATION FENCE DETAIL
NOT TO SCALE



PIPE BEDDING CLASS "C"
(MODIFIED FOR REINFORCED
CONCRETE PIPE)

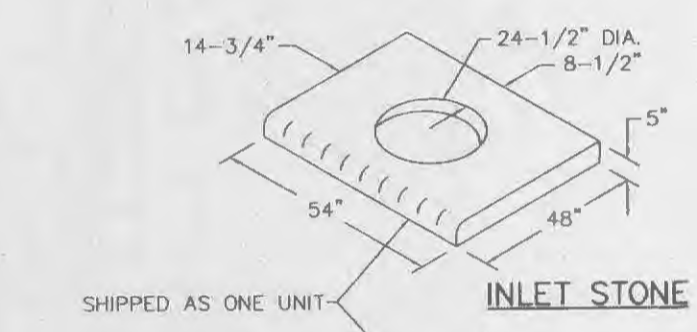


PIPE BEDDING CLASS "C"
(FOR ALL PIPE EXCEPT
REINFORCED CONCRETE PIPE)

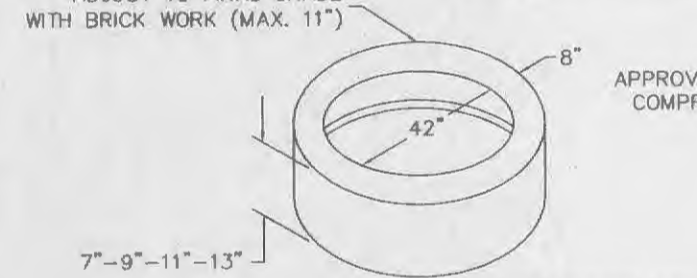


SEWER CLEANOUT
NOT TO SCALE

CONCRETE OR CAST IRON COVER

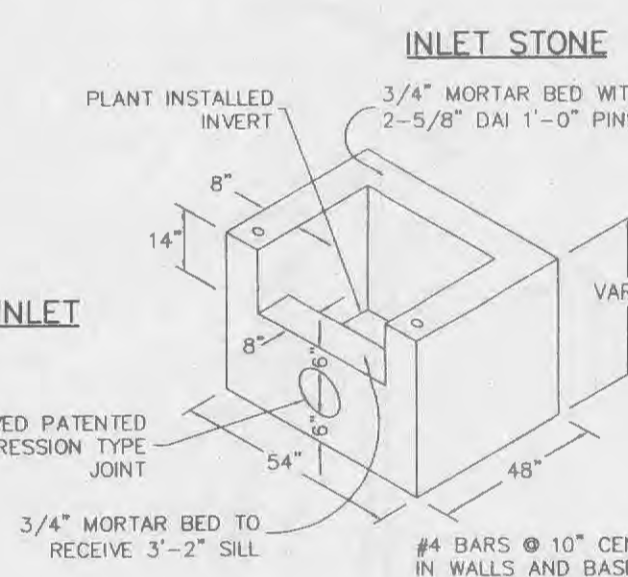


SINGLE CURB INLET



INLET BASE &
INLET MANHOLE BASE

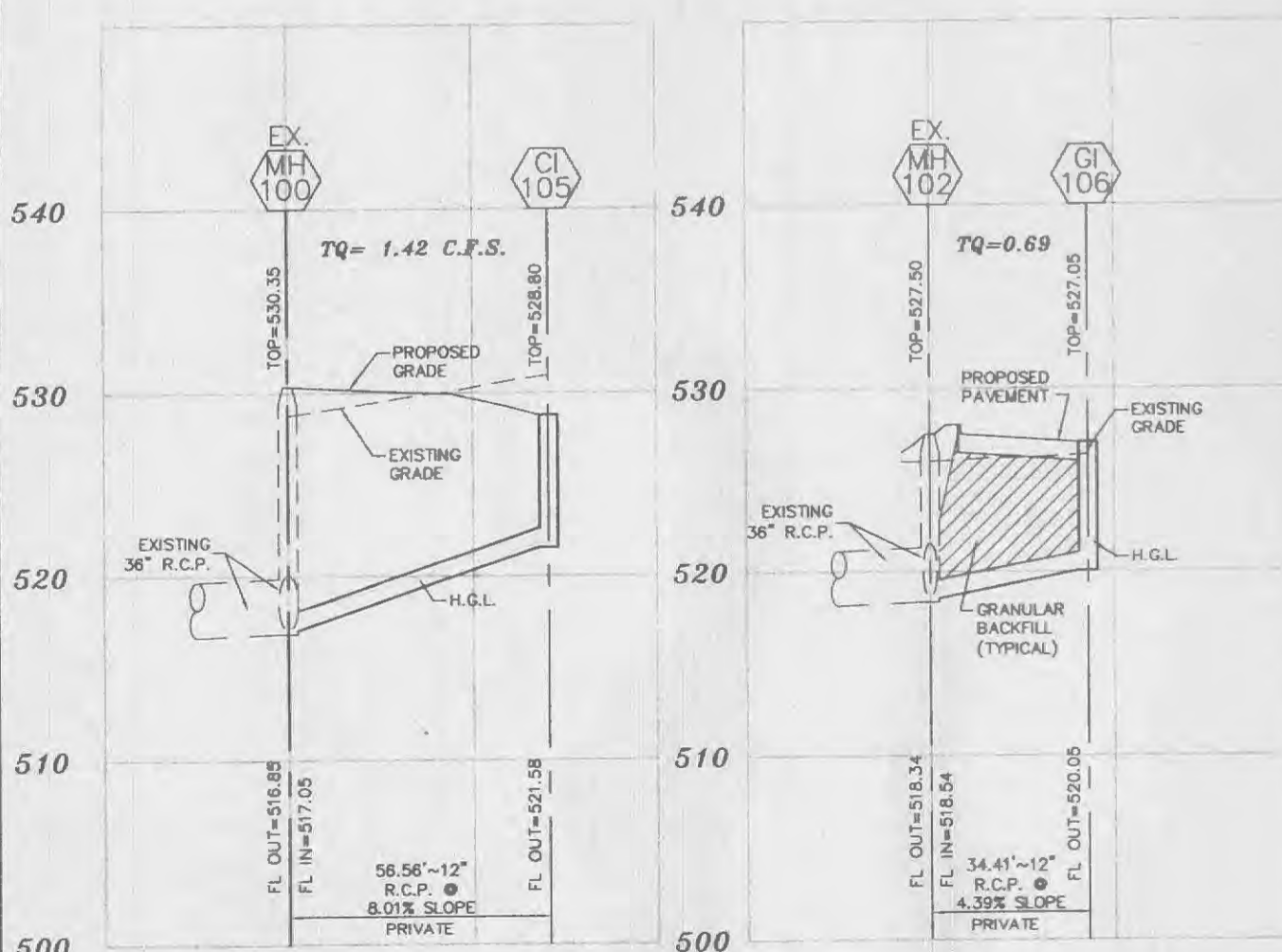
SHALLOW SINGLE CURB INLET



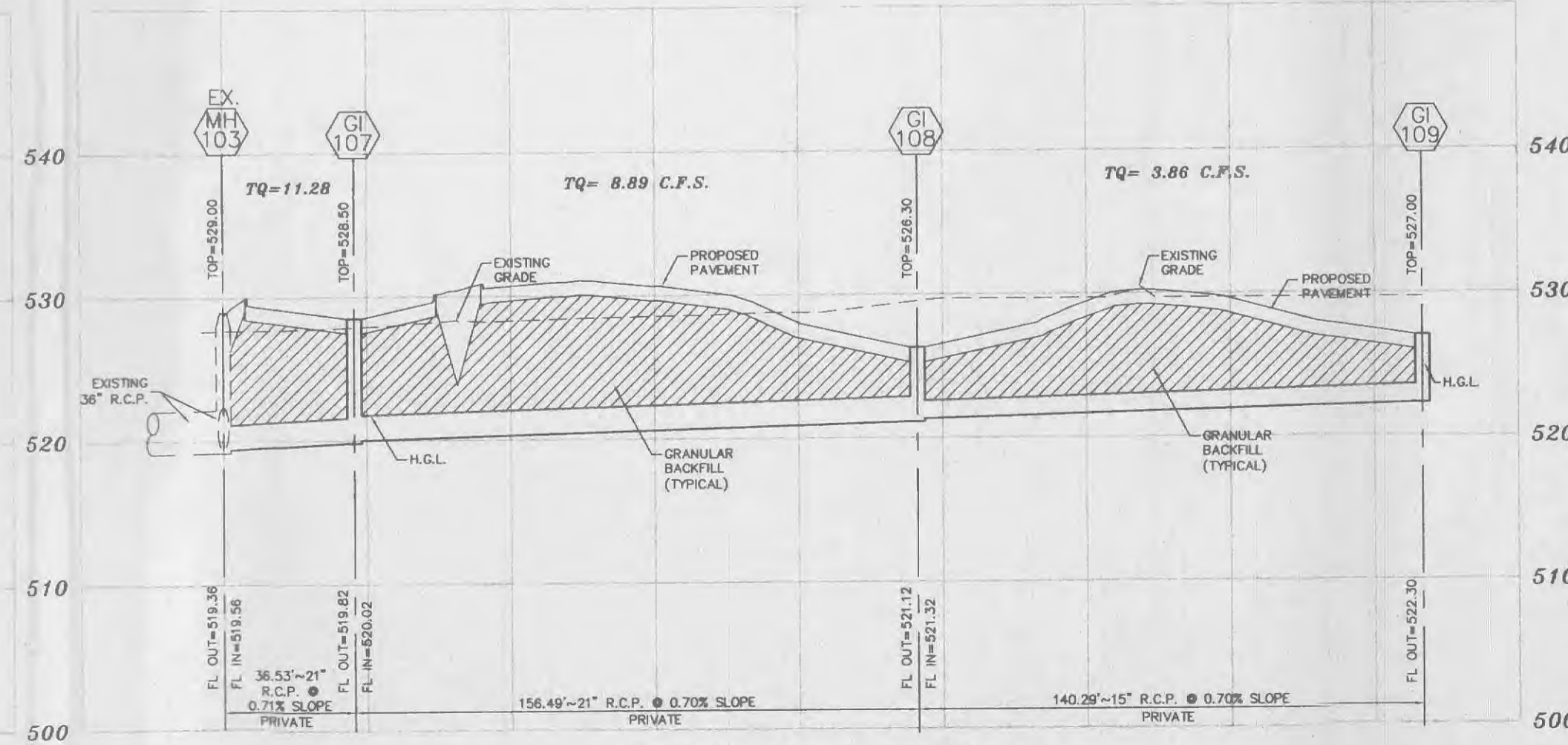
CONSTRUCTION SPECIFICATIONS

1. Stone Size - Use 2" stone, or reclaimed or recycled concrete equivalent.
2. Length - As required, but not less than 50 feet (except on a single residence lot where a 30 foot minimum length would apply).
3. Thickness - Not less than six (6) inches.
4. Width - Twenty (20) foot minimum, but not less than the full width at points where ingress or egress occurs.
5. Filter Cloth - Will be placed over the entire area prior to placing of stone. Filter will not be required on a single family residence lot.
6. Surface Water - All surface water flowing or diverted toward construction entrances shall be piped across the entrance. If piping is impractical, a mountable berm with 5:1 slope will be permitted.
7. Maintenance - The entrance shall be maintained in a condition which will prevent tracking or flowing of sediment onto public rights-of-way. This may require periodic top dressing with additional stone as conditions demand and repair and/or cleanout of any measures used to trap sediment. All sediment spilled, dropped, washed or tracked onto public rights-of-way must be removed immediately.
8. Washing - Wheels shall be cleaned to remove sediment prior to entrance onto public rights-of-way. When washing is required, it shall be done on an area stabilized with stone and which drains into an approved sediment trapping device.
9. Periodic inspection and needed maintenance shall be provided after each rain.

STABILIZED CONSTRUCTION ENTRANCE/WASHDOWN AREA
NOT TO SCALE

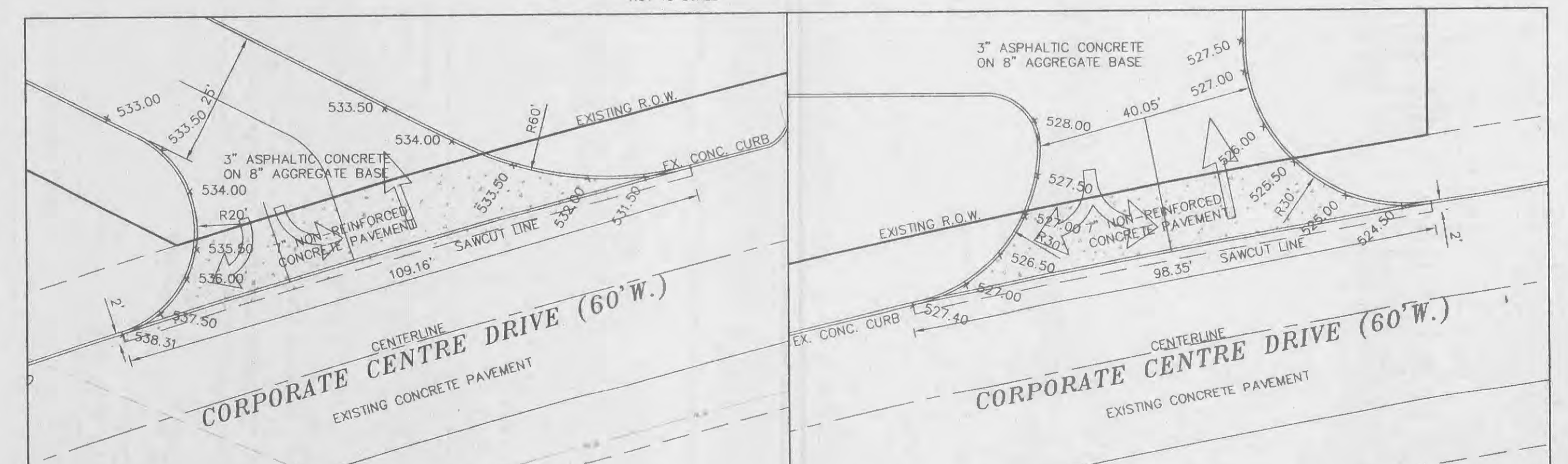


STORM SEWER PROFILES
SCALE: 1"=40' HORIZONTAL
1"=10' VERTICAL



STORM SEWER PROFILES
SCALE: 1"=40' HORIZONTAL
1"=10' VERTICAL

SINGLE STREET INLETS
PRECAST CONCRETE
NOT TO SCALE



ENTRANCE NO. 1
SCALE: 1"=20'

ENTRANCE NO. 2
SCALE: 1"=20'