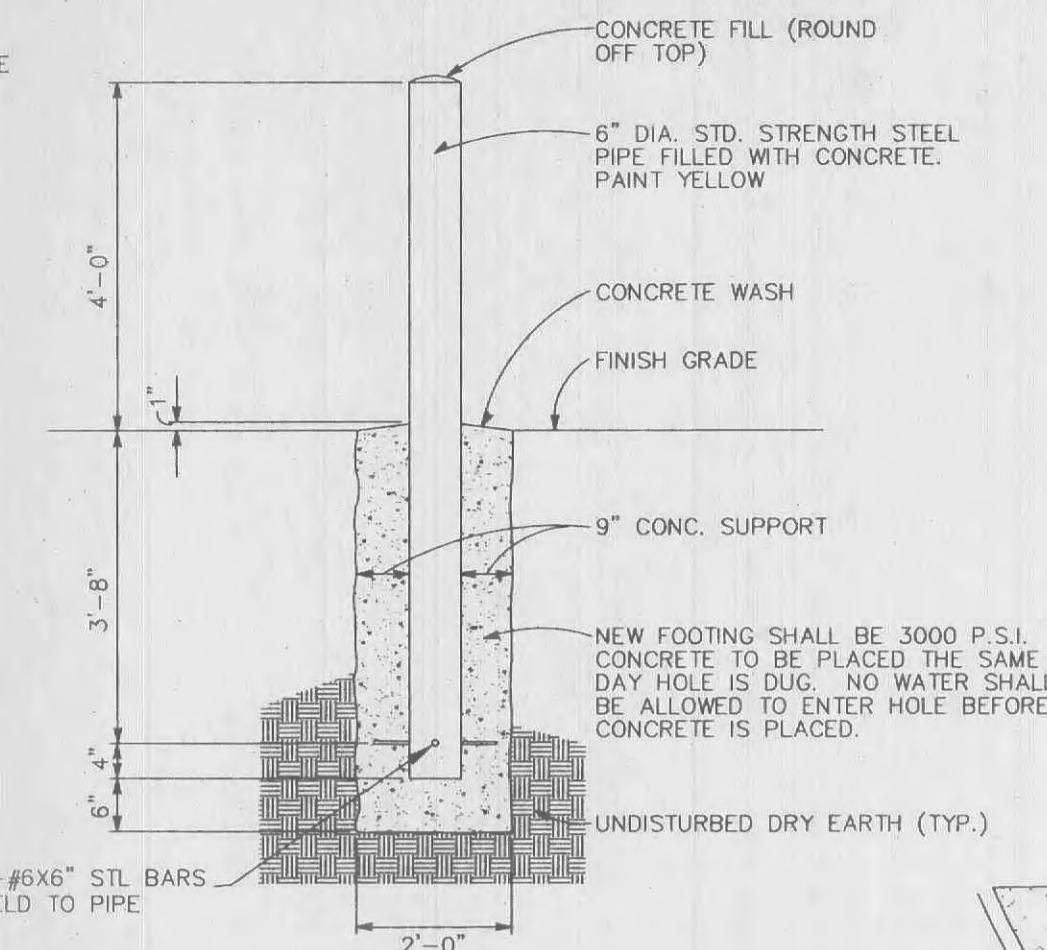


**NOTES:**

1. STRAW BALES, NOT HAY BALES SHALL BE USED.
2. BUTT ENDS OF BALES TIGHTLY TOGETHER.
3. INSTALL BALES WITH BINDING AROUND SIDES, NOT TOP AND BOTTOM.
4. FILL ANY GAP BETWEEN BALES BY WEDGING LOOSE STRAW BETWEEN THEM.

**SEDIMENT BARRIER**  
NOT TO SCALE

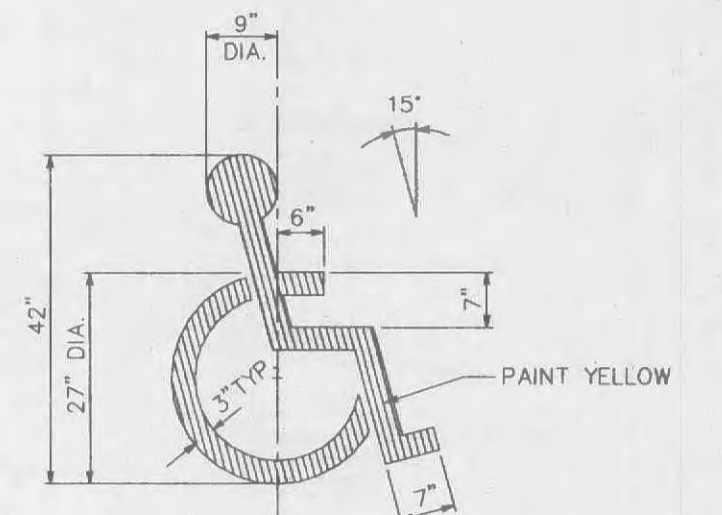


**PIPE BOLLARD DETAIL**  
NOT TO SCALE

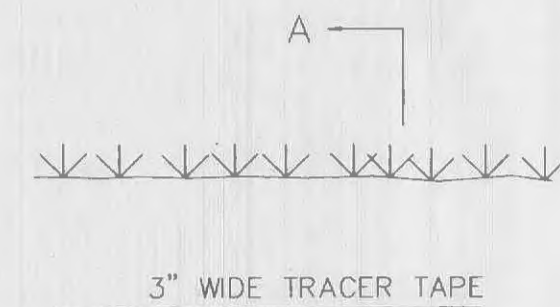


STANDARD SIGN FACE, STANDARD HIGHWAY DEPARTMENT, OR CITY STREET DEPARTMENT GAUGE, BLACK OR BLUE LETTERING, GALVANIZED U CHANNEL POST 7'-0" LONG, SET 3'-0" INTO GRADE, SET BOTTOM OF SIGN 4'-0" ABOVE FINISHED GRADE

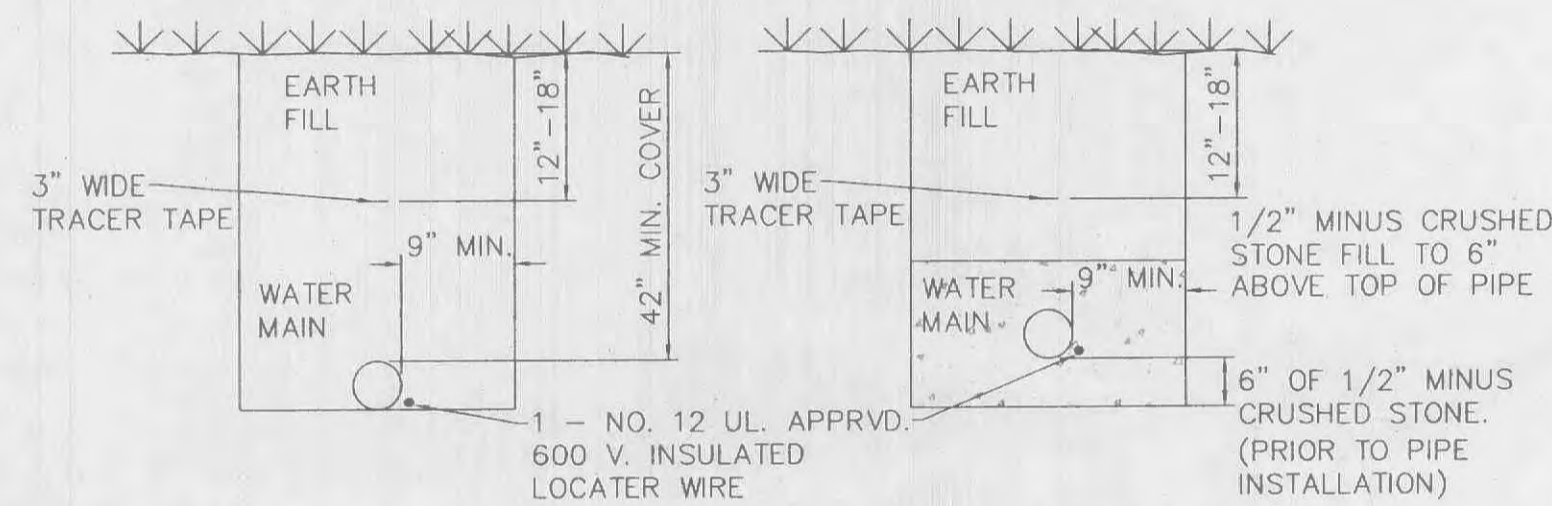
**HANDICAP PARKING SIGN**



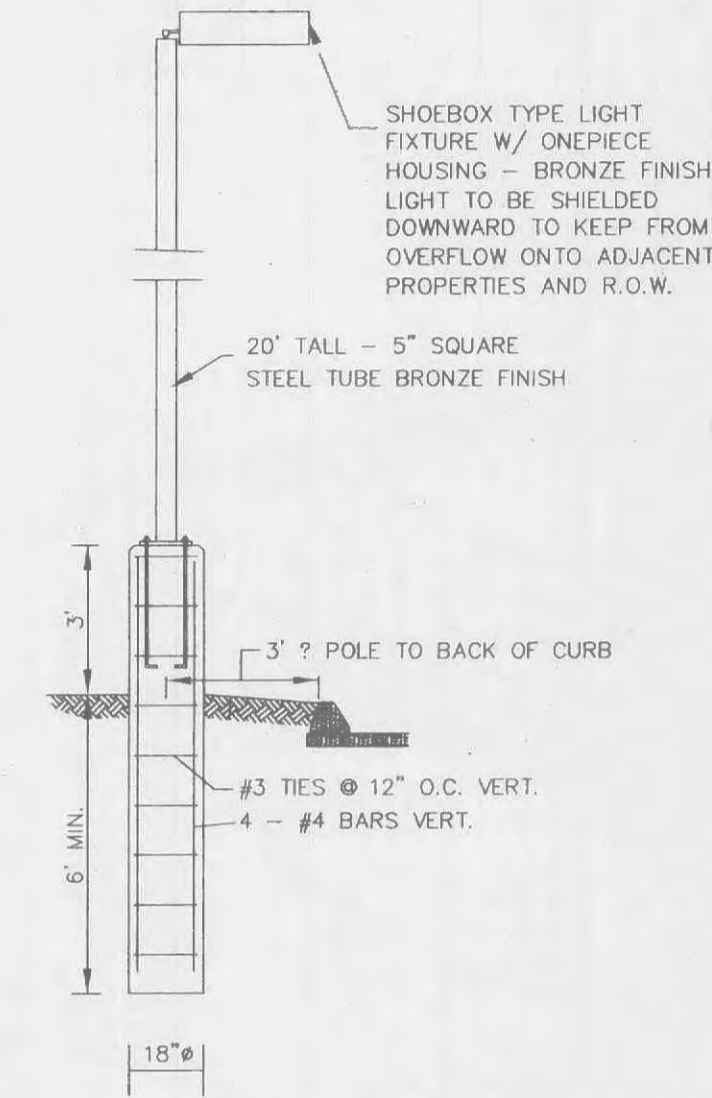
**PAINTED HANDICAPPED PARKING SYMBOL**  
NOT TO SCALE



EXCAVATE FOR JOINT AS REQUIRED. PIPE IS TO BE FULLY SUPPORTED. NO HIGH OR LOW SPOTS WILL BE PERMITTED.



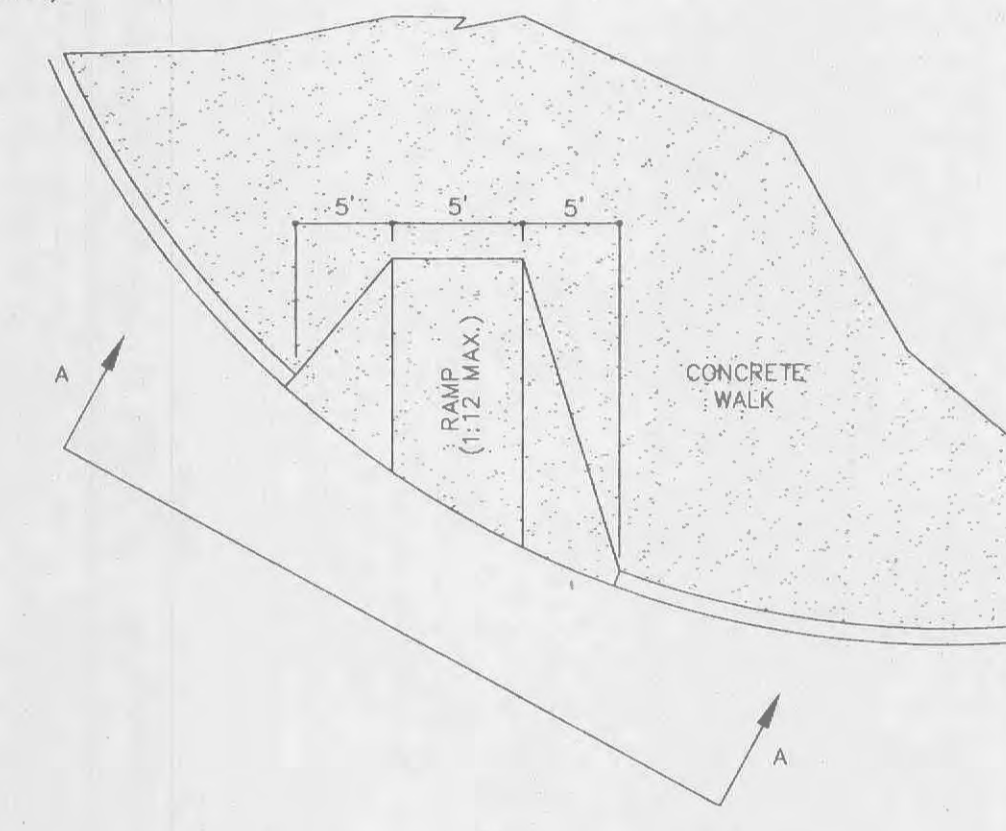
**TYPICAL WATER MAIN INSTALLATION DETAILS**  
NOT TO SCALE



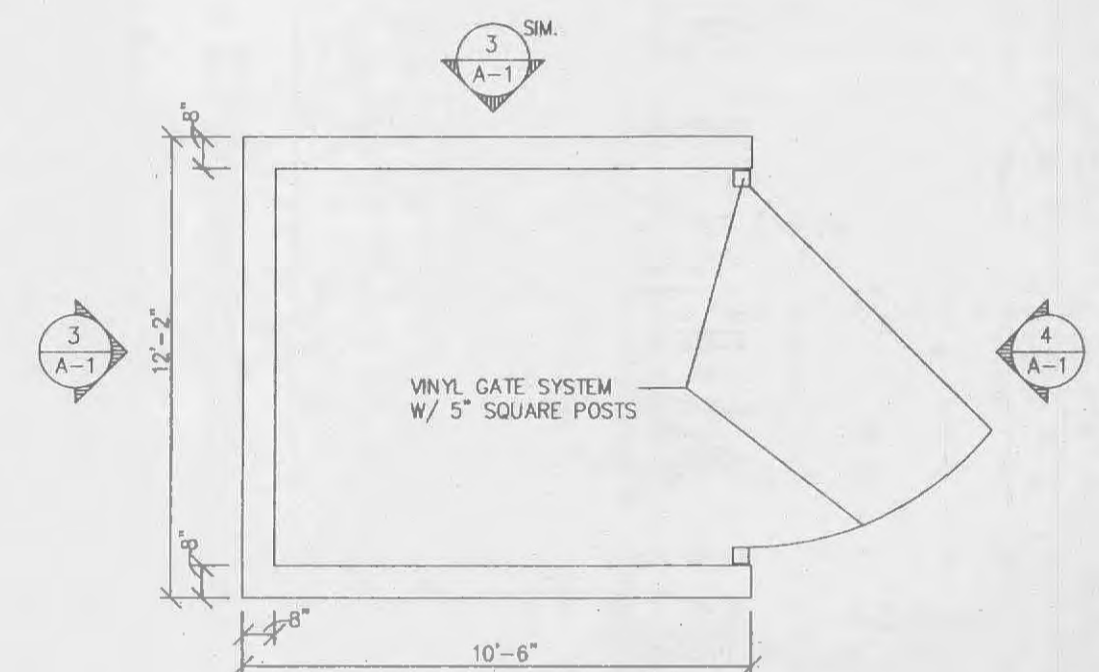
**LIGHT POLE & BASE**  
NOT TO SCALE



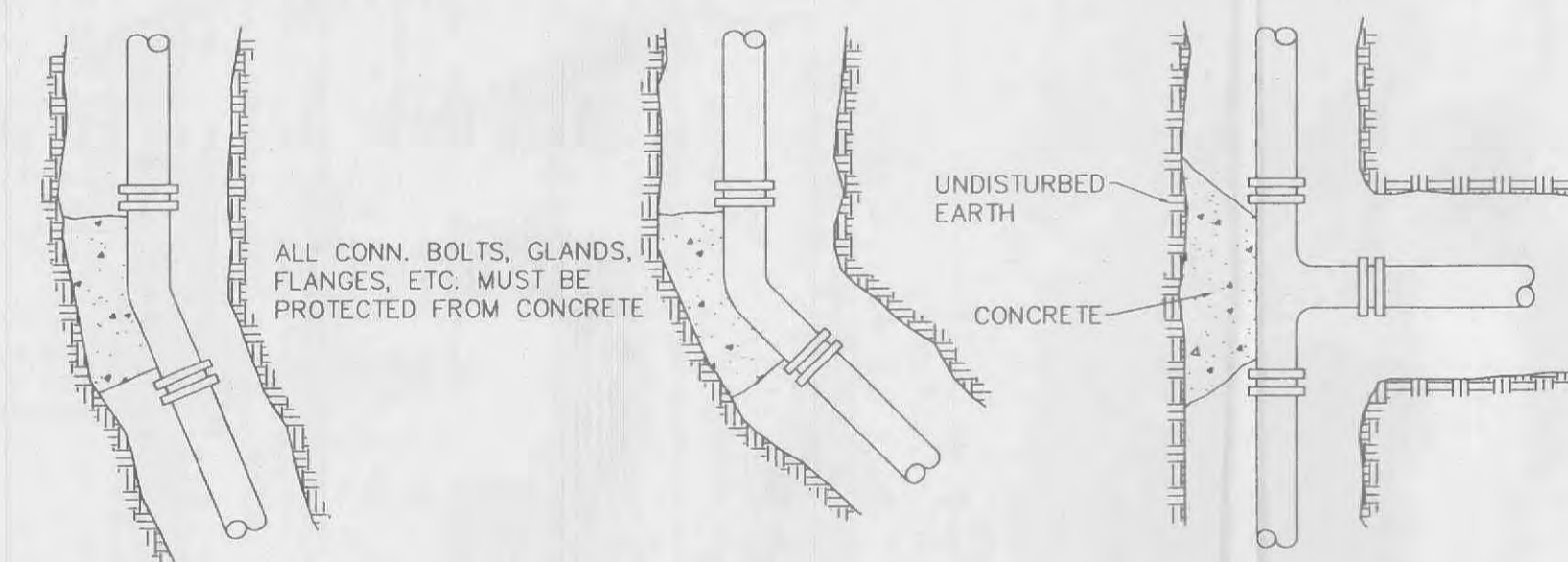
**TYPICAL WATER AND SEWER SEPARATION**  
NOT TO SCALE



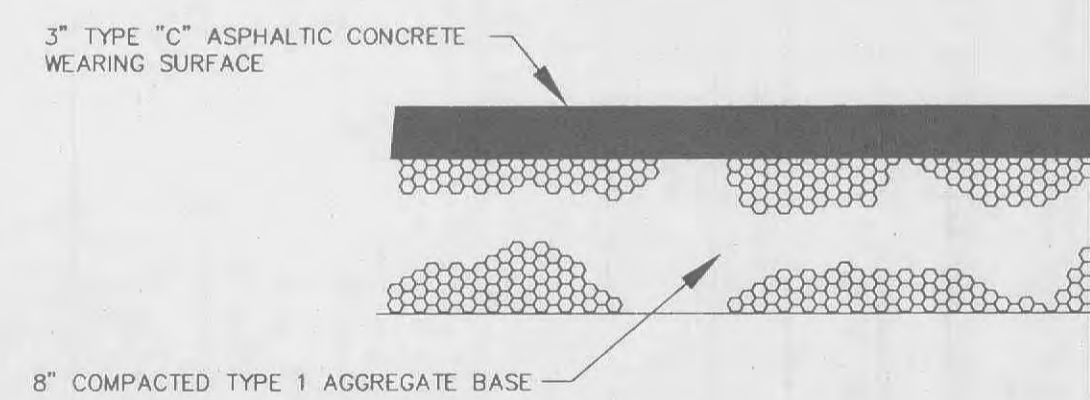
**HANDICAPPED RAMP DETAIL**  
NOT TO SCALE



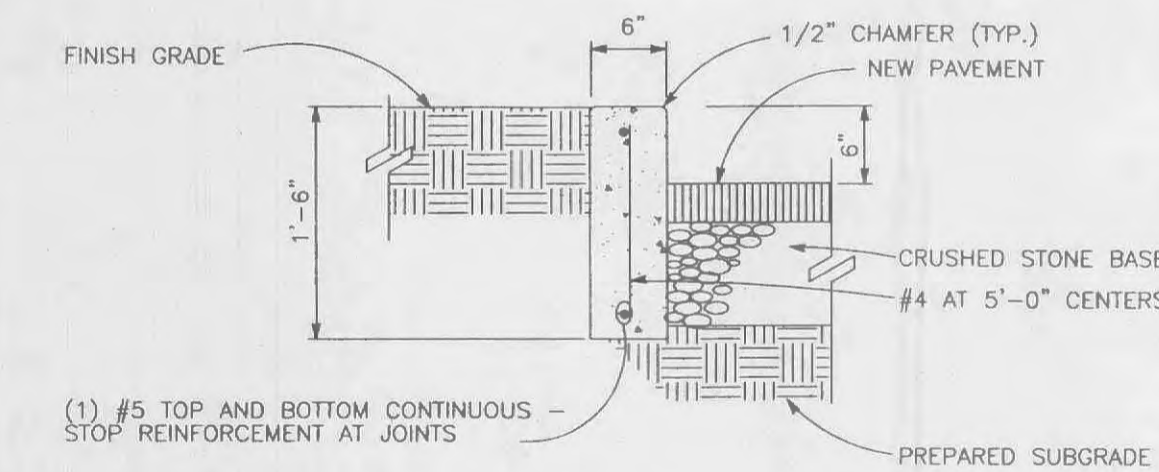
**ELEV. AT TRASH ENCLOSURE GATE**  
N.T.S.



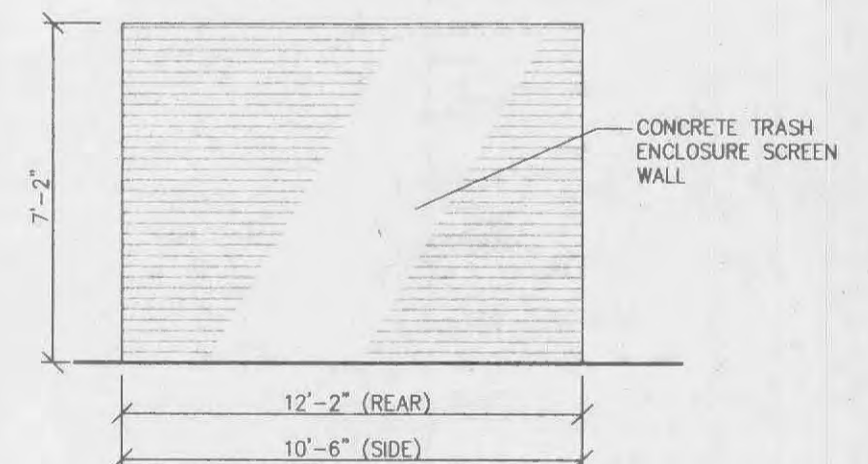
**TYPICAL THRUST BLOCK DETAILS**  
NOT TO SCALE



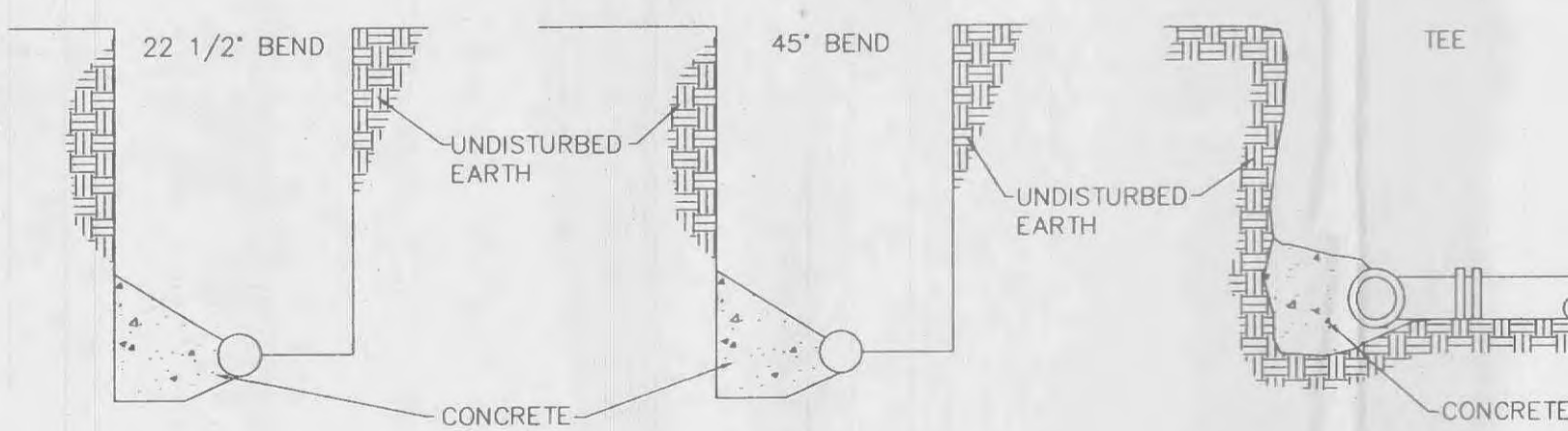
**ASPHALT PAVEMENT DETAIL**  
NOT TO SCALE



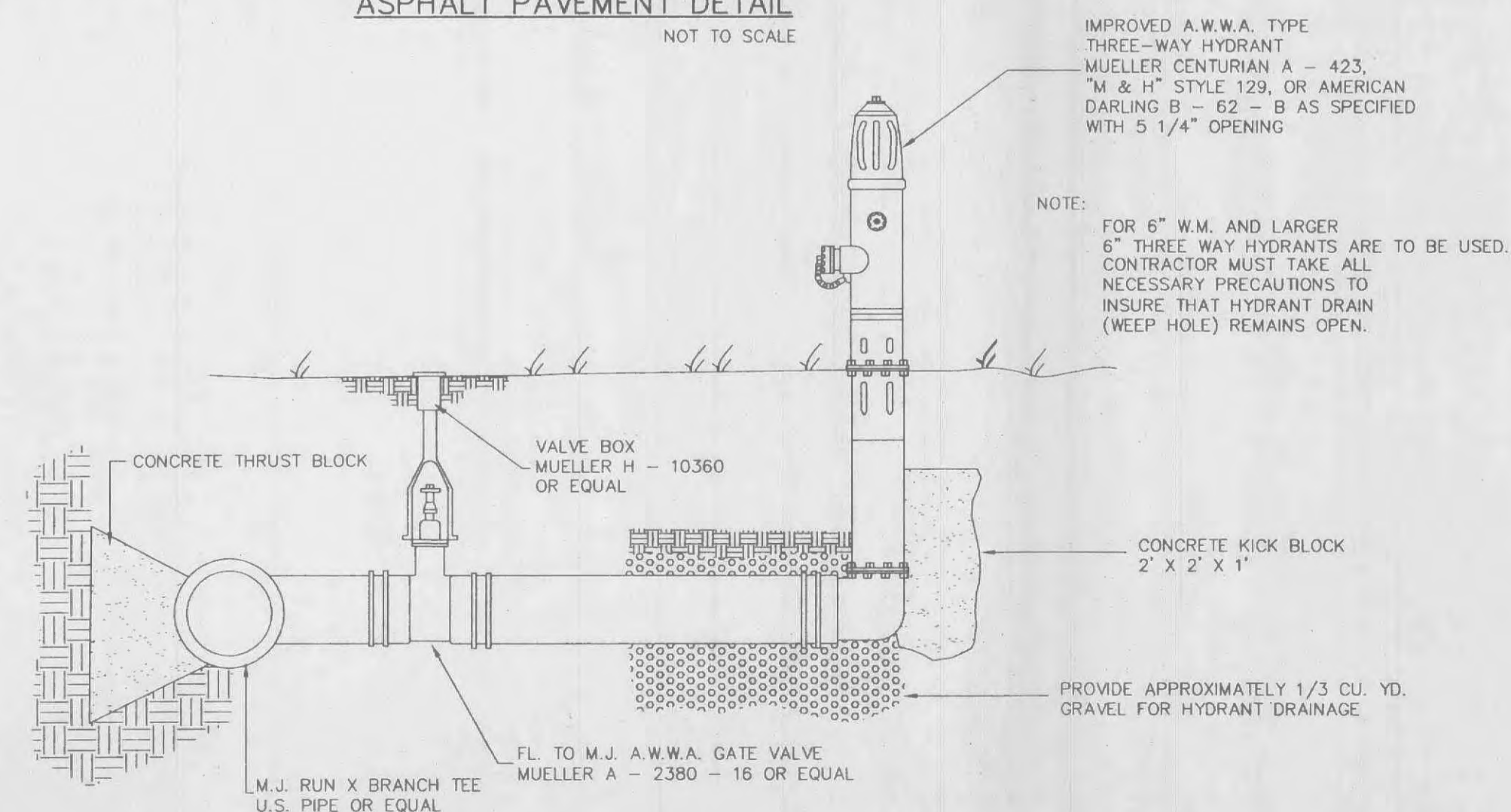
**CONCRETE CURB DETAIL**  
NOT TO SCALE



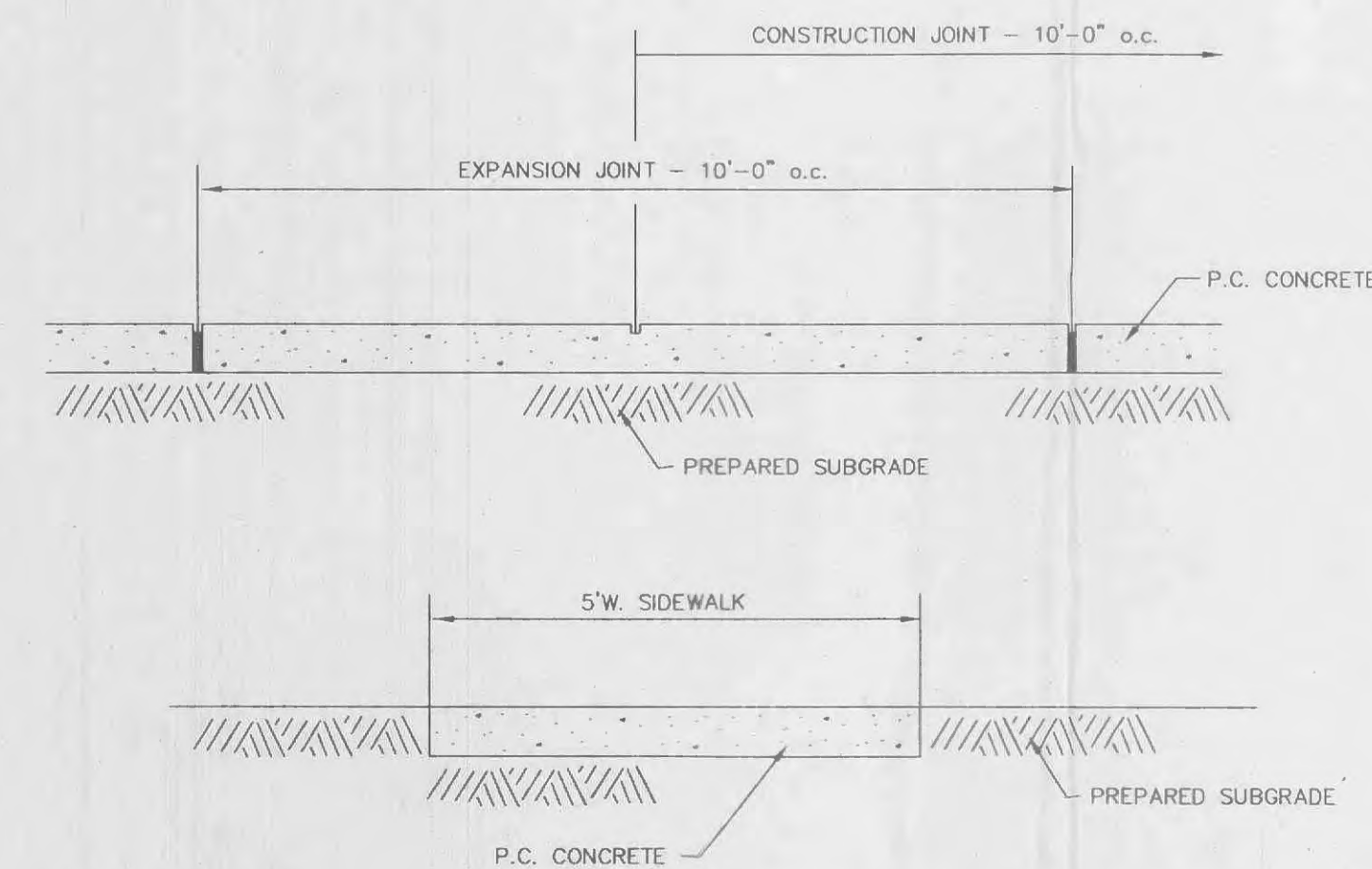
**REAR & SIDE VIEW OF TRASH ENCLOSURE**  
N.T.S.



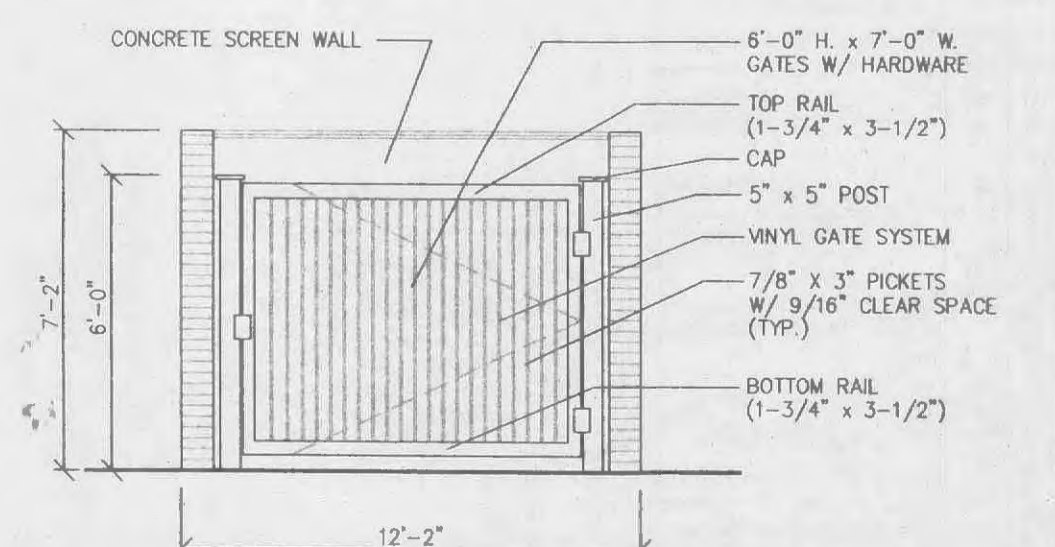
MAIN SIZE (I.D.)	MIN. THRUST BLOCK BEARING DIMENSIONS TO BEAR AGAINST UNDISTURBED EARTH			
	45° BEND	22 1/2° BEND	TEE	CROSS
2"	5" x 1"	5" x 1"	5" x 1"	5" x 1"
4"	1' x 1"	1' x 1"	2' x 1"	1' x 1"
6"	1.5' x 1"	1' x 1"	2' x 2.5'	1' x 1.5'
8"	2' x 1"	1' x 1"	2' x 2'	2' x 2'
10"	2' x 2.5'	1.5' x 2'	2' x 3.5'	2' x 2'
12"	2' x 3.5'	1.5' x 2.5'	3' x 3.5'	2' x 3'
16"	3' x 4'	2' x 3'	4' x 4.5'	3' x 3.5'



**FIRE HYDRANT INSTALLATION DETAIL**  
NOT TO SCALE



**CONCRETE SIDEWALK DETAIL**  
NOT TO SCALE



**ELEV. AT TRASH ENCLOSURE GATE**  
N.T.S.

