

| LINTEL SCHEDULE |              |                  |
|-----------------|--------------|------------------|
| SPAN TABLE      |              | STANDARD LINTELS |
| OPENING SIZE    | 6" or 8" CMU | 10" or 12" CMU   |
| 0' ≤ 4'-0"      | L1           | L2               |
| 4'-0" ≤ 6'-0"   | L3           | L4               |
| 6'-0" ≤ 9'-4"   | L5           | L5               |
| 9'-4" ≤ 11'-4"  | L6           | L6               |
| 11'-4" ≤ 16'-0" | L7           | L7               |

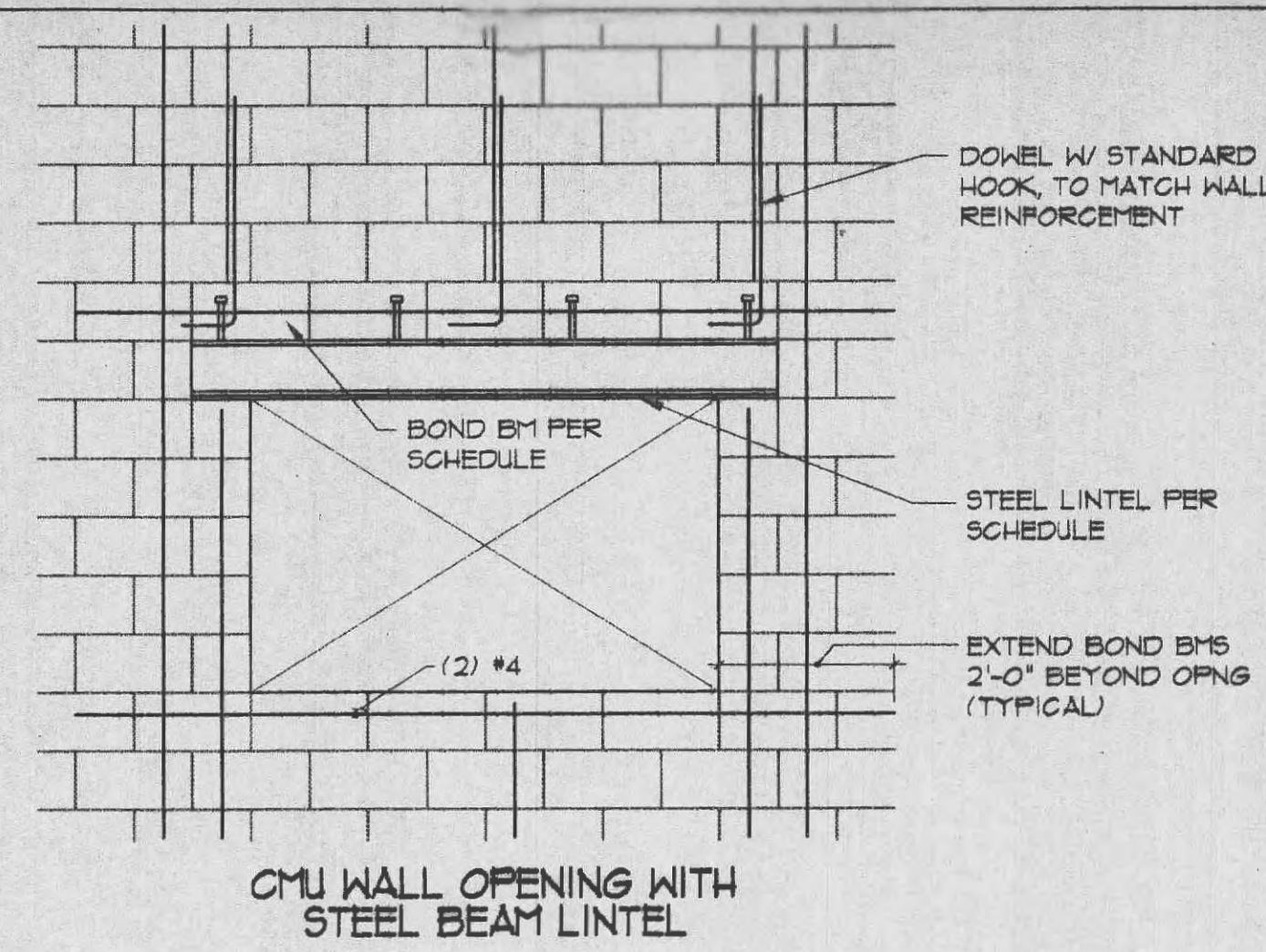
  

| 6" or 8"         |                  | 10" or 12"       |                  |
|------------------|------------------|------------------|------------------|
| (1) #4 TOP & BOT | (2) #4 TOP & BOT | (1) #5 TOP & BOT | (2) #5 TOP & BOT |
| L1               | L2               | L3               | L4               |
| (1) #4           | (2) #5           | (1) #4           | (2) #5           |
| L5 W8x15         | L6 W16x26        | L7 W16x31        |                  |

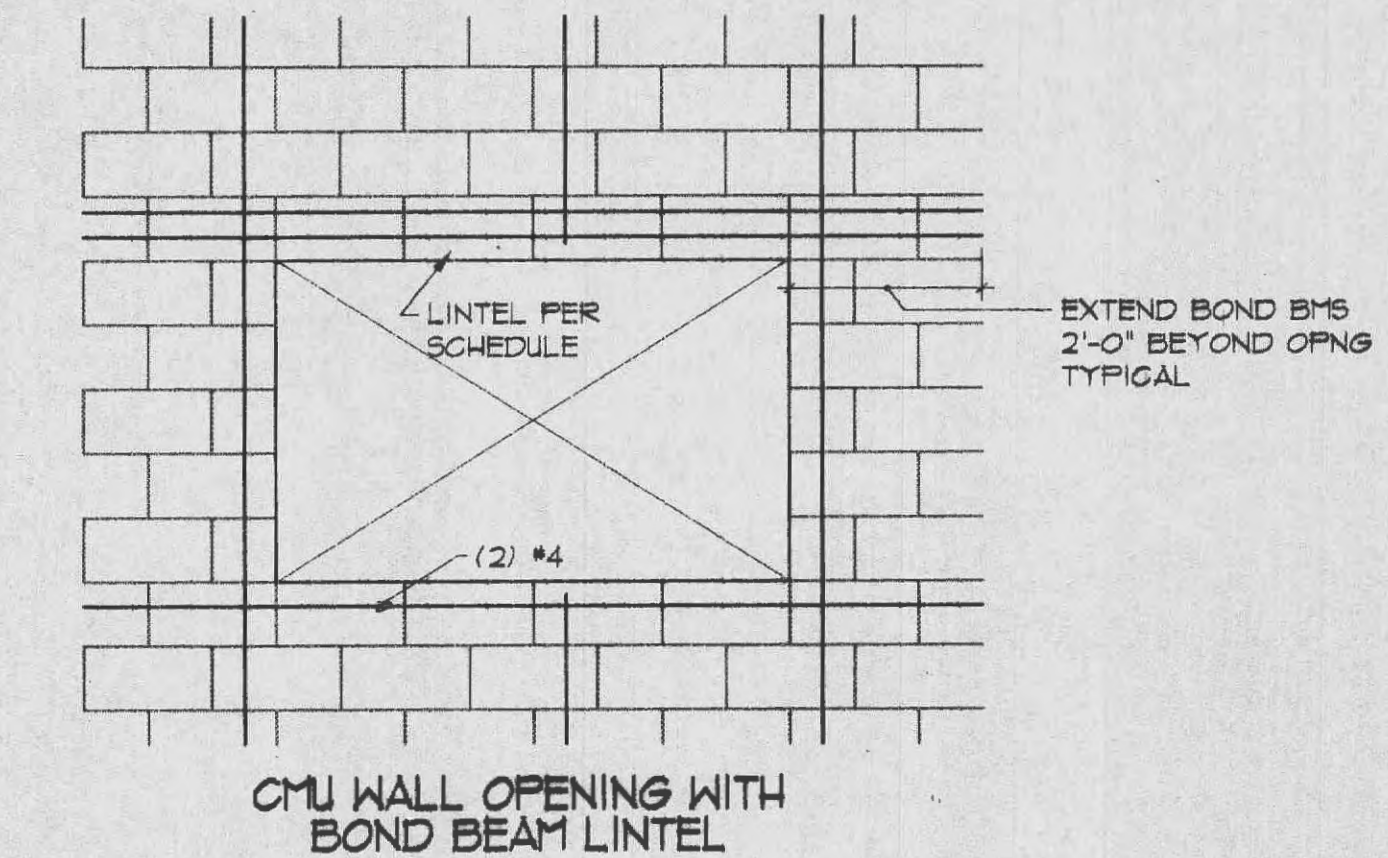
**LINTEL NOTES**

- ALL MASONRY OPENINGS REQUIRE A LINTEL. PROVIDE A STANDARD LINTEL PER SPAN TABLE UNLESS NOTED OTHERWISE ON PLANS.
- BOND BEAM LINTELS SHALL BE FILLED WITH 3000 PSI GROUT.
- STEEL LINTELS SHALL HAVE BOTTOM PLATE BEARING 8" MINIMUM EACH END.
- STEEL LINTEL BOTTOM PLATES SHALL BE 1 INCH LESS THAN THE NOMINAL WIDTH OF THE WALL.
- AT BOND BEAM LINTELS WITH MASONRY VENEER, PROVIDE (1) L 5x3 1/2x3/16 (LLV) LOOSE ANGLE LINTEL FOR EACH 4" OF MASONRY. BEAR LINTELS 8" EACH END. MAXIMUM SPAN 6'-0".
- STEEL LINTELS SHALL HAVE 5/8" φ x 6" HEADED ANCHOR STUD @ 24" o.c.

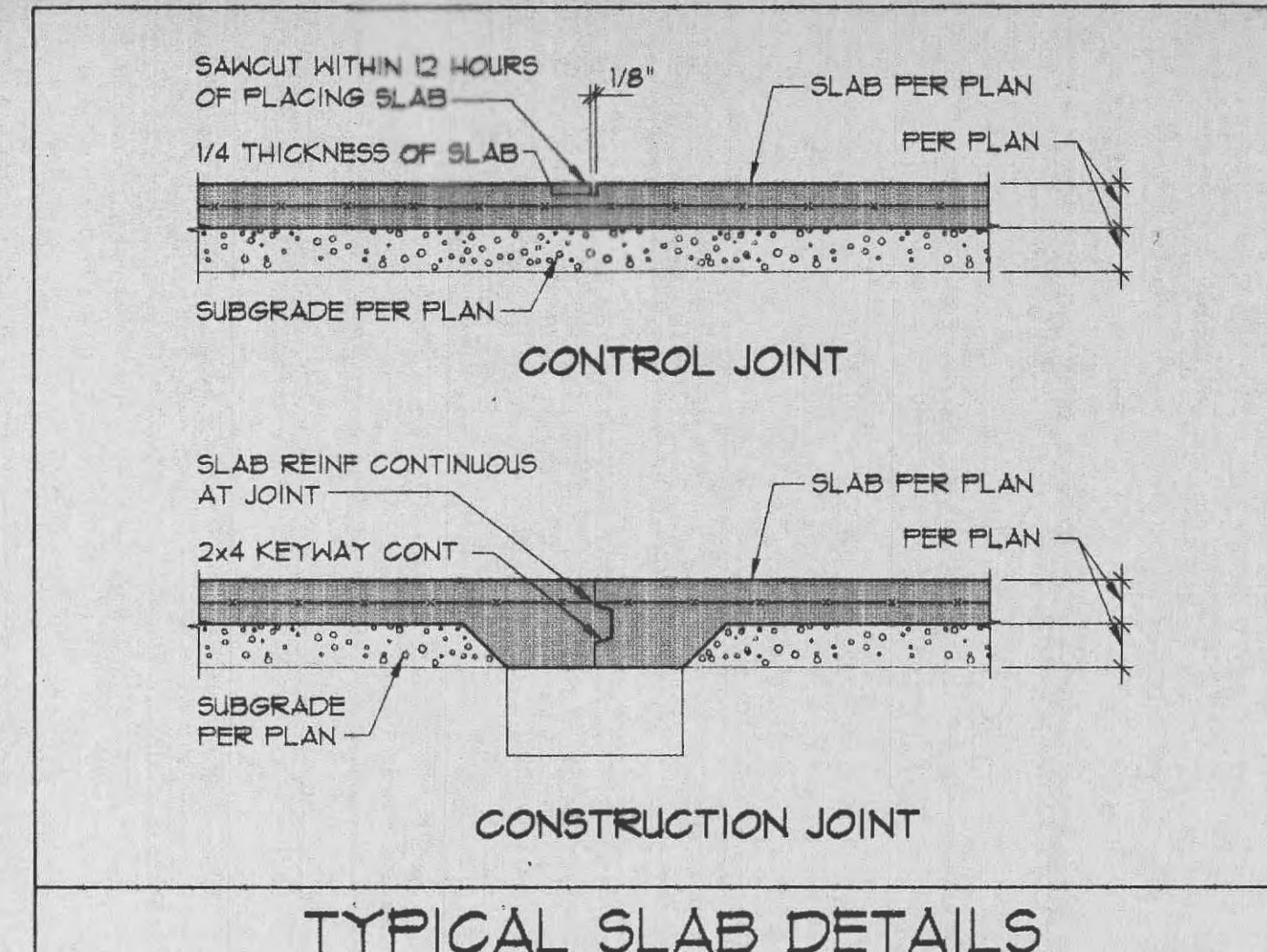
**TYPICAL LINTEL DETAILS**



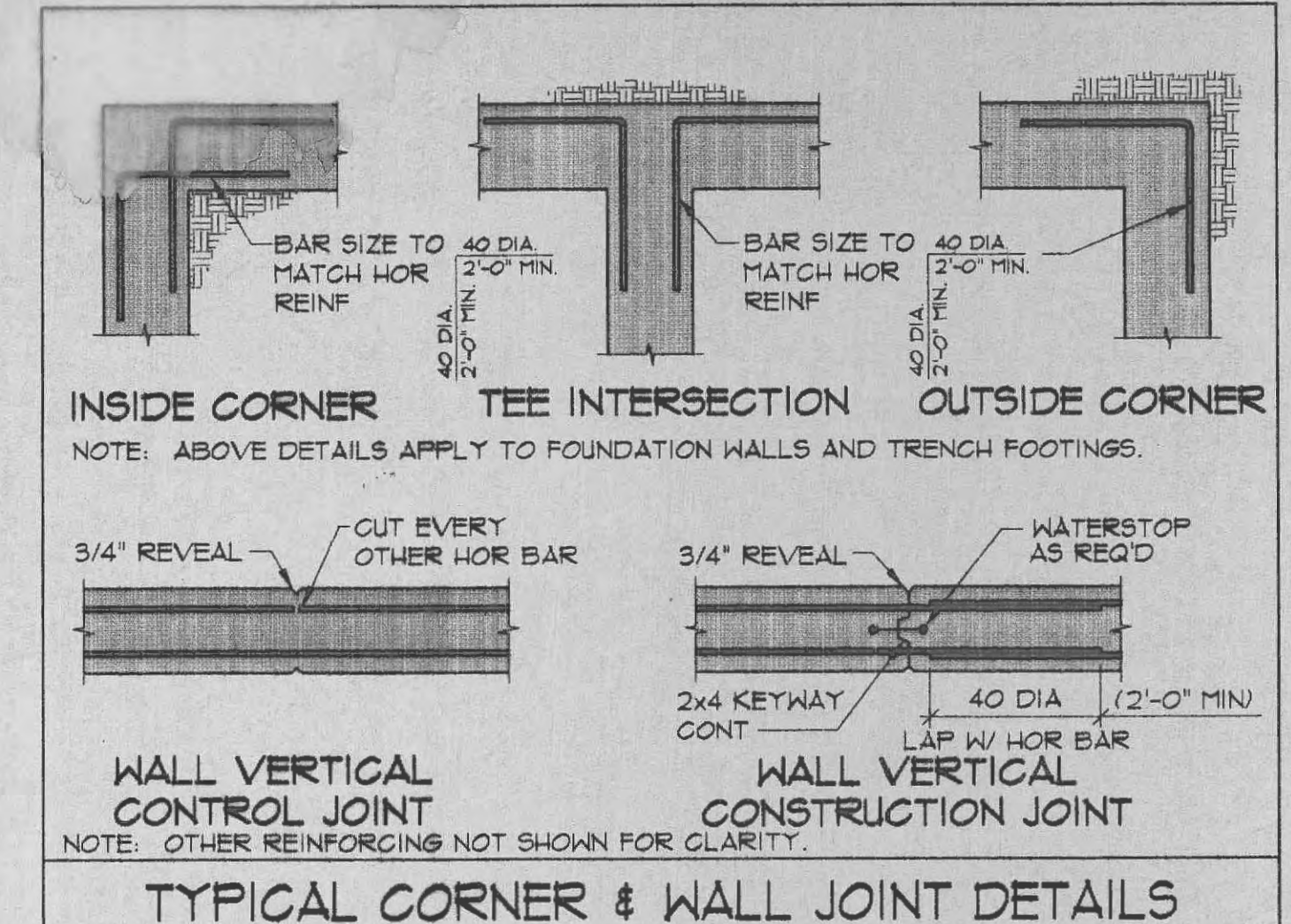
**CMU WALL OPENING WITH STEEL BEAM LINTEL**



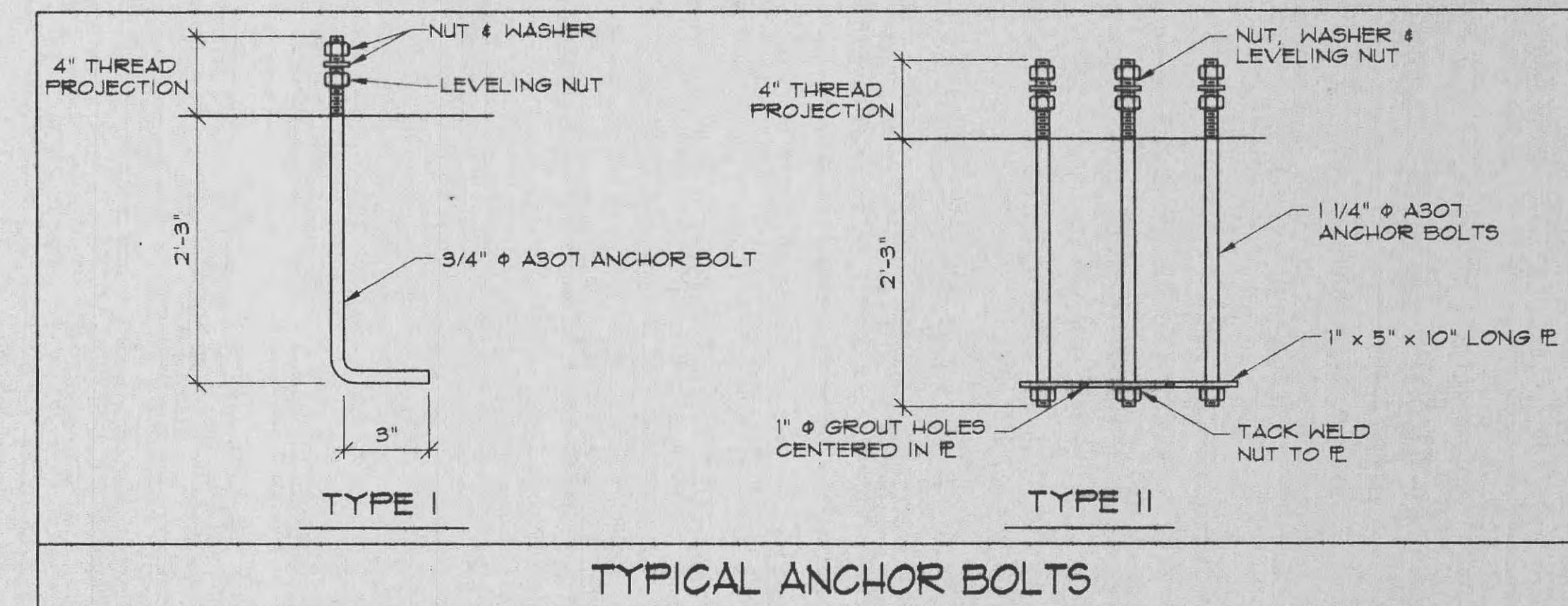
**CMU WALL OPENING WITH BOND BEAM LINTEL**



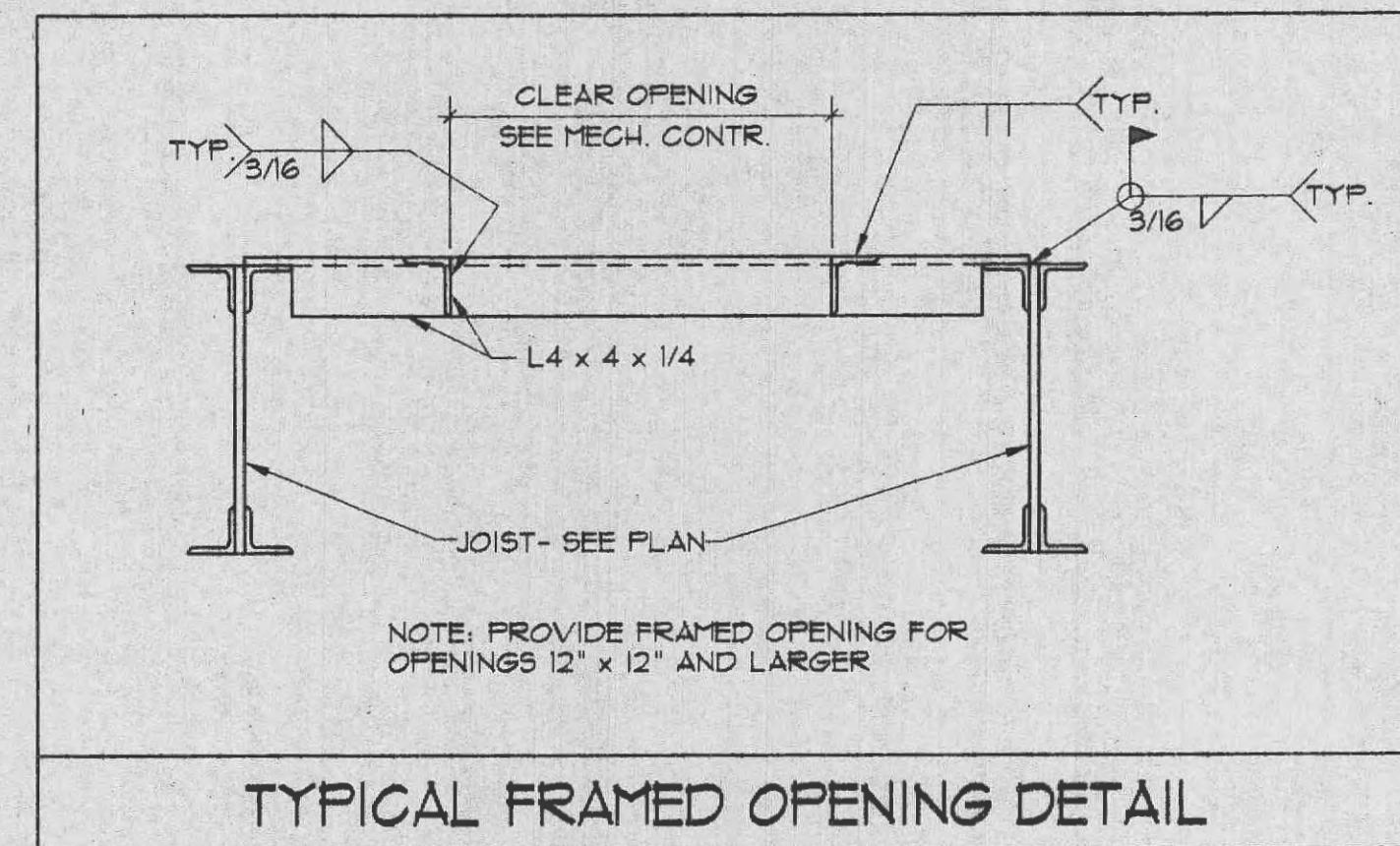
**TYPICAL SLAB DETAILS**



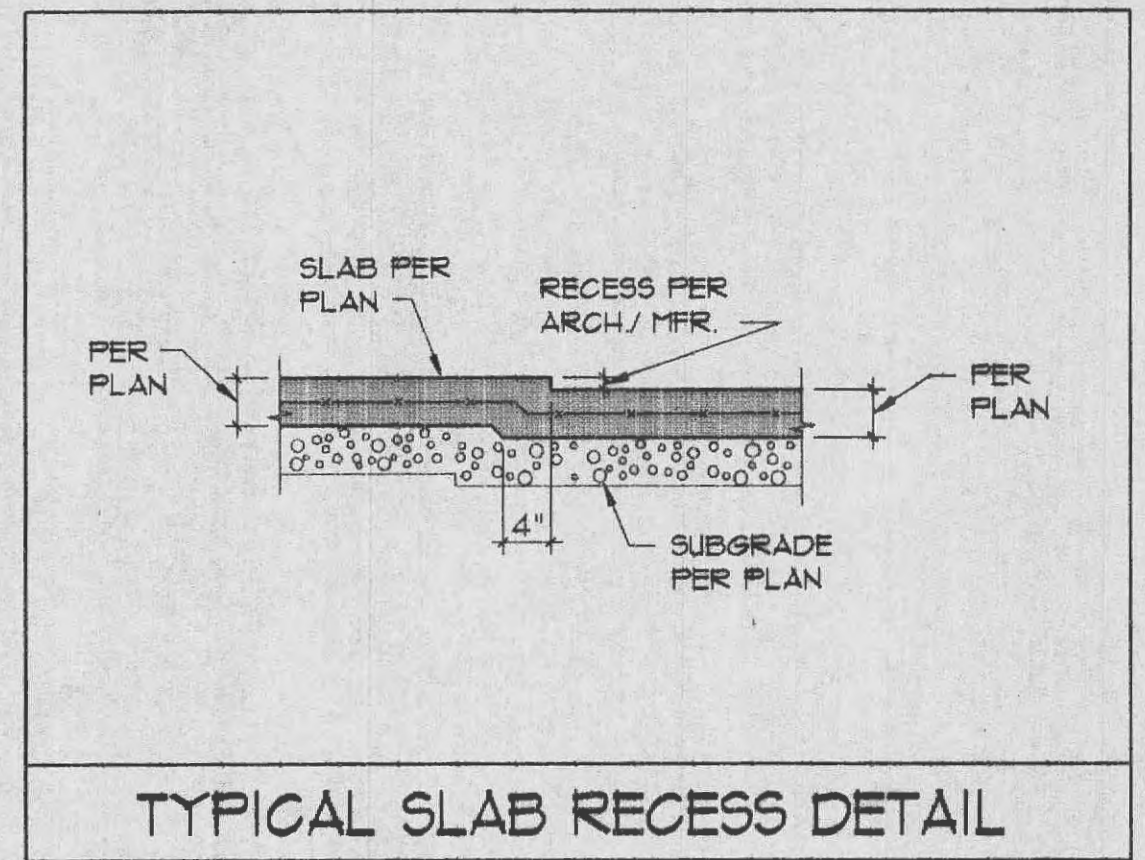
**TYPICAL CORNER & WALL JOINT DETAILS**



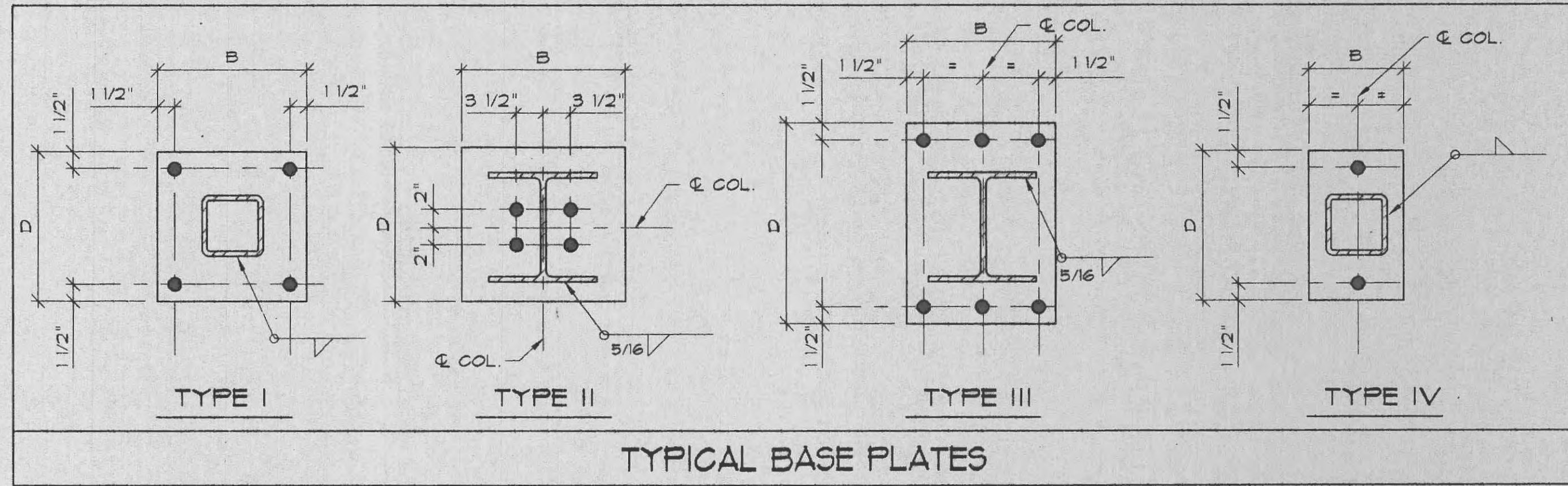
**TYPICAL ANCHOR BOLTS**



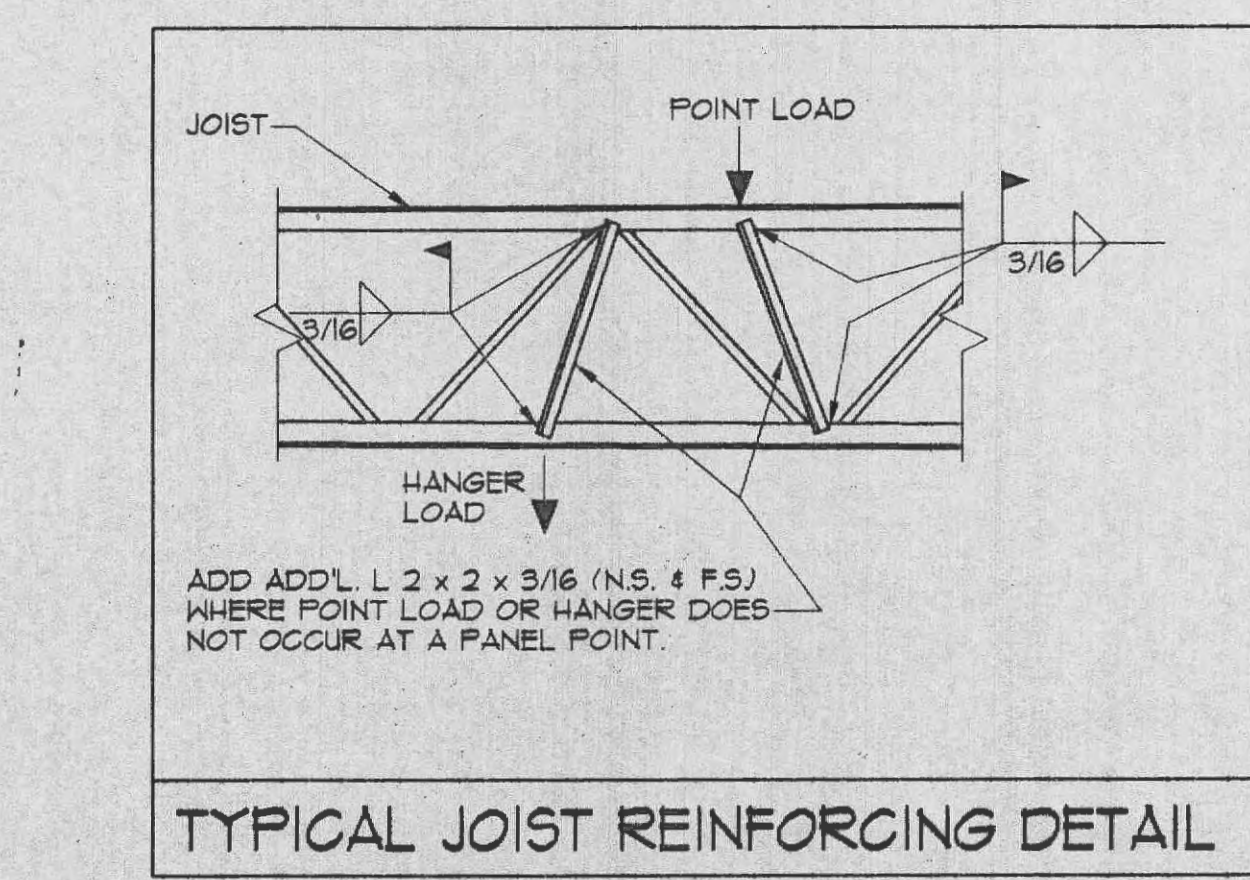
**TYPICAL FRAMED OPENING DETAIL**



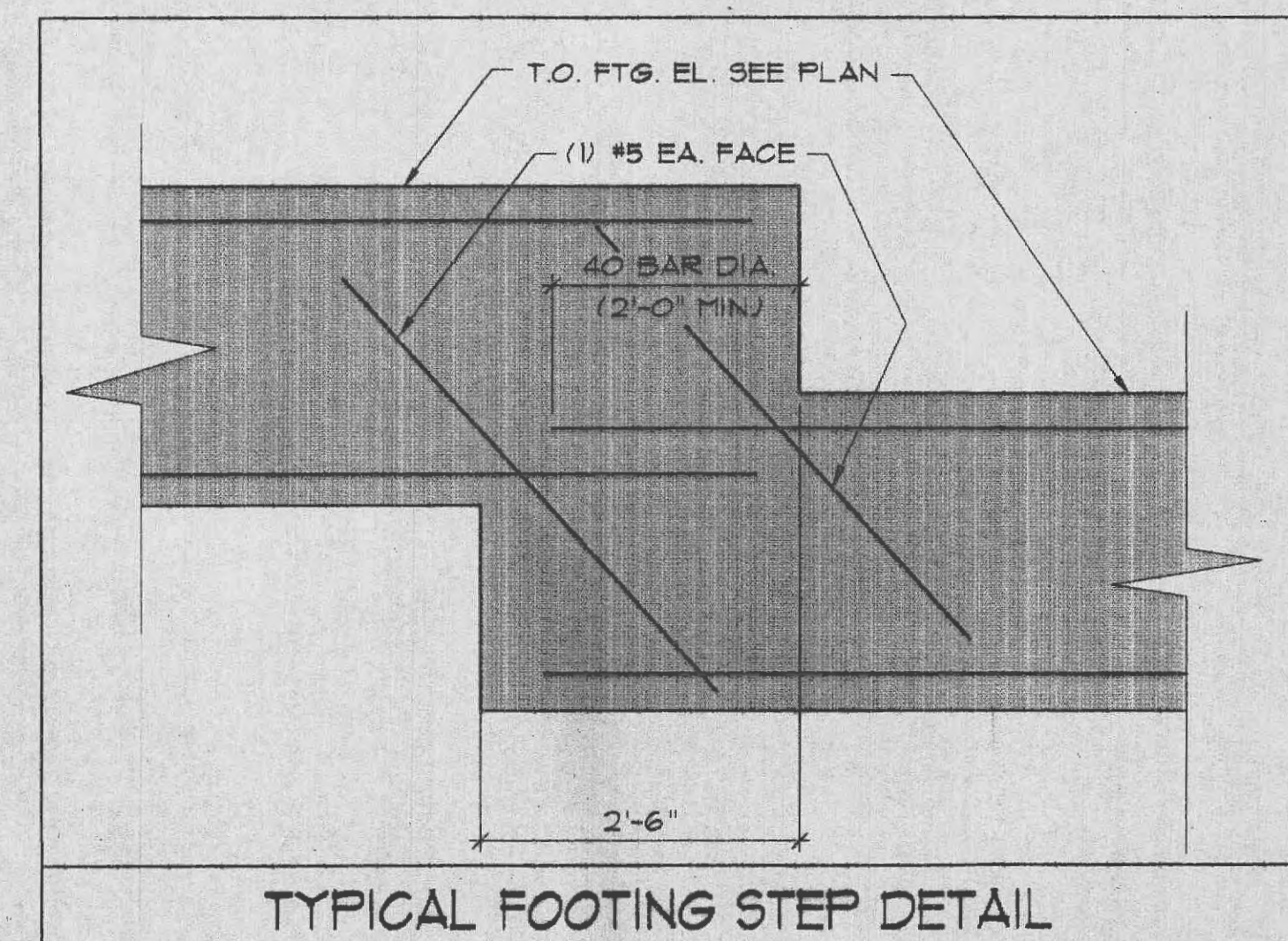
**TYPICAL SLAB RECESS DETAIL**



**TYPICAL BASE PLATES**



**TYPICAL JOIST REINFORCING DETAIL**



**TYPICAL FOOTING STEP DETAIL**

| FOOTING SCHEDULE |               |           |                          |
|------------------|---------------|-----------|--------------------------|
| MARK             | SIZE          | THICKNESS | REINFORCING              |
| F1               | 7'-0" x 7'-0" | 2'-6"     | (7) #5 BARS EW TOP & BOT |
| F2               | 5'-6" x 5'-6" | 2'-6"     | (5) #5 BARS EW TOP & BOT |
| F3               | 4'-0" x 4'-0" | 2'-6"     | (4) #5 BARS EW TOP & BOT |
| F4               | 9'-0" x 9'-0" | 2'-6"     | (9) #5 BARS EW TOP & BOT |

NOTE: φ COLS. D5, D6, D7, D12, D12.5, & D13 NOTCH TOP OF FOOTING PER DETAIL 10/531.

| COLUMN SCHEDULE |               |                           |                         |                  |
|-----------------|---------------|---------------------------|-------------------------|------------------|
| COL. MARK       | COL. SIZE     | BASE RE SIZE 1' x B' x D' | ANCHOR BOLTS            | CAP RE THICKNESS |
| C1 *            | W8 x 31       | 1 1/4" x 10" x 10"        | (4) 3/4" φ (TYPE II)    | ---              |
| C2 *            | T98 x 8 x 1/4 | 1" x 10" x 1'-2"          | (4) 3/4" φ (TYPE I)     | 1/8"             |
| C3              | T99 x 3 x 1/4 | 3/4" x 6" x 10"           | (2) 3/4" φ (TYPE II)    | 3/4"             |
| C4 *            | W4 x 53       | 1 1/2" x 10" x 1'-8"      | (6) 1 1/4" φ (TYPE III) | ---              |

\* EXTEND COLS. PASS ROOF TO TOP OF COL. EL. 26'-3" FOR FUTURE SUITE LEVEL, EXCEPT φ COLS. 9D, 9E, 93E, 93F, 97E, 97F, 10D, & 10E. EXTEND THESE COLS. UP TO HIGH STEEL FRAME-SEE PLAN.

**Kerr Conrad Graham ASSOCIATES**  
CONSULTING ENGINEERS, INC.  
8508 FLOYD  
OVERLAND PARK, KANSAS 66204  
913-241-5833  
FAX-913-241-9222  
THIS DRAWING SHALL NOT BE REPRODUCED OR MODIFIED FOR USE AS A SHOP DRAWING  
Copyright © 1998

**h+k**  
**SPORT**  
HELLMUTH OBATA & KASSABAUM, INC.  
Architecture, Engineering, Planning, Interiors, Facility Programming  
353 West 93rd Street, Suite 700  
Kansas City, Missouri 64105

**STRUCTURAL ENGINEER**  
Kerr Conrad Graham Associates  
801 Walnut - Suite 301  
Kansas City, Missouri 64106  
**MECHANICAL/ELECTRICAL/PLUMBING**  
Bradson & Associates  
8800 63rd Street - Suite 214  
Raytown, Missouri 64133  
**CIVIL ENGINEER**  
George Butler Associates, Inc.  
255 South Main Street - Suite 200  
O'Fallon, Missouri 63366-5092

**T. R. HUGHES BALLPARK**  
**AT THE OZZIE SMITH SPORTS COMPLEX**  
**FOR THE RIVER CITY RASCALS**  
**OF FALLON, MO.**

| PACKAGE REVISIONS |      |             |
|-------------------|------|-------------|
| NO.               | DATE | DESCRIPTION |
|                   |      |             |
|                   |      |             |

PROJECT NO. 97-0761-00  
ISSUED BY: HOK SPORT  
DRAWN BY:  
REVIEWED BY:  
ISSUED: 07-7-98  
SHEET TITLE

**STANDARD DETAILS**

CATEGORY - SUB-CATEGORY - SHEET  
**S 1.2**