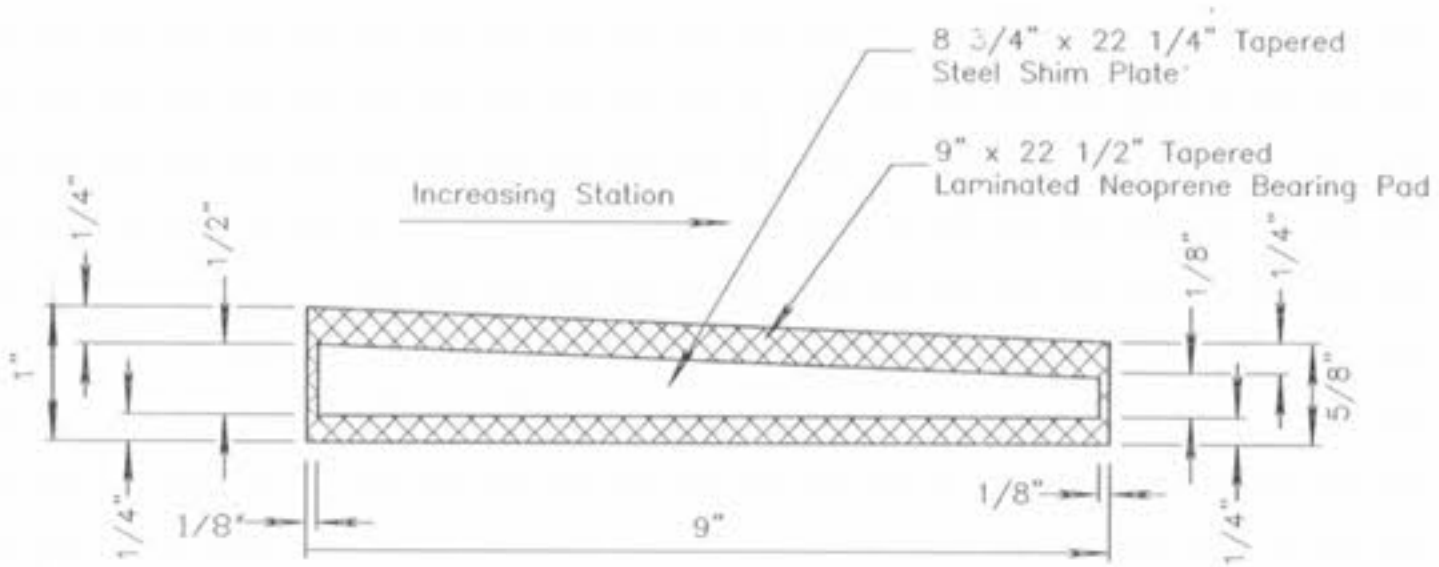
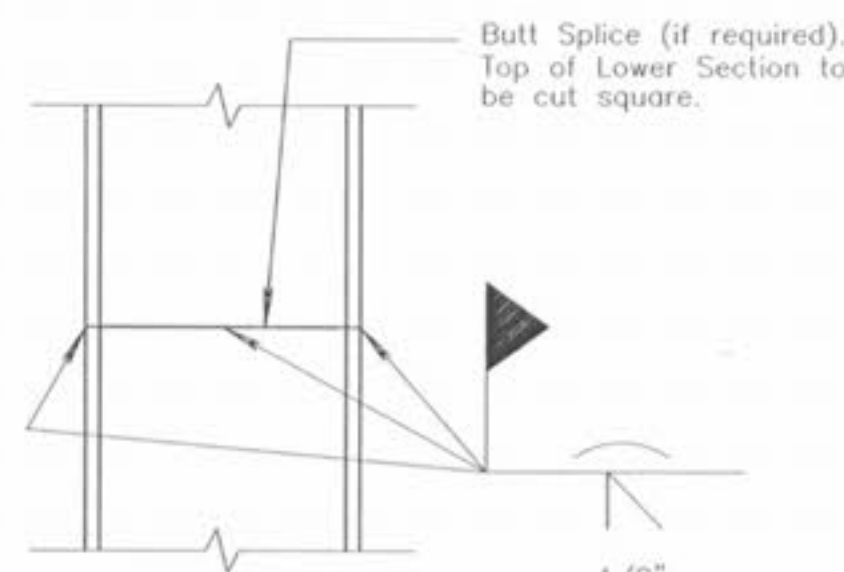


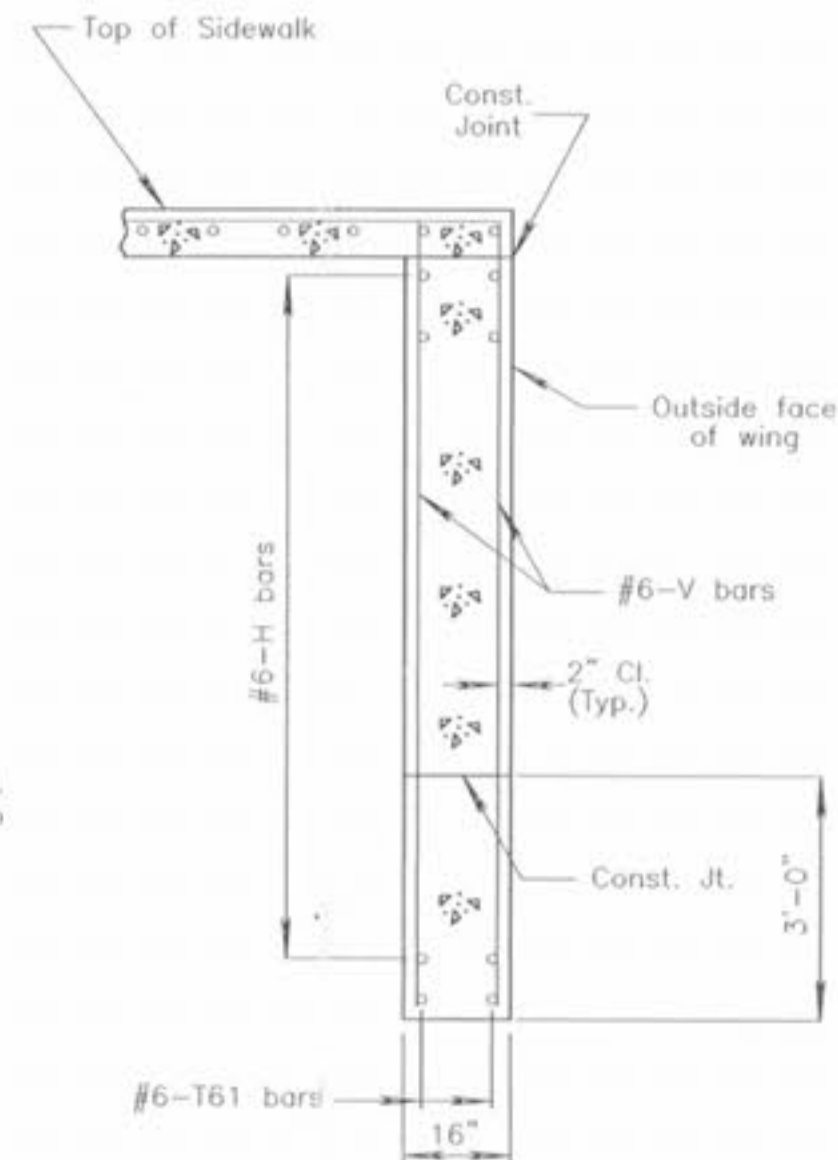
PILING LAYOUT



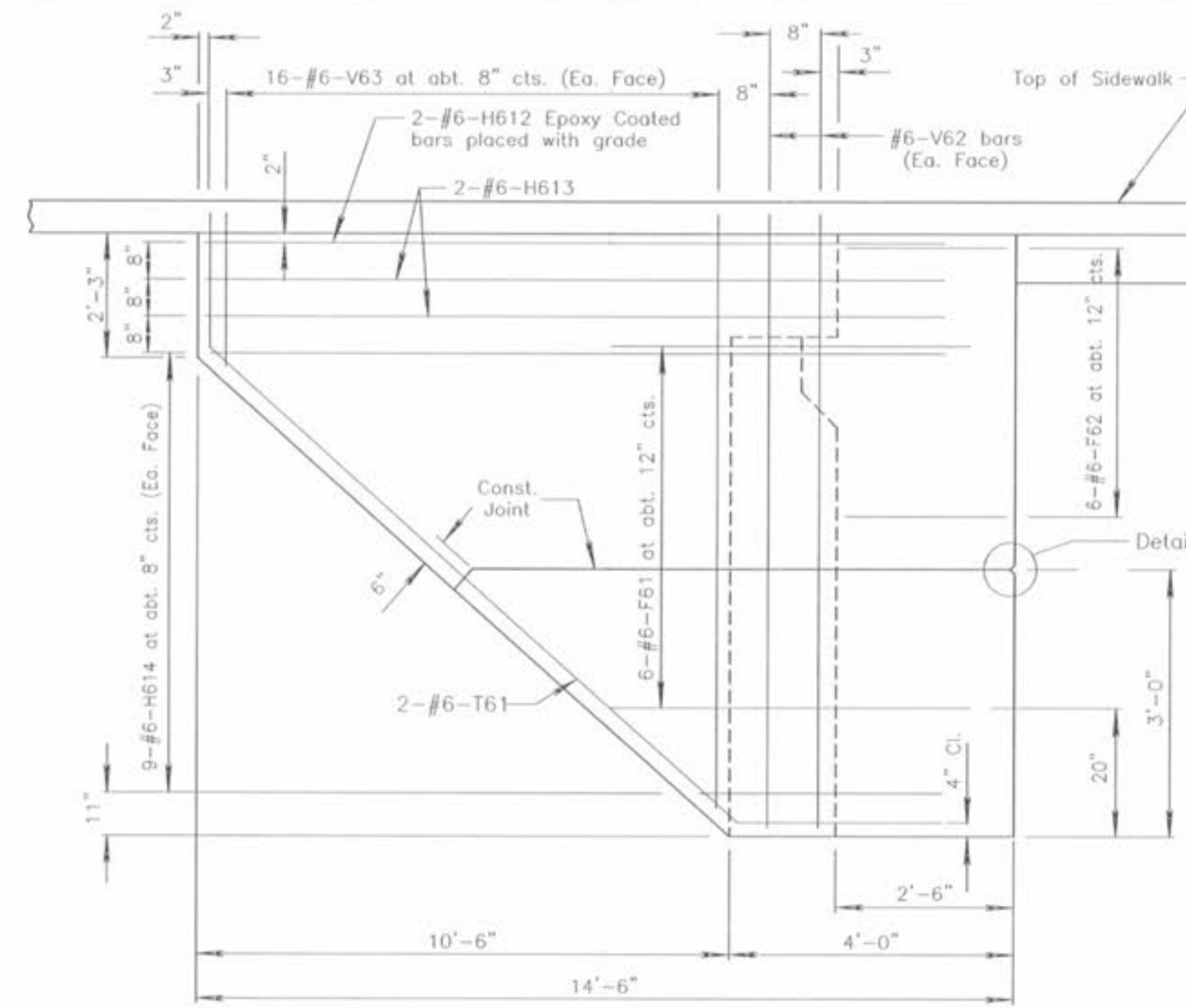
LAMINATED NEOPRENE BEARING PAD (Tapered)



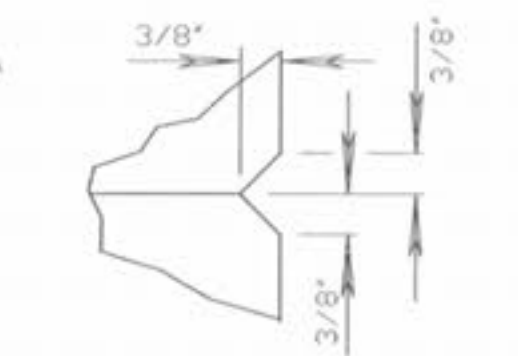
DETAIL OF STEEL PILE SPLICE



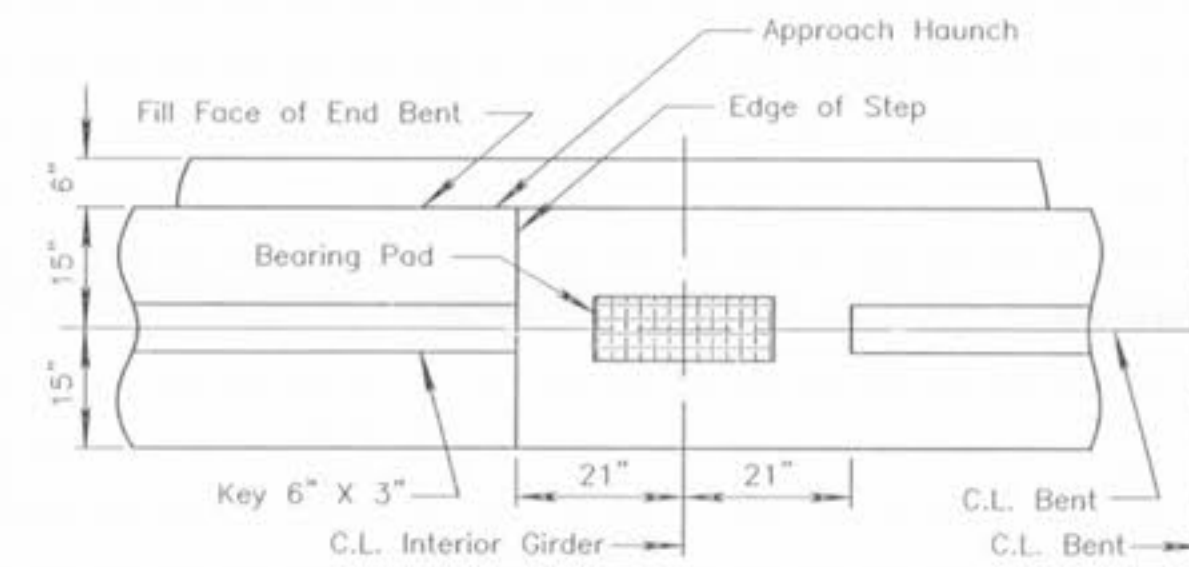
TYPICAL SECTION THRU WING



WING ELEVATION E-E



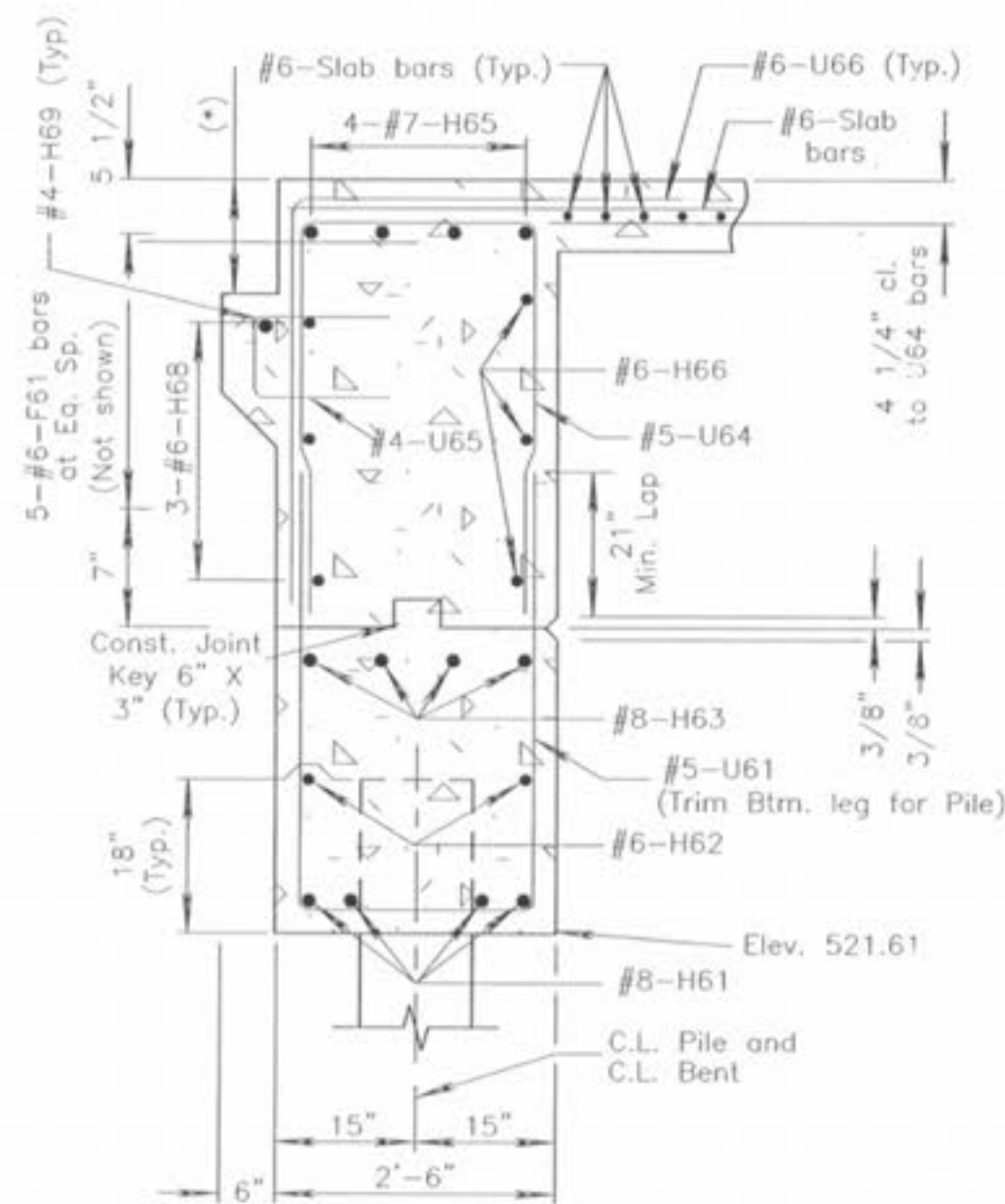
DETAIL "A"



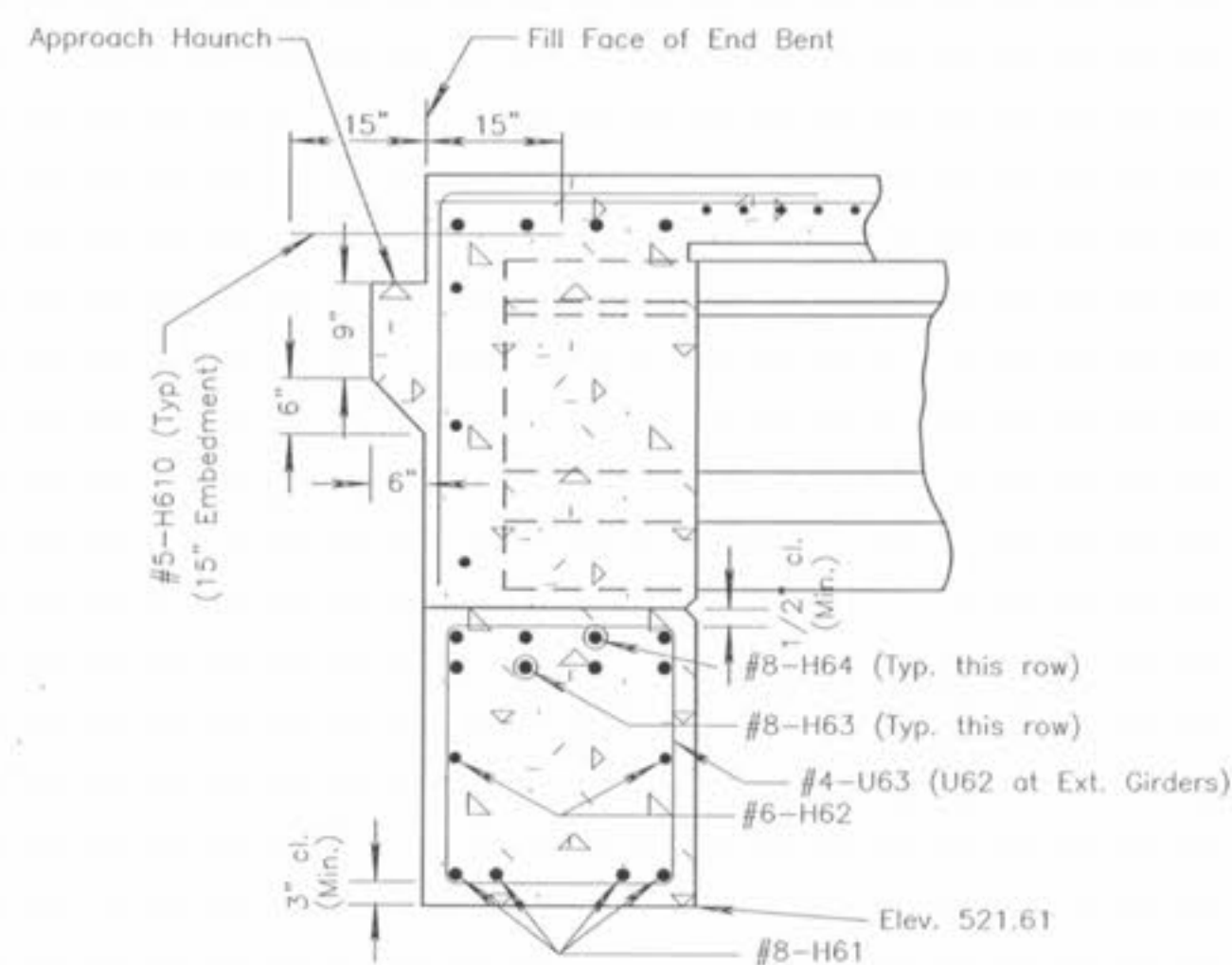
PART PLAN SHOWING BEAM STEP

NOTES:

- For location of Sections A-A, B-B, C-C and E-E, see Sheet No. 16.
- For details and reinforcement of Safety Barrier Curb not shown, see Sheets Nos. 26-28.
- For Substructure Quantity Table, see Sheet No. 16.

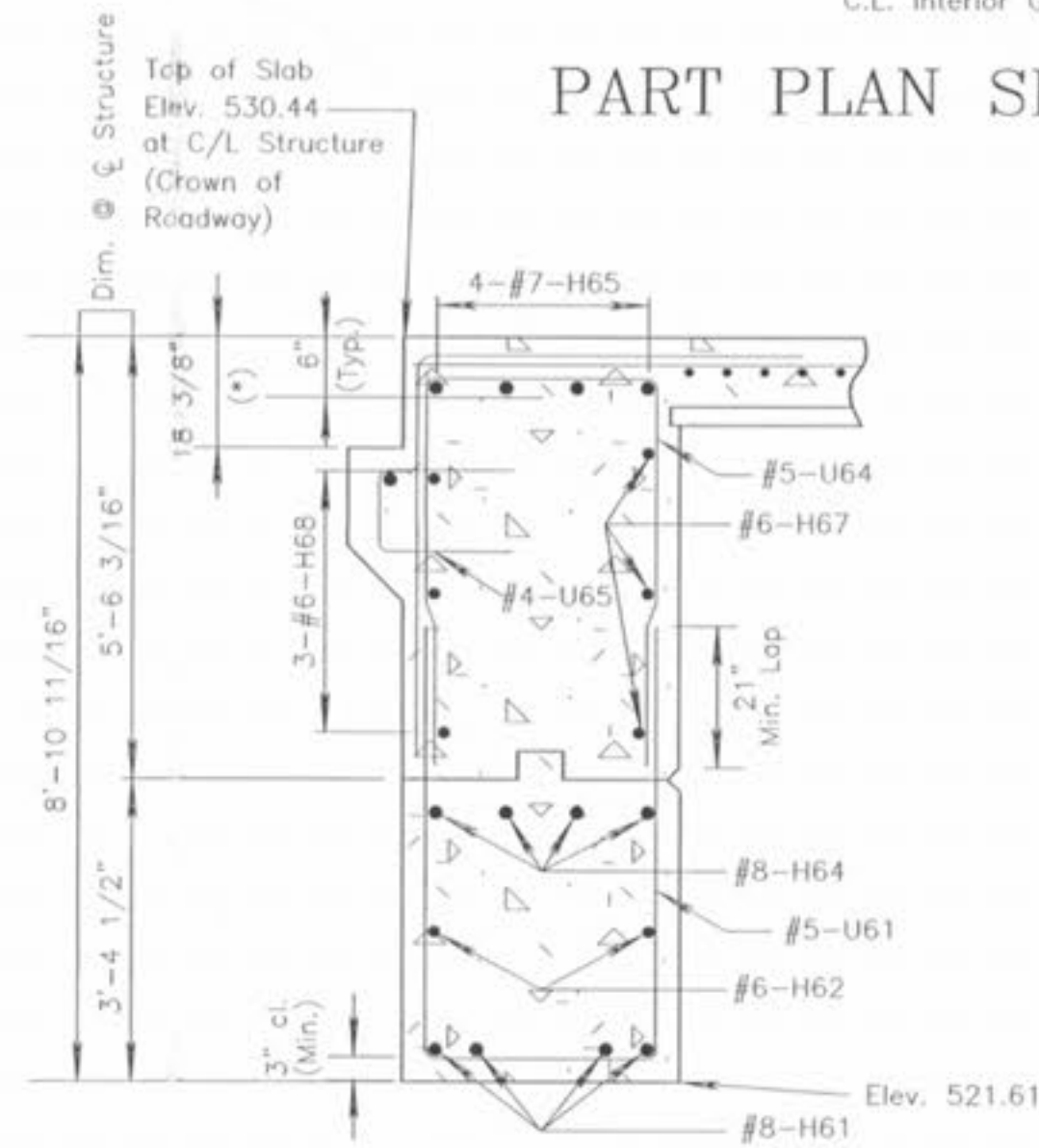


SECTION A-A (Near Pile)



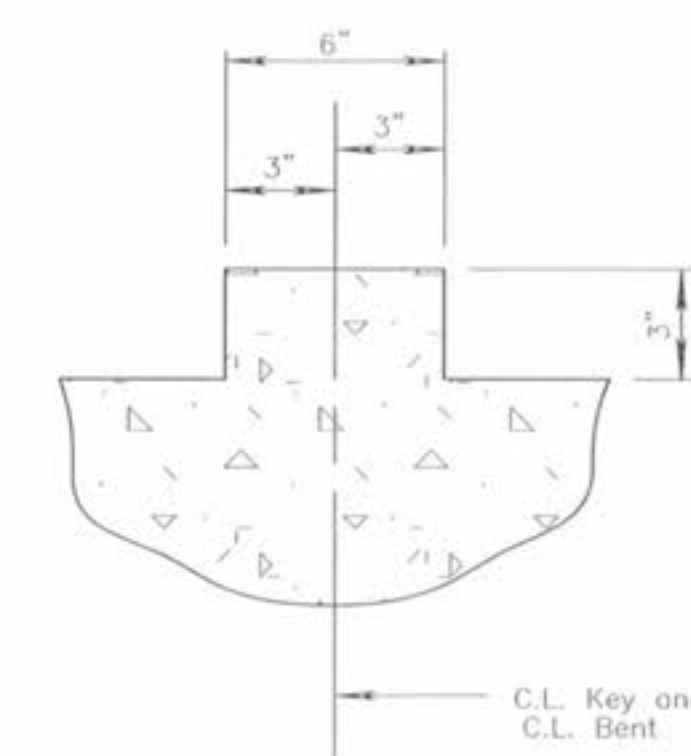
SECTION B-B

NOTE: Sections A-A, B-B, and C-C are taken normal to Centerline of Bent. Dimensions and reinforcement are typical for all sections except as shown.



SECTION C-C

(\* ) 12" Min. at end of approach haunch.



SECTION THRU KEY

NOTE: This drawing is not to scale. Follow dimensions.

DETAILS OF END BENT NO. 6



REVISED: 24May04; Changed C.L. Elev.; By LEL; Approved by SJH

ENGINEER'S AUTHENTICATION: The responsibility for professional engineering liability on this project is hereby limited to the set of plans authenticated by the seal, signature and date hereto attached. Responsibility is disclaimed for all other engineering plans involved in this project and specifically excludes revisions after this date, unless reauthenticated.