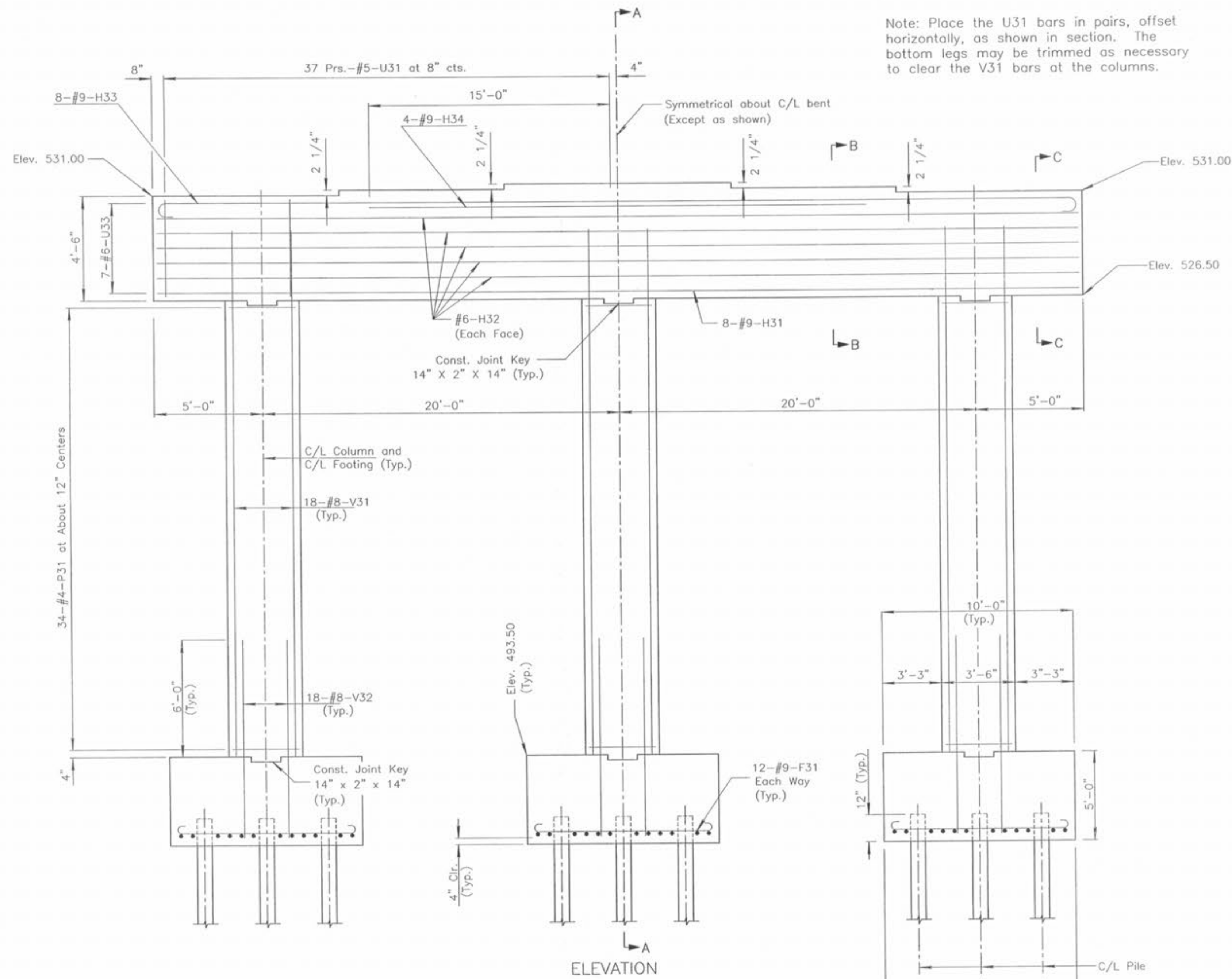
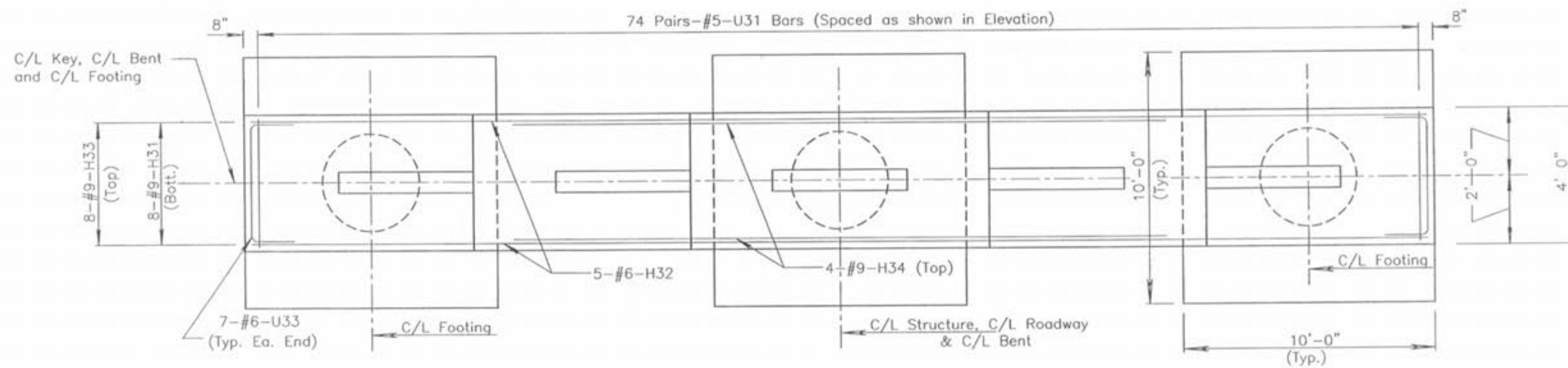


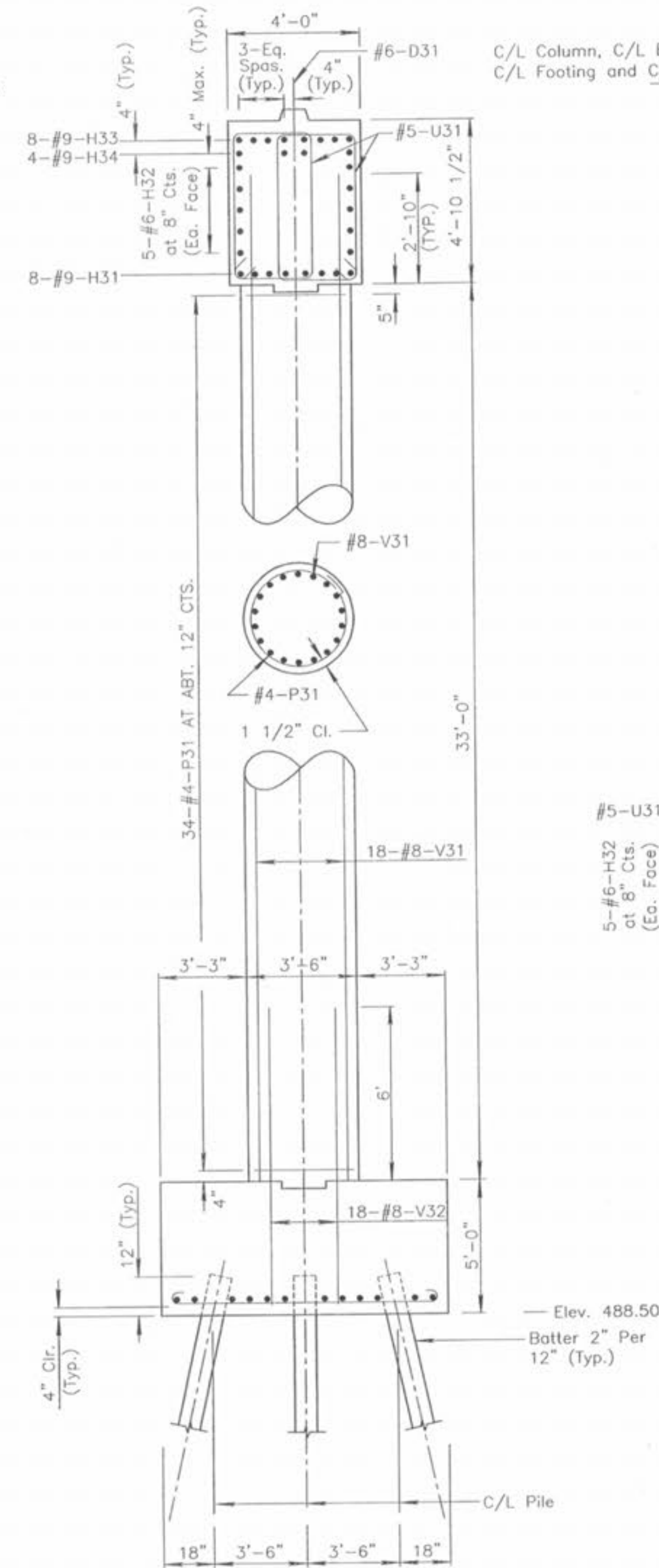
Note: Place the U31 bars in pairs, offset horizontally, as shown in section. The bottom legs may be trimmed as necessary to clear the V31 bars at the columns.



ELEVATION



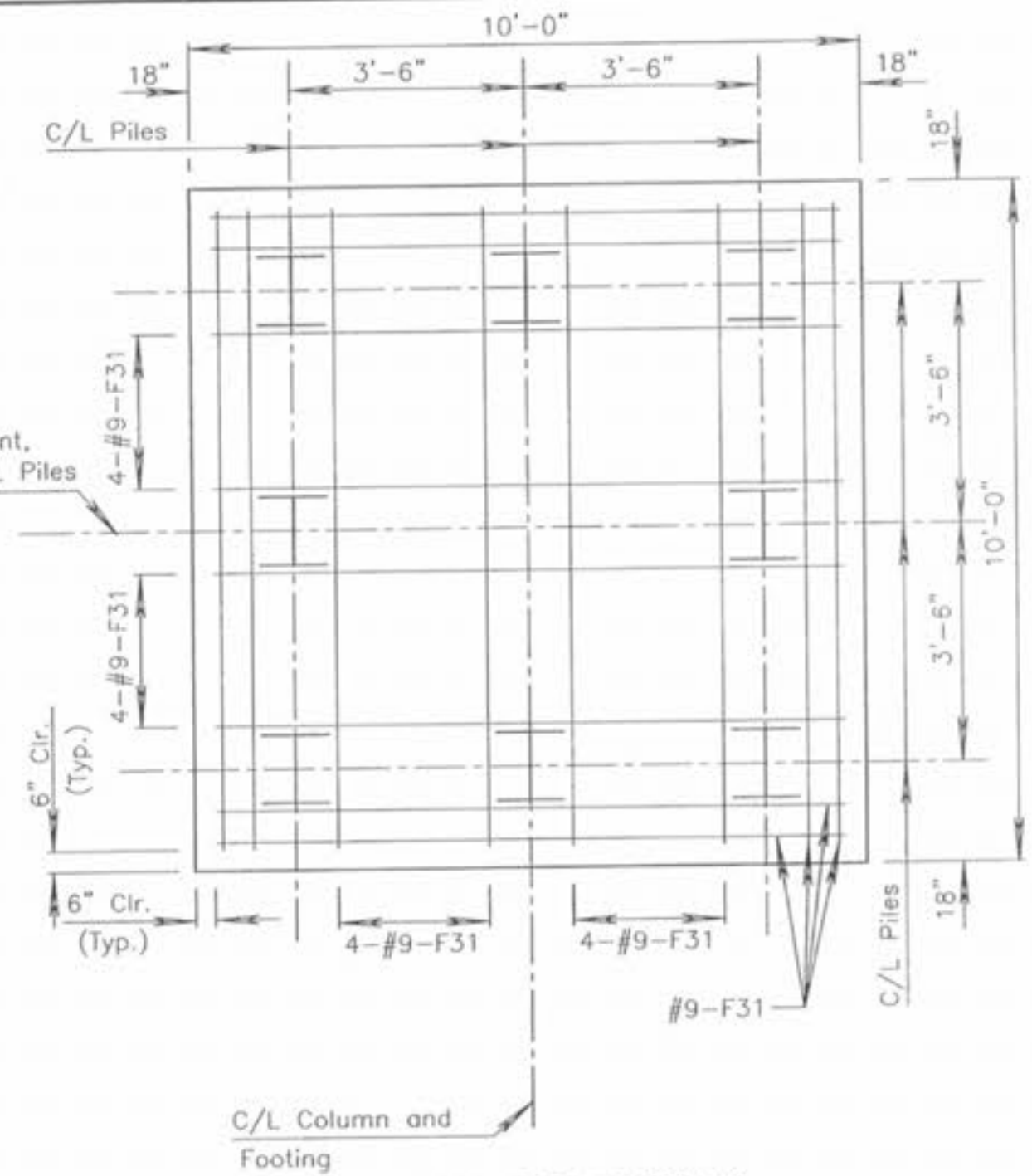
PLANS SHOWING REINFORCEMENT



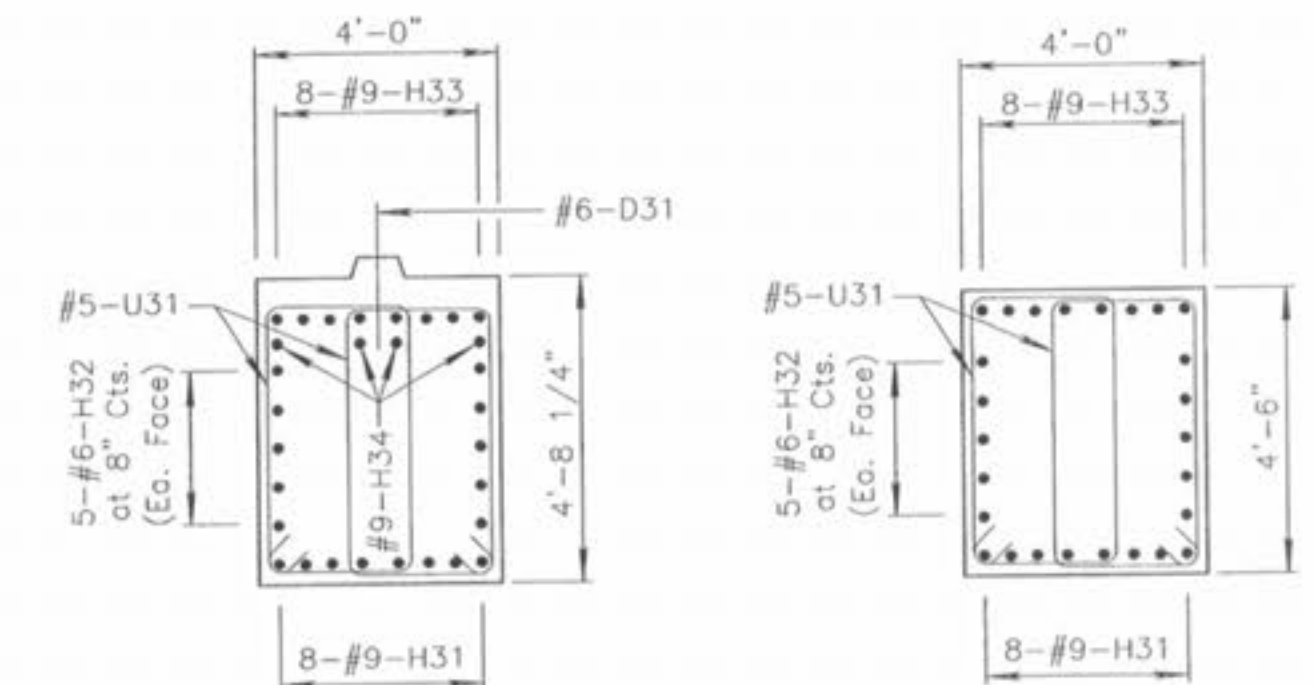
SECTION A-A

Note: Place 4-#9-F31 bars in each space between piles and 2-#9-F31 bars outside piles, as shown (24-F31 bars per footing)

ENGINEER'S AUTHENTICATION: The responsibility for professional engineering liability on this project is hereby limited to the set of plans authenticated by the seal, signature and date hereto attached. Responsibility is disclaimed for all other engineering plans involved in this project and specifically excludes revisions after this date, unless reauthenticated.



PLAN OF FOOTING SHOWING REINFORCEMENT



SECTION B-B

SECTION C-C



DETAILS INTERMEDIATE BENT NO. 3

NOTE: This drawing is not to scale. Follow dimensions.