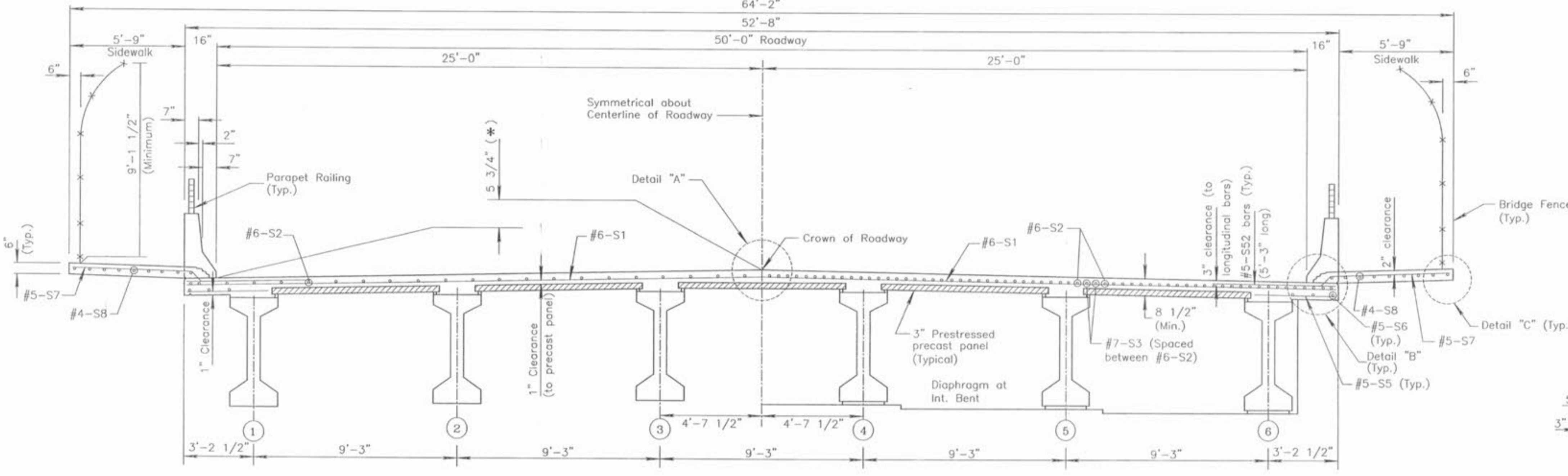
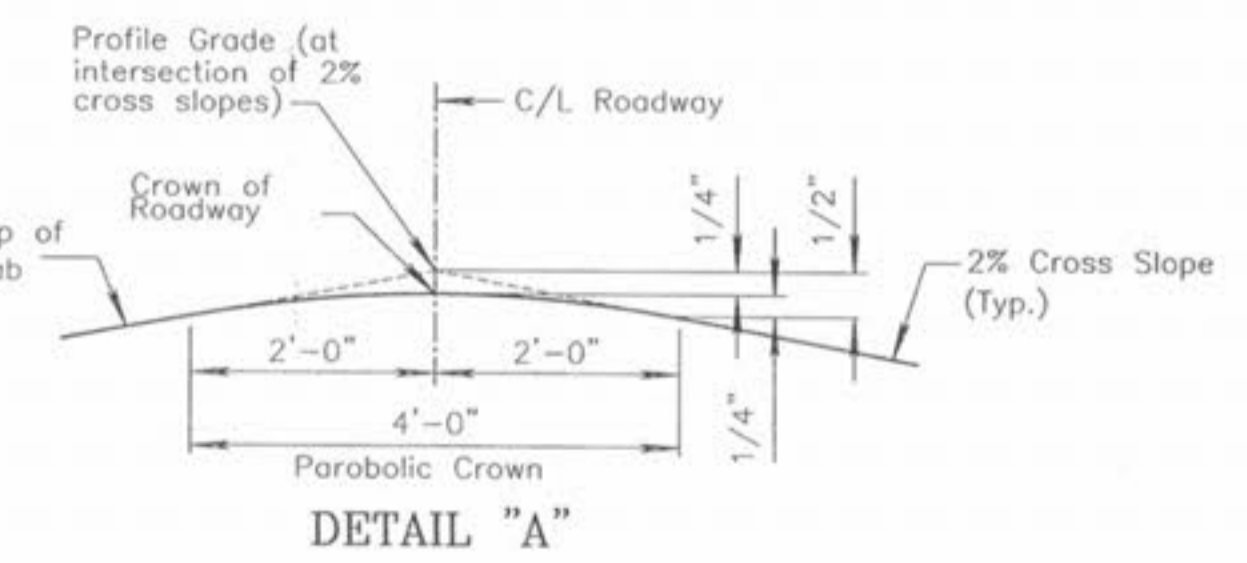


PLAN OF SLAB SHOWING REINFORCEMENT
Note: Longitudinal dimensions are horizontal.



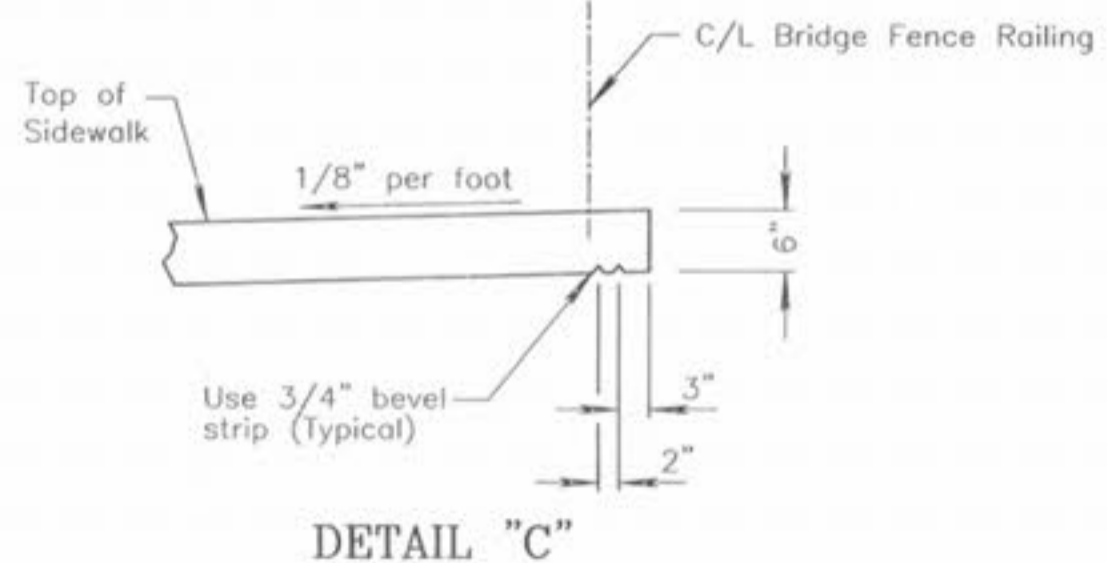
HALF SECTION NEAR CENTERLINE OF SPAN
(* Measured to crown of roadway)

HALF SECTION NEAR INT. BENT

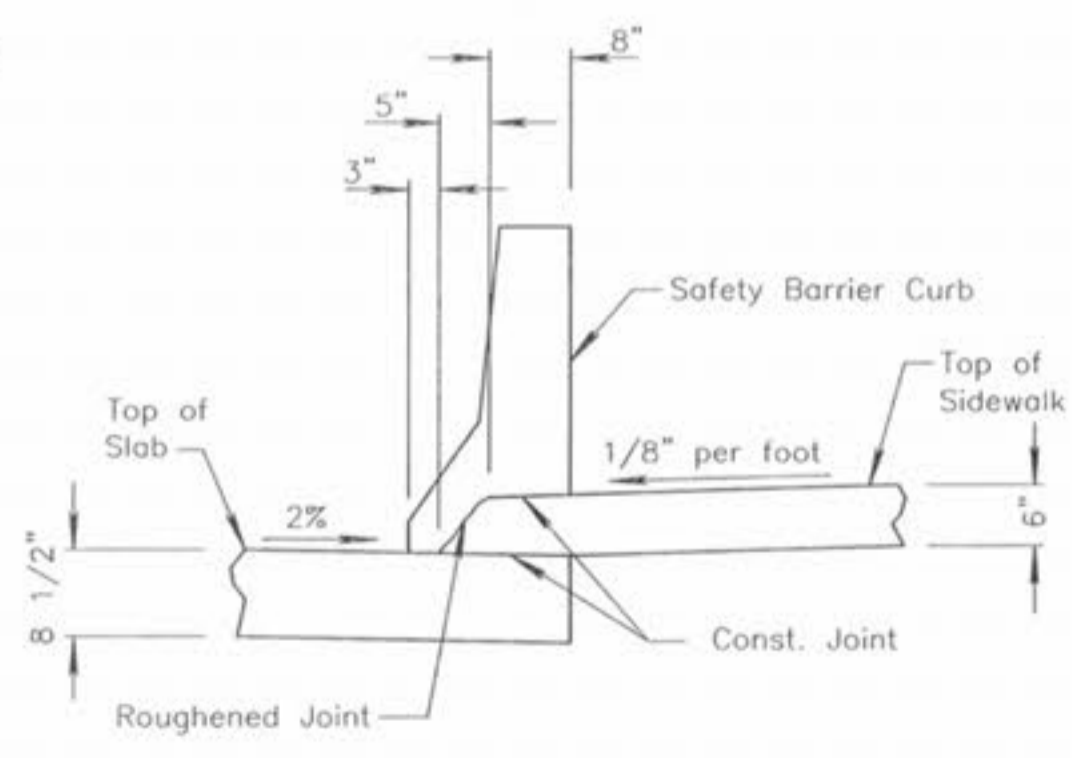


DETAIL "A"

ENGINEER'S AUTHENTICATION: The responsibility for professional engineering liability on this project is hereby limited to the set of plans authenticated by the seal, signature and date hereto attached. Responsibility is disclaimed for all other engineering plans involved in this project and specifically excludes revisions after this date, unless reauthenticated.



DETAIL "C"
(Reinforcement omitted for clarity)



DETAIL "B"
(Reinforcement omitted for clarity)

Note:
For Slab Pouring Sequence, see Sheet No. 20.
For details of Precast Prestressed Panels, see Sheet No. 23.
For Theoretical Slab Haunching Diagram see Sheet No. 20.
For details and reinforcement of Safety Barrier Curb not shown, see Sheets Nos. 26, 27 and 28.
For details of Bridge Fence Railing and Parapet Railing, see Sheet No. 29.



SLAB DETAILS