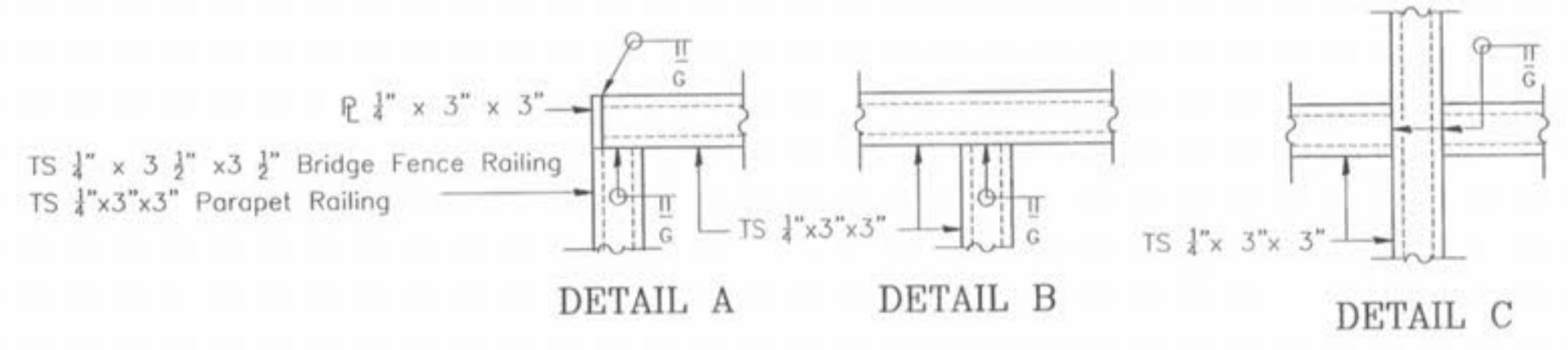
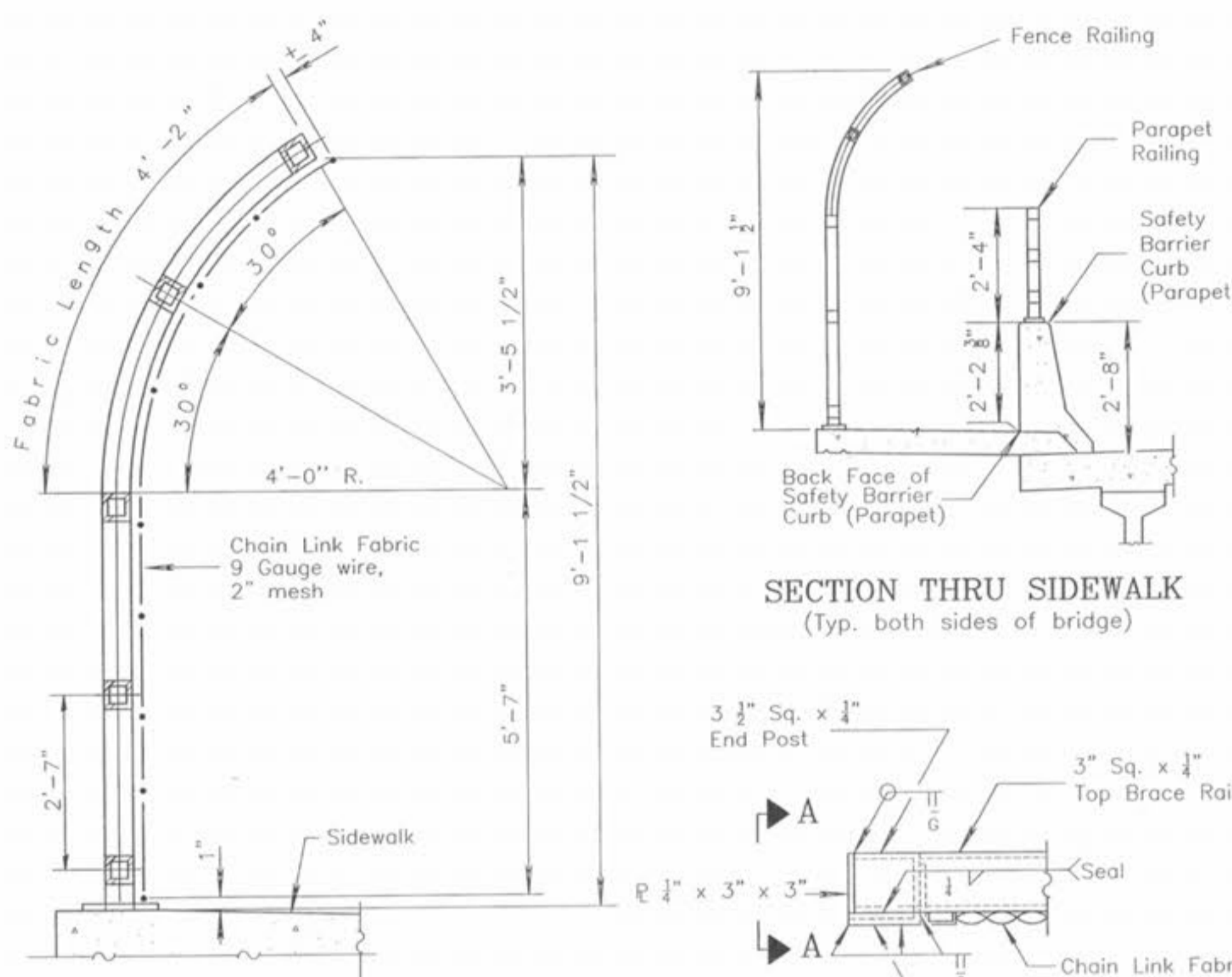


**ELEVATION  
(Inside Face)**

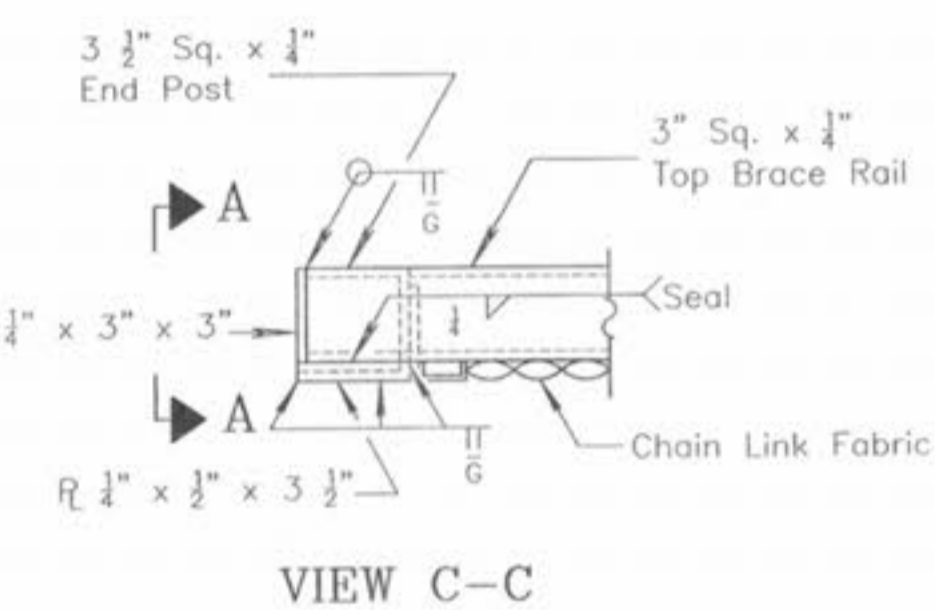


**DETAIL A      DETAIL B      DETAIL C**

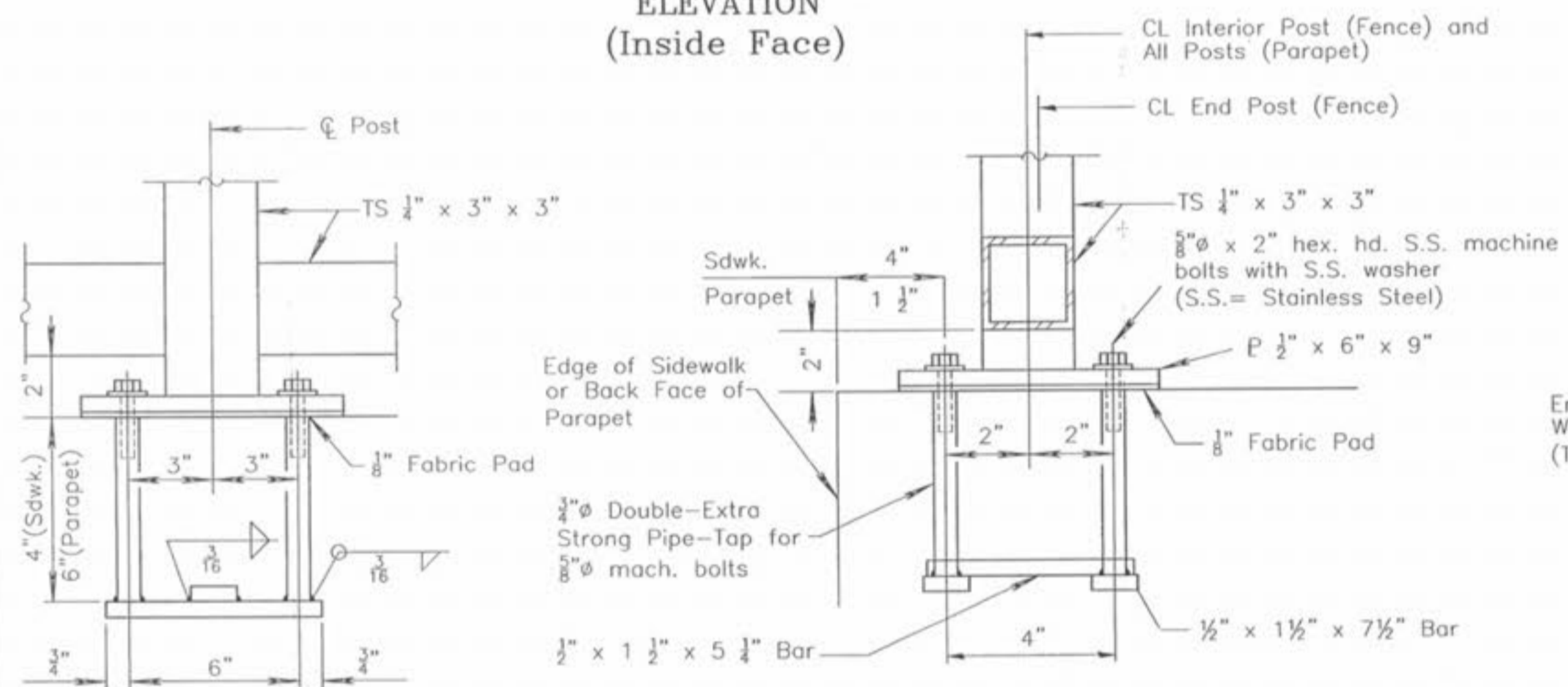


**SECTION A-A**

**SECTION THRU SIDEWALK  
(Typ. both sides of bridge)**

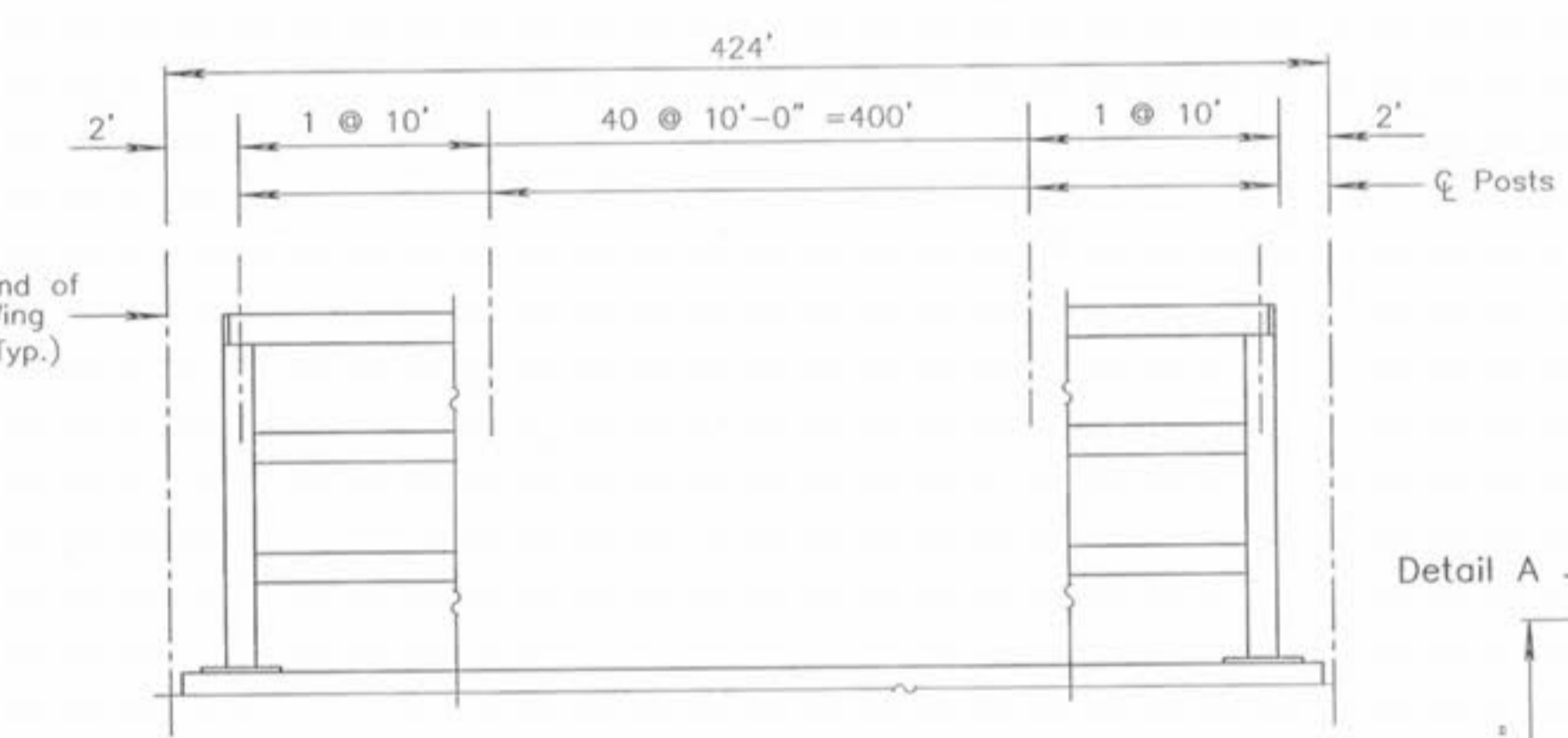


**VIEW C-C**



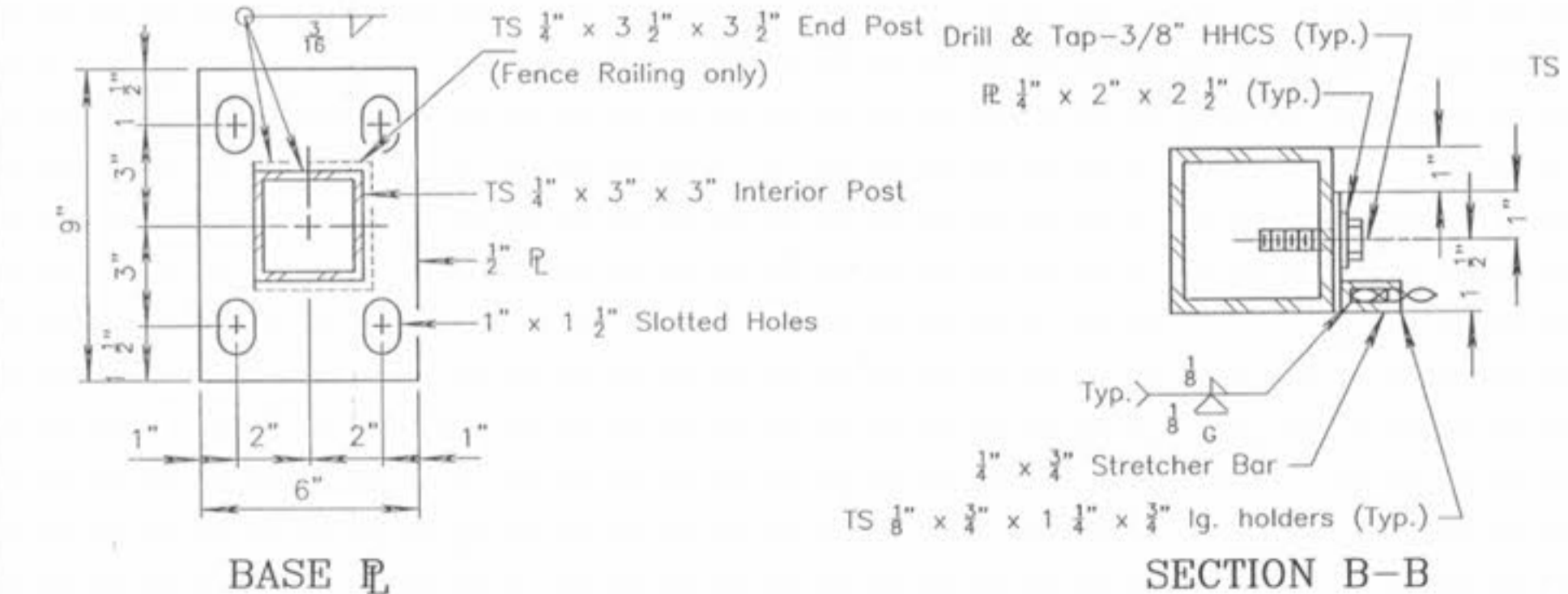
**ANCHOR BOLT DETAILS**

In lieu of the cast-in-place anchor device shown, the Contractor has the option of drilling and epoxy grouting 5/8\"/>



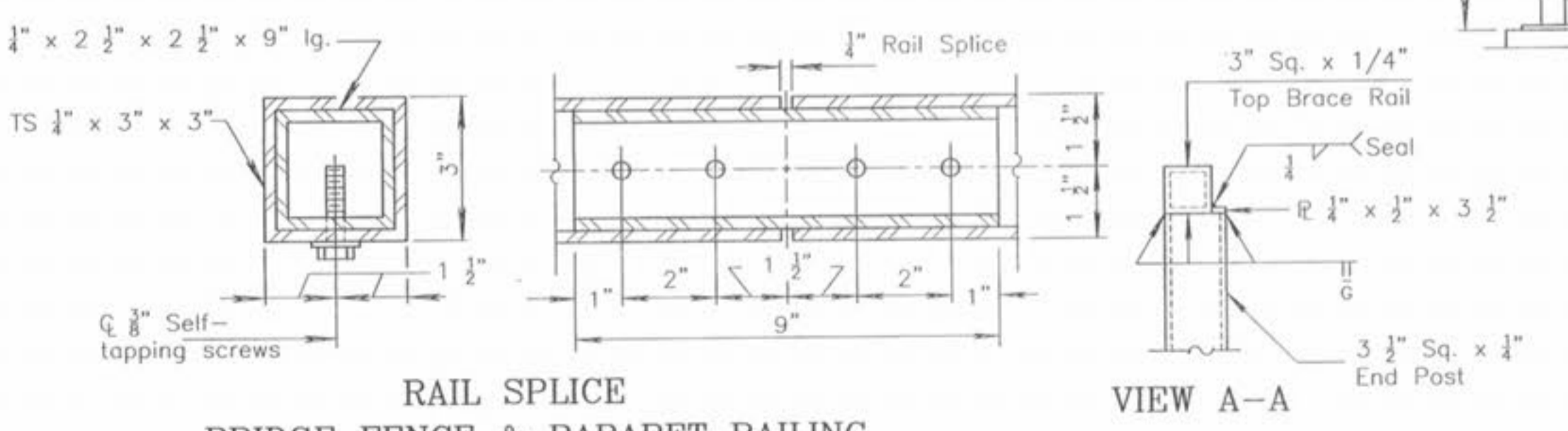
**POST SPACING DETAIL  
(Typ. for Fence Railing and Parapet Railing)**

**ENGINEER'S AUTHENTICATION:** The responsibility for professional engineering liability on this project is hereby limited to the set of plans authenticated by the seal, signature and date hereto attached. Responsibility is disclaimed for all other engineering plans involved in this project and specifically excludes revisions after this date, unless reauthenticated.



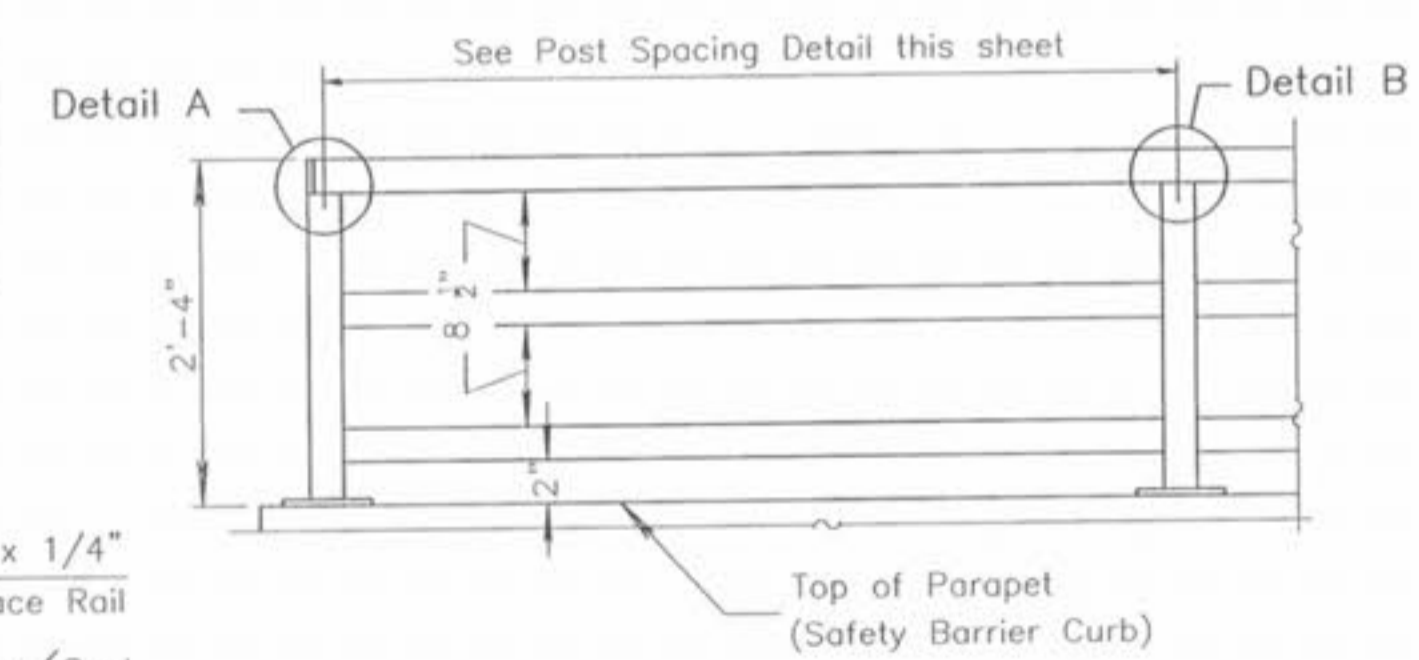
**BASE P**

**SECTION B-B**



**RAIL SPLICE  
BRIDGE FENCE & PARAPET RAILING**

**VIEW A-A**



**PARAPET RAILING  
ELEVATION**

**BRIDGE FENCE &  
PARAPET RAILING**

NOTE: This drawing is not to scale. Follow dimensions.

