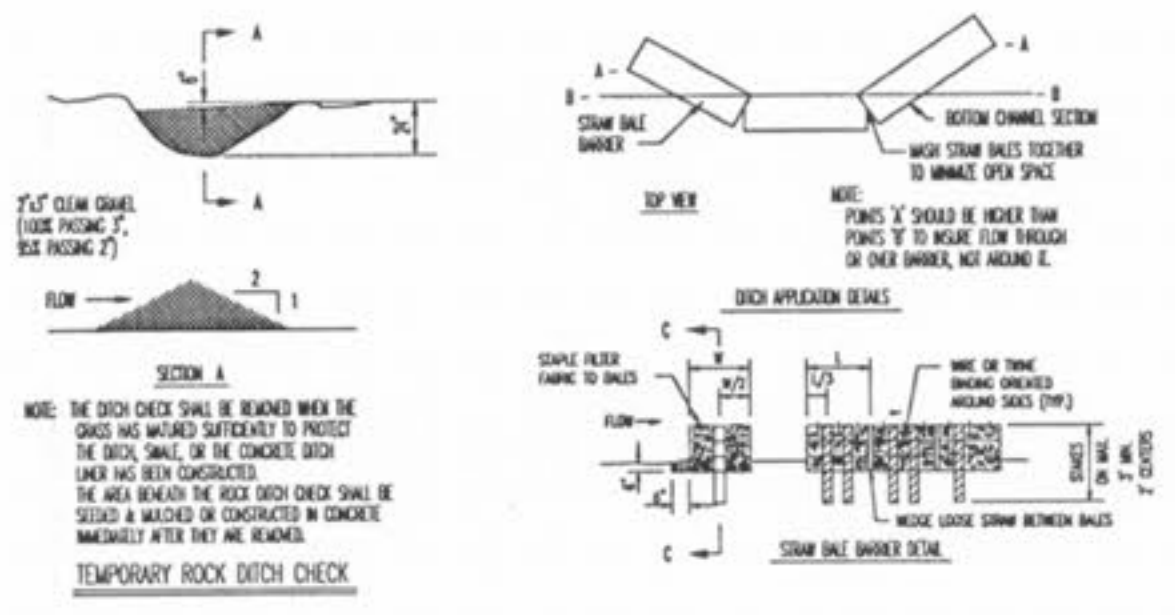
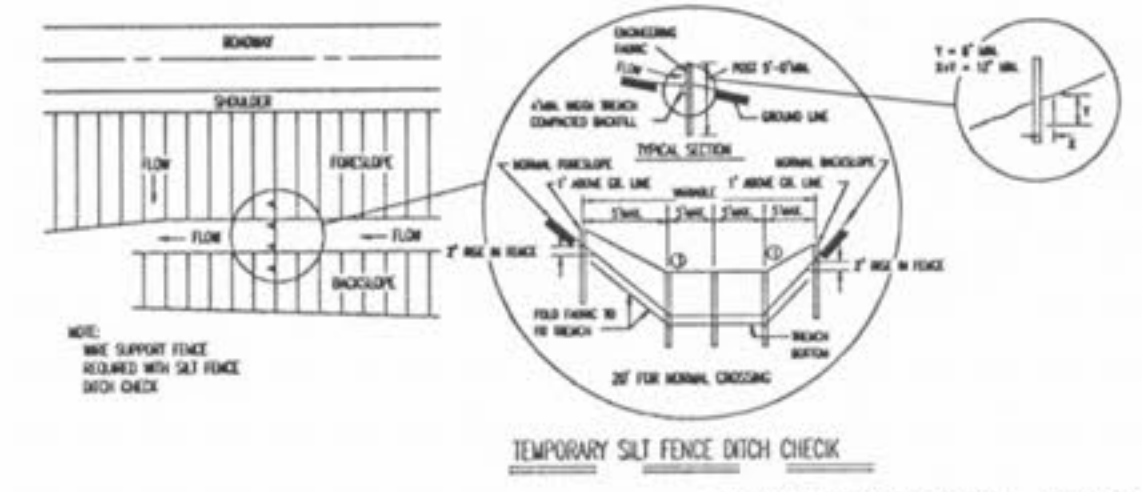


GENERAL NOTES:  
 1. Minimum longitudinal slope overlap shall be 2" with a post at each end.  
 2. Secure fabric to posts.

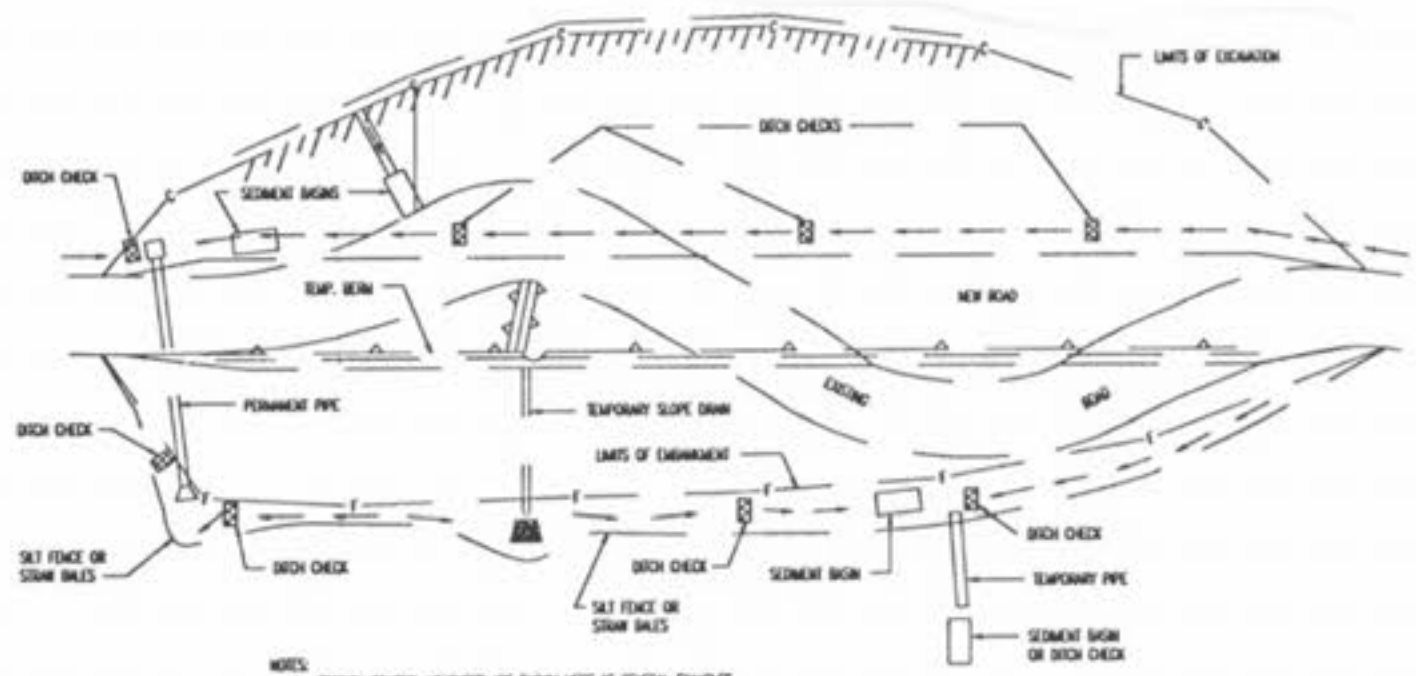
DEPTH OF SLOPE	SPACING
1.5	100
2.0	125
2.5	150
3.0	175
3.5	200
4.0	225
4.5	250
5.0	275
5.5	300
6.0	325
6.5	350
7.0	375
7.5	400
8.0	425
8.5	450
9.0	475
9.5	500
10.0	525
10.5	550
11.0	575
11.5	600
12.0	625
12.5	650
13.0	675
13.5	700
14.0	725
14.5	750
15.0	775
15.5	800
16.0	825
16.5	850
17.0	875
17.5	900
18.0	925
18.5	950
19.0	975
19.5	1000



NOTE: THE DITCH CHECK SHALL BE REINFORCED WITH THE CHECK AND WEARS SUITABLY TO PROTECT THE DITCH, DRAIN, OR THE CONCRETE DITCH LAVER AND BEIN CONSTRUCTED IN THE AREA BEHIND THE ROCK DITCH CHECK SHALL BE SEALED & MANICURED OR CONCRETED IN CONCRETE IMMEDIATELY AFTER THEY ARE REPAIRED.  
 TEMPORARY ROCK DITCH CHECK



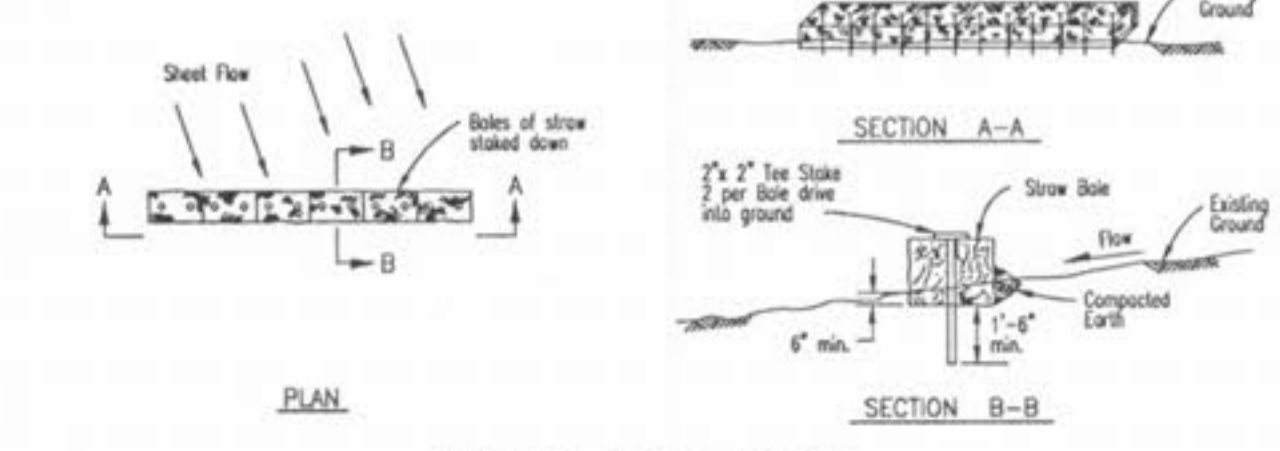
TEMPORARY SILT FENCE DITCH CHECK  
 TEMPORARY DITCH CHECKS  
 (NOTE: TEMPORARY ROCK DITCH CHECKS ARE NOT ALLOWED BY THE CITY OF O'FALLON.)



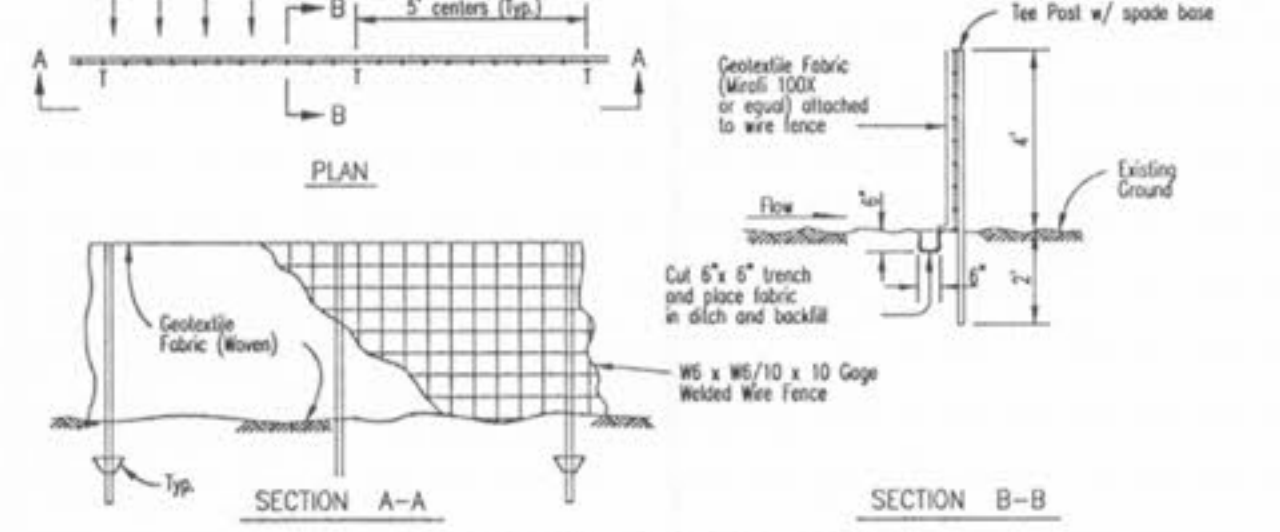
NOTE:  
 1. EROSION CONTROL MEASURES ARE SHOWN HERE AS GENERAL EXAMPLES. ACTUAL CONSTRUCTION MAY VARY FROM THESE MEASURES.  
 2. C- = CUT LIMITS, F- = FILL LIMITS.  
 3. TEMPORARY OR FINAL SEEDING IMMEDIATELY UPON COMPLETION OF GRADING.

GENERIC TEMPORARY EROSION CONTROL PLAN

GENERAL NOTES  
 1. Do not scale drawing. Follow dimensions.

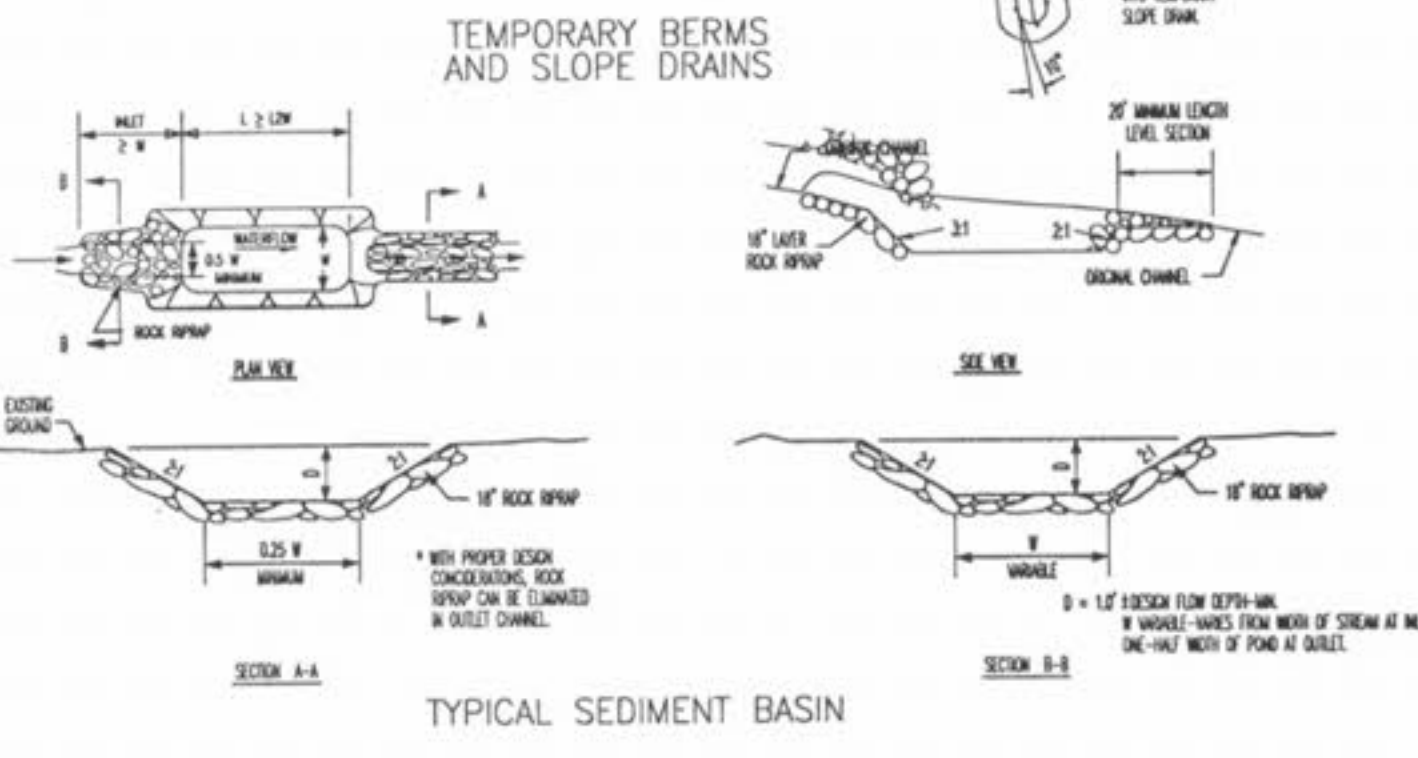
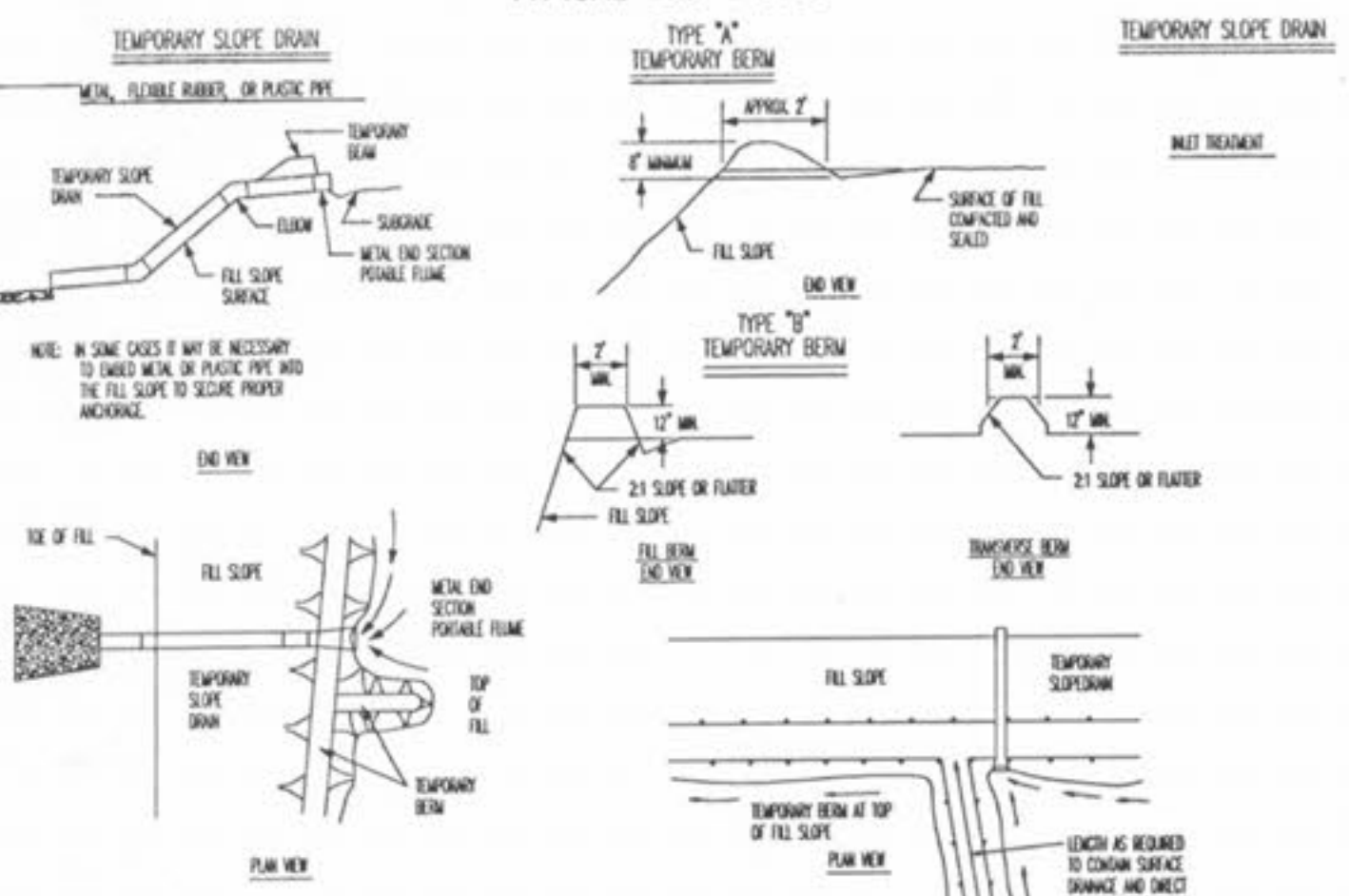


STRAW BALE DETAIL



SILTATION FENCE DETAIL

GENERAL NOTES  
 1. Do not scale drawing. Follow dimensions.  
 2. Additional straw bales may be required as directed by the Department.  
 3. Siltation Control Devices to remain in place until adequate vegetative growth insures no further erosion of the soil.  
 4. Siltation Fences shall be inspected periodically for damage and for the amount of sedimentation which has accumulated. Removal of sediment will be required when it reaches 1/2 of the height of the siltation fence.  
 5. Straw Bales shall be inspected periodically for deterioration. Bales which have rotted or failed shall be replaced as directed by the Department.  
 6. Attachment of Woven Wire Fence and Geotextile Fabric to be in accordance with the Manufacturer's recommendation.



STANDARD EROSION CONTROL DEVICES  
 (NOTE: TEMPORARY ROCK DITCH CHECKS ARE NOT ALLOWED BY THE CITY OF O'FALLON.)

04/23/03 - REVISED PER AGENCY COMMENTS  
 03/11/03 - REVISED PER AGENCY COMMENTS

TECHNOLOGY DRIVE / SIEDENTOP ROAD  
 CONSTRUCTION DETAILS

**STOCK & ASSOCIATES CONSULTING ENGINEERS, INC.**  
 425 NORTH NEW BALLAS ROAD  
 SUITE 165  
 ST. LOUIS, MO. 63141  
 PH. (314) 432-8100  
 FAX (314) 432-8171  
 e-mail: generon@stockassoc.com

STATE OF MISSOURI  
 REGISTERED PROFESSIONAL ENGINEER  
 GEORGE MICHAEL STOCK  
 NUMBER E-25116  
 GEORGE M. STOCK E-25116

DATE: 08/07/02	CHECKED BY: G.M.S.	DATE: 08/07/02	JOB NUMBER: 200-2180.12	SHEET: 41 of 48
----------------	--------------------	----------------	-------------------------	-----------------