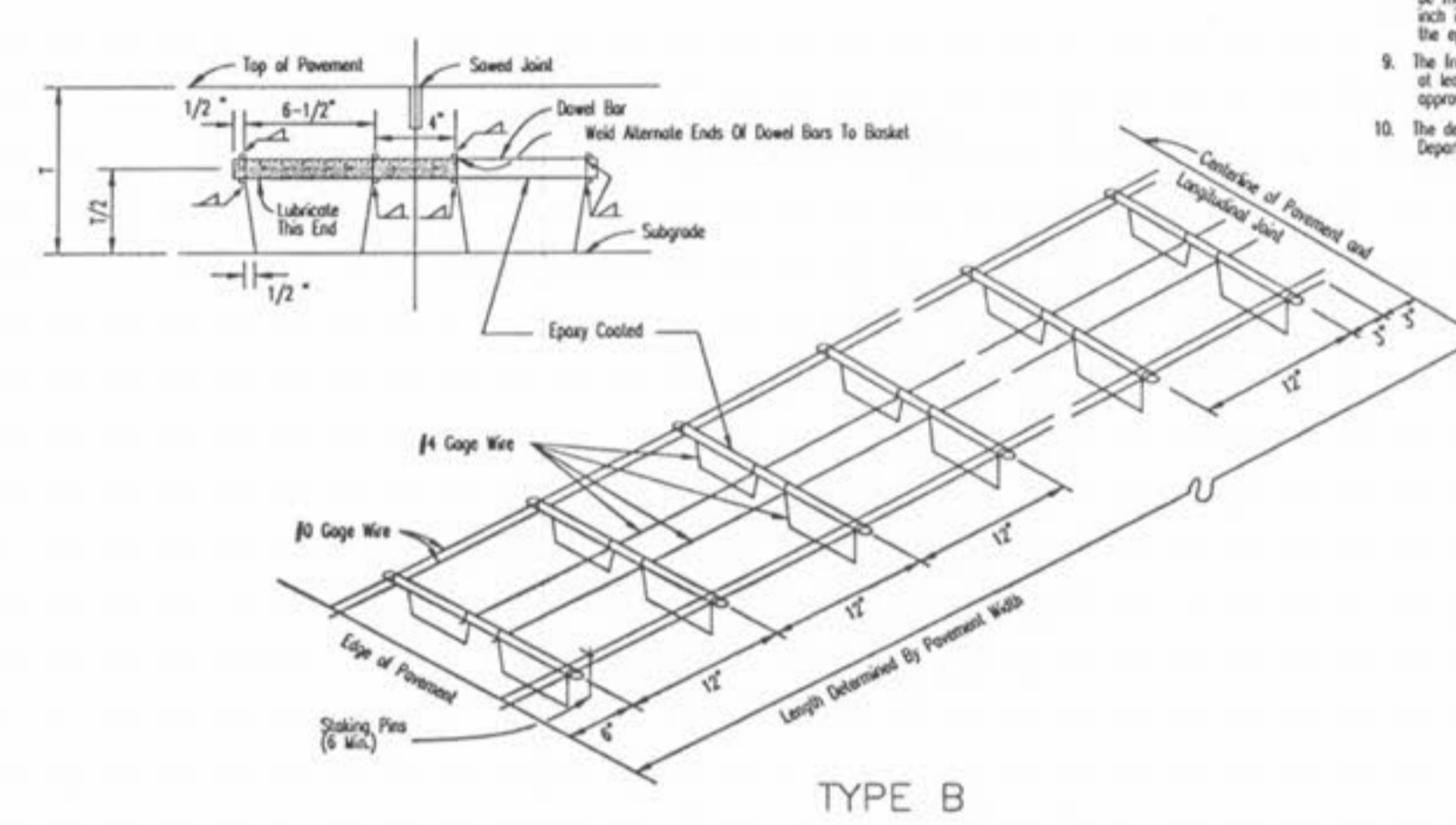
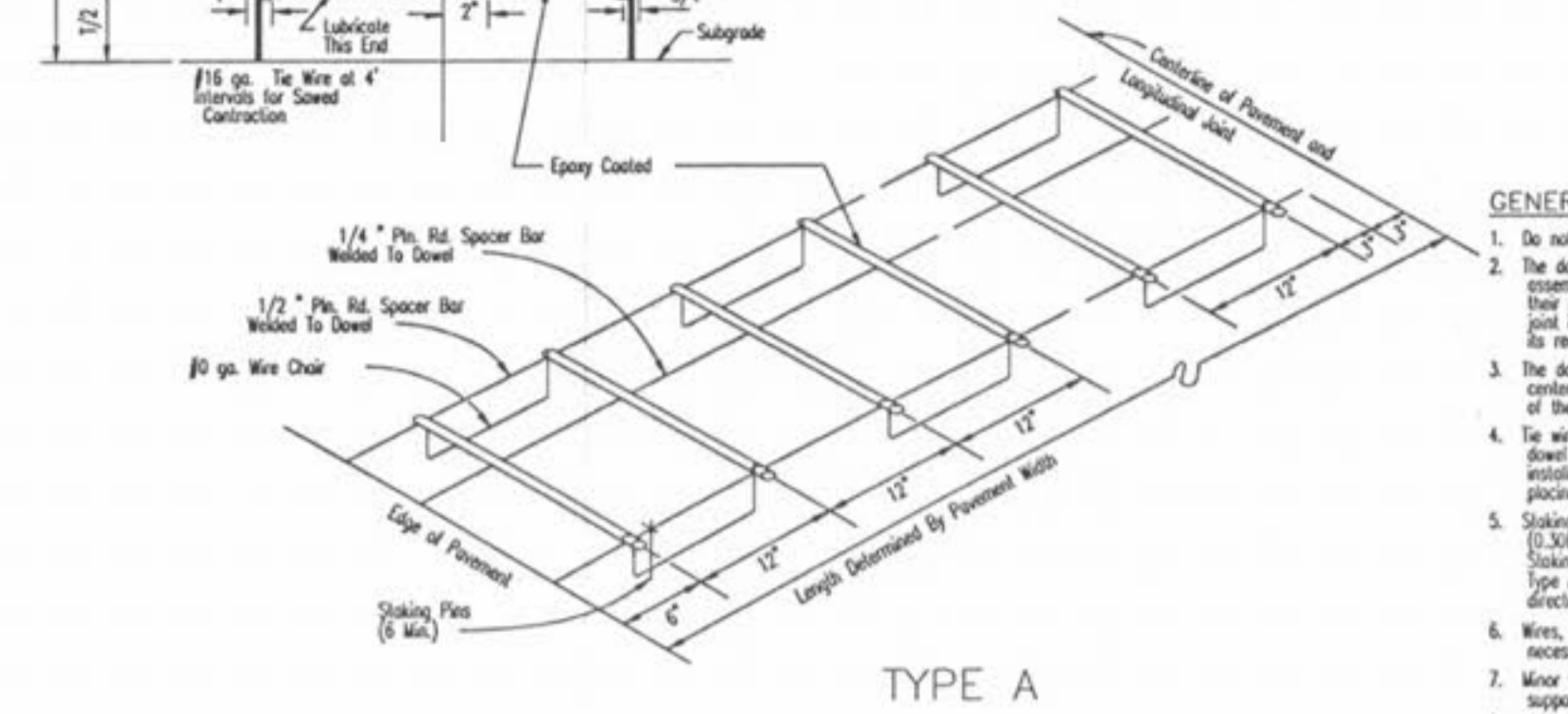
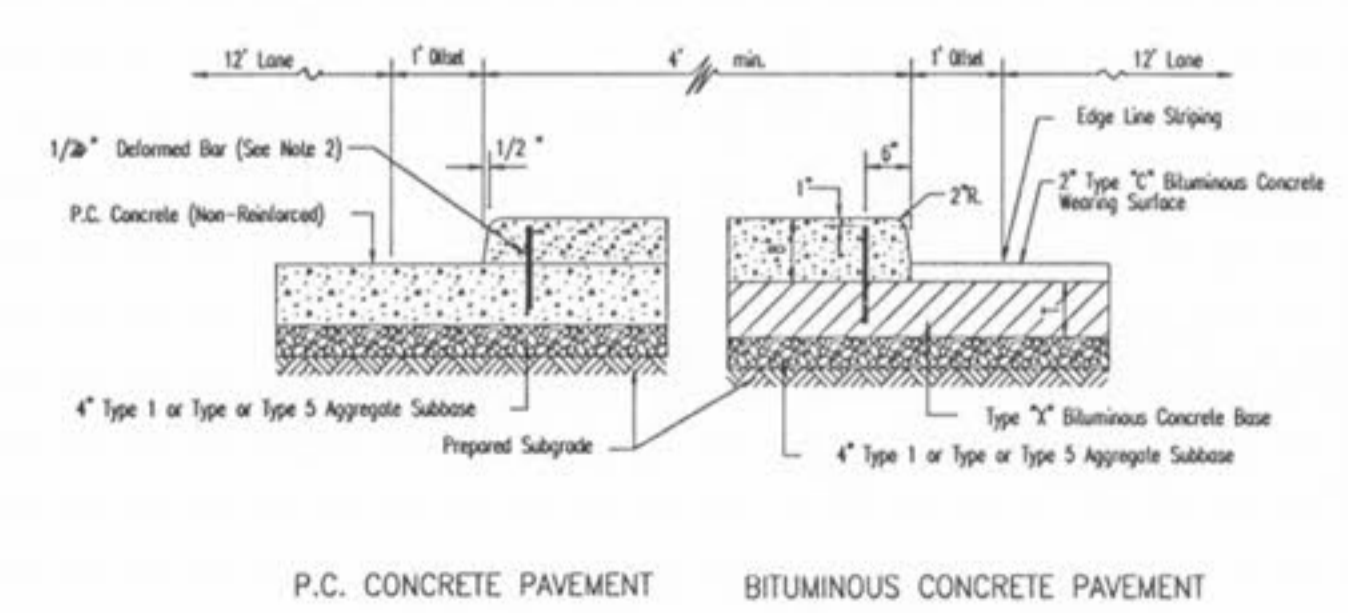


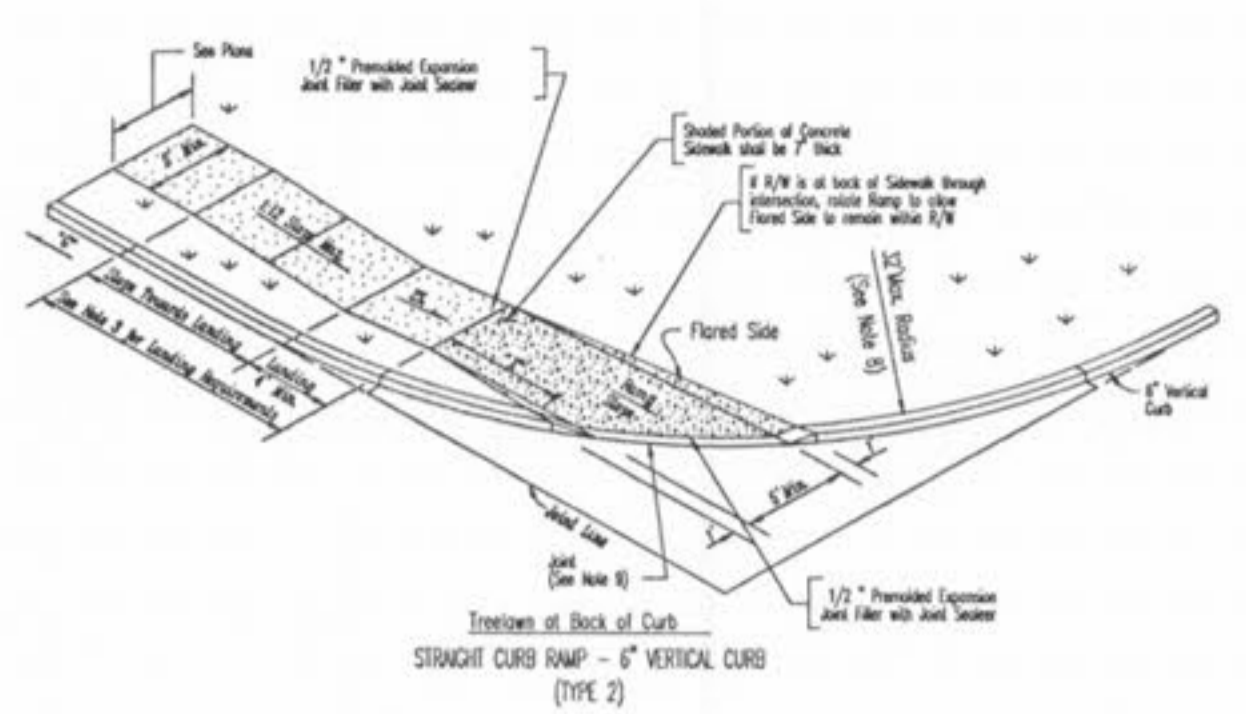
| DOWEL BARS-EPOXY COATED |          |        |
|-------------------------|----------|--------|
| PAVEMENT THICKNESS      | BAR SIZE |        |
|                         | DIAMETER | LENGTH |
| 7"                      | 1"       | 18"    |
| 8"                      | 1"       | 18"    |
| 9" or 10"               | 1-1/4"   | 18"    |



**DOWEL SUPPORTING UNITS APPROVED FOR USE WITH TRAVERSE JOINTS**

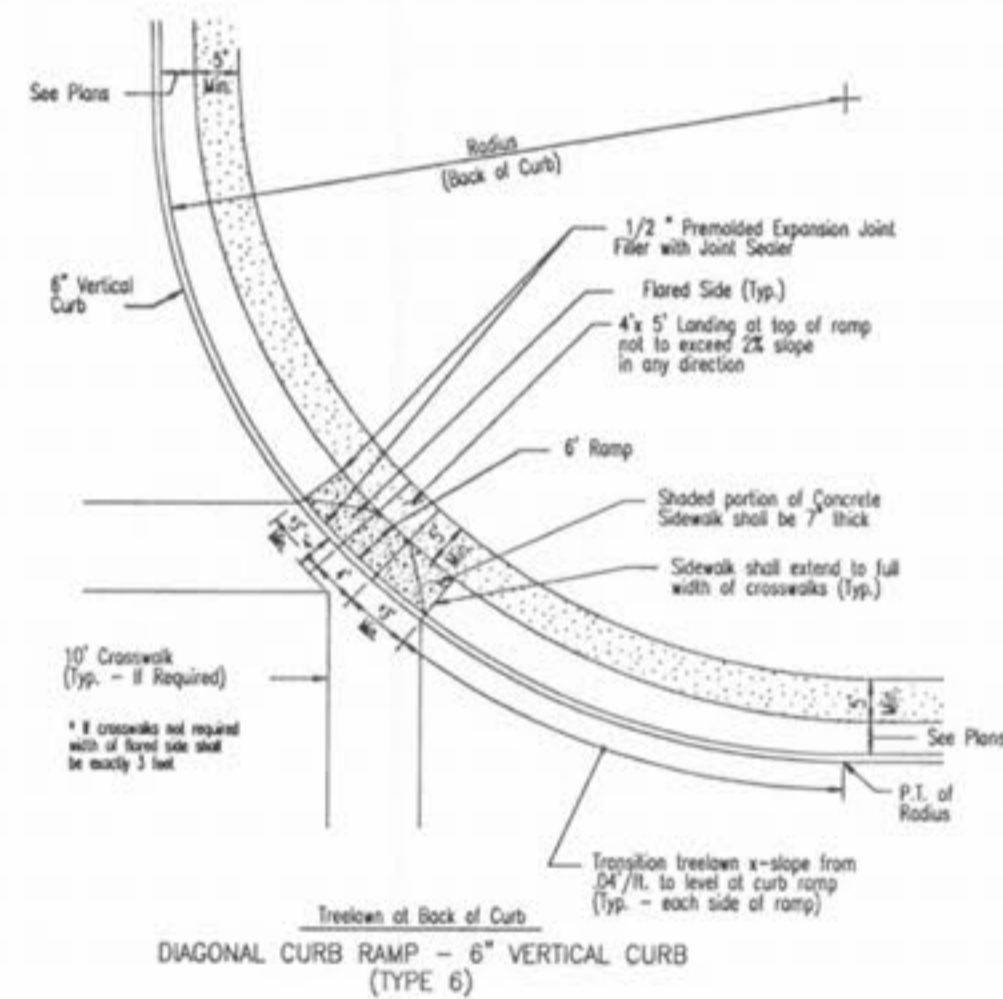


- GENERAL NOTES**
- Do not scale drawing. Follow dimensions.
  - Length of the tie bars shall equal the thickness of pavement plus the height of curb less 1".
  - All necessary pavement markings shall be as required by South Louisiana County. For details refer to Guidelines for Pavement Markings and Line Striping, Std. Draw. CS02.10.
  - Transverse joint spacing for the concrete median shall be the same as the adjacent concrete pavement or as soil, unless with bituminous pavement.



| TYPE 1 AND TYPE 2 CURB RAMPS |                            |
|------------------------------|----------------------------|
| "C" GRADE ALONG CURB (%)     | MIN. LENGTH OF RAMP (L.F.) |
| NEGATIVE (-) VALUES          | 6                          |
| 0 TO +1                      | 7                          |
| +1.01 TO +2                  | 8                          |
| +2.01 TO +3                  | 10                         |
| +3.01 TO +4                  | 12                         |
| GREATER THAN +4              | 15                         |

NOTE: Positive (+)% - Proceeding away from intersection and up a grade.  
 Negative (-)% - Proceeding away from intersection and down a grade.



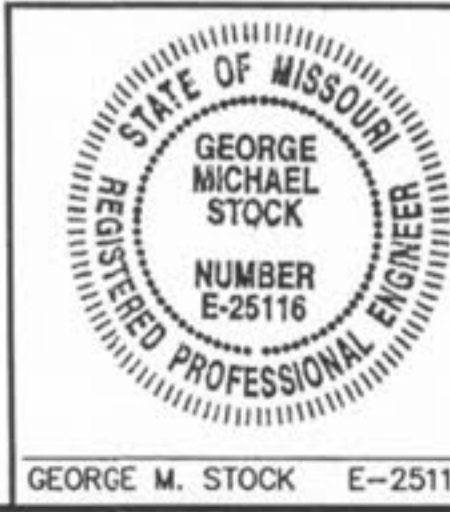
03/11/03 - REVISED PER AGENCY COMMENTS

**TECHNOLOGY DRIVE / SIEDENTOP ROAD CONSTRUCTION DETAILS**

**STOCK & ASSOCIATES CONSULTING ENGINEERS, INC.**

425 NORTH NEW BALLAS ROAD  
 SUITE 165  
 ST. LOUIS, MO. 63141  
 PH. (314) 432-8100  
 FAX (314) 432-8171  
 e-mail: general@stockassoc.com

|                |                    |                |                         |                 |
|----------------|--------------------|----------------|-------------------------|-----------------|
| DATE: 08/07/02 | CHECKED BY: G.M.S. | DATE: 08/07/02 | JOB NUMBER: 200-2180.12 | SHEET: 43 of 48 |
|----------------|--------------------|----------------|-------------------------|-----------------|



**6" RAISED DOWELED-ON CONCRETE MEDIAN**

**STANDARD GUARDRAIL DETAILS**