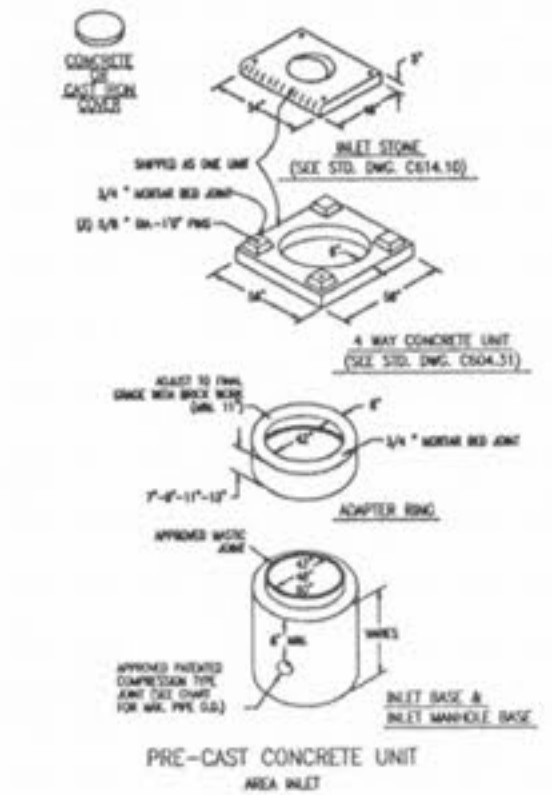


1. Do not scale drawing. Follow dimensions.
2. The details shown are adopted from Revised Standard Construction Details for Sewers and Drainage Facilities dated 1992.
3. The standard specification sections noted refer to the Standard Construction Specifications for Sewers and Drainage Facilities of the Metropolitan St. Louis Sewer District dated 1992.
4. Inlets may be located 2.5 feet from the back of rolled curb. Add 0.5 feet to oil sump dimensions for oil inlets that are 2.5 feet offset.
5. For canted inlets, the sump shall extend 2.0 feet from the projection of the back of the curb.



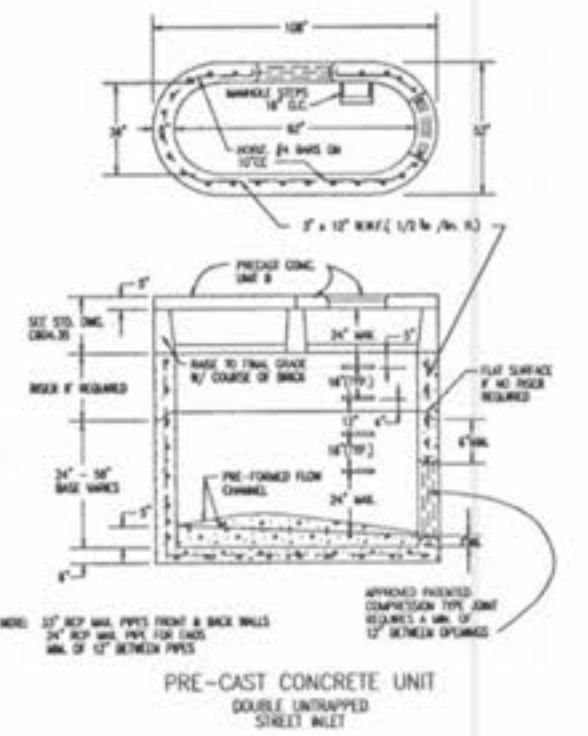
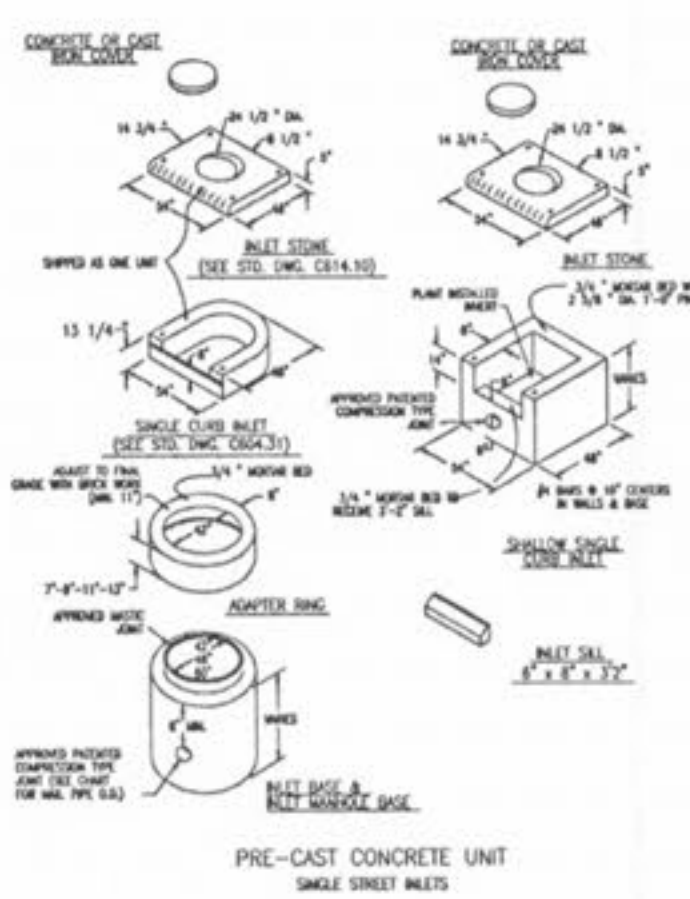
PRECAST CONCRETE STORMWATER STRUCTURES  
MINIMUM DISTANCE FROM FACE TO TOP OF STONE OR GRATE

INLET SIZE (IN)	MINIMUM DISTANCE (IN)	MINIMUM DISTANCE (IN)	MINIMUM DISTANCE (IN)	MINIMUM DISTANCE (IN)
12"	12"	12"	12"	12"
18"	18"	18"	18"	18"
24"	24"	24"	24"	24"
30"	30"	30"	30"	30"
36"	36"	36"	36"	36"
42"	42"	42"	42"	42"
48"	48"	48"	48"	48"
54"	54"	54"	54"	54"
60"	60"	60"	60"	60"

NOTE: 1. 1/2" MIN. CLEARANCE FROM TRANSFER SECTION TO 1/2" DIA. MANHOLE TO TOP OF MANHOLE.  
2. 1/2" MIN. CLEARANCE FROM TRANSFER SECTION TO 1/2" DIA. MANHOLE TO TOP OF MANHOLE.

GENERAL NOTES

1. Do not scale drawing. Follow dimensions.
2. The details shown are adopted from the Standard Construction Details for Sewers and Drainage Facilities of the Metropolitan St. Louis Sewer District dated 2000.
3. The standard specification sections noted refer to the Standard Construction Specifications for Sewers and Drainage Facilities of the Metropolitan St. Louis Sewer District dated 2000.
4. Check all concrete refers to the Metropolitan St. Louis Sewer District requirements.

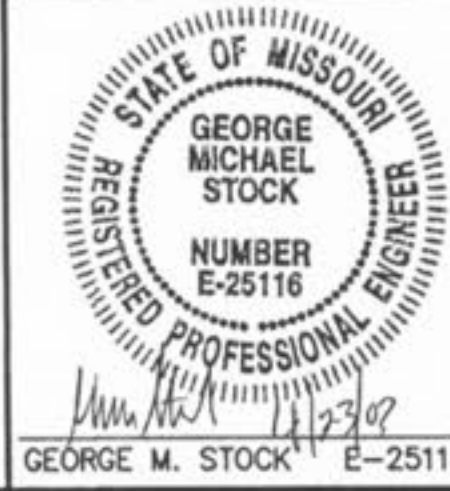


PRECAST CONCRETE STORMWATER STRUCTURES

03/11/03 - REVISED PER AGENCY COMMENTS

TECHNOLOGY DRIVE / SIEDENTOP ROAD  
CONSTRUCTION DETAILS

**STOCK & ASSOCIATES CONSULTING ENGINEERS, INC.**  
425 NORTH NEW BALLAS ROAD  
SUITE 165  
ST. LOUIS, MO. 63141  
PH. (314) 432-8100  
FAX (314) 432-8171  
e-mail: general@stockassoc.com



DATE: 08/07/02	CHECKED BY: G.M.S.	DATE: 08/07/02	JOB NUMBER: 200-2180.12	SHEET: 44 of 48
----------------	--------------------	----------------	-------------------------	-----------------