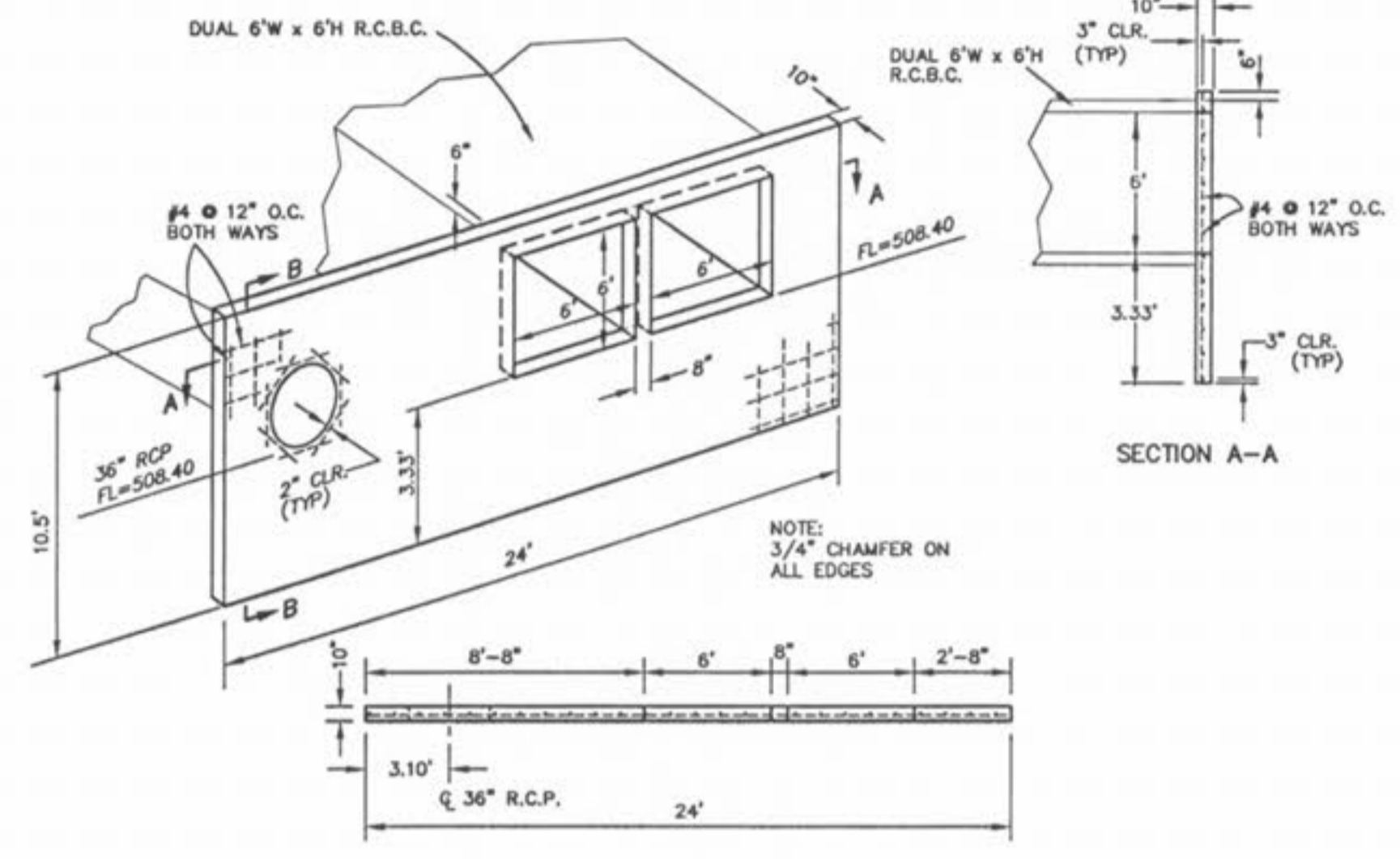
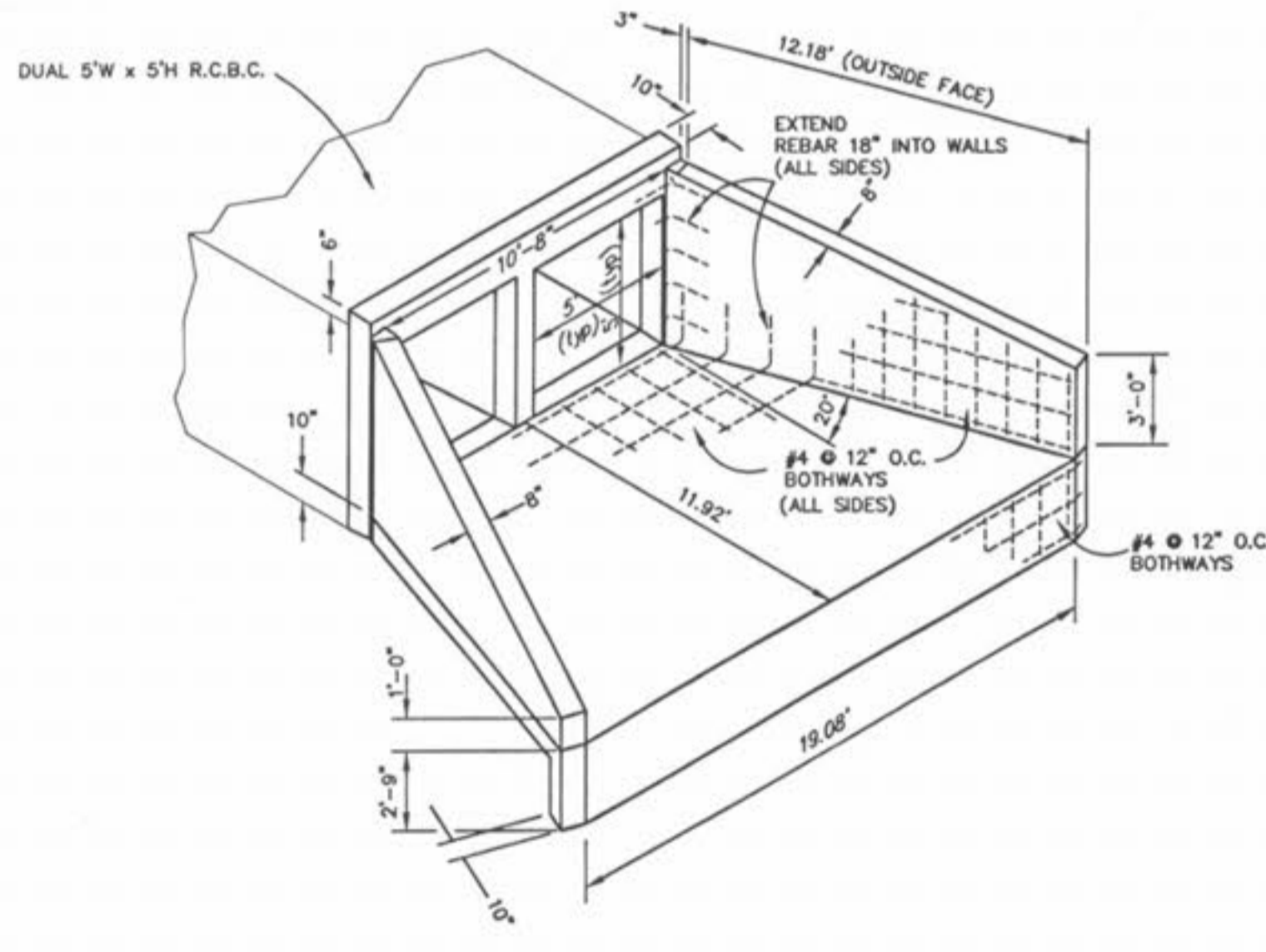


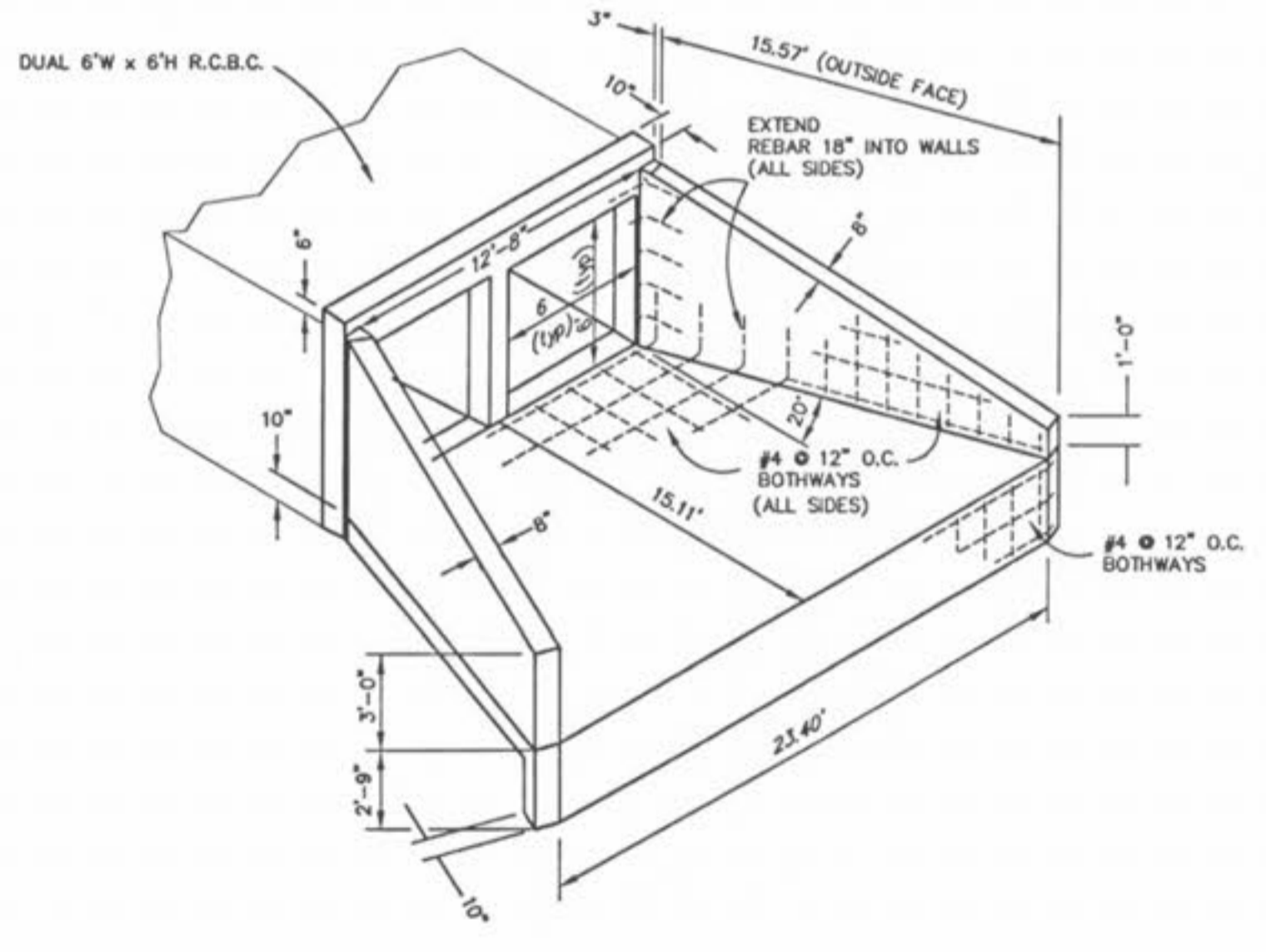
**HEADWALL DETAIL
FOR PIPES 1-1 & 2-1**
N.T.S.



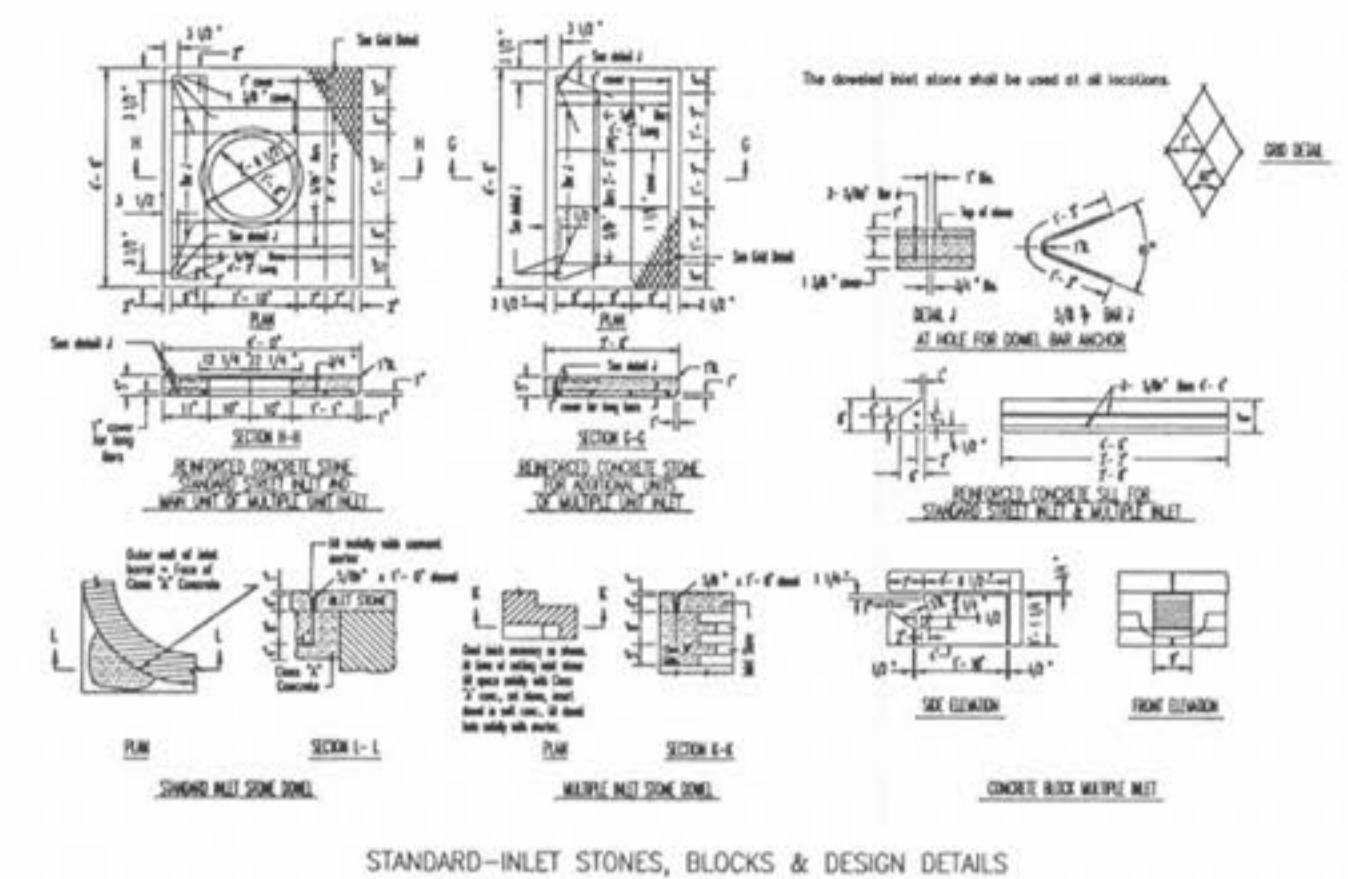
**HEADWALL DETAIL
FOR PIPES 4-1**
N.T.S.



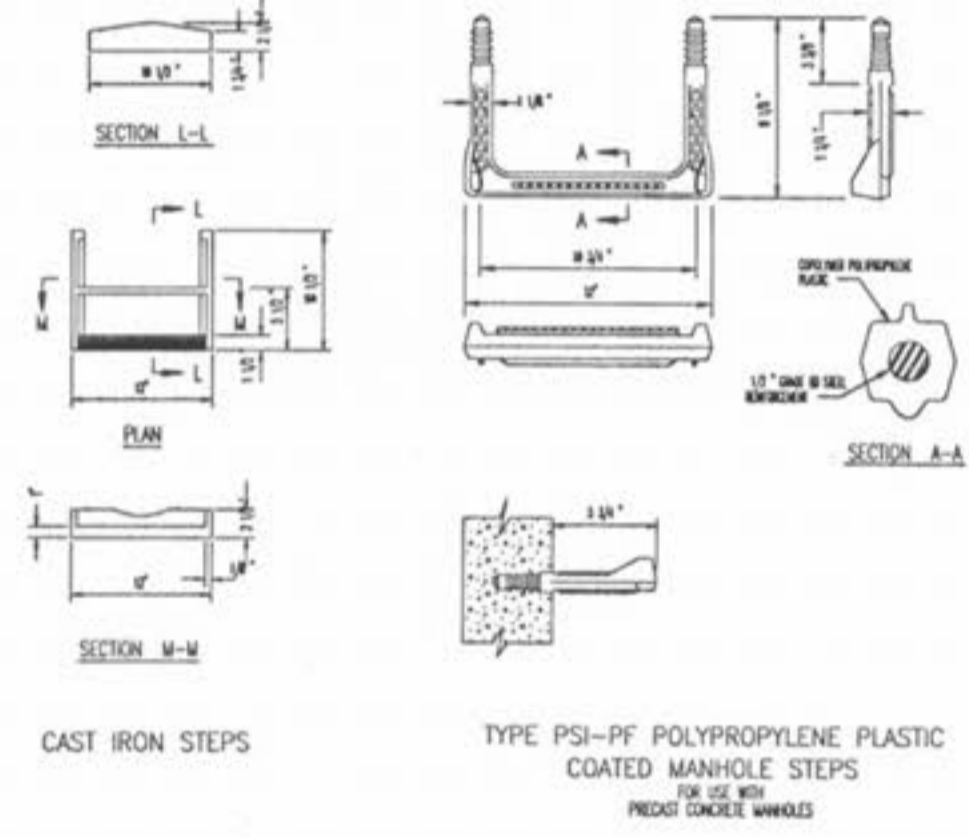
**FLARED HEADWALL DETAIL
UPSTREAM - DUAL 5' x 5'**
N.T.S.



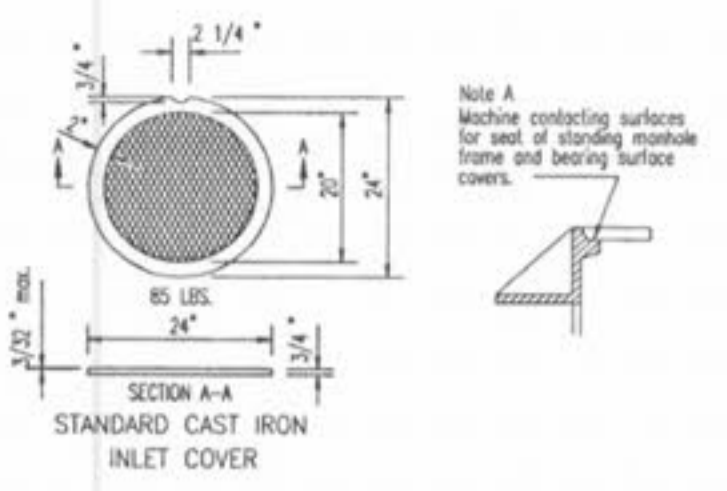
**FLARED HEADWALL DETAIL
UPSTREAM - DUAL 6' x 6'**
N.T.S.



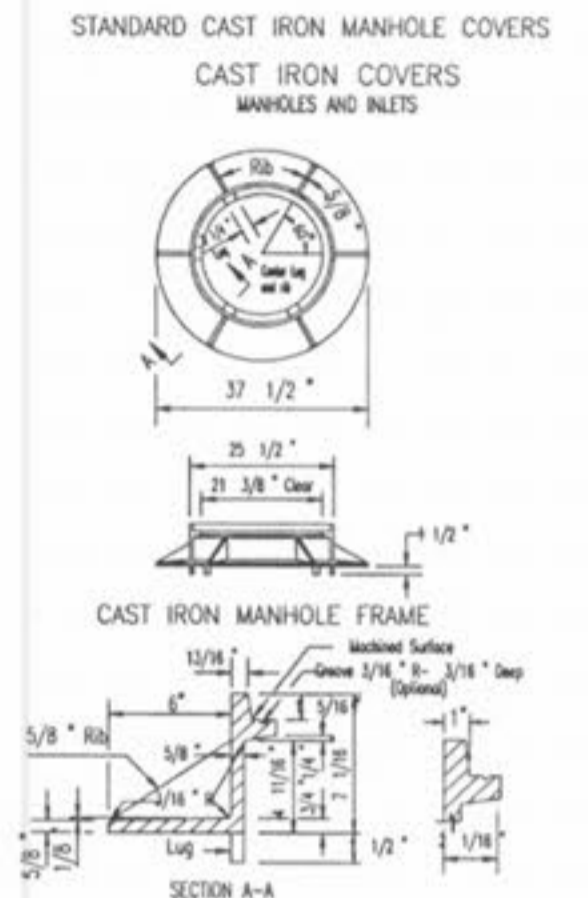
STANDARD-INLET STONES, BLOCKS & DESIGN DETAILS



CAST IRON STEPS
TYPE PSI-PF POLYPROPYLENE PLASTIC
COATED MANHOLE STEPS
FOR USE WITH
PRECAST CONCRETE MANHOLES



STANDARD CAST IRON
INLET COVER



STANDARD CAST IRON MANHOLE COVERS,
MANHOLES AND INLETS



CAST IRON MANHOLE FRAME

- GENERAL NOTES**
1. Do not scale drawing. Follow dimensions.
 2. The details shown are adopted from the 'Revised Standard Construction Details for Sewers and Drainage Facilities' of the Metropolitan St. Louis Sewer District dated 2000.
 3. The standard specification sections noted refer to the 'Standard Construction Specifications for Sewers and Drainage Facilities' of the Metropolitan St. Louis Sewer District dated 2000.
 4. Class A concrete refers to the Metropolitan St. Louis Sewer District Requirements.

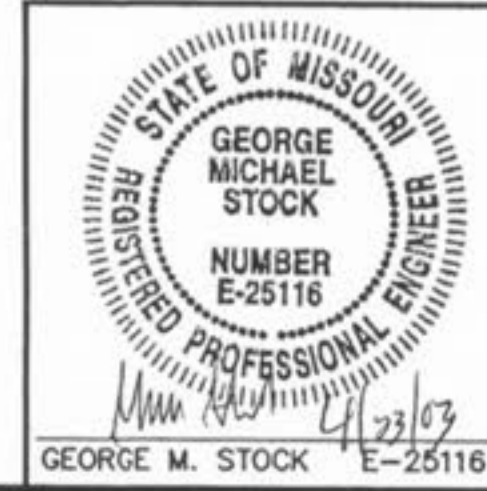
SEWER CASTINGS DETAILS

04/23/03 - REVISED PER AGENCY COMMENTS
03/11/03 - REVISED PER AGENCY COMMENTS

TECHNOLOGY DRIVE / SIEDENTOP ROAD
CONSTRUCTION DETAILS

**STOCK & ASSOCIATES
CONSULTING ENGINEERS, INC.**

425 NORTH NEW BALLAS ROAD
SUITE 165
ST. LOUIS, MO. 63141
PH. (314) 432-8100
FAX (314) 432-8171
e-mail: general@stockassoc.com



DRAWN BY:	DATE:	CHECKED BY:	DATE:	JOB NUMBER:	SHEET:
B.O.S.	08/07/02	G.M.S.	08/07/02	200-2180.12	45 of 48