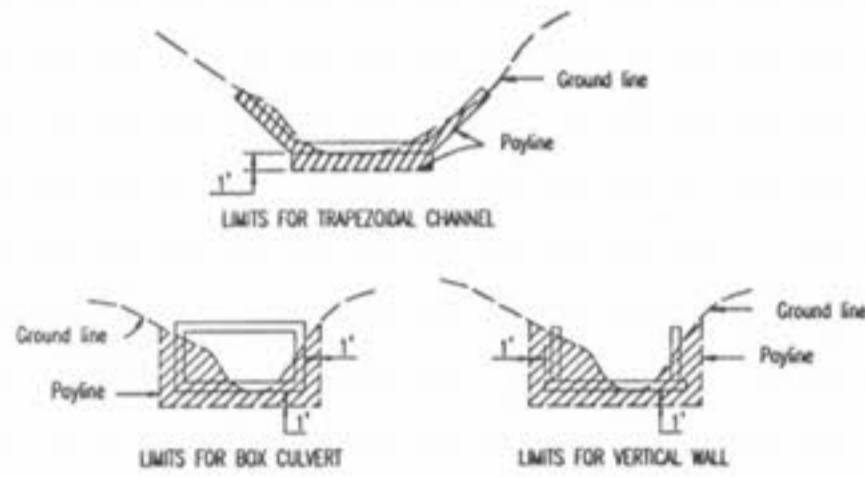
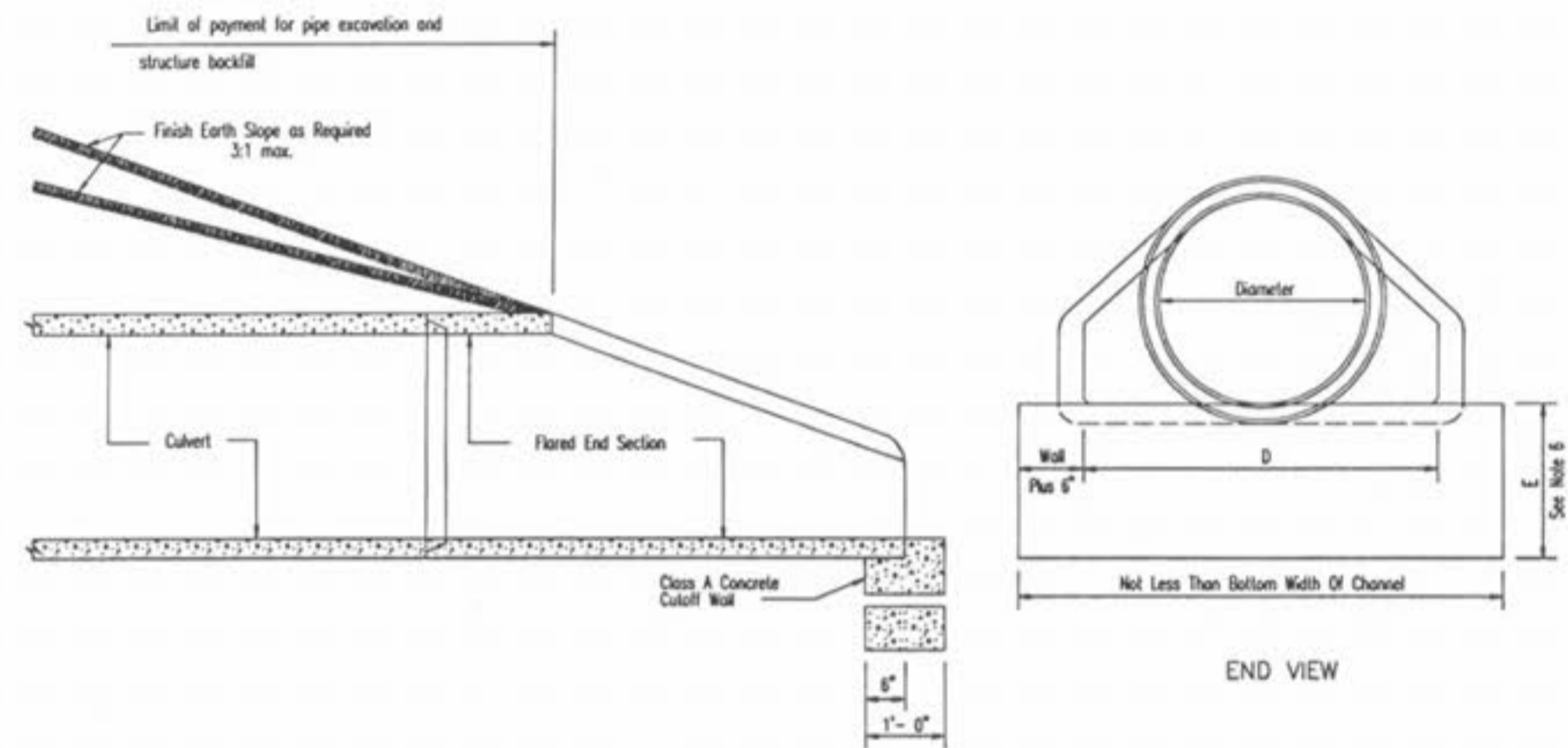


DIMENSIONS						
Dia.	Wall	A	B(min.)	C(min.)	D	E
12"	2"	4"	4'-0"	6'	2'-0"	
15"	2-1/4"	6"	5'-10"	6'	2'-6"	
18"	2-1/2"	8"	5'-10"	6'	3'-0"	
21"	2-3/4"	8"	5'-2"	6'	3'-6"	
24"	3"	9-1/2"	2'-6"	6'	4'-0"	
27"	3-1/4"	10-1/2"	2'-1"	6'	4'-6"	
30"	3-1/2"	1'-0"	1'-7"	6'	5'-0"	
36"	4"	1'-3"	2'-10"	8'	6'-0"	
42"	4-1/2"	1'-9"	2'-11"	8'	6'-6"	
48"	5"	2'-0"	2'-2"	8'	7'-0"	
54"	5-1/2"	2'-3"	2'-11"	8'	7'-6"	
60"	6"	2'-6"	3'-3"	8'	8'-0"	
66"	6-1/2"	2'-0"	1'-9"	8'	8'-6"	

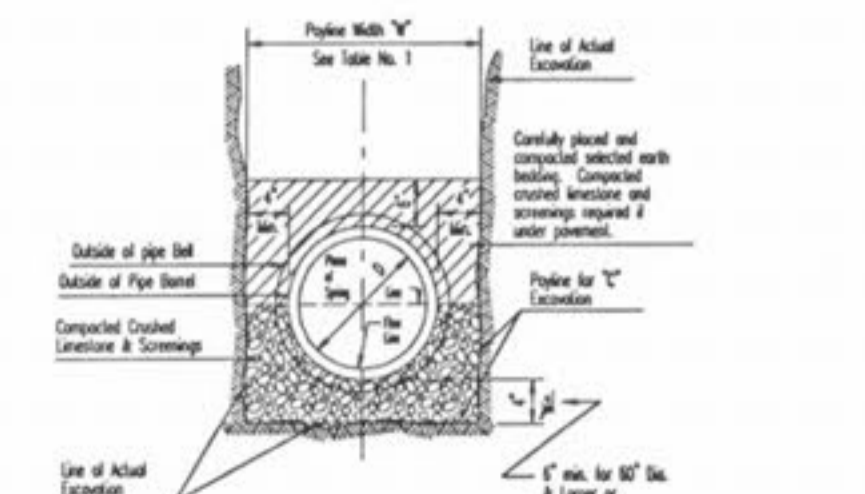
- GENERAL NOTES**
- Do not scale drawing. Follow dimensions.
 - Slight variations in both shape and dimensions from those shown may be accepted if approved by the Engineer.
 - Not more than three lift holes may be drilled or cast in the End Section for handling and laying.
 - Lift legs or bars will be permitted in precast Cutoff Walls.
 - Cutoff Wall may be cast-in-place or precast.
 - Cutoff Wall to be constructed a minimum of 2' at intake end and 3' at outlet end or to rock.
 - For construction details refer to the Sewer Construction Details for "Changep, Colors and Large Sewer Connections," Std. Dwg. C604.41.
 - The details shown are adopted from the Missouri Department of Transportation, Standard Drawings.

ROUNDING OFF DIAMETER IN FEET	BARREL SECTION REINFORCEMENT		FLARE SECTION REINFORCEMENT (ONE LAYER ONLY IN CIR. OF WALL)	
	CIRCULAR		ELLIPTICAL	
	INNER CASE SQ. IN./LIN. FT.	OUTER CASE SQ. IN./LIN. FT.	AREA OF WALL SQ. IN./LIN. FT.	REINFORCEMENT SQ. IN./LIN. FT.
12"	0.07	---	0.048	0.048
15"	0.07	---	0.054	0.054
18"	0.07	---	0.060	0.060
21"	0.07	---	0.066	0.066
24"	0.07	---	0.072	0.072
27"	0.13	---	0.11	0.078
30"	0.14	---	0.12	0.084
36"	0.12	0.09	0.13	0.096
42"	0.15	0.12	0.17	0.108
48"	0.18	0.14	0.20	0.120
54"	0.22	0.16	0.24	0.132
60"	0.25	0.19	0.28	0.144
66"	0.31	0.23	0.34	0.156



Note: Payline for any other type channel excavation shall be the exact shape of the sub grade.

PAYLINE LIMITS FOR EXCAVATION



PIPE BEDDING CLASS "C"
(MODIFIED FOR REINFORCED CONCRETE PIPES)

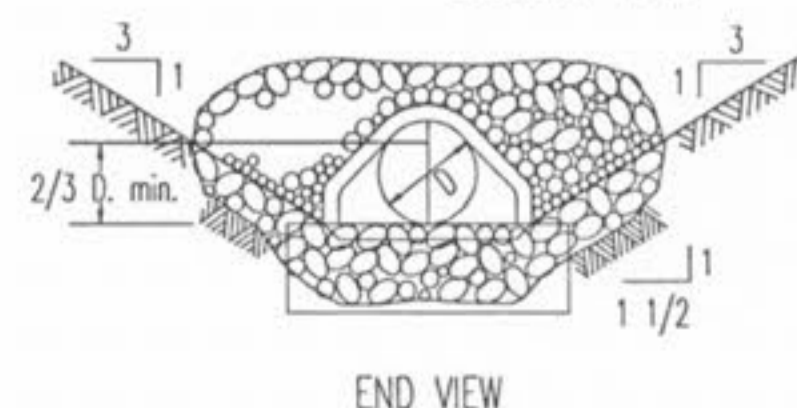
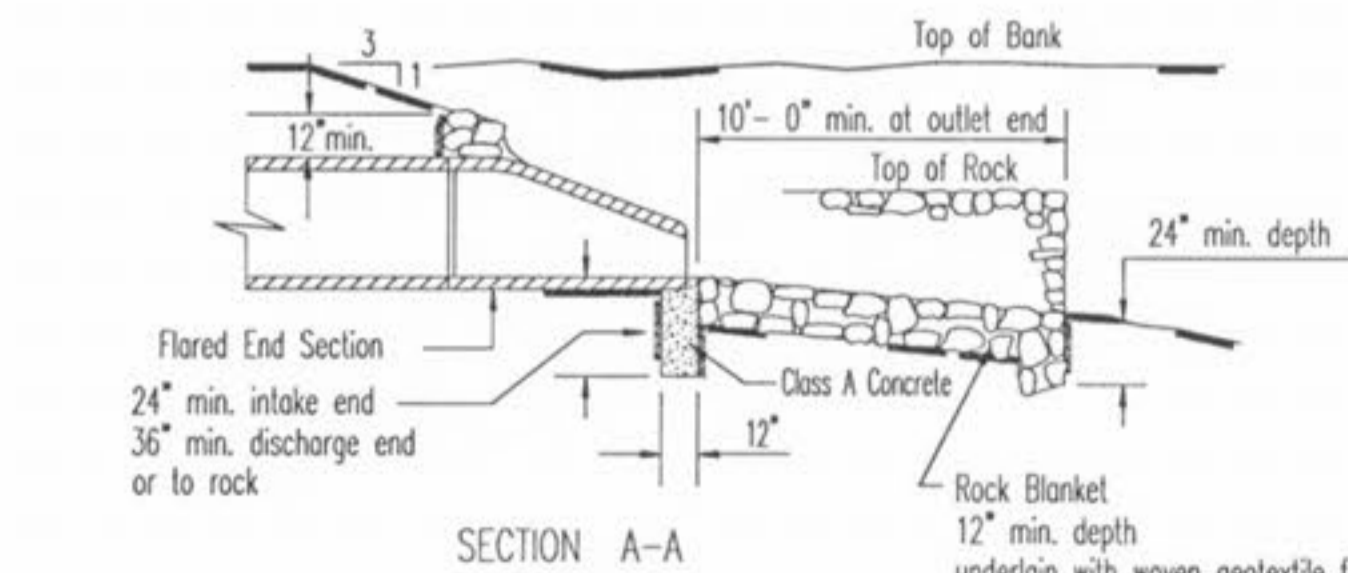
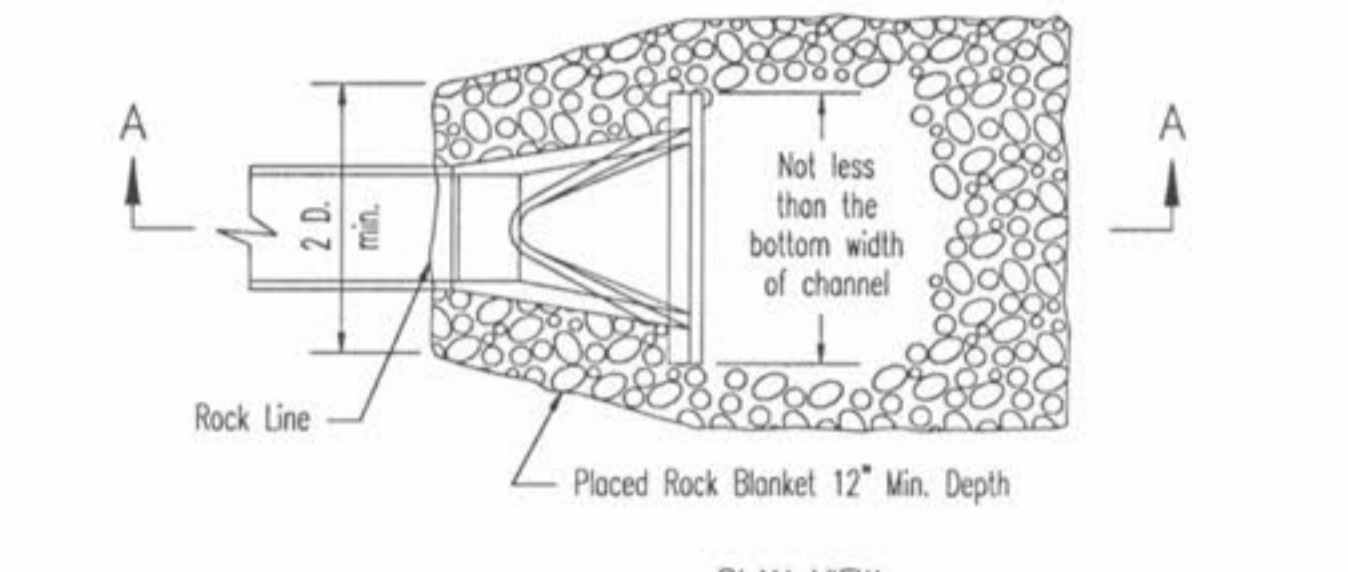
PIPE BEDDING DETAIL

TABLE NO. 1

INCH DIAMETER OF PIPE (INCH)	ROUND PIPE			HORIZONTAL ELLIPTICAL PIPE		
	MINIMUM WIDTH OF TRENCH (INCHES)	MINIMUM WIDTH OF PAYLINE (FEET)	MINIMUM WIDTH OF TRENCH (INCHES)	MINIMUM WIDTH OF PAYLINE (FEET)	MINIMUM WIDTH OF TRENCH (INCHES)	MINIMUM WIDTH OF PAYLINE (FEET)
4	30	2.50	3.25			
6	30	2.50	3.25			
8	30	2.50	3.25			
10	30	2.50	3.25			
12	36	3.00	3.75			
15	36	3.00	3.75			
18	36	3.00	3.75			
21	36	3.00	3.75			
24	42	3.50	4.25			
27	42	3.50	4.25			
30	48	4.00	4.75			
33	48	4.00	4.75			
36	54	4.50	5.25			
39	54	4.50	5.25			
42	60	5.00	5.75			
45	60	5.00	5.75			
48	66	5.50	6.25			
51	66	5.50	6.25			
54	72	6.00	6.75			
57	72	6.00	6.75			
60	78	6.50	7.25			
63	78	6.50	7.25			
66	84	7.00	7.75			
69	84	7.00	7.75			
72	90	7.50	8.25			
75	90	7.50	8.25			
78	96	8.00	8.75			
81	96	8.00	8.75			
84	102	8.50	9.25			
87	102	8.50	9.25			
90	108	9.00	9.75			
93	108	9.00	9.75			
96	114	9.50	10.25			
99	114	9.50	10.25			
102	120	10.00	10.75			
105	120	10.00	10.75			
108	126	10.50	11.25			
111	126	10.50	11.25			
114	132	11.00	11.75			
117	132	11.00	11.75			
120	138	11.50	12.25			
123	138	11.50	12.25			
126	144	12.00	12.75			
129	144	12.00	12.75			
132	150	12.50	13.25			
135	150	12.50	13.25			

TABLE OF MINIMUM WIDTHS OF TRENCH PAY-QUANTITIES OF CONCRETE

- GENERAL NOTES**
- Do not scale drawing. Follow dimensions.
 - The details shown are adopted from the "Revised Standard Construction Details for Sewers and Drainage Facilities" of the Metropolitan St. Louis District dated 2000.
 - Class A Concrete refers to the Metropolitan St. Louis Sewer District Specifications.
 - No direct payment will be made for the trench excavation, this quantity will be included in the unit price bid for pipe in place.



- NOTE:**
- To be used at intake and discharge end of pipe. Grade of Rock Blanket to be adjusted accordingly.
 - Woven Geotextile Fabric required under Rock Blanket.

03/11/03 - REVISED PER AGENCY COMMENTS

TECHNOLOGY DRIVE / SIEDENTOP ROAD
CONSTRUCTION DETAILS

STOCK & ASSOCIATES
CONSULTING ENGINEERS, INC.

425 NORTH NEW BALLAS ROAD
SUITE 165
ST. LOUIS, MO. 63141
PH. (314) 432-8100
FAX (314) 432-8171
e-mail: general@stockassoc.com

