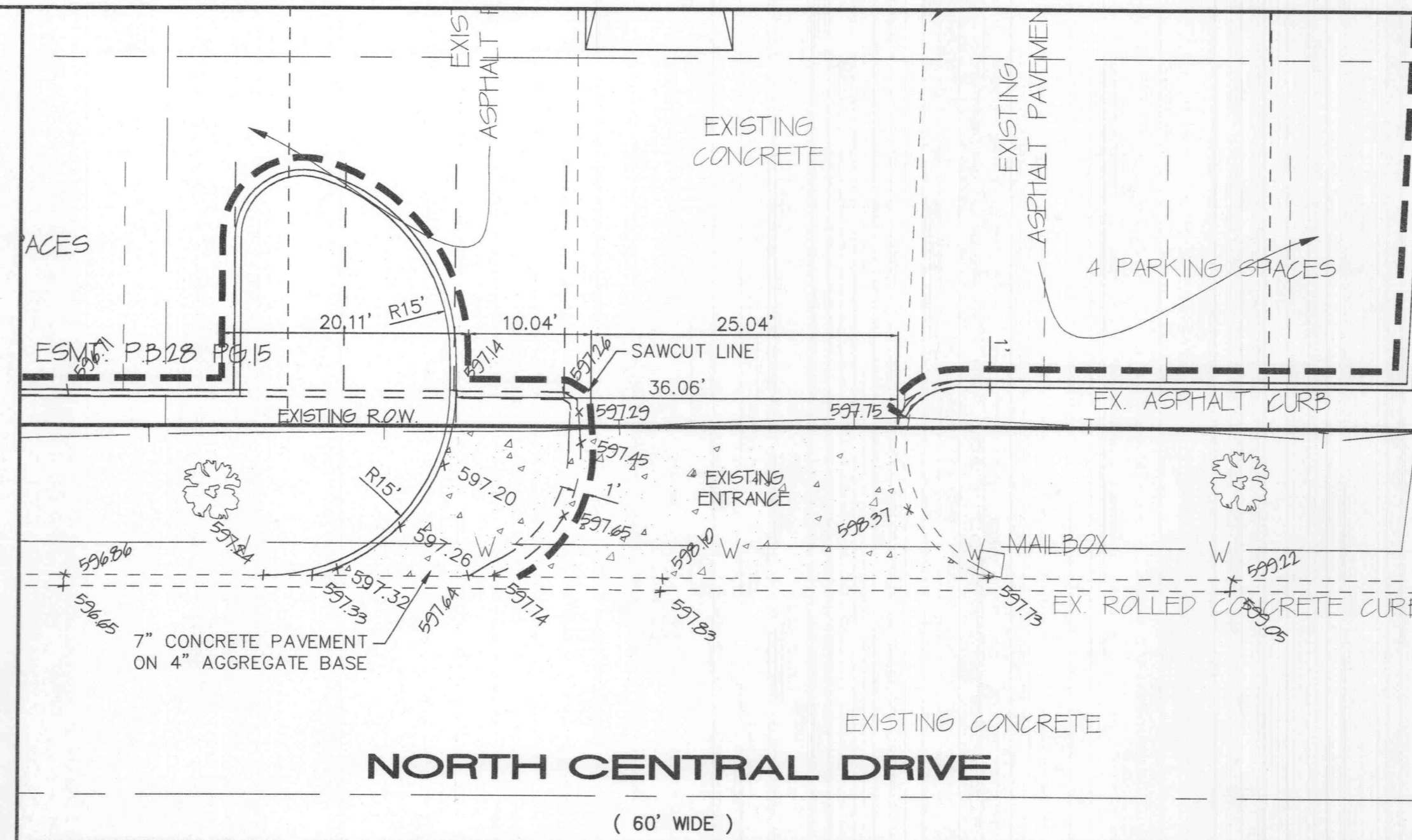


1. FILTER BARRIERS SHALL BE INSPECTED IMMEDIATELY AFTER EACH RAINFALL AND AT LEAST DAILY DURING PROLONGED RAINFALL. ANY REQUIRED REPAIRS SHALL BE MADE IMMEDIATELY.
2. SHOULD THE FABRIC DECOMPOSE OR BECOME INEFFECTIVE PRIOR TO THE END OF THE EXPECTED USABLE LIFE AND THE BARRIER STILL BE NECESSARY, THE FABRIC SHALL BE REPLACED PROMPTLY.
3. SEDIMENT DEPOSITS SHOULD BE REMOVED AFTER EACH STORM EVENT. THEY MUST BE REMOVED WHEN DEPOSITS REACH APPROXIMATELY HALF THE HEIGHT OF THE BARRIER.
4. ANY SEDIMENT DEPOSITS REMAINING IN PLACE AFTER THE SILT FENCE OR FILTER BARRIER IS NO LONGER REQUIRED SHALL BE DRESSED TO CONFORM WITH THE EXISTING GRADE, PREPARED AND SEED.



**SILTATION FENCE DETAIL**

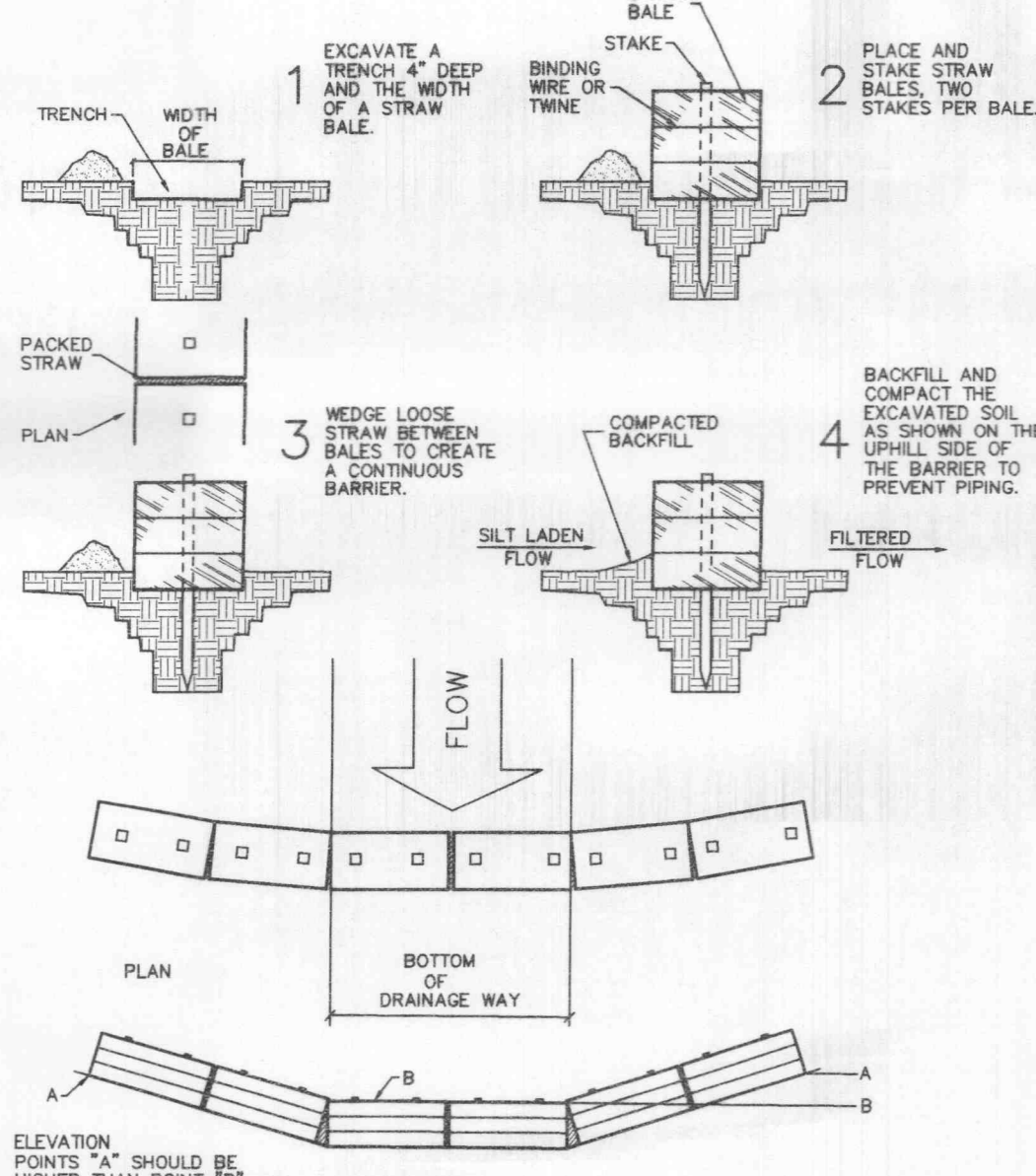


**NORTH CENTRAL DRIVE**  
(60' WIDE)

**ENTRANCE DETAIL**

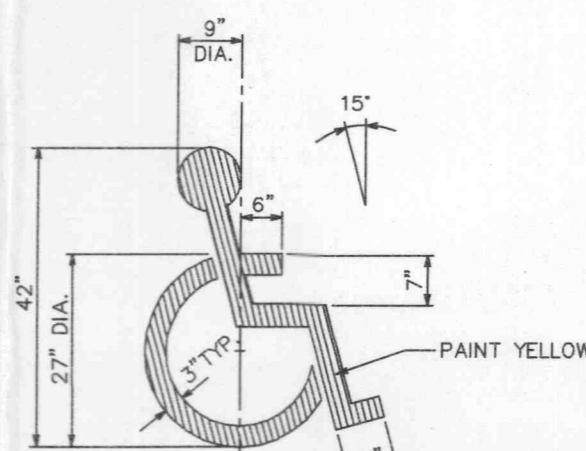
NOTE: ALL SPOTS TO TOP OF PAVEMENT.  
SCALE: 1" = 10'

**STRAW BALES BARRIERS FOR URBAN DEVELOPMENT SITES**  
APPENDIX C



**PLACEMENT AND CONSTRUCTION OF STRAW BALE BARRIER**

**PAINTED HANDICAPPED PARKING SYMBOL**  
NOT TO SCALE

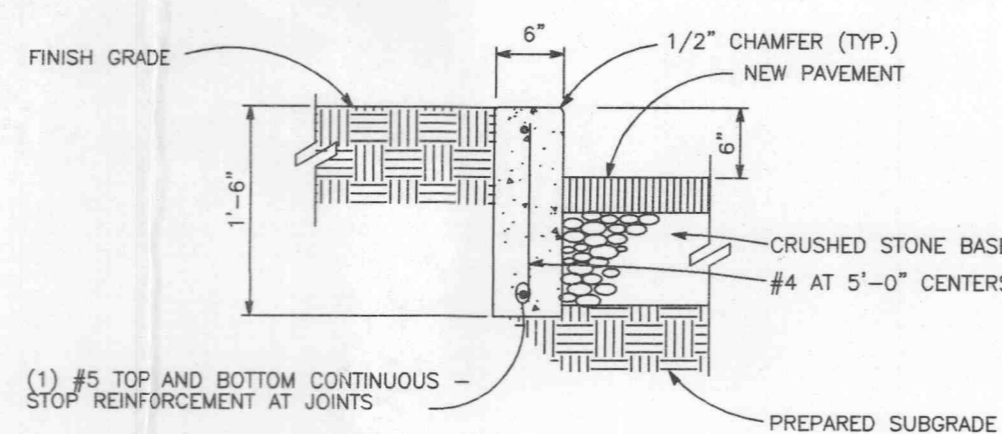


BAX PROJECT NAME : TELGAAS  
BAX PROJECT NO. : 04-13035  
DESIGN DATE : 11-4-04  
DESIGNED BY : ALJ  
15 YEAR DESIGN STORM

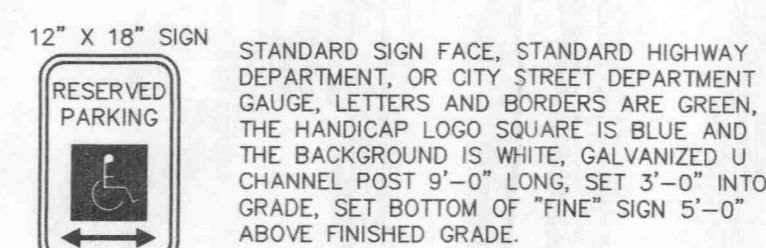
FILENAME: 13035

UPP STR	LOW STR	L	DIA	UPPER FL LN	LOWER FL LN	PS	UPPER ST EL	DEPTH HY GR	UPPER HY EL	LOWER HY EL	HYDR GRADE	FR HEAD	VEL	VEL HEAD	JUNC LOSS	TURN LOSS	CURVE LOSS	STR GRADE	INL CAP	DR AREA	PI	Q	TQ	PIPE CAP	REMARKS	
EX AI	EX AI	92	15	586.04	585.45	0.64	522.59	4.20	588.39	586.70	.01260	1.15	5.90	0.54	0.54	0.00	0.00	0.00	0.00	0.00	0.00	0.00	7.24	5.18	1	
EX AI	EX AI	133	15	585.45	583.41	1.54	591.80	5.35	586.45	584.66	.01260	1.67	5.90	0.54	0.06	0.06	0.00	0.00	0.00	0.00	0.00	0.00	7.24	8.01	2	
EX AI	EX FE	100	18	575.31	564.52	10.81	589.73	13.86	575.85*	566.02	.00840	0.84	5.44	0.46	0.00	0.41	0.00	0.00	0.00	0.00	0.00	0.00	9.61	34.53	3	HW=566.02

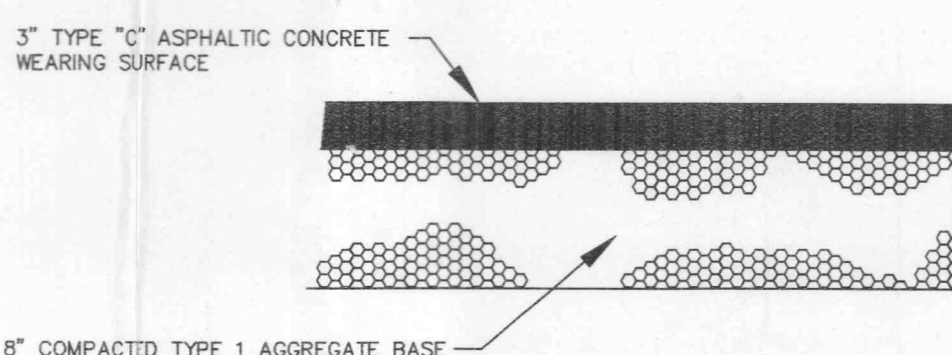
\* INDICATES CRITICAL DEPTH



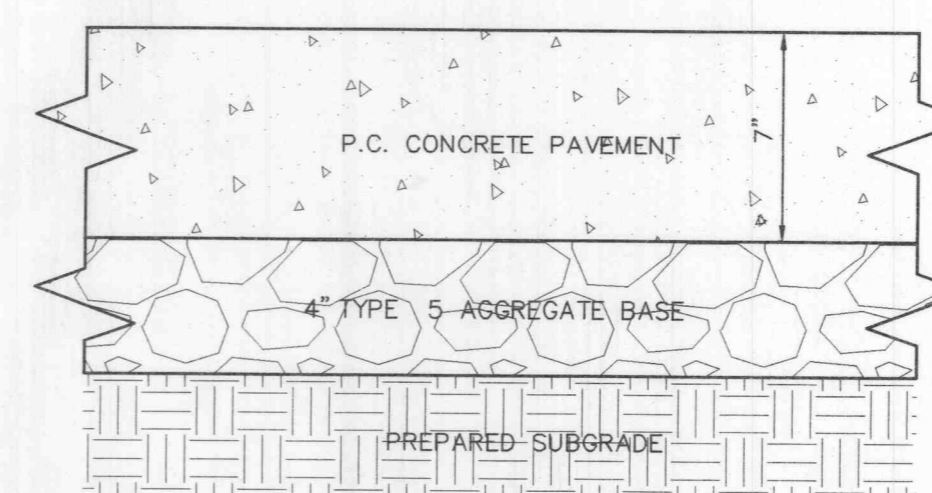
**CONCRETE CURB DETAIL**  
NOT TO SCALE



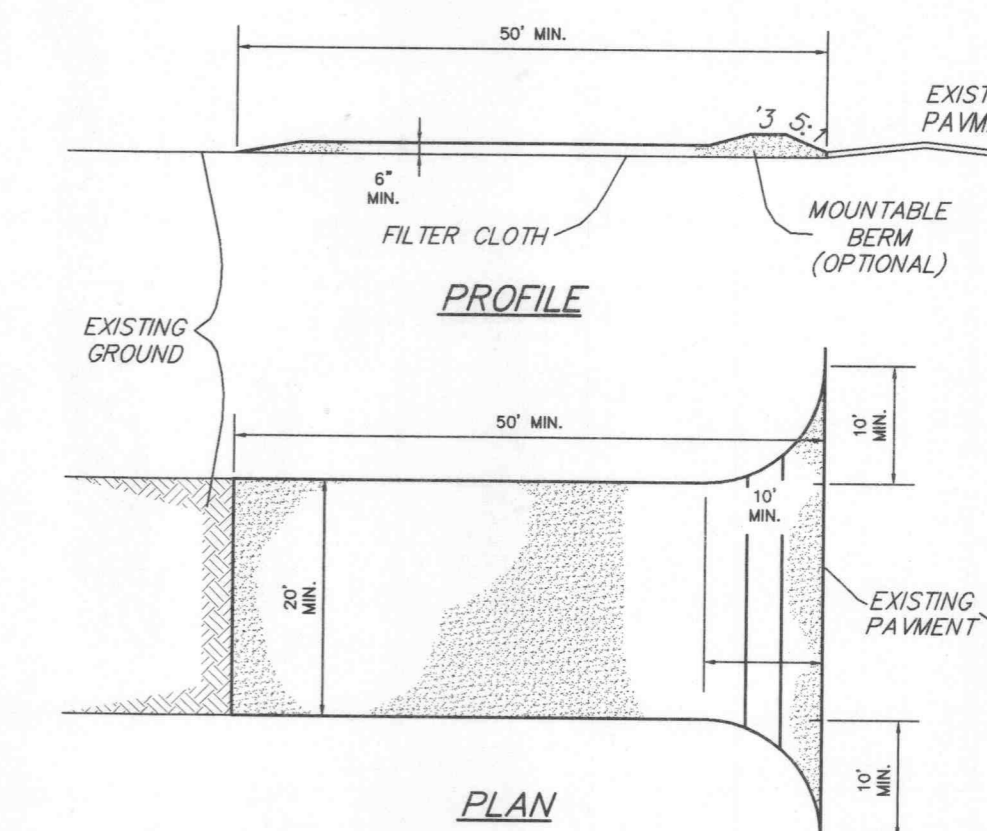
**HANDICAP PARKING SIGN**  
NOT TO SCALE



**ASPHALT PAVEMENT DETAIL**  
NOT TO SCALE



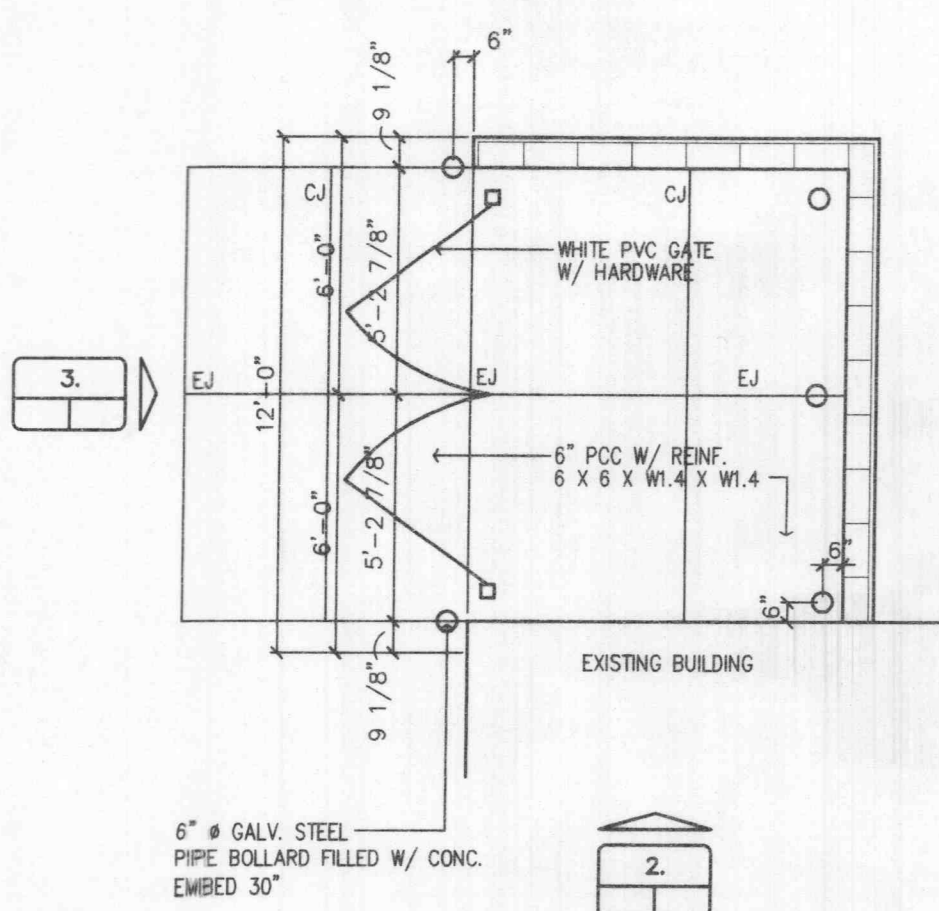
**ENTRANCE PAVEMENT DETAIL**  
NOT TO SCALE



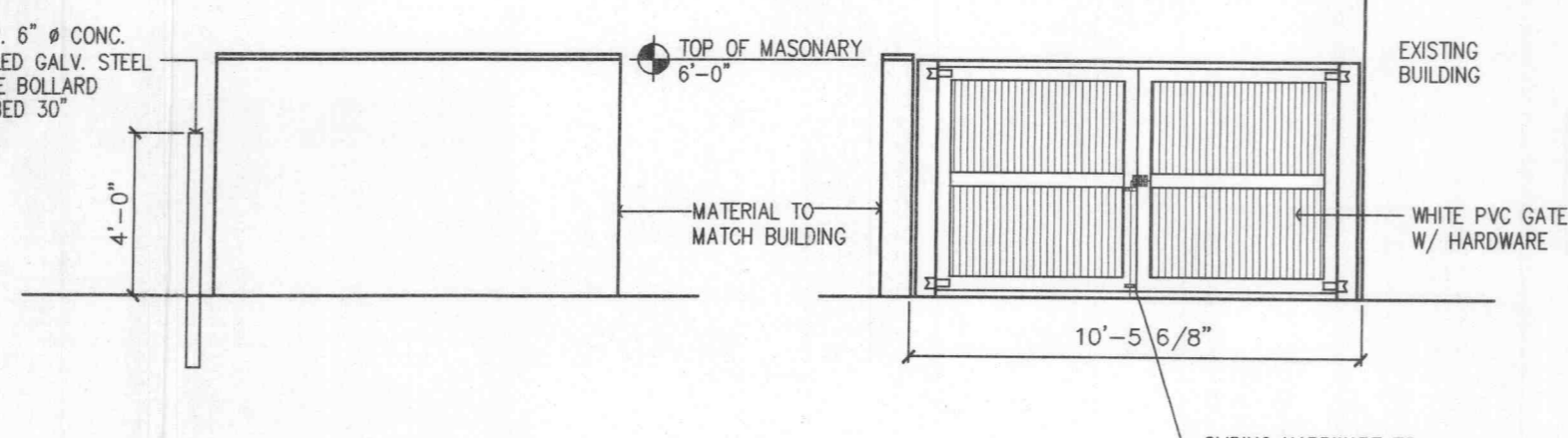
**CONSTRUCTION SPECIFICATIONS**

1. Stone Size - Use 2" stone, or reclaimed or recycled concrete equivalent.
2. Length - As required, but not less than 50 feet (except on a single residence lot where a 30 foot minimum length would apply).
3. Thickness - Not less than six (6) inches.
4. Width - Twenty (20) foot minimum, but not less than the full width at points where ingress or egress occurs.
5. Filter Cloth - Will be placed over the entire area prior to placing of stone. Filter will not be required on a single family residence lot.
6. Surface Water - All surface water flowing or diverted toward construction entrances shall be piped across the entrance. If piping is impractical, a mountable berm with 5:1 slopes will be permitted.
7. Maintenance - The entrance shall be maintained in a condition which will prevent tracking or flowing of sediment onto public rights-of-way. This may require periodic top dressing with additional stone as conditions demand and repair and/or cleanup of any measures used to trap sediment. All sediment spilled, dropped, washed or tracked onto public rights-of-way must be removed immediately.
8. Washing - Wheels shall be cleaned to remove sediment prior to entrance onto public rights-of-way. When washing is required, it shall be done on an area stabilized with stone and which drains into an approved sediment trapping device.
9. Periodic inspection and needed maintenance shall be provided after each rain.

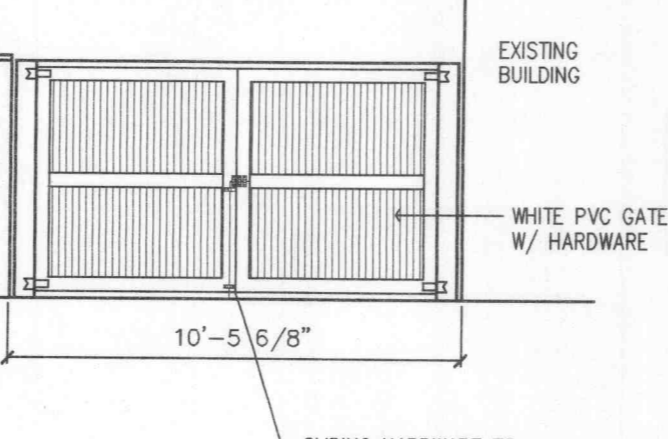
**STABILIZED CONSTRUCTION ENTRANCE/WASHDOWN AREA**  
NOT TO SCALE



**TRASH ENCLOSURE PLAN**  
NOT TO SCALE



**ELEVATION**  
NOT TO SCALE



**ELEVATION**  
NOT TO SCALE



STANDARD SIGN FACE, STANDARD HIGHWAY DEPARTMENT, OR CITY STREET DEPARTMENT GAUGE, LETTERS AND BORDERS ARE GREEN, THE HANDICAP LOGO SQUARE IS BLUE AND THE BACKGROUND IS WHITE, GALVANIZED U CHANNEL POST 8'-0" LONG, SET 3'-0" INTO GRADE, SET BOTTOM OF SIGN 5'-0" ABOVE FINISHED GRADE.

**VAN ACCESSIBLE HANDICAP PARKING SIGN**