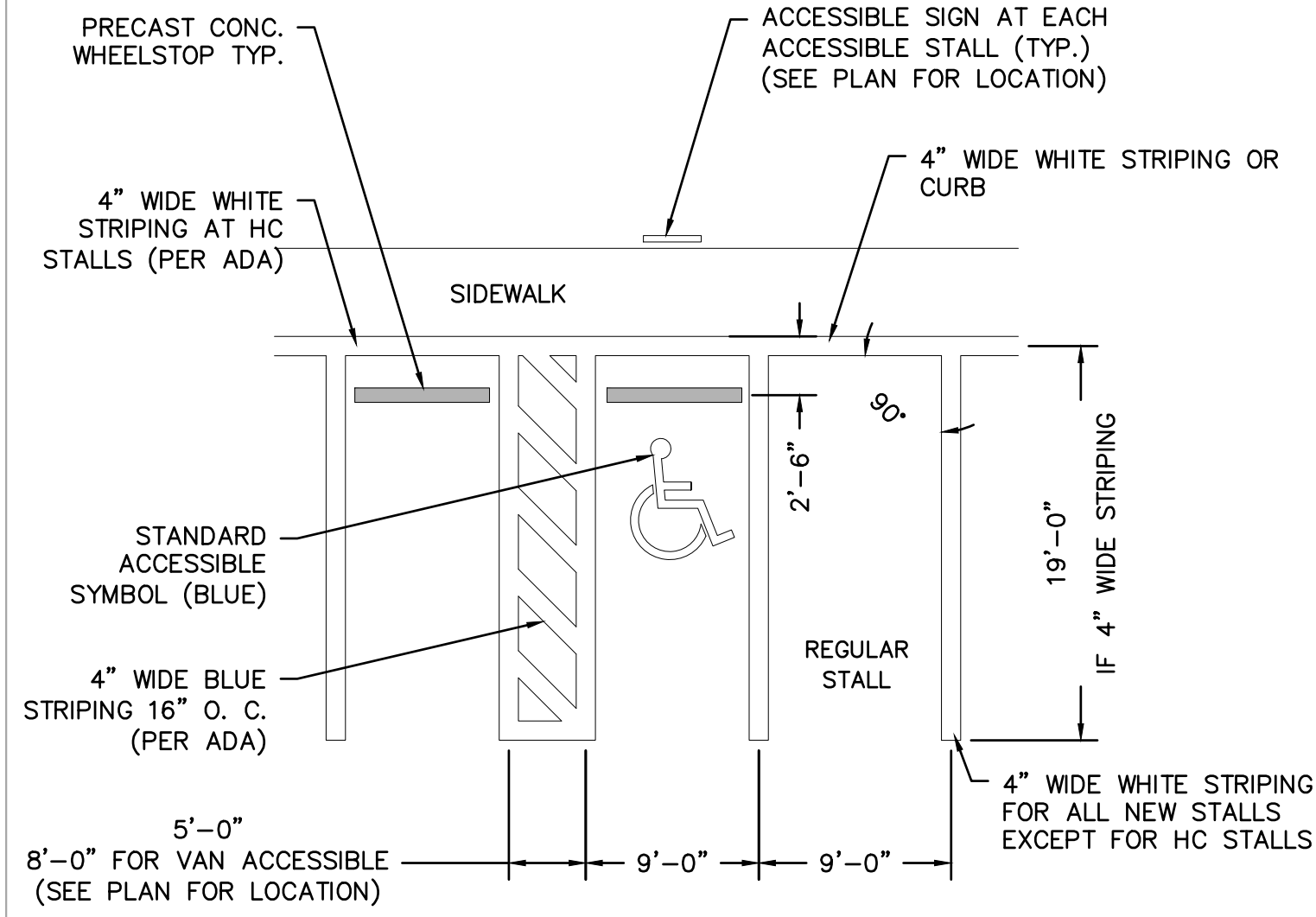
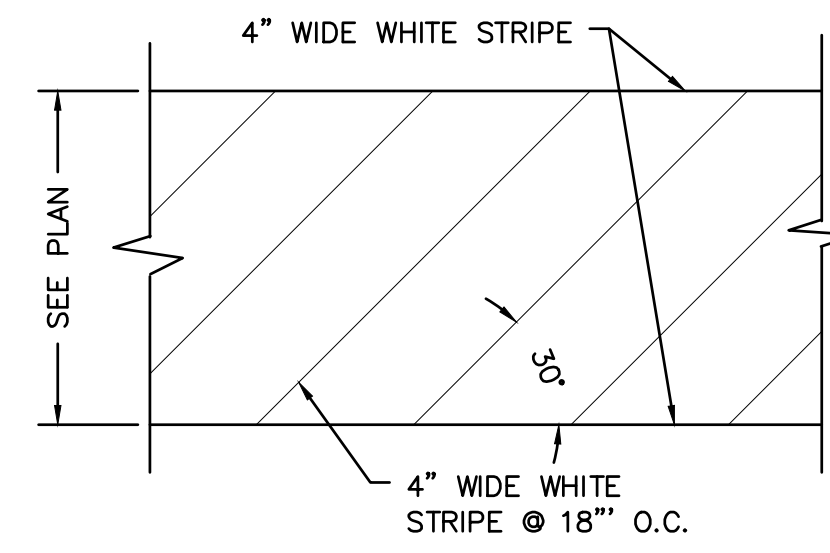


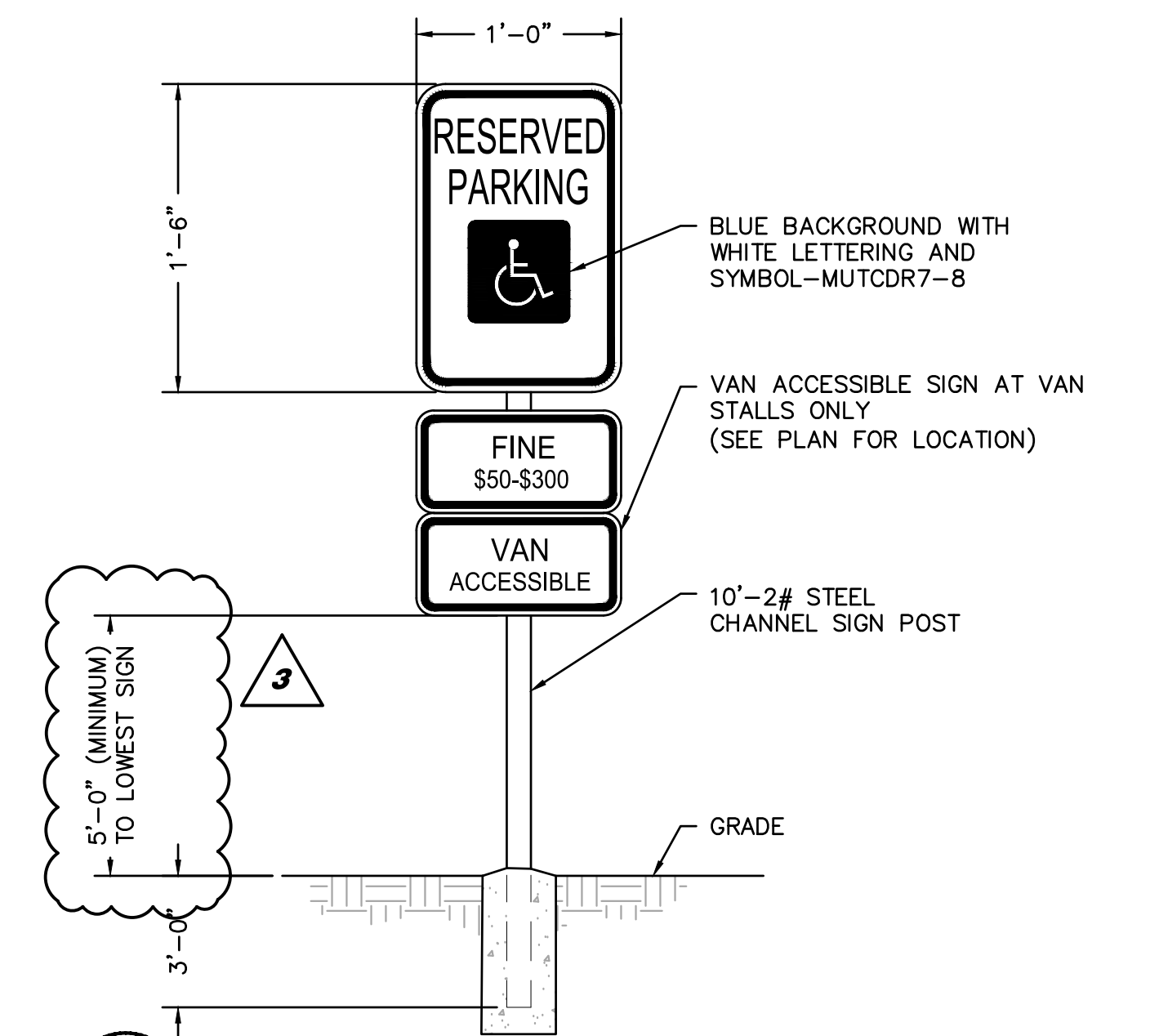
1 HANDICAP SYMBOL DETAIL
SCALE: N.T.S. REF. DWG. C4.1



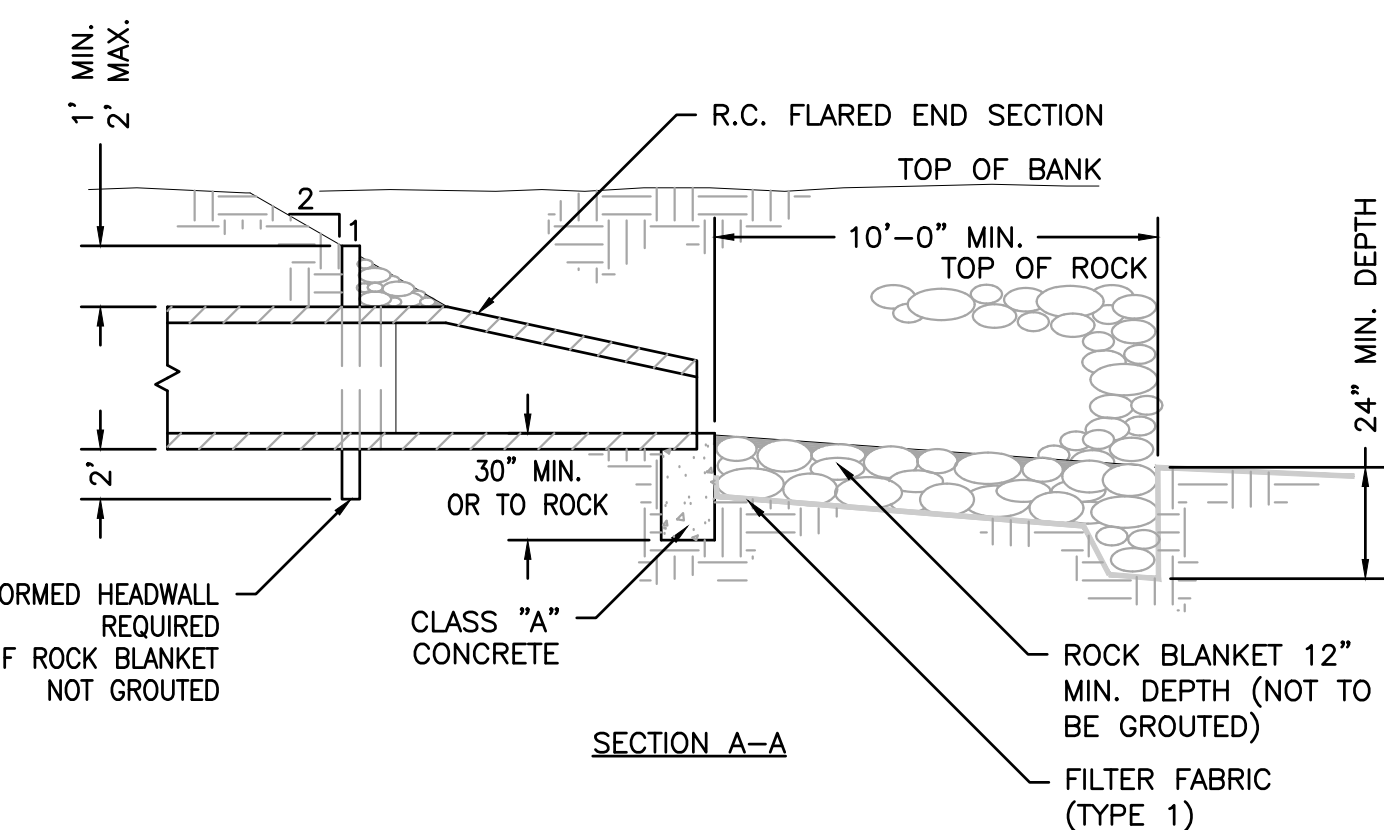
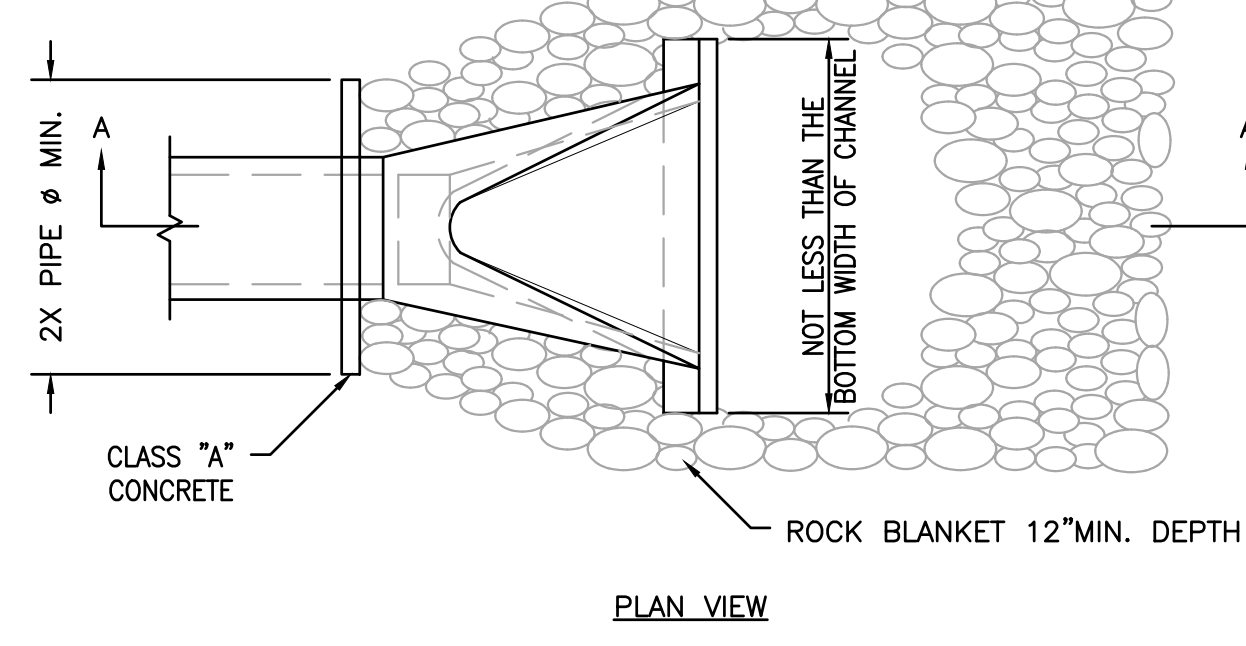
2 90 DEGREE ACCESSIBLE PARKING DETAIL
SCALE: N.T.S. REF. DWG. C4.1



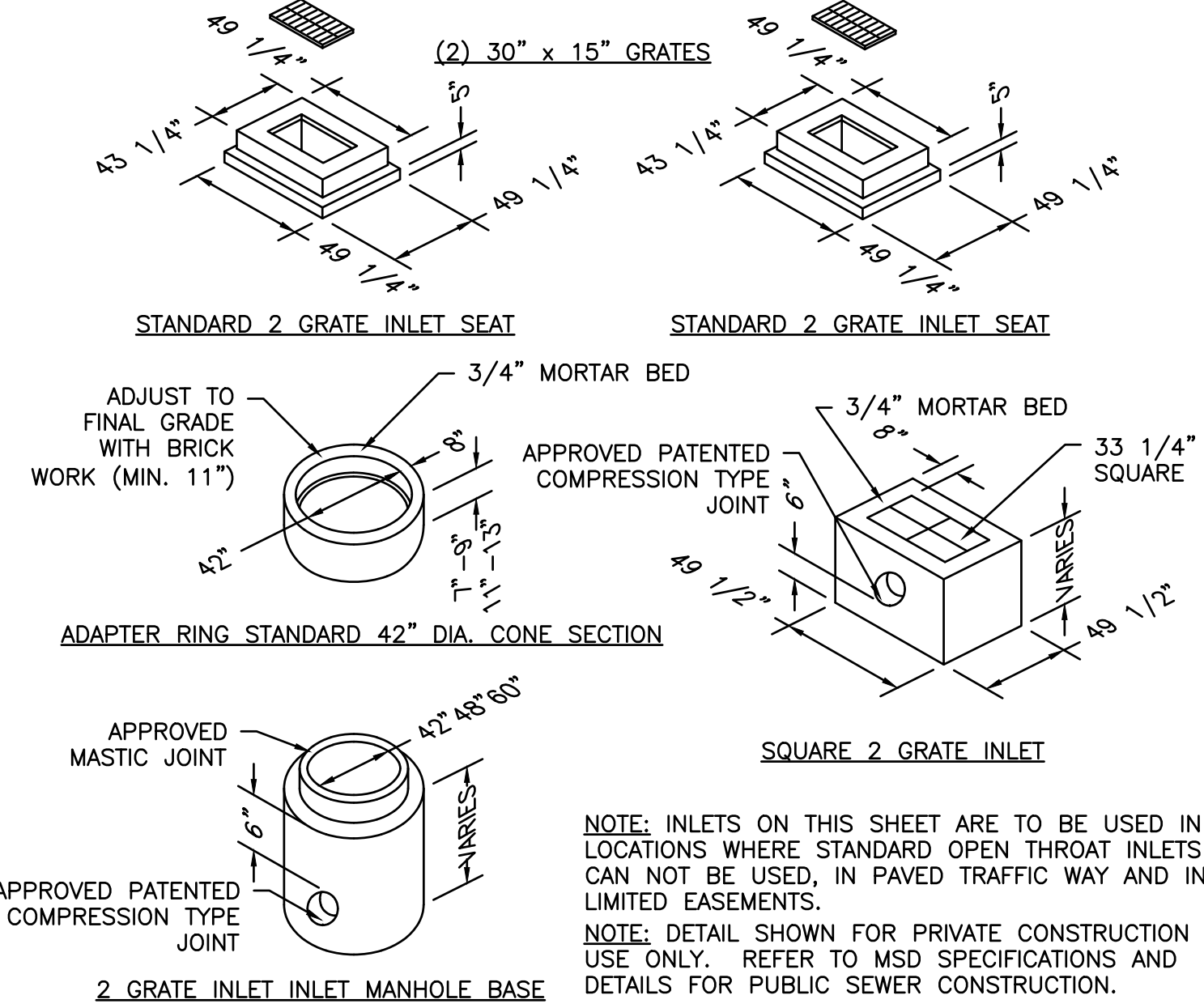
3 CROSS WALK DETAIL
SCALE: N.T.S. REF. DWG. C4.1



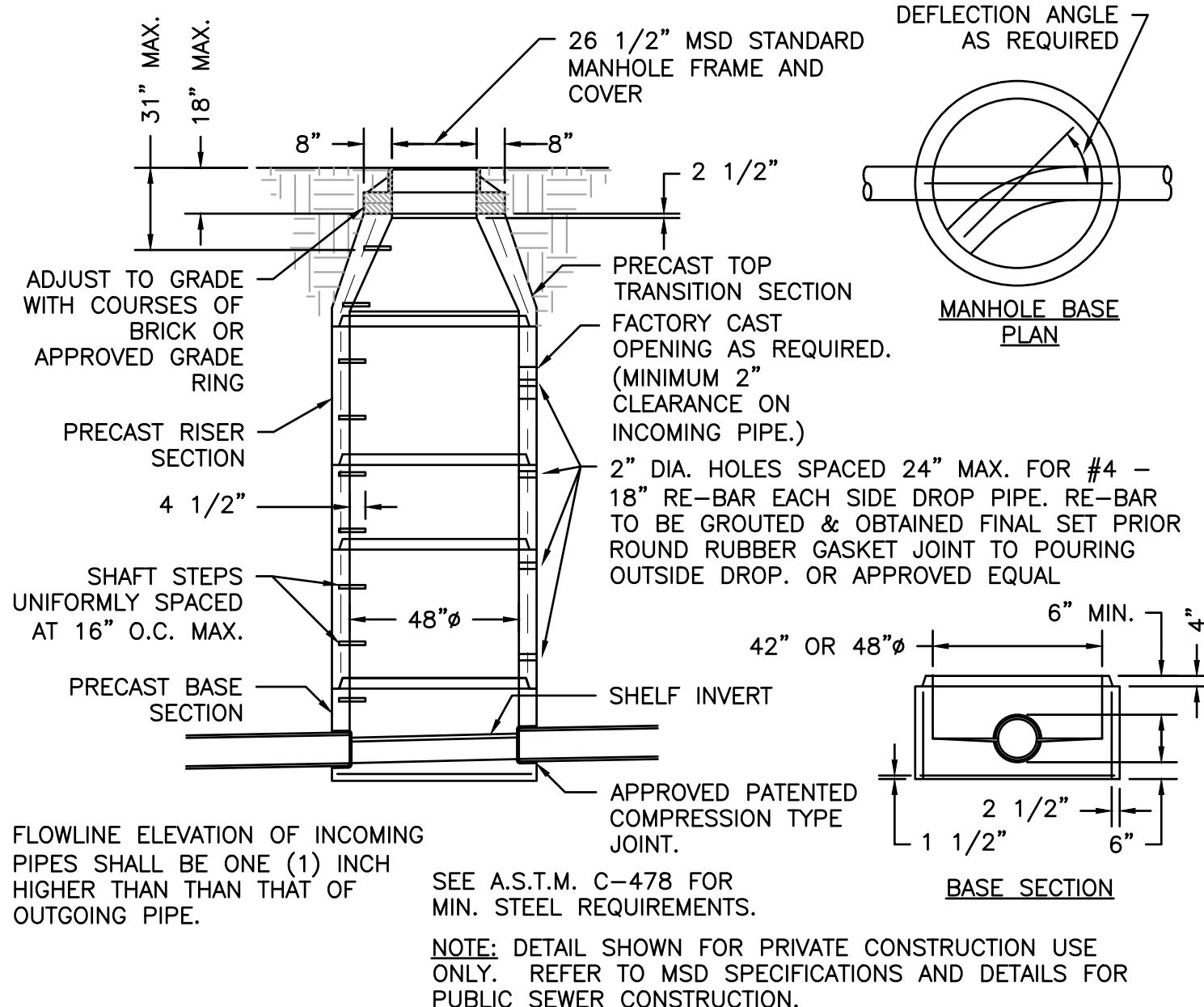
4 ACCESSIBLE SIGN DETAIL
SCALE: N.T.S. REF. DWG. C4.1



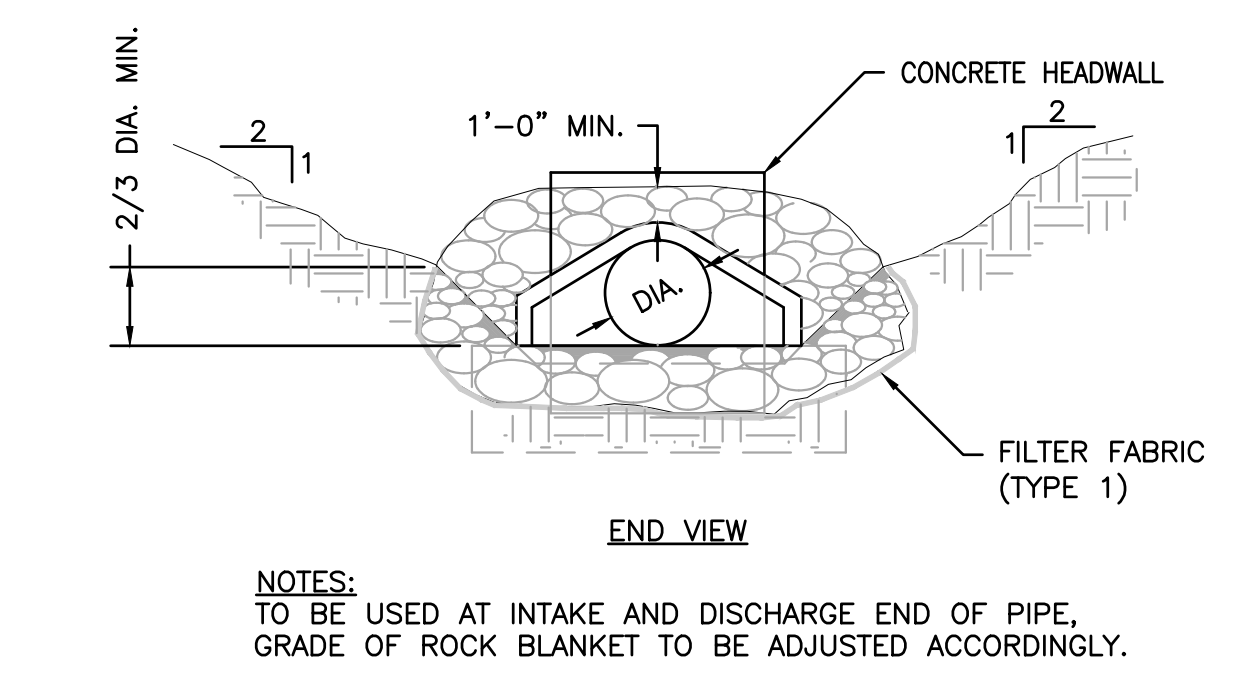
6 HDPE PIPE BEDDING DETAIL
SCALE: N.T.S. REF. DWG. C6.0



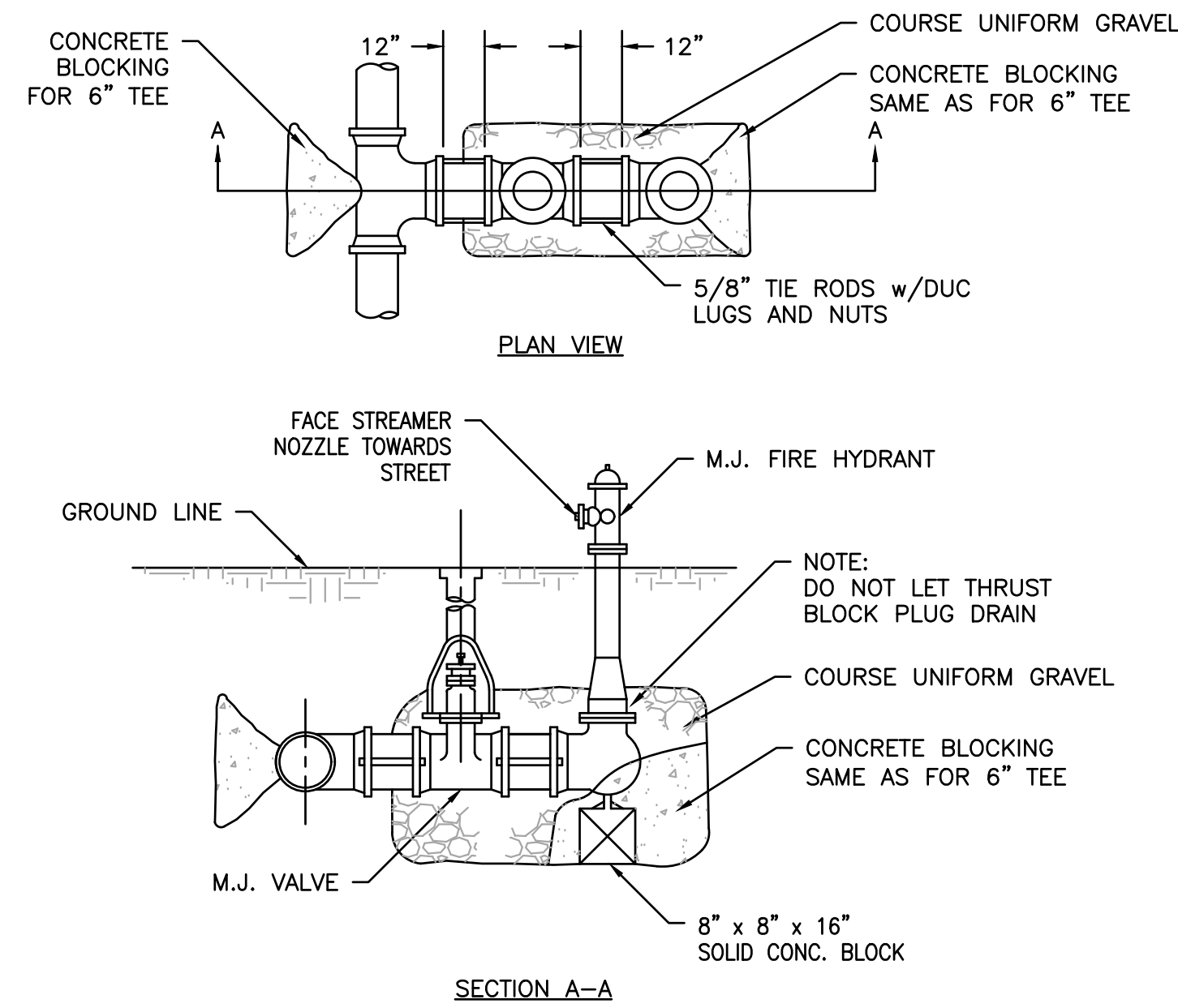
7 TWO GRATE INLET DETAIL
SCALE: N.T.S. REF. DWG. C6.0



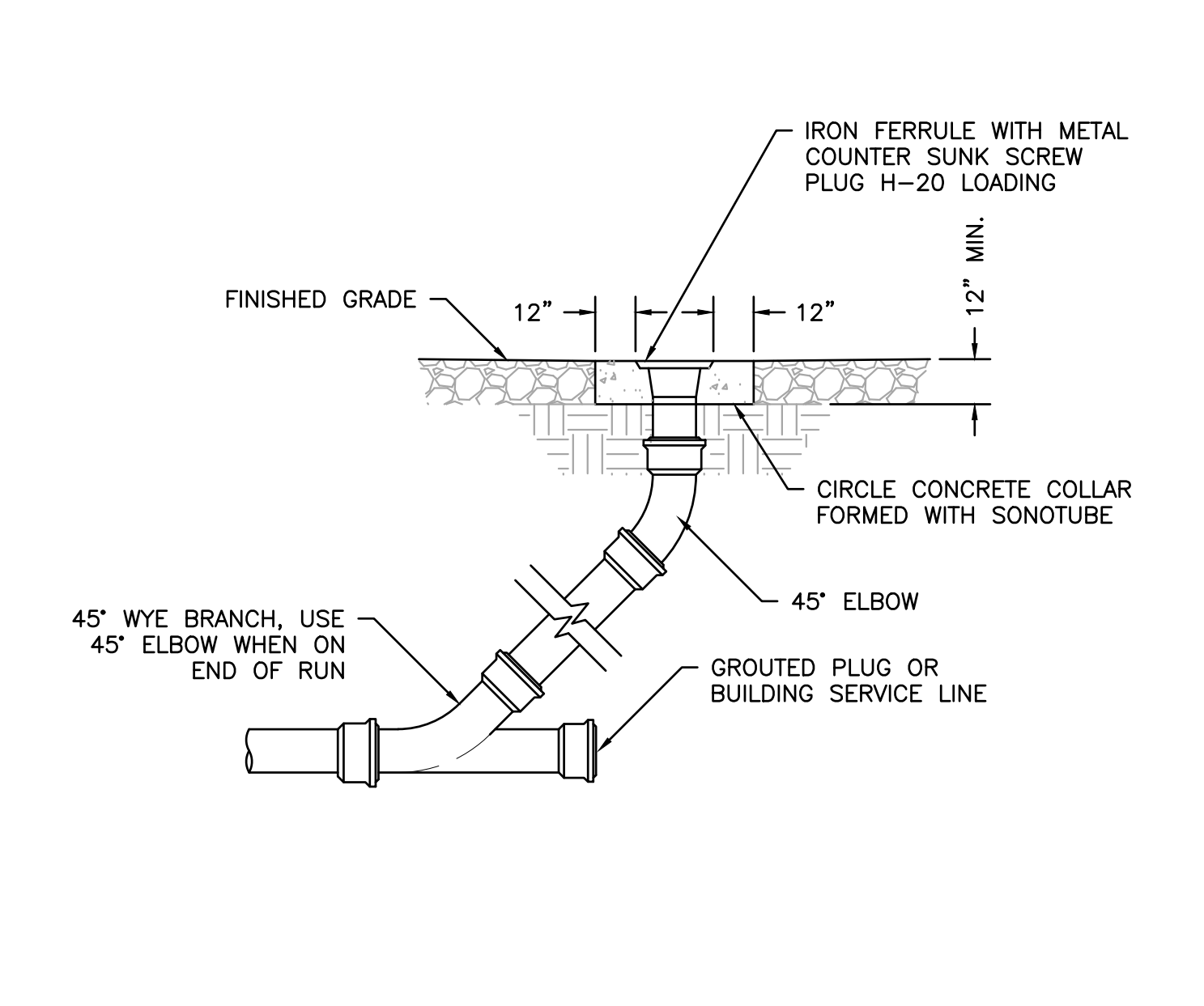
8 48" MANHOLE DETAIL
SCALE: N.T.S. REF. DWG. C6.0



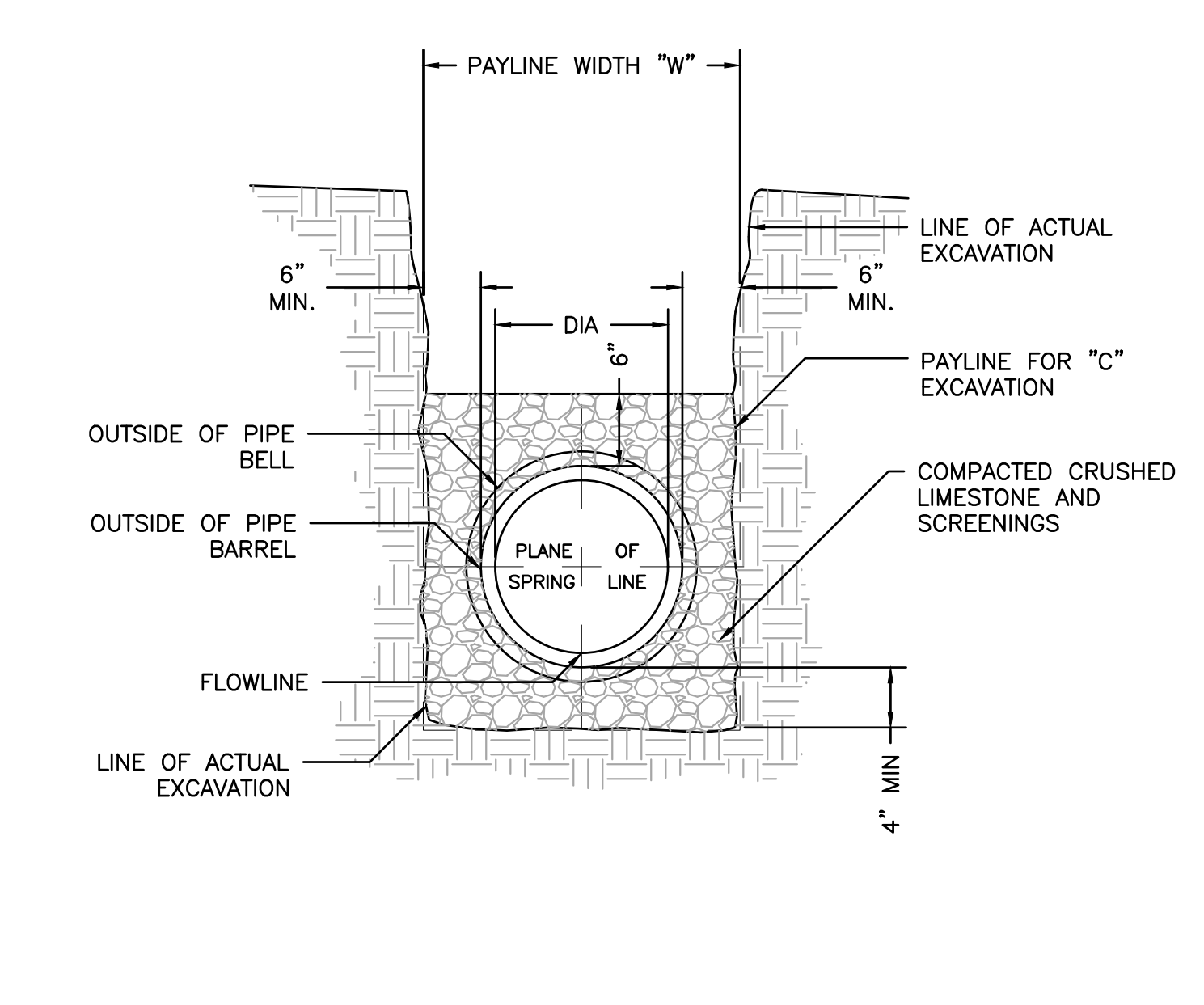
5 FLARED END SECTION DETAIL
SCALE: N.T.S. REF. DWG. C6.0



9 FIRE HYDRANT DETAIL
SCALE: N.T.S. REF. DWG. C6.0



10 TRAFFIC RATED CLEANOUT DETAIL
SCALE: N.T.S. REF. DWG. C6.0



11 PVC PIPE BEDDING DETAIL
SCALE: N.T.S. REF. DWG. C6.0

USER: Matt Stueber TAB: C9.1 DETAILS
 DATE: June 17, 2022 - 7:30:15 AM
 DRAWING: S:\085\0852021\21-0154\CADD\C-Plan\PoolSheet\0 - PLAN DETAIL 21-0154.dwg

DEVELOPER/OWNER:	MOHR CAPITAL LLC 14643 DALLAS PARKWAY SUITE 1000 DALLAS, TX 75254 (214) 801-9860
DATE	06/17/2022
NO	3
CITY REVIEW COMMENTS #2	
REVISION DESCRIPTION	



TEXAS ROADHOUSE IMPROVEMENT PLANS
 MEXICO ROAD
 O'FALLON, MO 63368
DETAILS

+ ST. CHARLES
 3300 57th Street
 St. Charles, MO 63303
 636.978.7508 tel
 www.colle.com
COLE
 CIVIL ENGINEERING / SURVEYING / PLANNING / LANDSCAPE ARCHITECTURE
COLE & ASSOCIATES, INC. is a Missouri Government Sub. Does Not Engage in Public Works or Public Utilities.

DESIGN/CALC BY:	MGS
DRAWN BY:	MGS
CHECKED BY:	MGS
DRAWING SCALE:	AS SHOWN
DATE:	06/17/2022
Job Number	21-0154
Sheet Number	C9.1