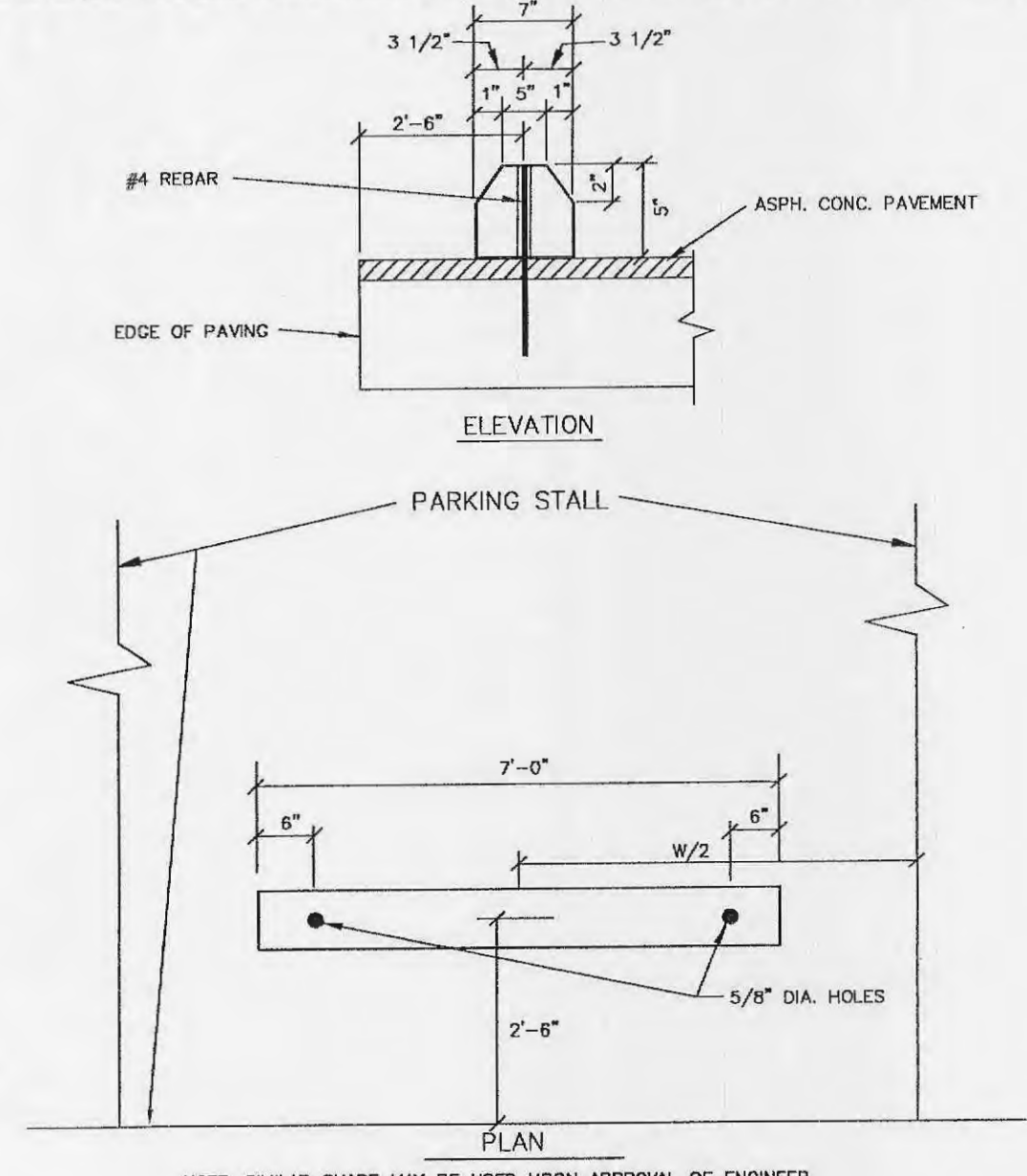
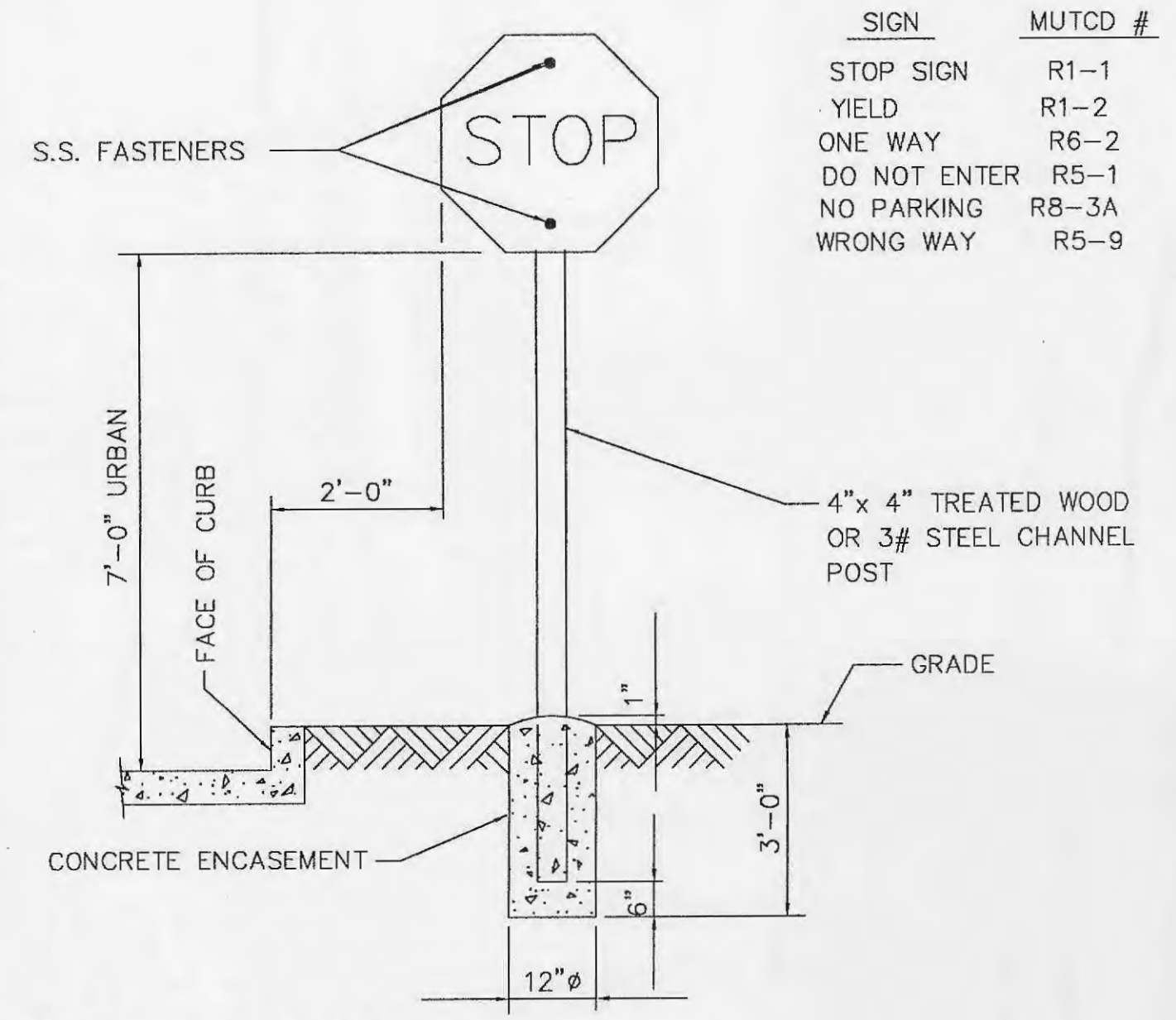


DATE: Apr. 20, 2008 - 2:50pm  
 DRAWING: S:\JOBS\0502005\05-017\LD5-05-017.dwg (c:\pions-cf-site\details.dwg)

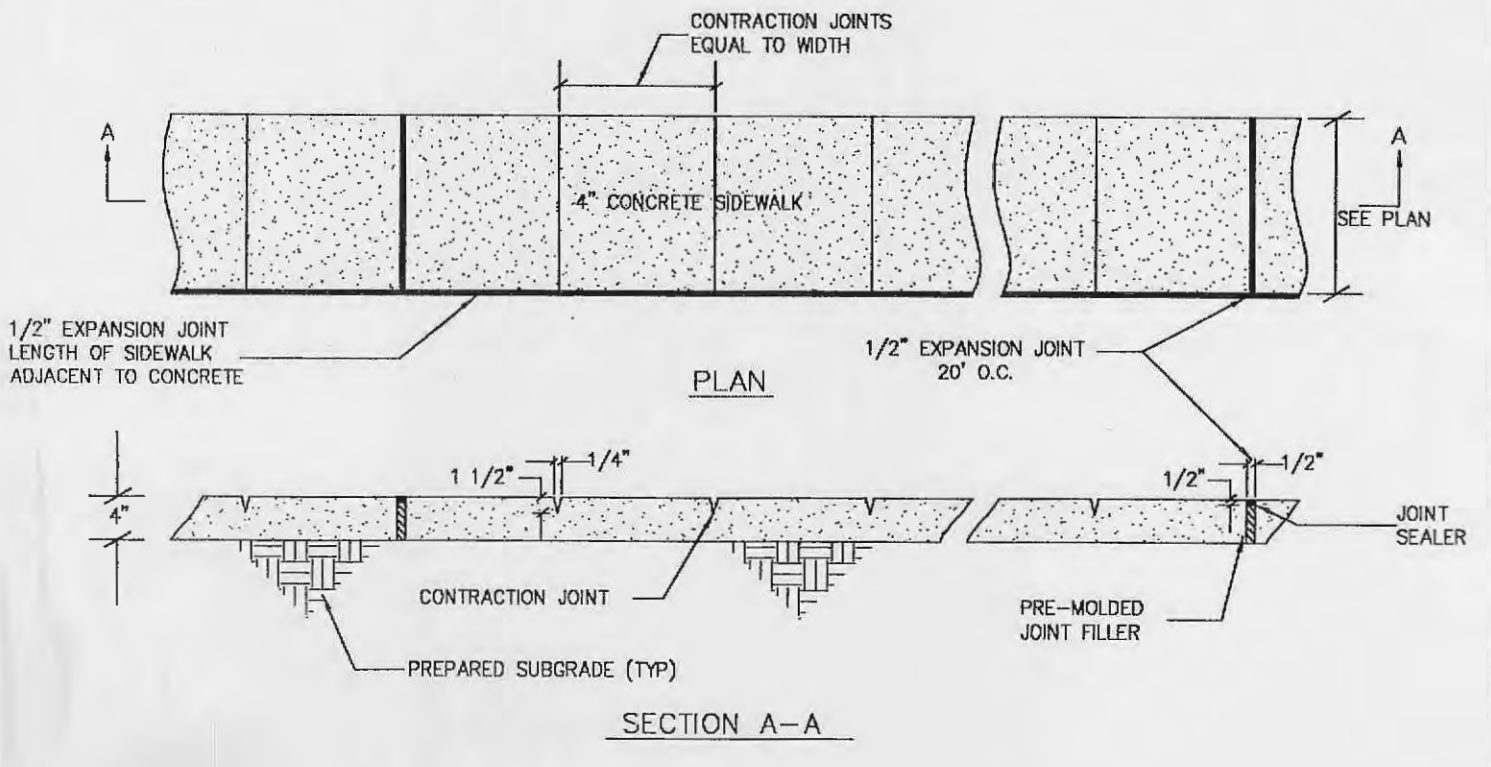


**12 PRECAST CONC. WHEELSTOP DETAIL**  
 SCALE: N.T.S. REF. DWG. C3.0

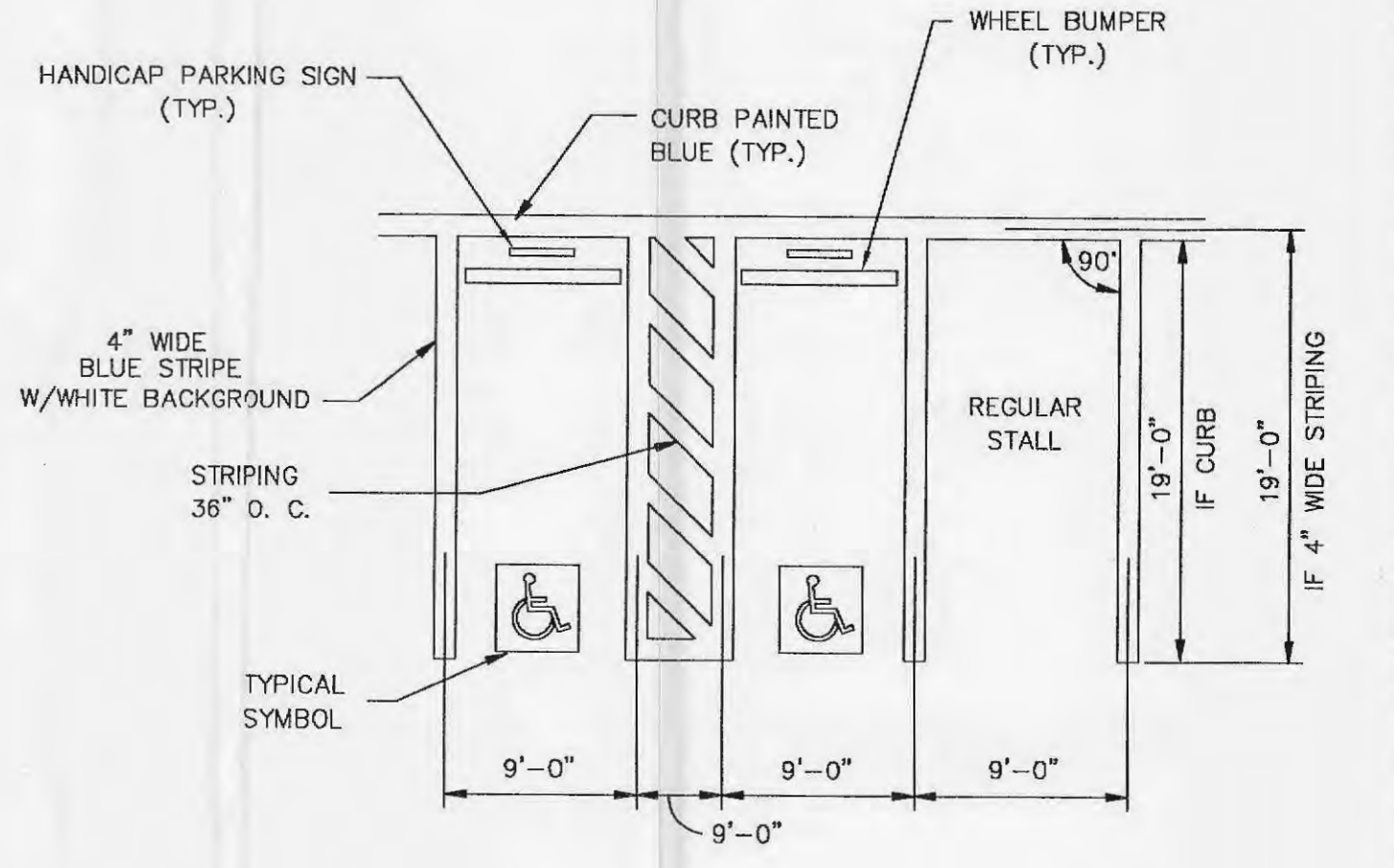


**9 STOP SIGN DETAIL**  
 SCALE: N.T.S. REF. DWG. C3.0

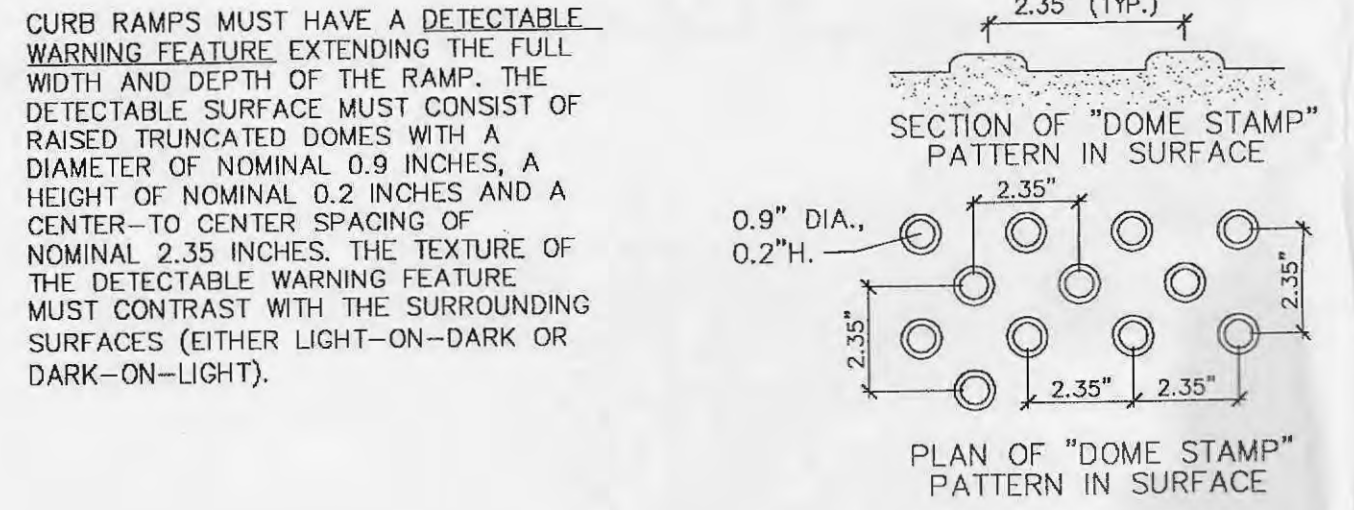
SIGN	MUTCD #
STOP SIGN	R1-1
YIELD	R1-2
ONE WAY	R6-2
DO NOT ENTER	R5-1
NO PARKING	R8-3A
WRONG WAY	R5-9



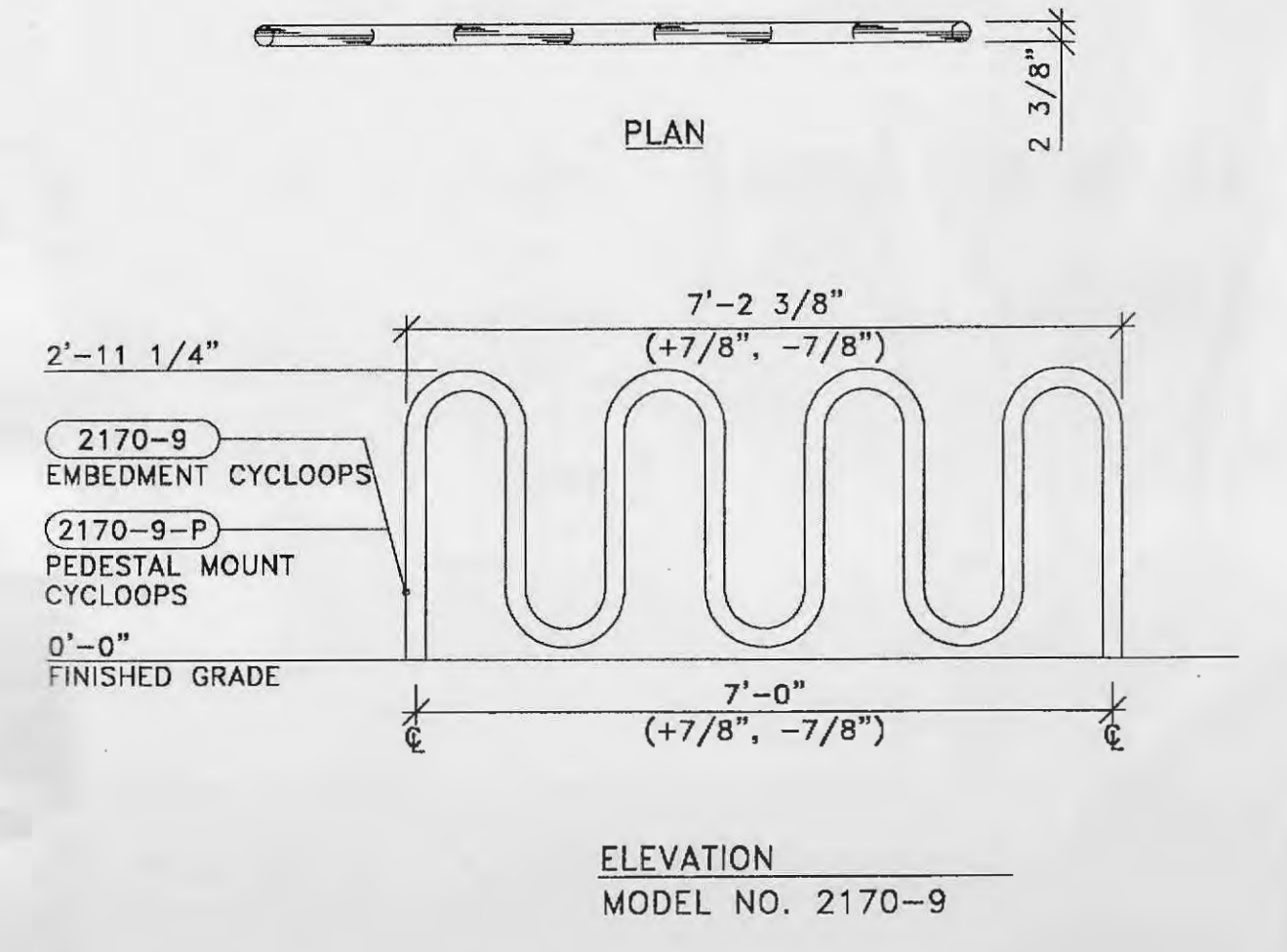
**6 CONC. SIDEWALK DETAIL**  
 SCALE: N.T.S. REF. DWG. C3.0



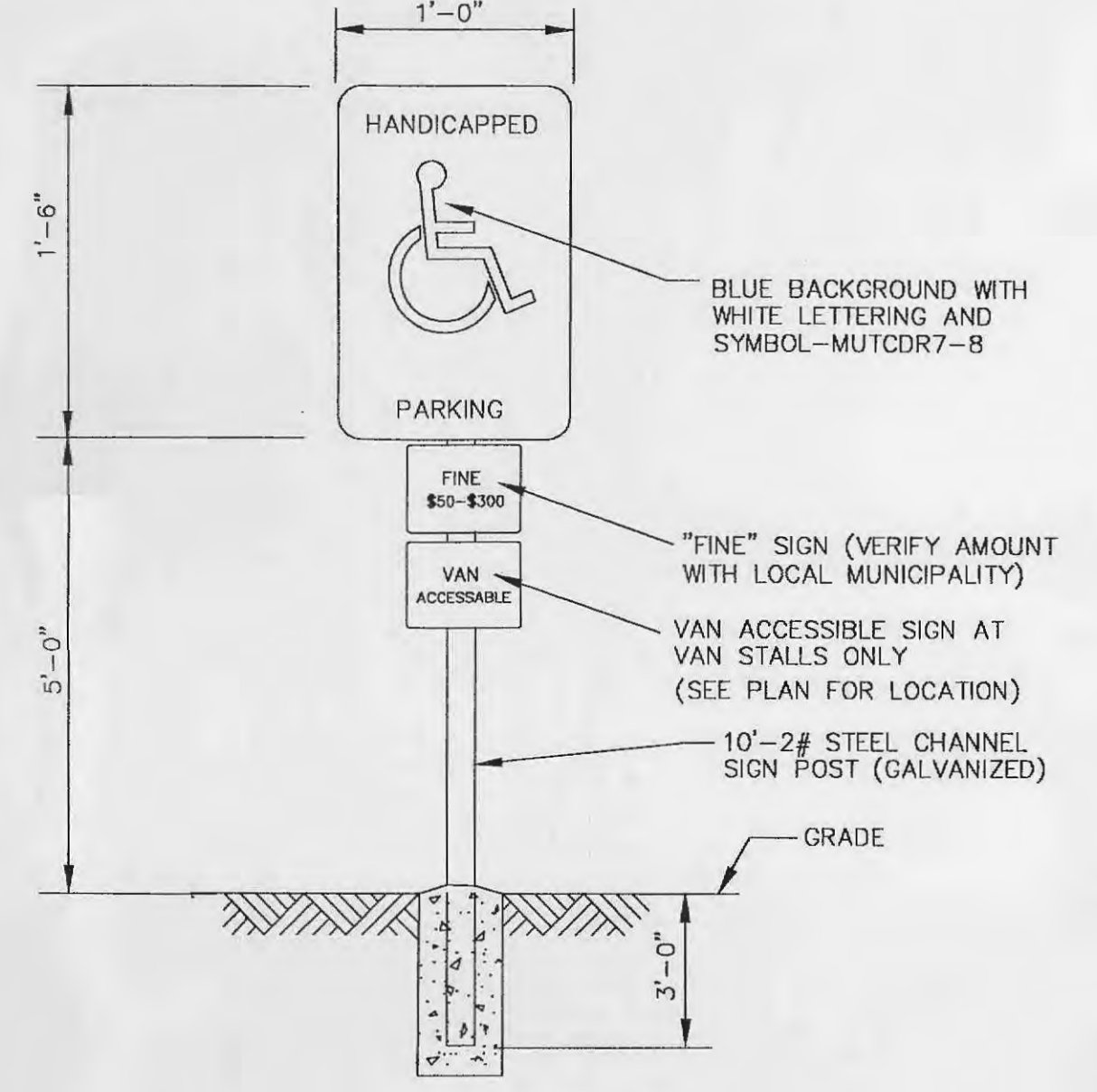
**3 PARKING STALL STRIPING DETAIL**  
 SCALE: N.T.S. REF. DWG. C3.0



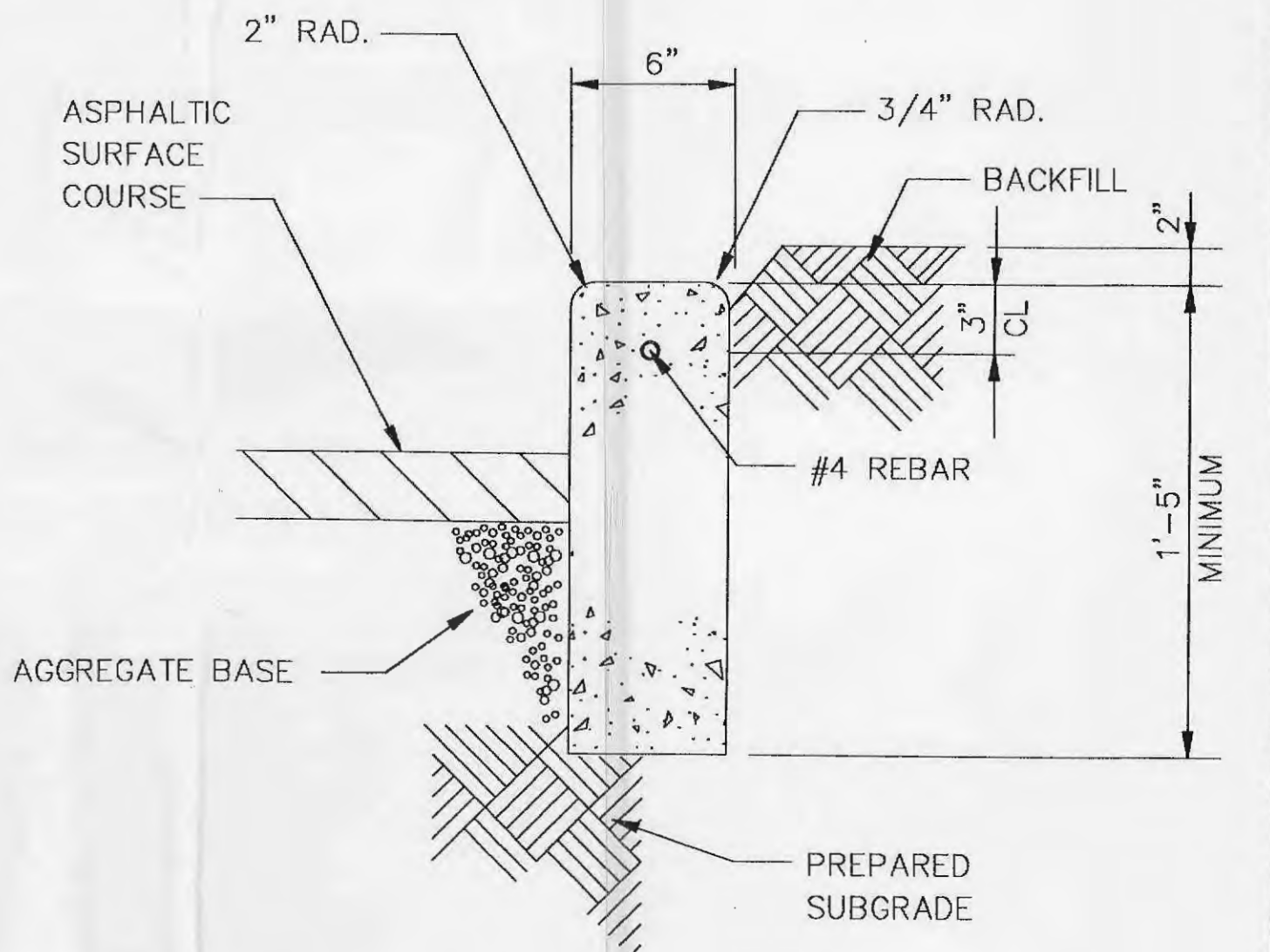
**11 DETECTABLE WARNING SURFACE DETAIL**  
 SCALE: N.T.S. REF. DWG. C3.0



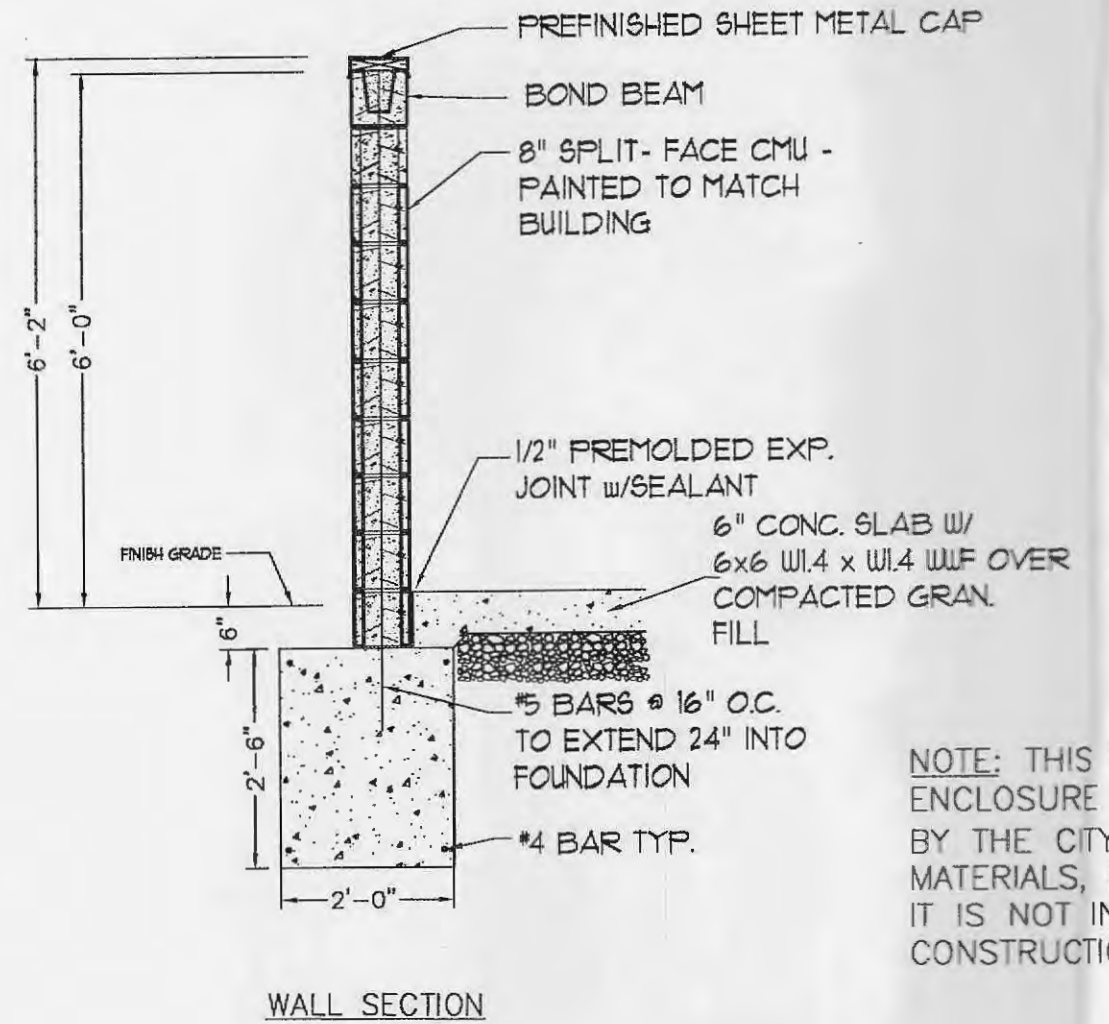
**8 BICYCLE RACK DETAIL**  
 SCALE: N.T.S. REF. DWG. C3.0



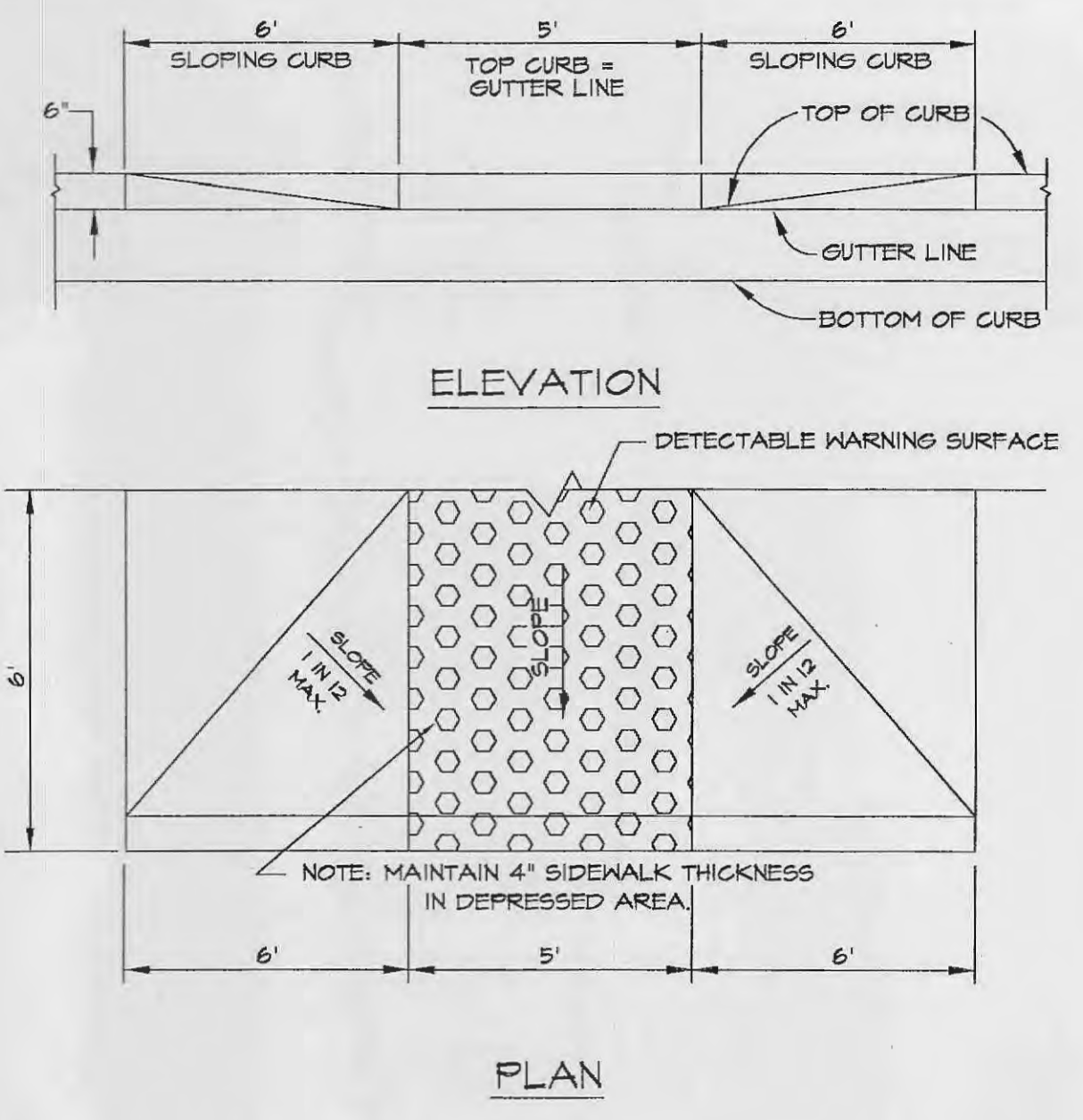
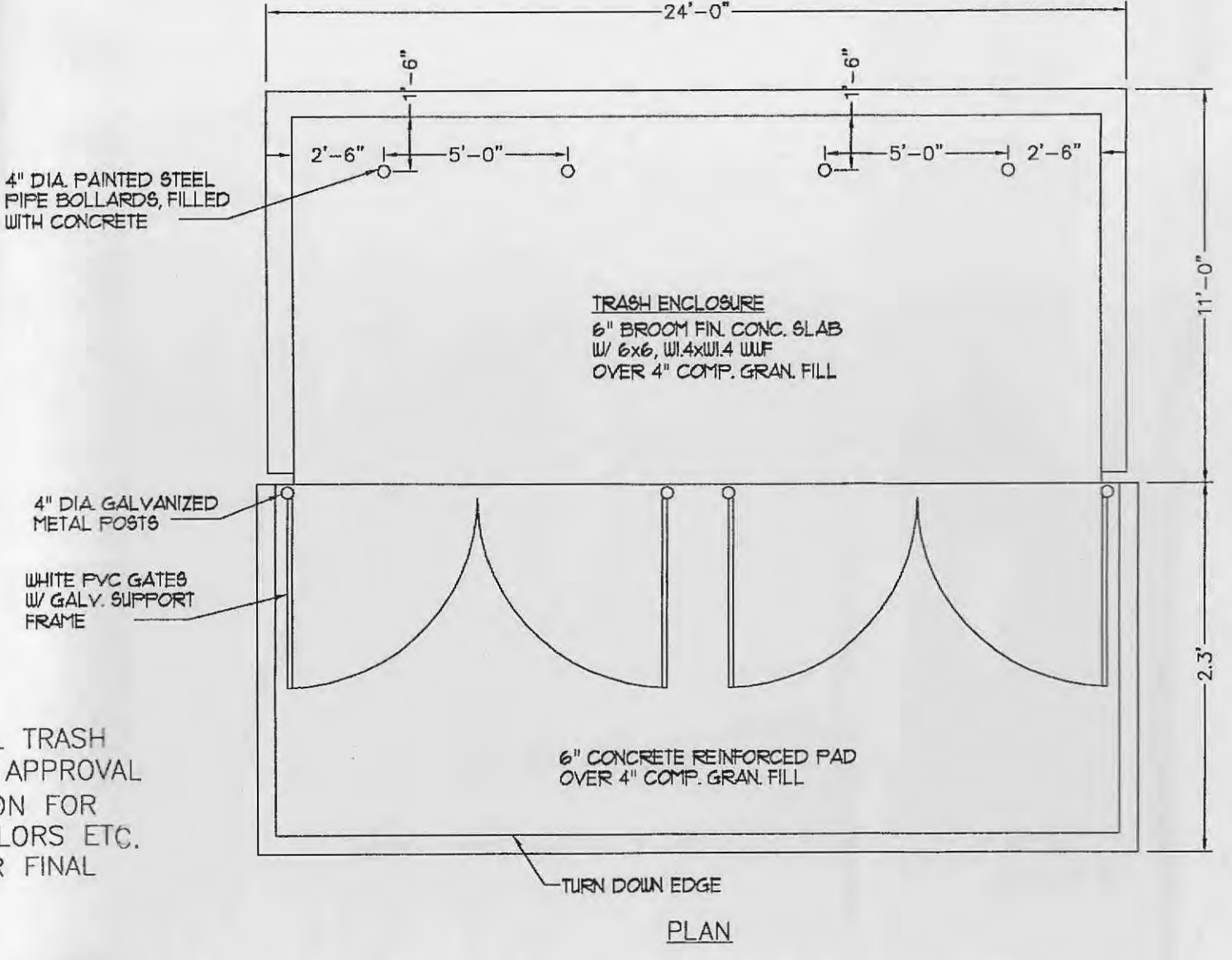
**5 HANDICAP SIGN DETAIL**  
 SCALE: N.T.S. REF. DWG. C3.0



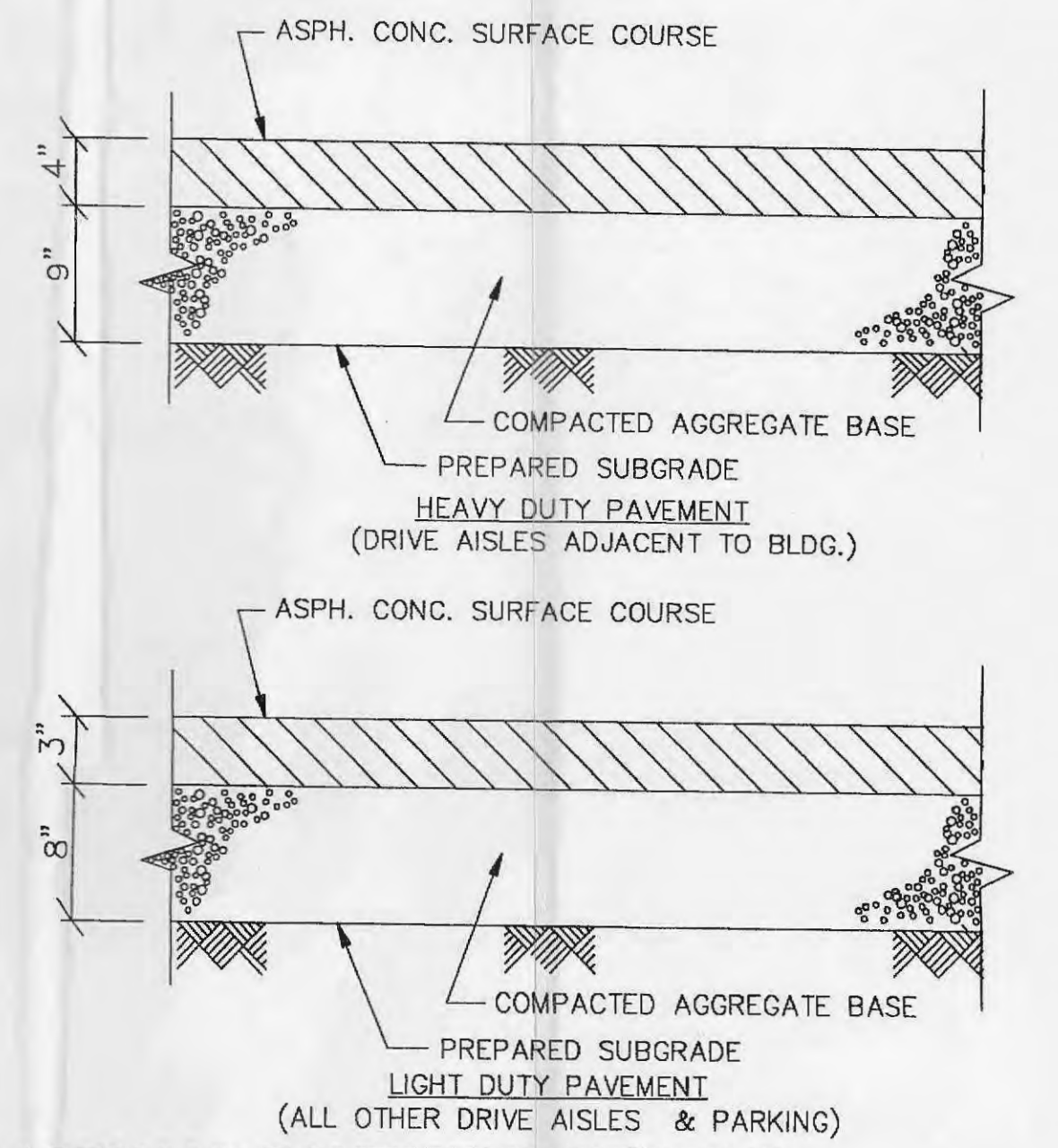
**2 6" VERT. CONC. CURB DETAIL**  
 SCALE: N.T.S. REF. DWG. C3.0



**7 TYPICAL TRASH ENCLOSURE DETAILS**  
 SCALE: N.T.S. REF. DWG. C3.0



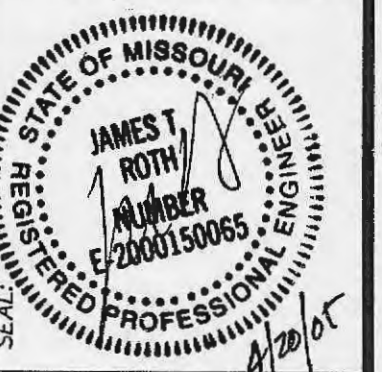
**4 HANDICAP RAMP DETAIL**  
 SCALE: N.T.S. REF. DWG. C3.0



**1 ASPHALT PAVEMENT DETAILS**  
 SCALE: N.T.S. REF. DWG. C3.0

REVISIONS	
DATE	DESCRIPTION
3/25/05	1
3/20/05	2
3/20/05	3

DEVELOPER/OWNER:  
 ALLIANCE ENTERTAINMENT COMPANY  
 300 PROFESSIONAL COURT  
 NEW ALBANY IN. 47105  
 (812) 945-4006



**THE GREAT ESCAPE**  
 HIGHWAY 40/61 AND WINGHAVEN  
 O'FALLON, MO 63366

planning • engineering • surveying • landscape architecture  
**Cole**  
 and ASSOCIATES  
 INCORPORATED  
 10777 sunset office dr. suite 10  
 saint louis, missouri 63127  
 p: 314 984 9887 f: 314 984 0587

DESIGNED BY	JF
DRAWN BY	JF
CHECKED BY	JTR
DATE	2/7/05
Job Number	05-017
Sheet Number	C6.0