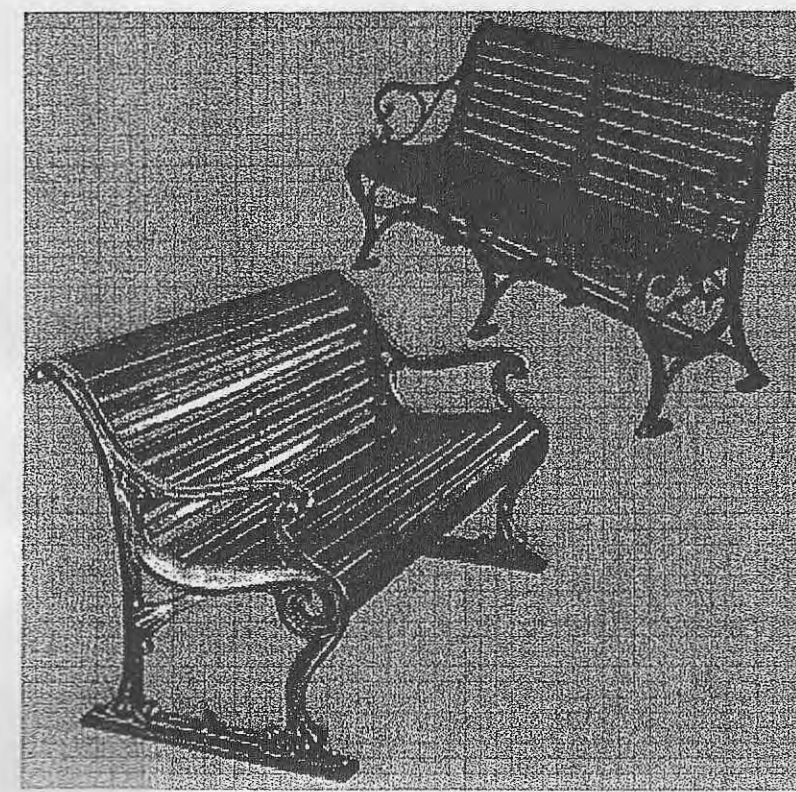
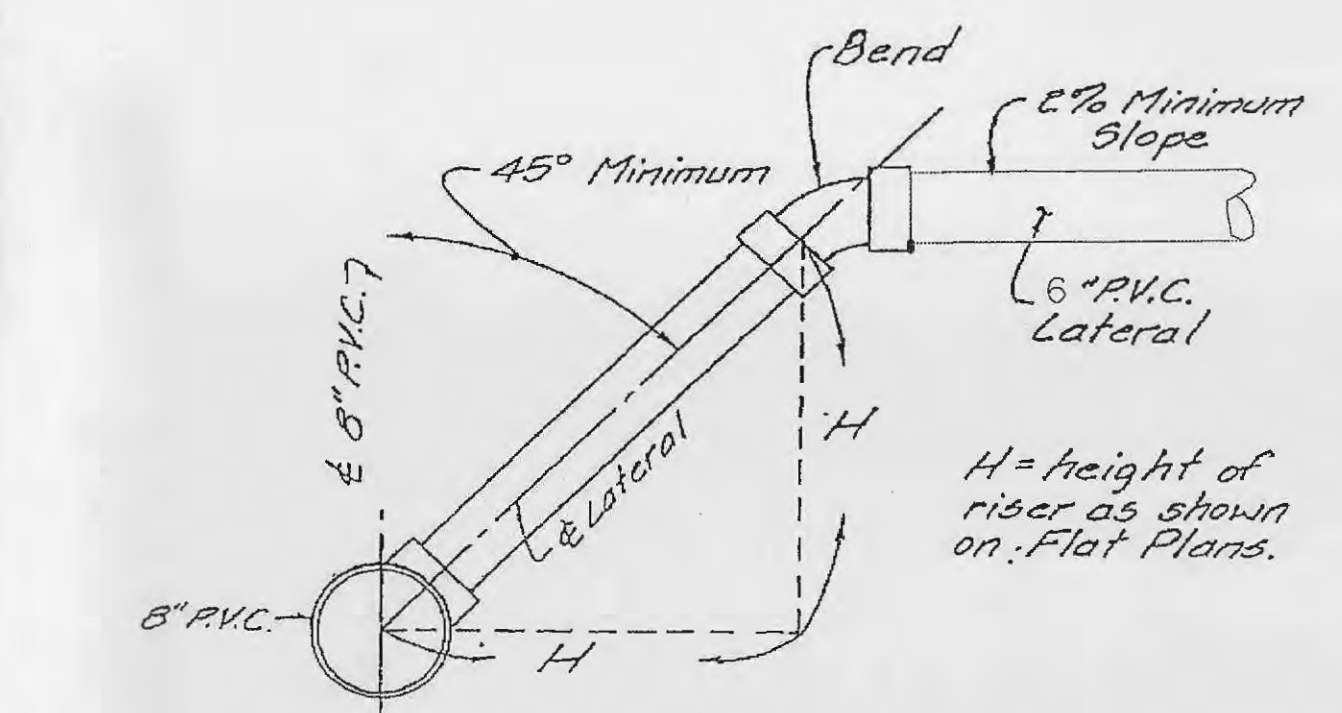


DATE: Apr. 10, 2005 8:30am  
 DRAWING NO.: C055000202 (05-017) (LDS\_05-017) (dwg) (c\_05-017) (SITE DETAILS.dwg)

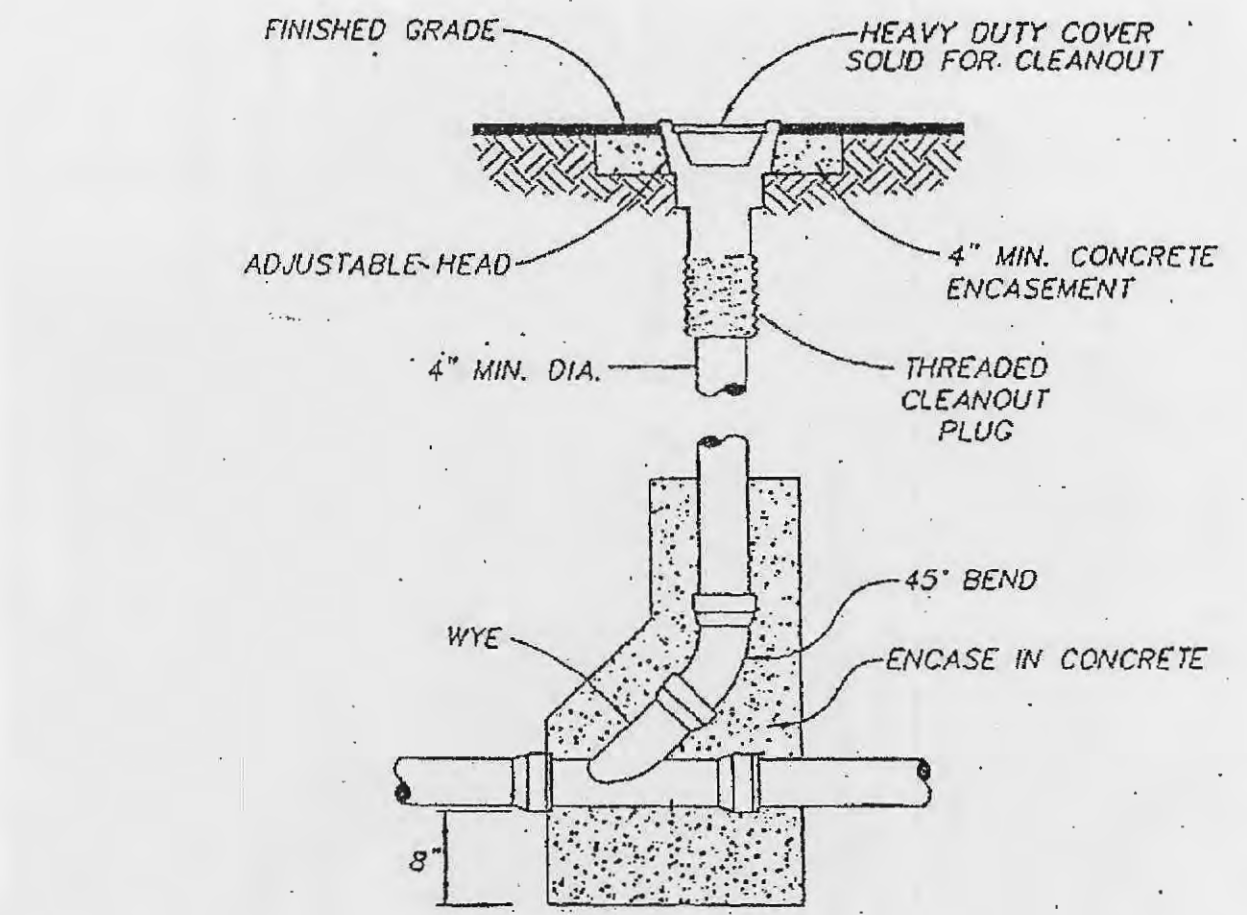


Bottom Left:  
Rhodes Bench  
Sizes 4' to 10' lengths. Castings in aluminum, iron and bronze. Options: Metal slat seat, custom sizes.

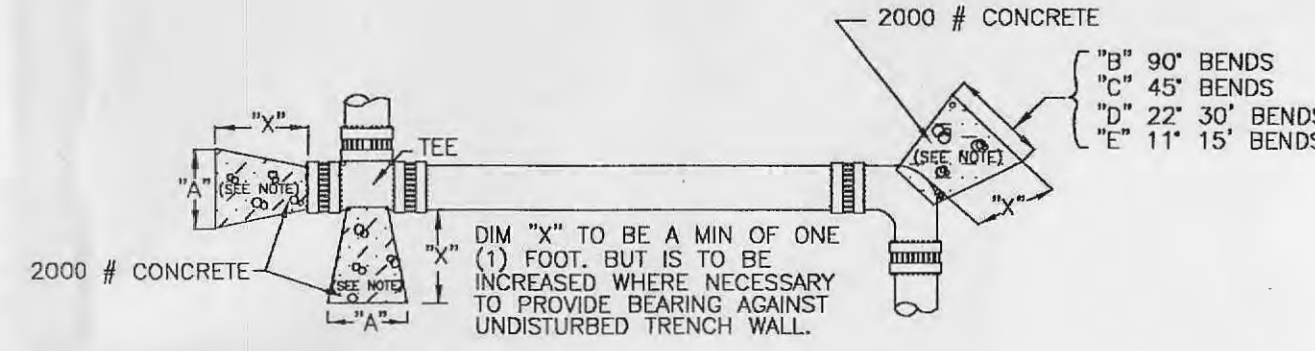
**8 BENCH DETAIL**  
SCALE: N.T.S. REF. DWG. C3.0



**7 SANITARY LATERAL RISER**  
SCALE: N.T.S. REF. DWG. C5.0



**6 CLEANOUT DETAIL**  
SCALE: N.T.S. REF. DWG. C5.0

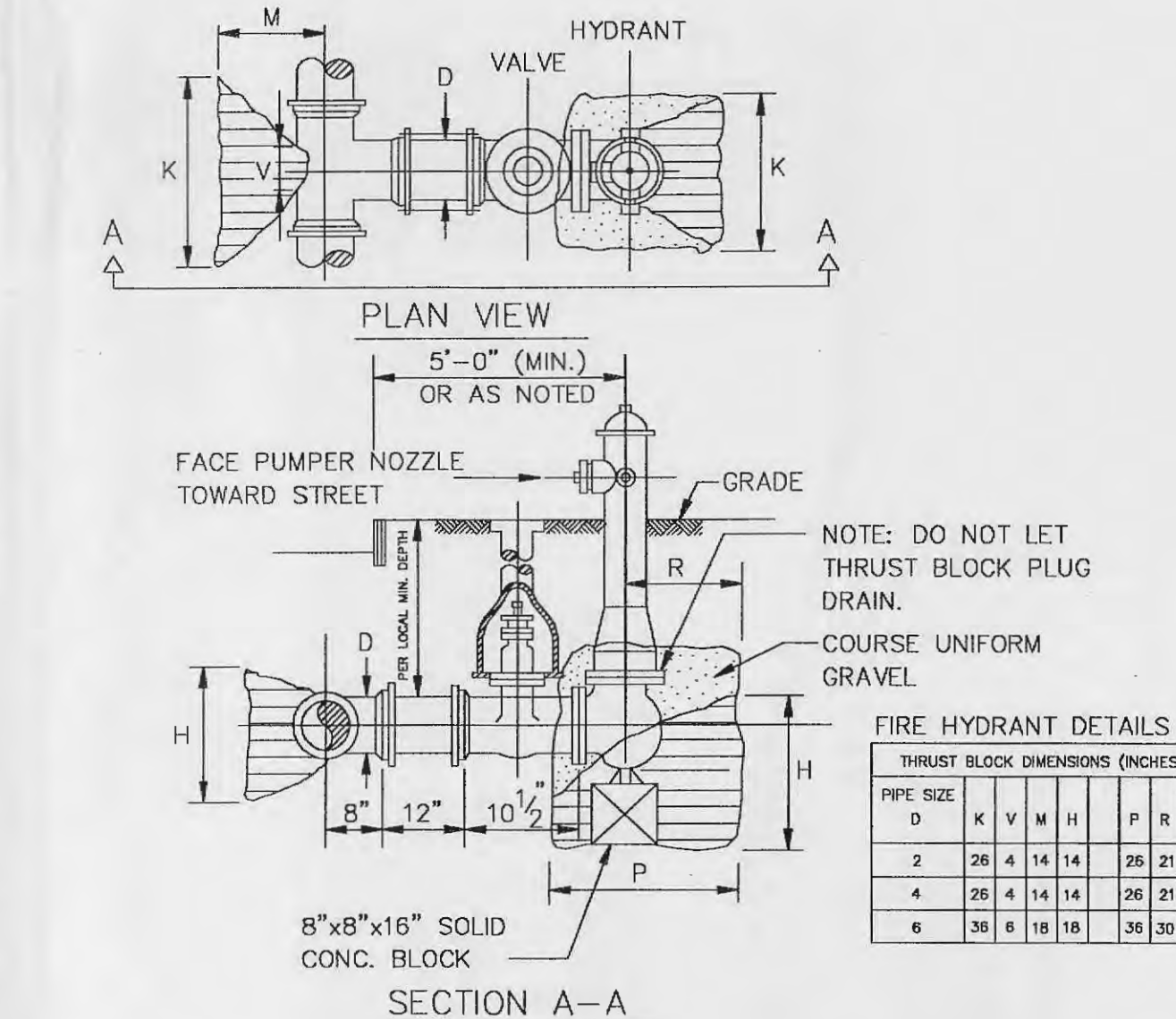


HORIZONTAL BLOCKING TABLE

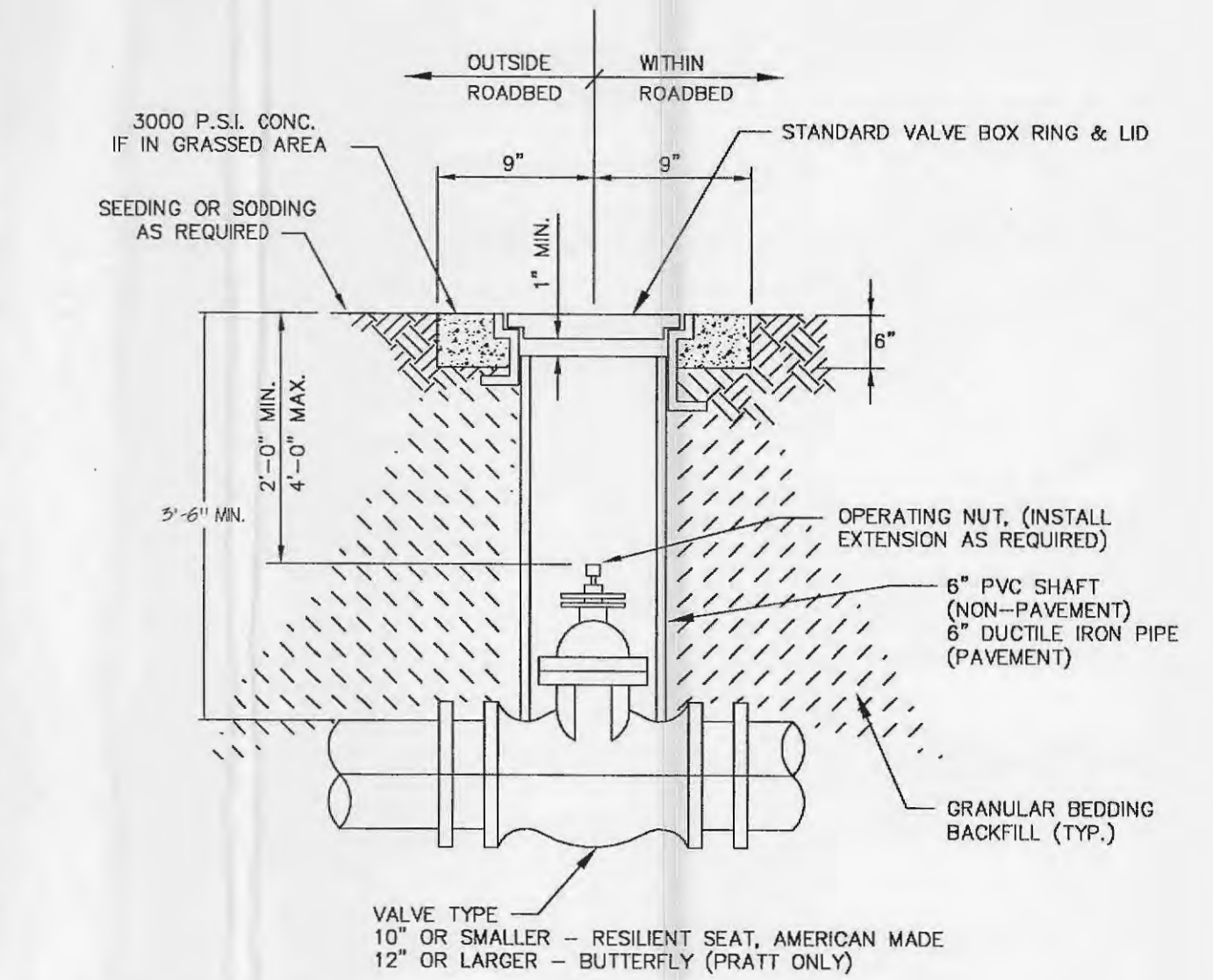
PIPE SIZE	"X" DIM.	PLUGS & TEES		90° BENDS		5° BENDS		22° 30' BENDS		11° 15' BENDS	
		"A" MIN. AREA	"A" MAX. VOL.	"B" MIN. AREA	"B" MAX. VOL.	"C" MIN. AREA	"C" MAX. VOL.	"D" MIN. AREA	"D" MAX. VOL.	"E" MIN. AREA	"E" MAX. VOL.
4"	1'-0"	1'-0"	.83 .05	1'-0"	.83 .05	1'-0"	.83 .05	1'-0"	.83 .05	1'-0"	.83 .05
6"	1'-6"	1'-0"	1.08 .06	1'-2"	1.50 .09	1'-0"	.83 .05	1'-0"	.83 .05	1'-0"	.83 .05
8"	1'-6"	1'-3"	1.89 .11	1'-6"	2.66 .15	1'-3"	1.44 .08	1'-0"	.83 .05	1'-0"	.83 .05
10"	1'-6"	1'-9"	2.95 .17	2'-0"	4.17 .24	1'-6"	2.26 .13	1'-3"	1.15 .07	1'-0"	.83 .05
12"	1'-6"	2'-0"	4.25 .24	2'-3"	6.00 .34	1'-9"	3.25 .18	1'-3"	1.65 .10	1'-0"	.83 .05
16"	2'-0"	2'-7"	7.54 .36	3'-0"	10.85 .79	2'-3"	5.78 .43	1'-9"	2.94 .22	1'-2"	1.48 .11
18"	2'-0"	2'-11"	7.70 .57	3'-6"	10.89 .82	2'-6"	5.89 .44	1'-10"	3.01 .22	1'-5"	1.51 .11
20"	2'-0"	3'-3"	7.86 .59	3'-9"	11.12 .84	2'-9"	6.01 .45	2'-0"	3.07 .23	1'-7"	1.54 .12
24"	6'-0"	3'-8"	11.33 .84	4'-3"	16.00 1.20	3'-2"	8.65 .65	2'-0"	4.42 .33	1'-10"	2.22 .17

\* CALCULATIONS IN MIN. AREA COLUMN ARE IN SQ. FT.  
 + CALCULATIONS IN MAX. AREA COLUMN ARE IN CUBIC YARDS.

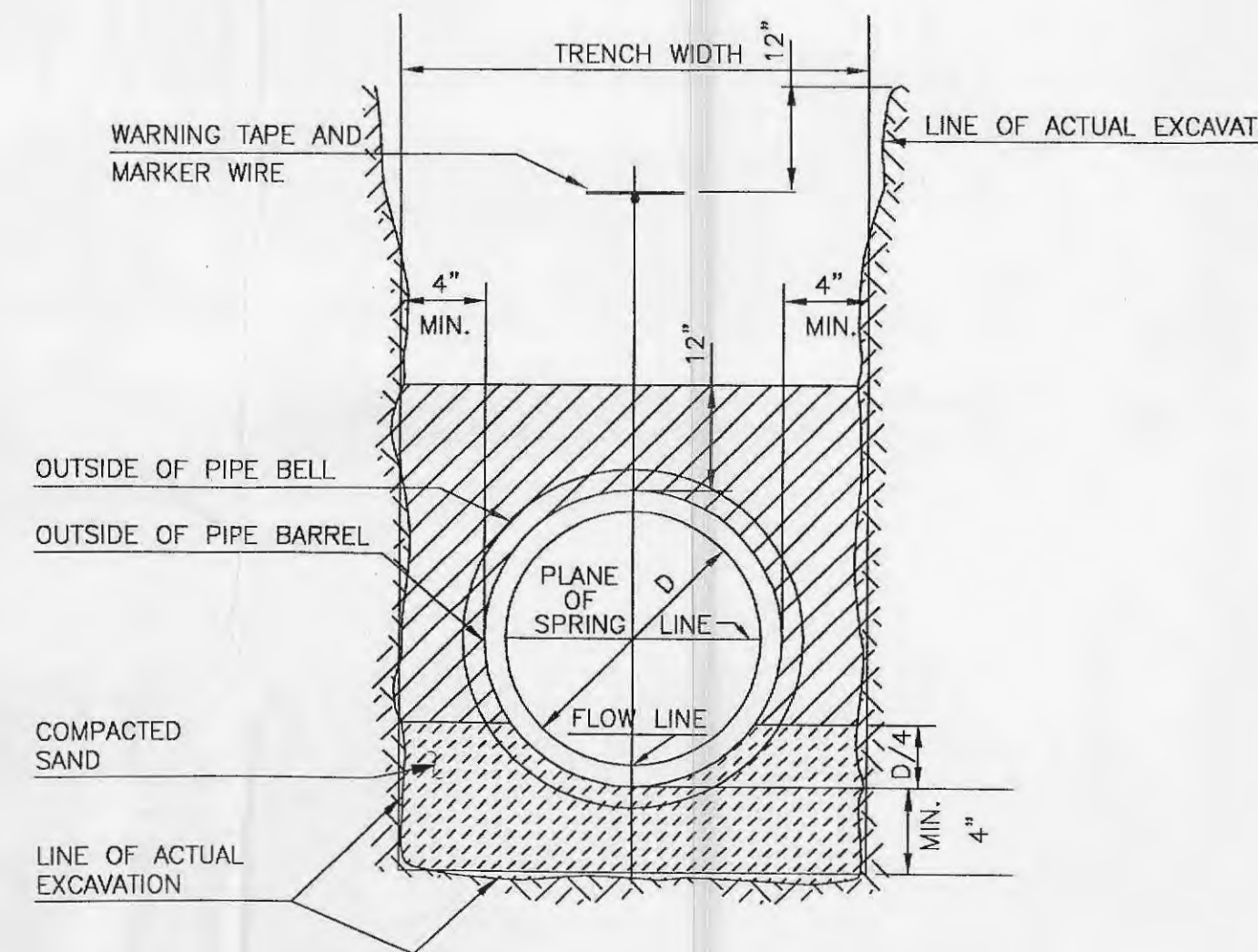
**5 THRUST BLOCKING DETAIL**  
SCALE: N.T.S. REF. DWG. C5.0



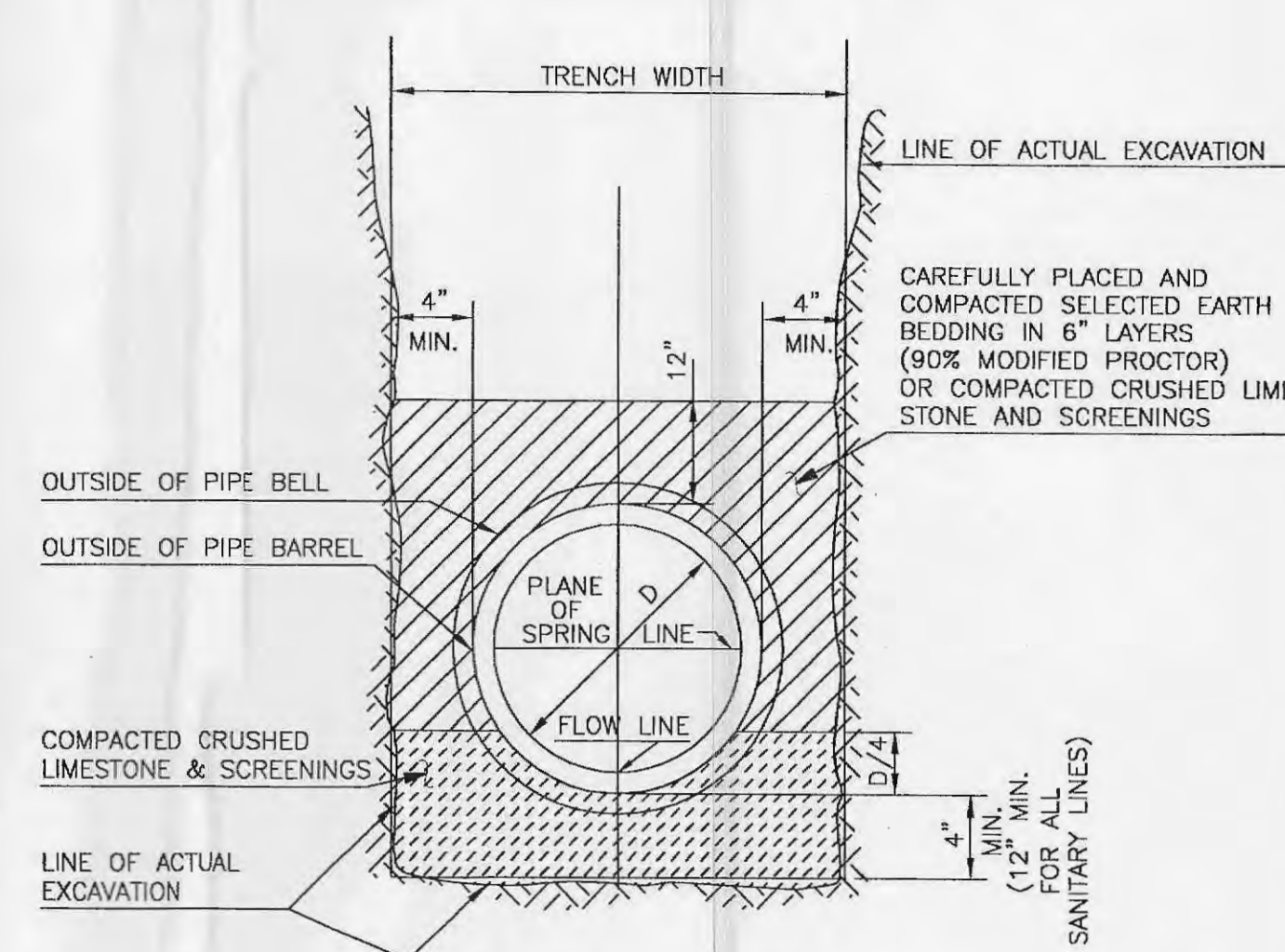
**4 FIRE HYDRANT DETAIL**  
SCALE: N.T.S. REF. DWG. C5.0



**3 WATER VALVE DETAIL**  
SCALE: N.T.S. REF. DWG. C5.0



**2 UTILITY TRENCH DETAIL**  
SCALE: N.T.S. REF. DWG. C5.0

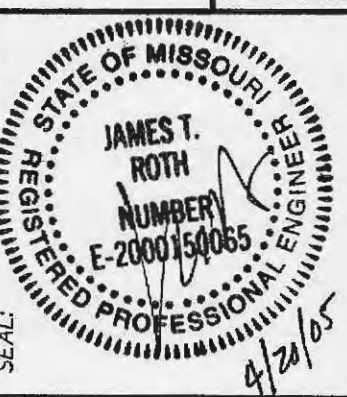


**1 PIPE BEDDING DETAIL (PVC)**  
SCALE: N.T.S. REF. DWG. C5.0

REVISIONS

DATE	ISSUE	DESCRIPTION
3/25/05	1	CITY OF FALLON COMMENTS
3/29/05	2	CITY OF FALLON COMMENTS
4/29/05	3	CALEDONIA CORPORATION OF UTILITIES

DEVELOPER/OWNER:  
**ALLIANCE ENTERTAINMENT COMPANY**  
 300 PROFESSIONAL COURT  
 NEW ALBANY IN. 47105  
 (812) 945-4006



**THE GREAT ESCAPE**  
 HIGHWAY 40/61 AND WINGHAVEN  
 O'FALLON, MO 63366

planning • engineering • surveying • landscape architecture  
**COLE**  
 and ASSOCIATES  
 INCORPORATED  
 10777 sunset office dr. suite 10  
 saint louis, missouri 63127  
 p: 314 984 9887 f: 314 984 0587

DESIGNED BY: JF  
 DRAWN BY: JF  
 CHECKED BY: JTR  
 DATE: 2/7/05  
 Job Number: 05-017  
 Sheet Number: C7.0