

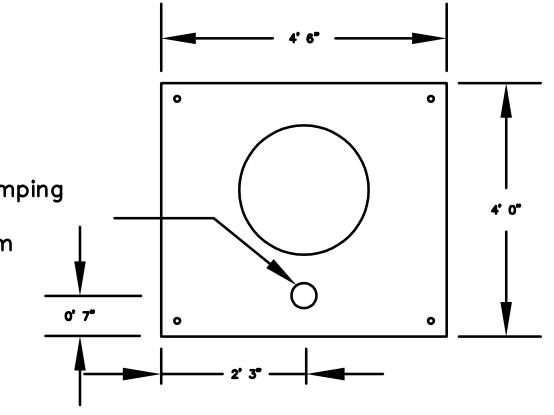
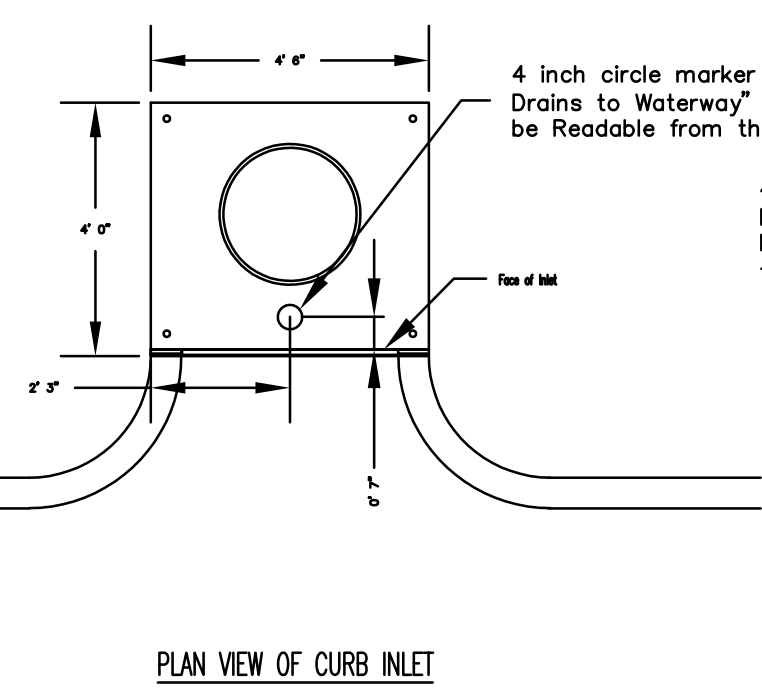
MSD Type 5 Rock Blanket (% By Weight Passing)

Sieve	Maximum	Minimum
12 inch	90	70
6 inch	30	10
1/2 inch	5	0

\* The discharge point of all flared end sections shall be protected by rip rap or other approved means.  
 \*\* Rip rap shown at flared end sections will be evaluated in the field by the Engineer, Contractor, and City Inspectors after installation for effectiveness and field modified, if necessary to reduce erosion on and off site.

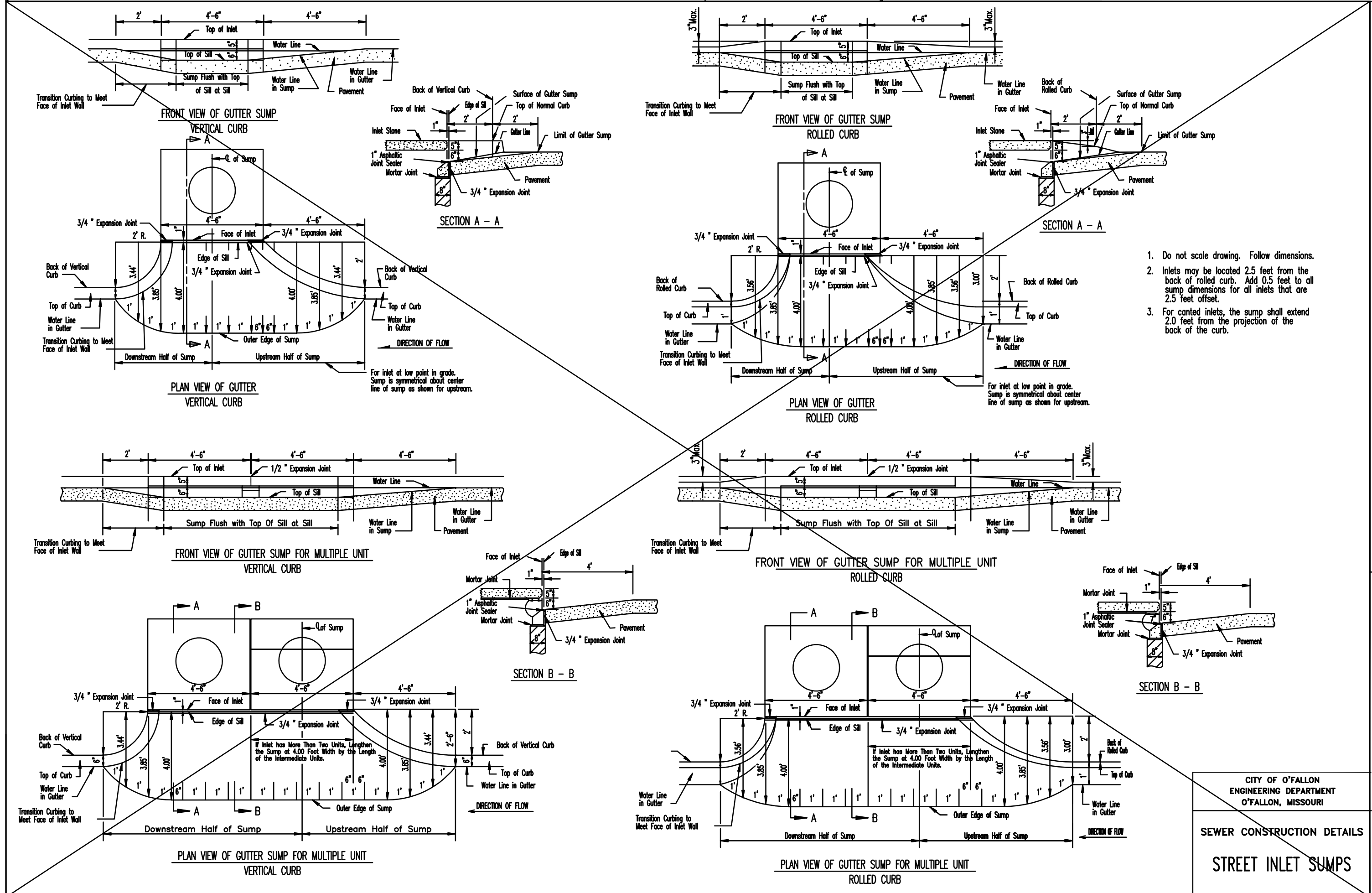
\* The City of O'Fallon must be provided with a symbol/medallion for review and approval prior to installation. Contact the City if any information is needed.

Size	Style	Adhesive	Message (Part #)
3 7/8" TO 4"	Crystal Cap or Standard Style	Epoxy	No Dumping Drains to Waterway



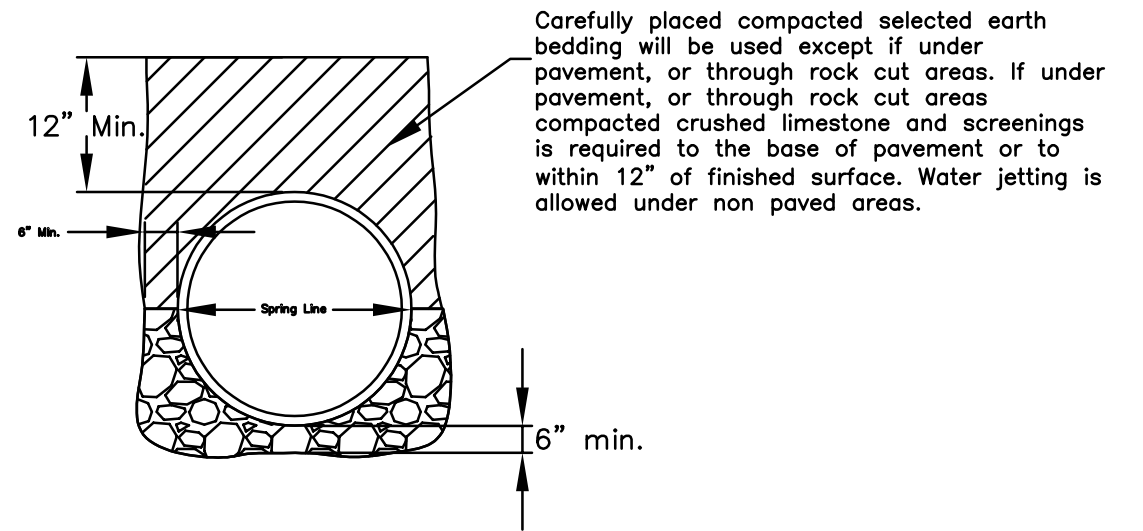
CITY OF O'FALLON  
 ENGINEERING DEPARTMENT  
 O'FALLON, MISSOURI  
 SEWER CONSTRUCTION DETAILS  
 FLARED END SECTION  
 (INLET/OUTLET PROTECTION)

CITY OF O'FALLON  
 ENGINEERING DEPARTMENT  
 O'FALLON, MISSOURI  
 STORM DRAIN  
 MARKER LOCATION

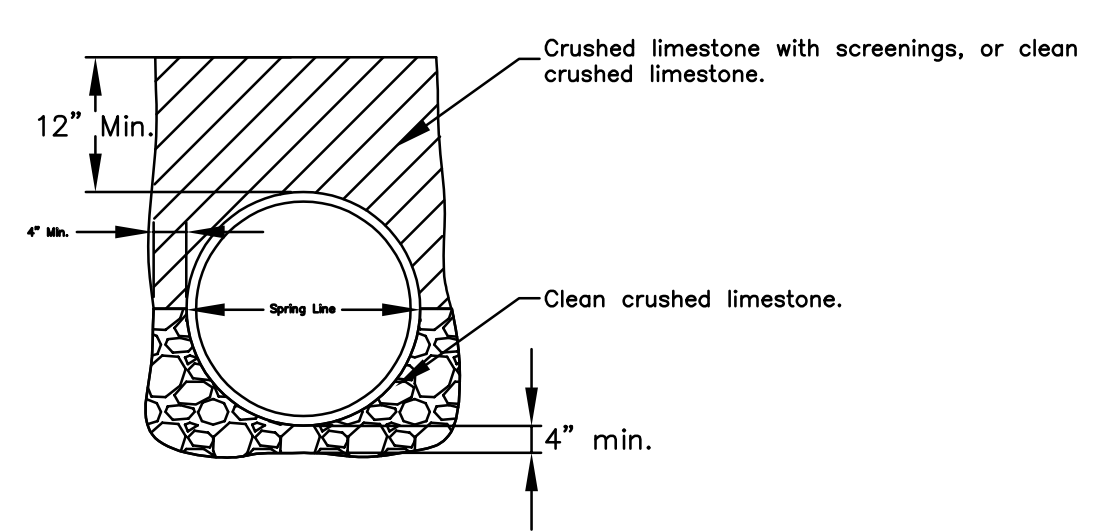


1. Do not scale drawing. Follow dimensions.
2. Inlets may be located 2.5 feet from the back of rolled curb. Add 2.5 feet to all sump dimensions for all inlets that are 2.5 feet offset.
3. For curbed inlets, the sump shall extend 2.0 feet from the projection of the back of the curb.

CITY OF O'FALLON  
 ENGINEERING DEPARTMENT  
 O'FALLON, MISSOURI  
 SEWER CONSTRUCTION DETAILS  
 STREET INLET SUMPS



CITY OF O'FALLON  
 ENGINEERING DEPARTMENT  
 O'FALLON, MISSOURI  
 STORM SEWER  
 TRENCH  
 DETAIL



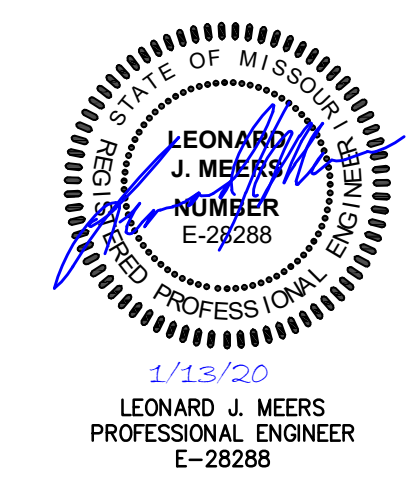
CITY OF O'FALLON  
 ENGINEERING DEPARTMENT  
 O'FALLON, MISSOURI  
 SANITARY SEWER  
 TRENCH  
 DETAIL

\* All other Storm or Sanitary Sewer Details will be by M.S.D. 2000 Standards and Specifications.  
 \*\* All inlets shall have 5/8" trash bar centered with the opening(s).

NO.	DESCRIPTION	DATE
1	REV 1	7-24-2019
2	REV 2	8-23-2019
3	REV 4	10-25-2019
4	REV 5	11-26-2019

PROJECT TITLE  
 THE JEWEL  
 15 CASTLE LANE  
 O'FALLON, MO 63366

GRIMES CONSULTING, INC.  
 Civil Engineering & Surveying Services  
 GRIMES CONSULTING, INC.  
 PROFESSIONAL ENGINEER CORPORATION, E-1470-D  
 PROFESSIONAL LAND SURVEYING CORPORATION, LS-343-0  
 13200 OLD TESSON ROAD  
 ST. LOUIS, MO 63128  
 PH. (314) 849-6100  
 FAX (314) 849-6010  
 www.grimesconsulting.com



Developer / Owner Information  
 VITA Residential  
 CONTACT: Steve Sisson  
 3333 Aspen Grove Dr  
 Franklin, TN 37067  
 Email: steve@vitapmg.com

STORM & SANITARY DETAILS

P+Z No. 19-001400  
 Approval Date: 6/6/2019  
 City No.

Page No.  
 C8.0