

BENDS	"b"	"c"	"d"	"e"	"f"
6"-11 1/4"	8"	15"	12"	24"	10"
6"-22 1/2"	8"	19"	12"	24"	13"
6"-45"	8"	30"	12"	24"	15"
6"-90"	8"	30"	12"	24"	28"
8"-11 1/4"	8"	20"	12"	24"	10"
8"-22 1/2"	8"	22"	12"	24"	13"
8"-45"	8"	31"	12"	24"	15"
8"-90"	8"	30"	12"	24"	28"
12"-11 1/4"	8"	30"	12"	24"	13"
12"-22 1/2"	8"	35"	12"	24"	25"
12"-45"	8"	40"	12"	24"	40"
12"-90"	8"	60"	12"	24"	32"
16"-11 1/4"	TL	28"	20"	24"	28"
16"-22 1/2"	TL	30"	20"	24"	39"
16"-45"	TL	55"	20"	24"	55"
16"-90"	TL	91"	20"	24"	60"
20"-11 1/4"	TL	34"	24"	28"	28"
20"-22 1/2"	TL	48"	24"	28"	39"
20"-45"	TL	74"	24"	28"	55"
20"-90"	TL	130"	24"	28"	60"
24"-11 1/4"	TL	40"	28"	28"	40"
24"-22 1/2"	TL	56"	28"	28"	56"
24"-45"	TL	101"	28"	28"	60"
24"-90"	TL	185"	28"	28"	60"
30"-11 1/4"	TL	40"	34"	30"	40"
30"-22 1/2"	TL	79"	34"	30"	60"
30"-45"	TL	154"	34"	30"	60"
30"-90"	TL	285"	34"	30"	60"

TEES	"a"	"b"	"c"	"d"	"e"
6"x6"x6"	12"	24"	24"	18"	18"
6"x6"x8"	12"	24"	24"	18"	18"
6"x6"x12"	12"	24"	24"	18"	18"
6"x8"x6"	12"	24"	24"	18"	18"
6"x8"x8"	12"	24"	24"	18"	18"
6"x8"x12"	12"	24"	24"	18"	18"
6"x12"x6"	12"	24"	24"	18"	18"
6"x12"x8"	12"	24"	24"	18"	18"
6"x12"x12"	12"	24"	24"	18"	18"
8"x8"x8"	12"	24"	24"	18"	18"
8"x8"x12"	12"	24"	24"	18"	18"
8"x12"x12"	12"	24"	24"	18"	18"
12"x12"x12"	12"	24"	24"	18"	18"
12"x24"x18"	18"	18"	18"	18"	18"
18"x24"x18"	18"	18"	18"	18"	18"

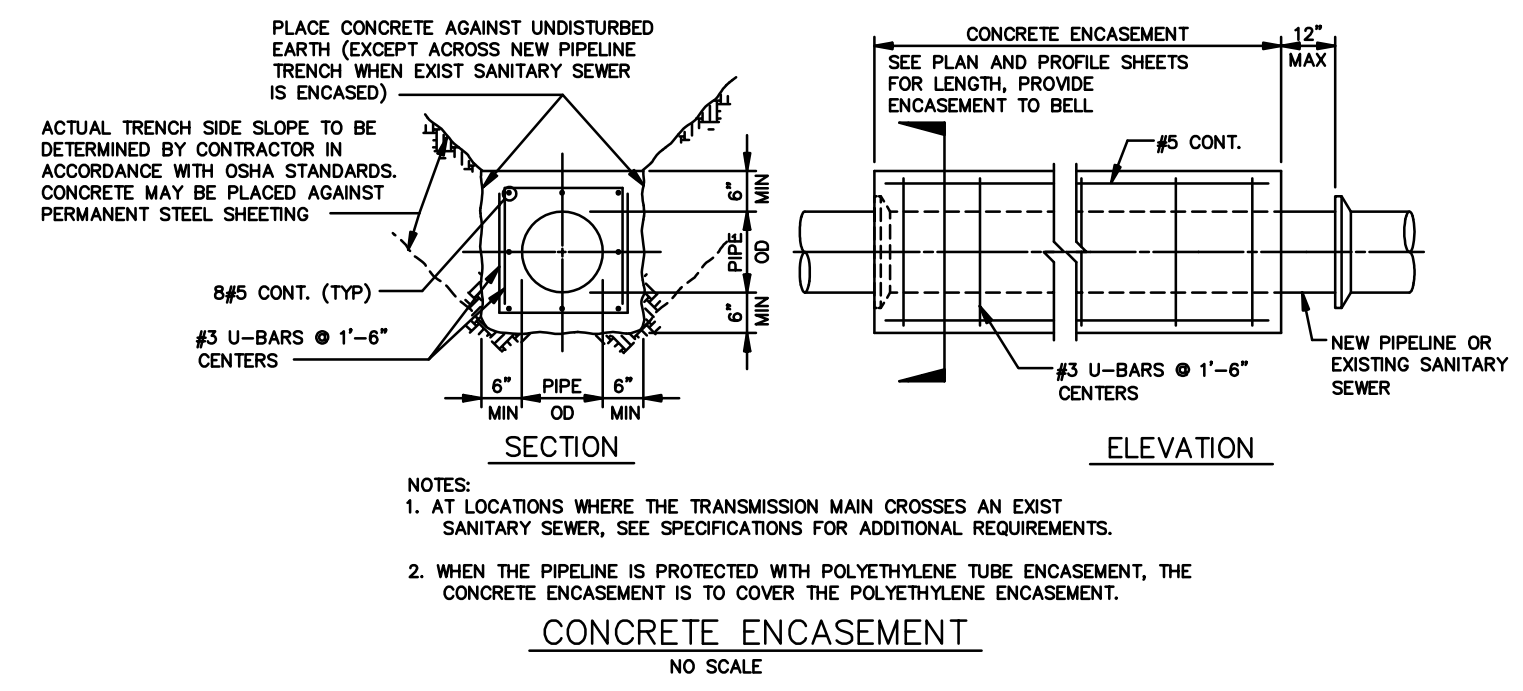
NOTES:
 1. 2" & 4" FITTINGS EQUIVALENT TO 6" FITTINGS.
 2. TAPPING SLEEVES TO HAVE BACKING BLOCKS SAME SIZE AS REQUIRED FOR TEES.
 3. "TL" = TOTAL LENGTH OF FITTING MINUS CLEARANCE FOR BELLS.

INTERNAL WATER PRESSURE 6" through 12"=200 psi
 INTERNAL WATER PRESSURE 16" through 30"=210 psi
 BEARING PRESSURE OF SOIL=2000 psi

BACKING BLOCKS
 NOT TO SCALE

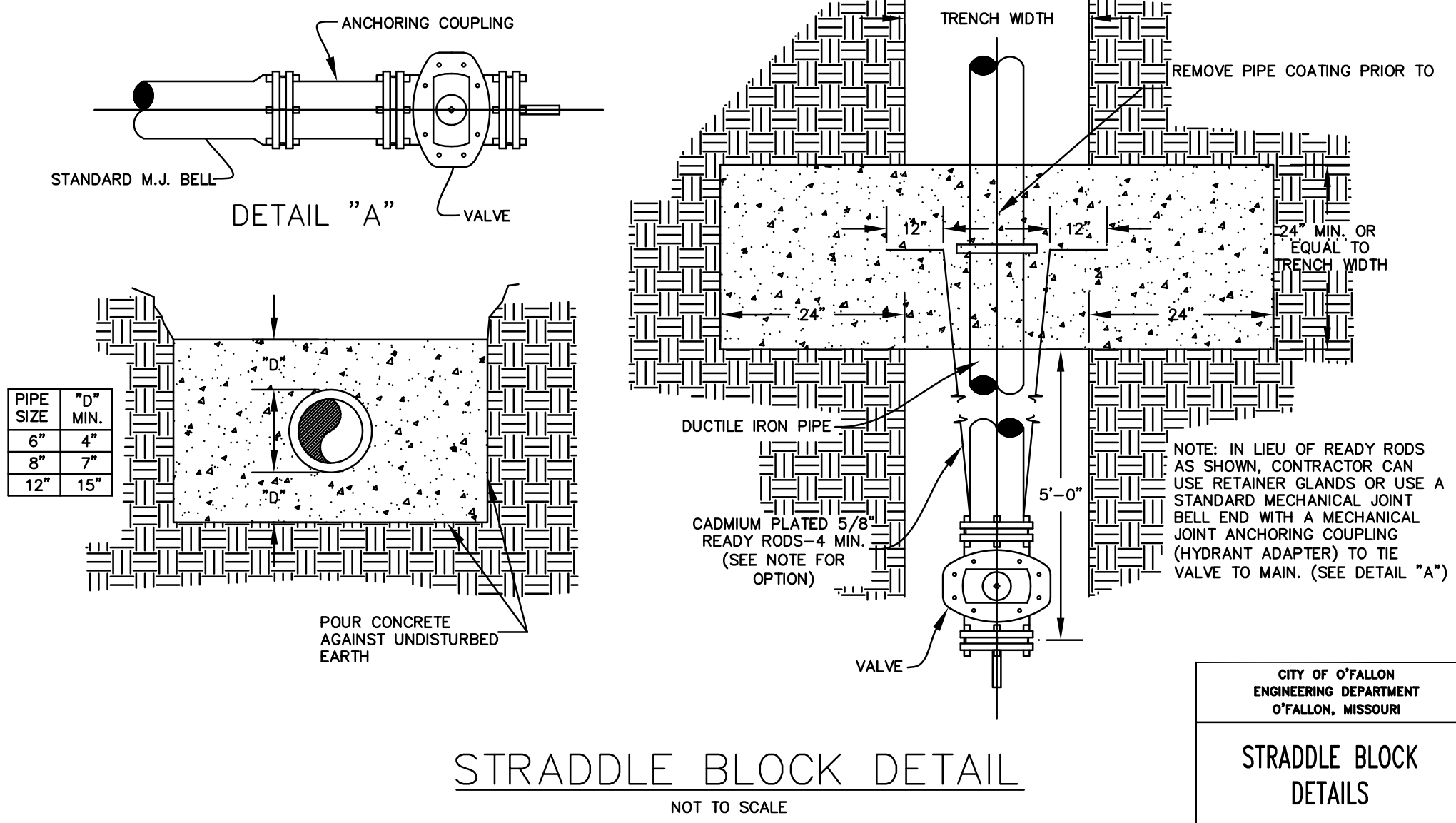
CITY OF O'FALLON
 ENGINEERING DEPARTMENT
 O'FALLON, MISSOURI

**BACKING BLOCK
 DETAILS AND LOCATIONS**



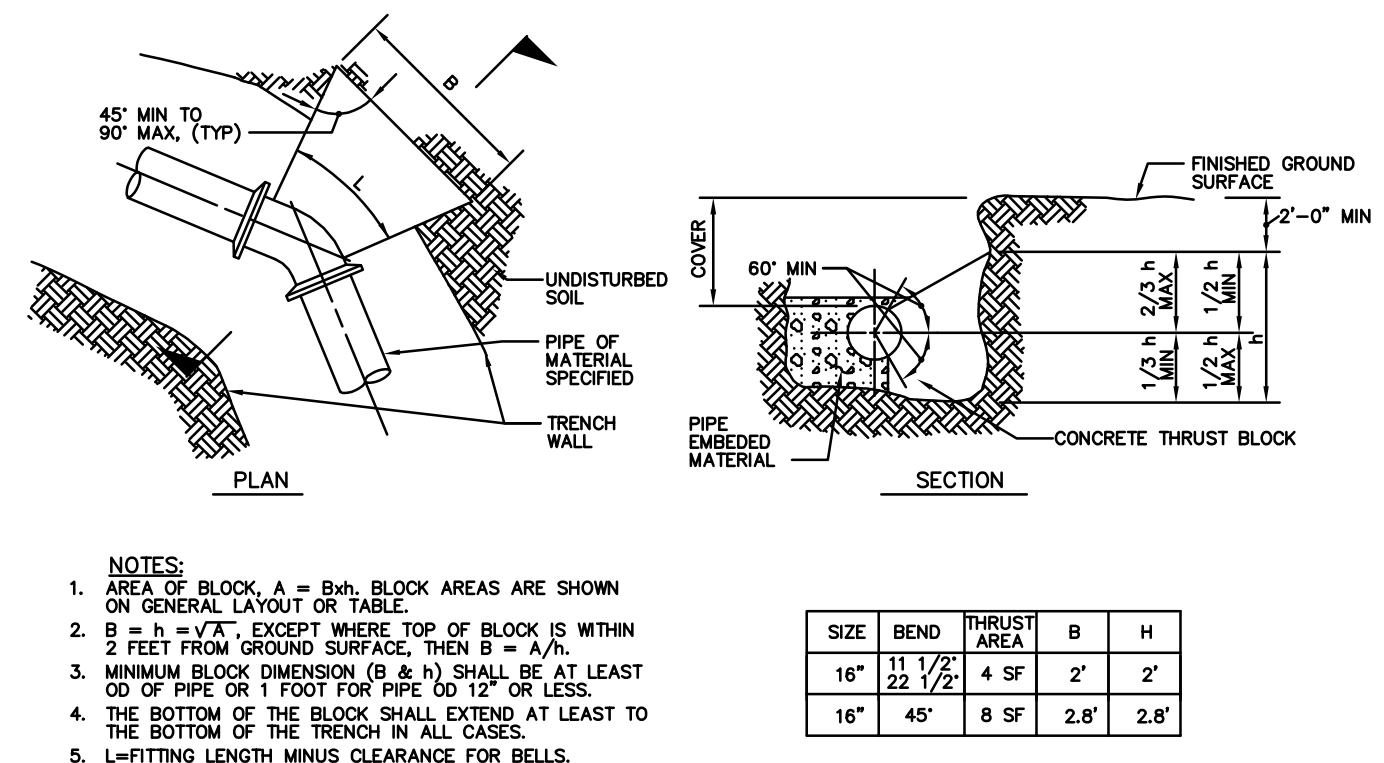
CITY OF O'FALLON
 ENGINEERING DEPARTMENT
 O'FALLON, MISSOURI

**CONCRETE ENCASEMENT
 DETAILS**



CITY OF O'FALLON
 ENGINEERING DEPARTMENT
 O'FALLON, MISSOURI

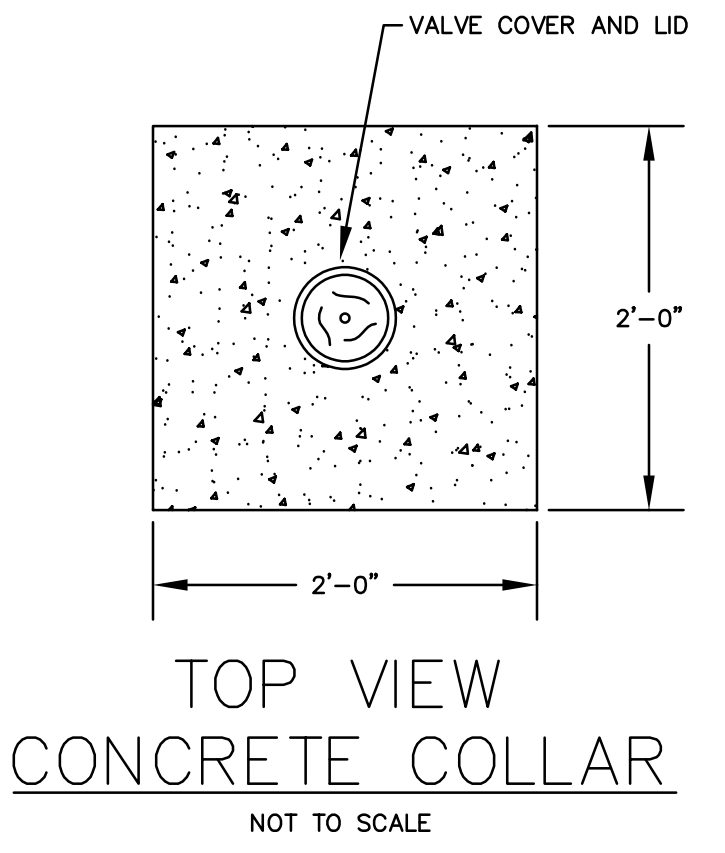
**STRADDLE BLOCK
 DETAILS**



CONCRETE THRUST BLOCKING
 NOT TO SCALE

CITY OF O'FALLON
 ENGINEERING DEPARTMENT
 O'FALLON, MISSOURI

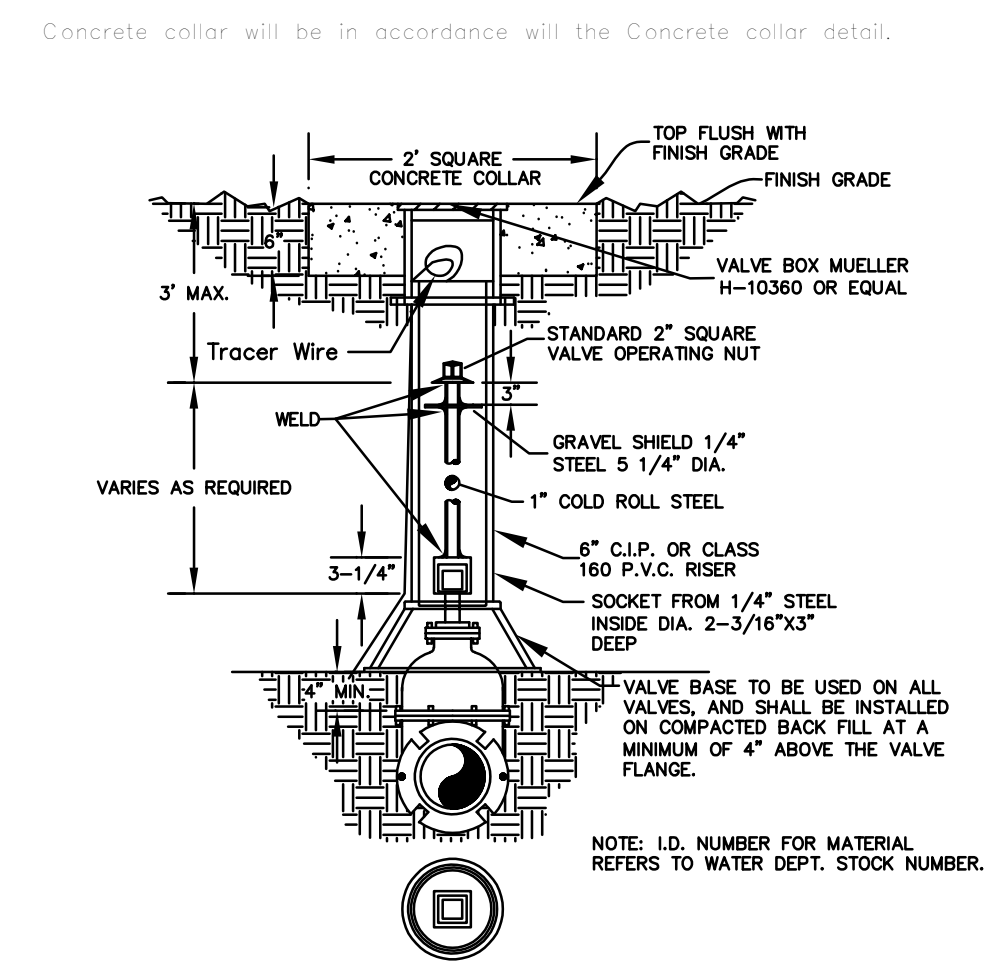
**CONCRETE THRUST
 BLOCKING DETAILS**



Note: 1. Concrete collar joint pattern is required in paved areas such as roadways, driveways, sidewalks or other areas of paved surfaces.
 2. Concrete collars are optional in other non-paved areas.

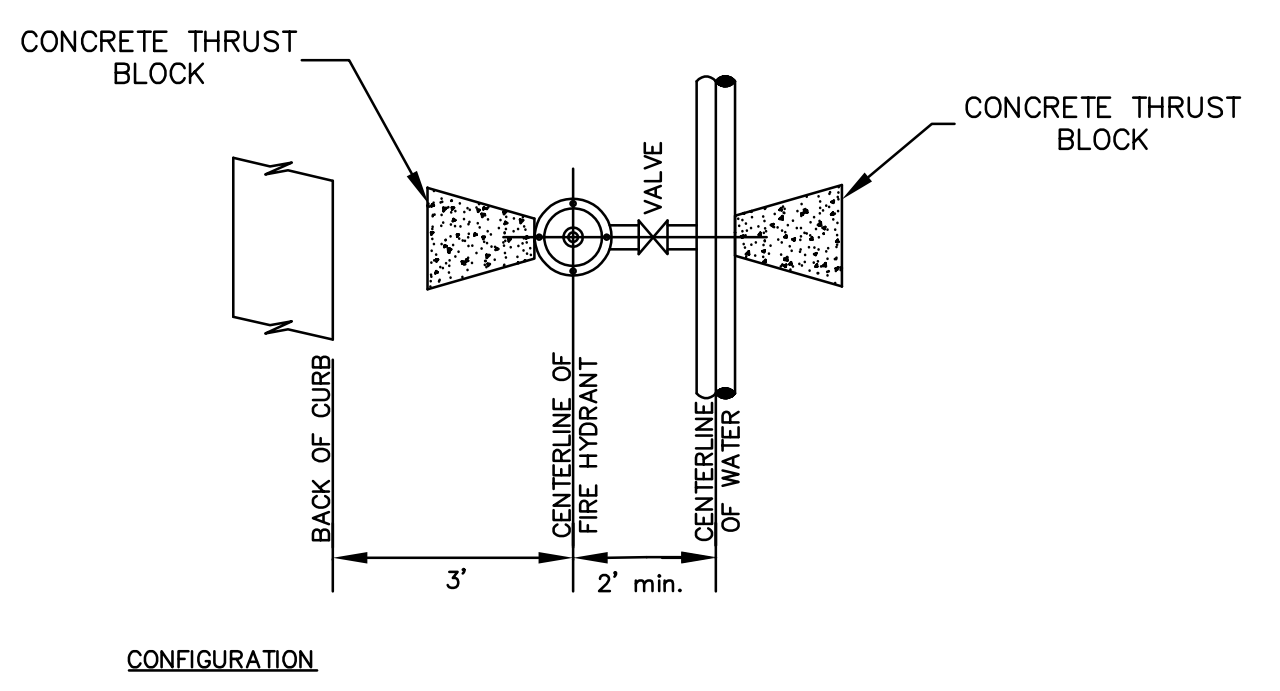
CITY OF O'FALLON
 ENGINEERING DEPARTMENT
 O'FALLON, MISSOURI

**CONCRETE
 COLLAR DETAIL**



CITY OF O'FALLON
 ENGINEERING DEPARTMENT
 O'FALLON, MISSOURI

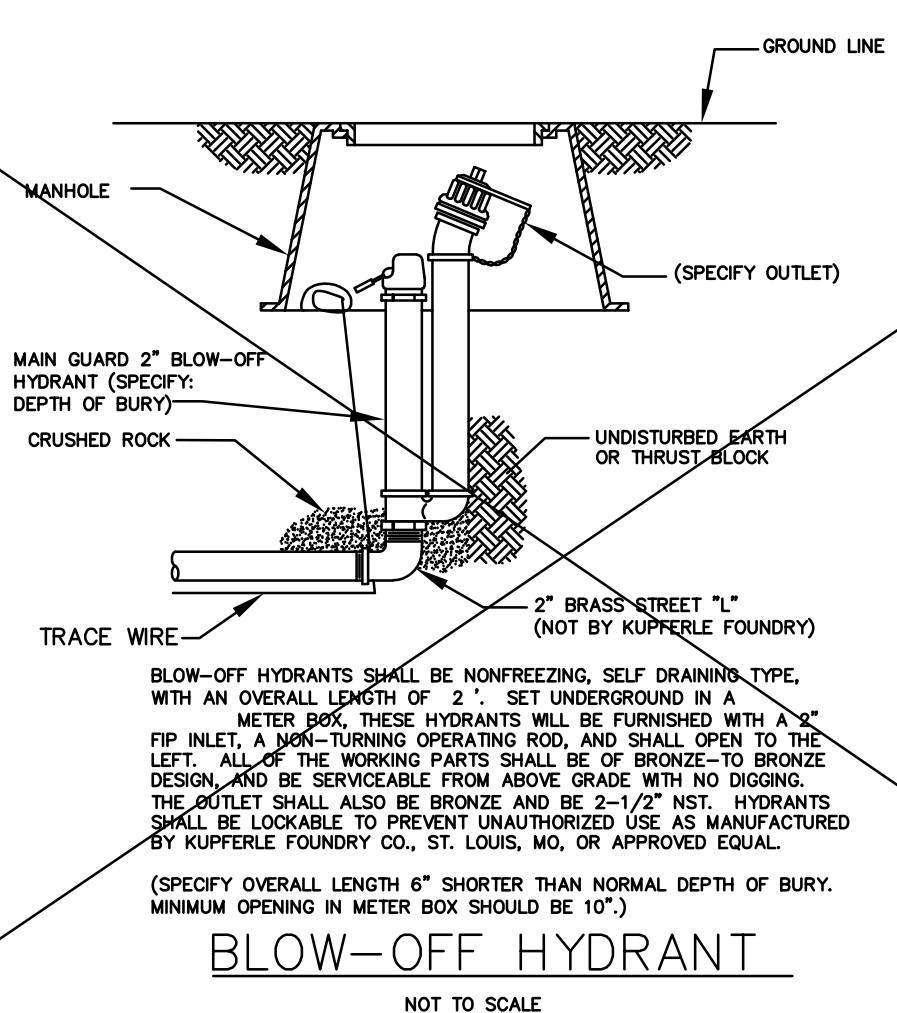
**WATER
 VALVE DETAIL**



**TYPICAL WATER MAIN AND FIRE
 HYDRANT LOCATIONS**
 NOT TO SCALE

CITY OF O'FALLON
 ENGINEERING DEPARTMENT
 O'FALLON, MISSOURI

**WATER MAIN
 FIRE HYDRANT DETAIL**



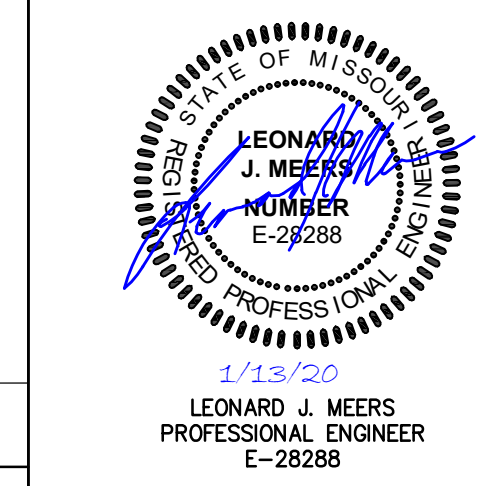
CITY OF O'FALLON
 ENGINEERING DEPARTMENT
 O'FALLON, MISSOURI

**BLOW-OFF
 HYDRANT DETAIL**

NO.	DESCRIPTION	DATE
1	REV 1	7-24-2019
2	REV 2	8-23-2019
3	REV 4	10-25-2019
4	REV 5	11-26-2019

PROJECT TITLE
 THE JEWEL
 15 CASTLE LANE
 O'FALLON, MO 63366

GRIMES CONSULTING, INC.
 Civil Engineering & Surveying Services
 GRIMES CONSULTING, INC.
 PROFESSIONAL ENGINEER CORPORATION, E-1470-D
 PROFESSIONAL LAND SURVEYING CORPORATION, LS-345-0
 12300 OLD TESSON ROAD
 ST. LOUIS, MO 63128
 PH. (314) 849-6100
 FAX. (314) 849-6010
 www.grimesconsulting.com



LEONARD J. MEERS
 PROFESSIONAL ENGINEER
 E-28288

Developer / Owner Information
 VITA Residential
 CONTACT: Steve Sisson
 3333 Aspen Grove Dr
 Franklin, TN 37067
 Email: steve@vitapmg.com

P+Z No. 19-001400
 Approval Date: 6/6/2019

City No.

Page No.
C8.1

WATER DETAILS