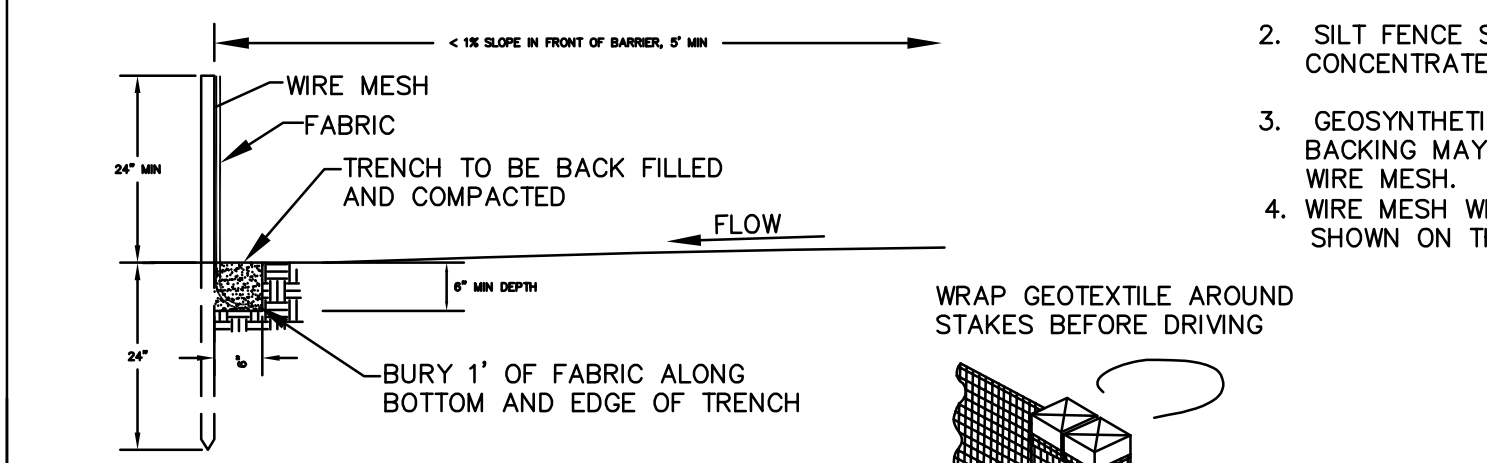
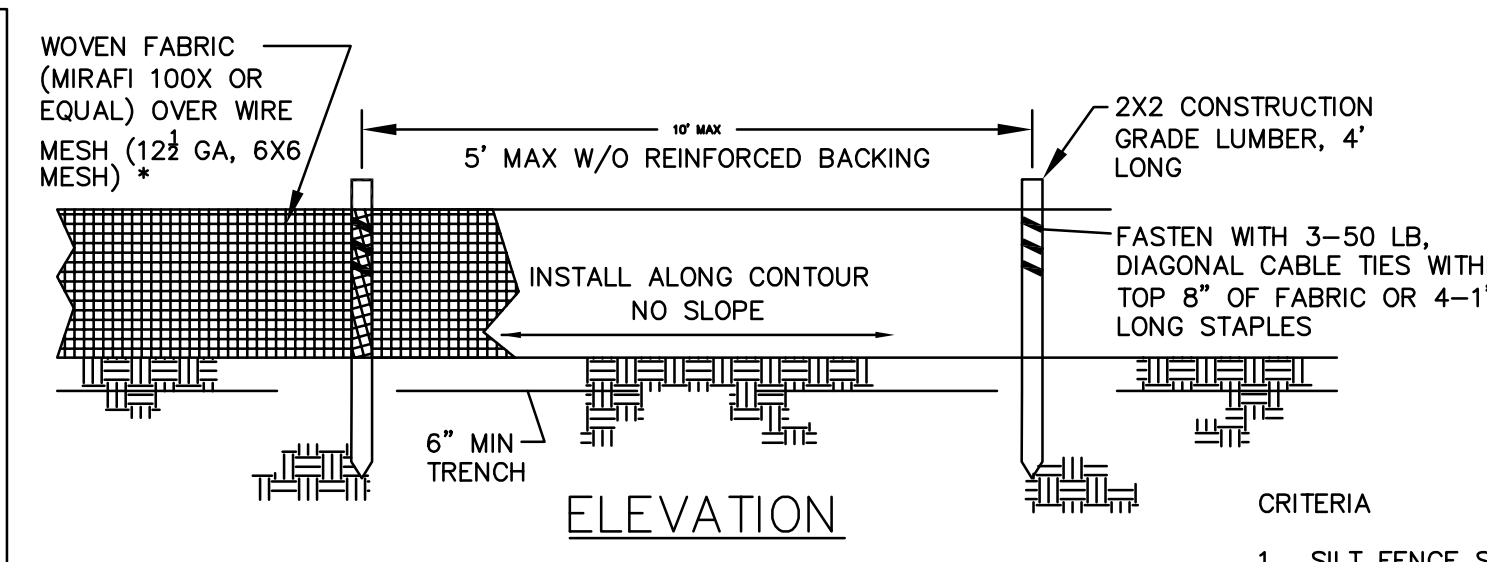


- DESIGN CRITERIA**
- SILT FENCE FOR SHEET FLOW SHALL HAVE A MAXIMUM DRAINAGE AREA OF 1/4 ACRE PER 100 LF.
 - STRAW BALE BARRIERS FOR SHEET FLOW SHALL HAVE A MAXIMUM DRAINAGE AREA OF 1/4 ACRE PER 100 LF.
 - REFER TO INDIVIDUAL ESC FIGURE FOR INSTALLATION.
 - TERRACING INCLUDES LOGS, WATTLES & FILTER SOCKS.

CITY OF O'FALLON
ENGINEERING DEPARTMENT
O'FALLON, MISSOURI

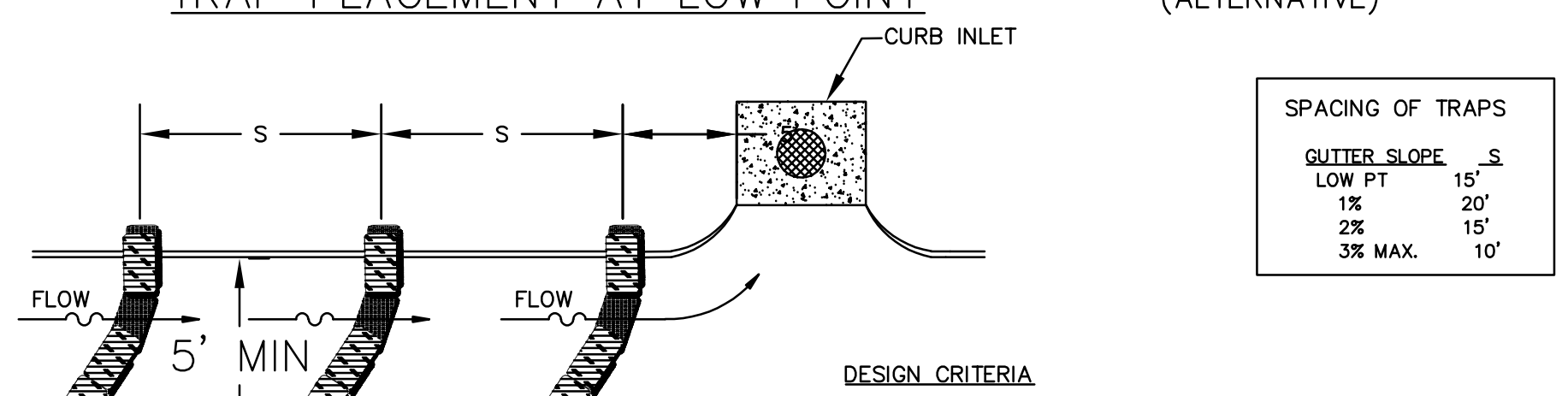
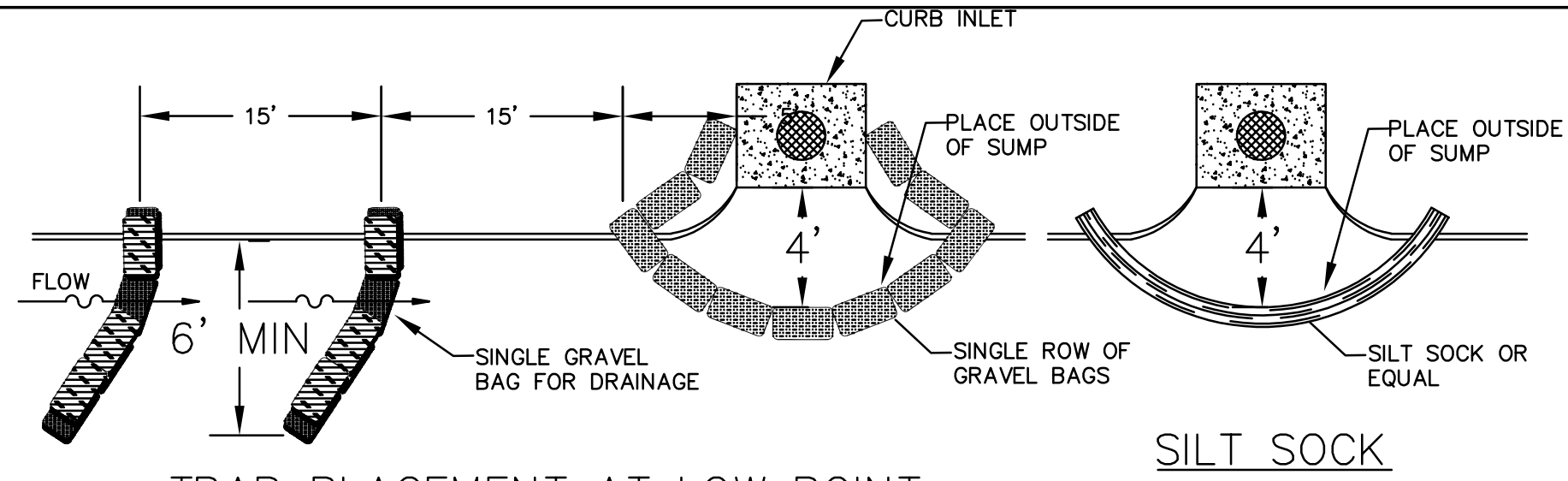
SPACING CHART FOR ESC DEVICES



- CRITERIA**
- SILT FENCE SHALL BE 24 INCHES HIGH.
 - SILT FENCE SHALL NOT BE USED FOR CONCENTRATED FLOWS.
 - GEOSYNTHETIC REINFORCED SILT FENCE BACKING MAY BE USED IN LIEU OF WIRE MESH.
 - WIRE MESH WILL BE USED AT LOCATIONS SHOWN ON THE APPROVED SWPPP.

CITY OF O'FALLON
ENGINEERING DEPARTMENT
O'FALLON, MISSOURI

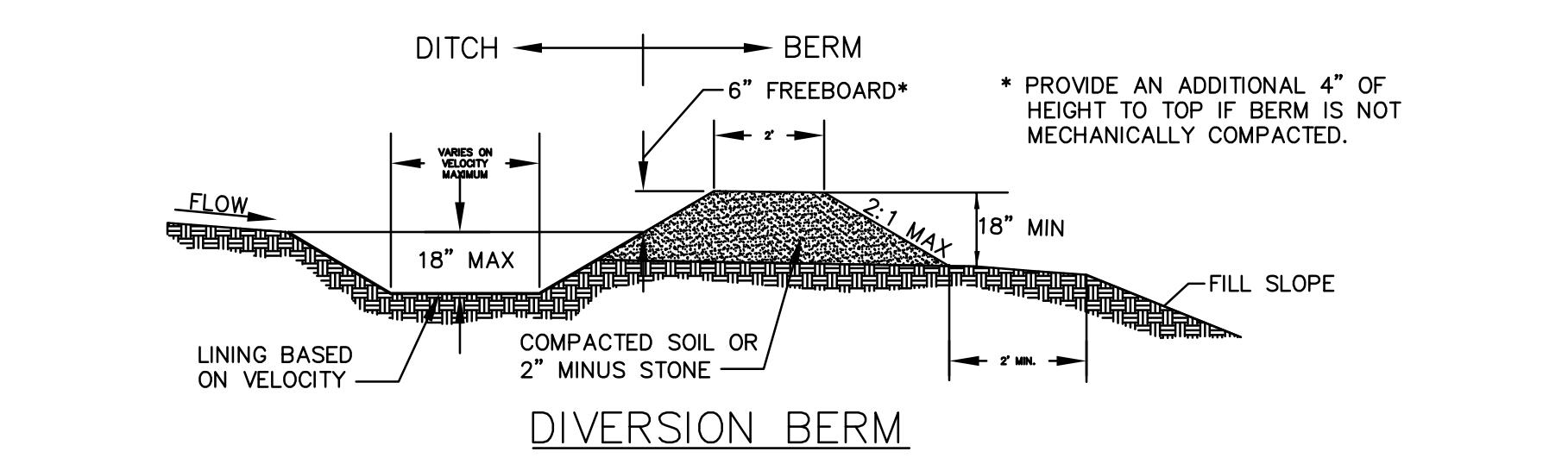
SILT FENCE INSTALLATION SHEET FLOW (ONLY)



- DESIGN CRITERIA**
- MAXIMUM DRAINAGE AREA - 1 ACRE.
 - PEAK RUNOFF SHALL BE ≤ 2 CFS BASED ON THE 6-MONTH STORM.
 - STACK GRAVEL BAGS DOUBLE HIGH. PROVIDE GAP FOR DRAINAGE.

CITY OF O'FALLON
ENGINEERING DEPARTMENT
O'FALLON, MISSOURI

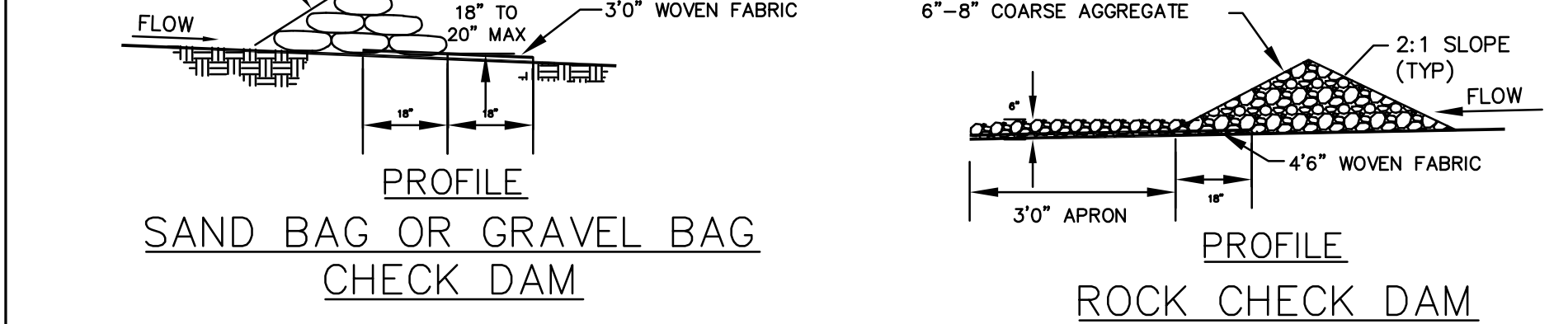
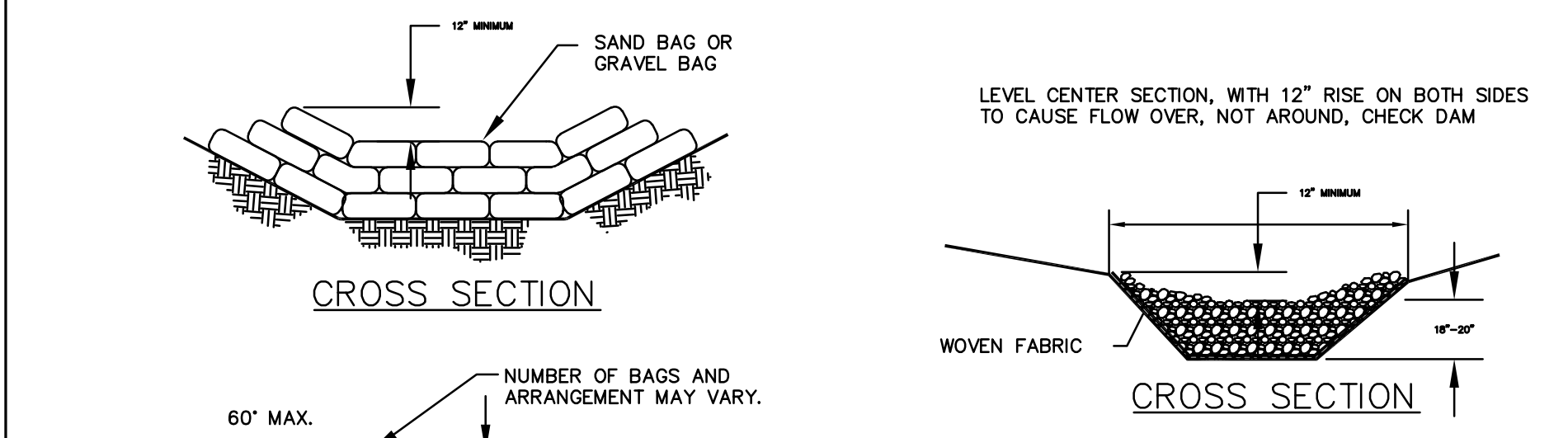
CURB INLET PROTECTION



- DESIGN CRITERIA**
- DIVERSIONS SHALL BE USED FOR DRAINAGE AREAS ≤ 3 ACRES.
 - DIVERSION CHANNELS SHALL BE DESIGNED TO CONVEY THE 6-MO STORM AT NON-EROSIVE VELOCITIES.
 - CRITICAL LOCATIONS SHALL BE DESIGNED FOR THE 15YR / 20MIN. STORM.
 - MAXIMUM CHANNEL SLOPE OF 3% WITHOUT CHECK DAMS.
 - SWALE SEDIMENT TRAPS ARE TO BE USED IN HIGHLY EROSION AREAS.
 - CHANNELS SHALL BE PROTECTED USING APPROPRIATE CHANNEL LINERS.
 - CHANNEL OUTLETS MUST BE STABILIZED.
 - STORM SEWERS MAY BE USED IN LIEU OF OPEN CHANNELS.

CITY OF O'FALLON
ENGINEERING DEPARTMENT
O'FALLON, MISSOURI

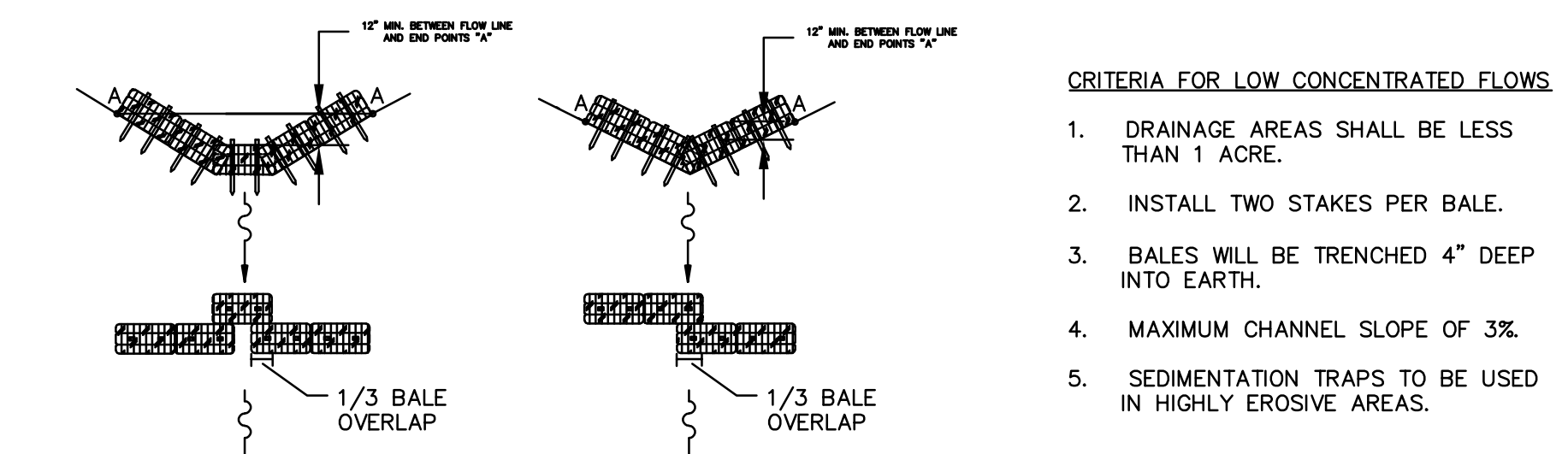
DIVERSION BERMS + DIKES



- NOTE:**
- CHECK DAMS MAY BE CONSTRUCTED OF SEVERAL ESC CHECK DAM PRODUCTS.
 - SEE TABLE 60-18 AND ESC 1 FOR CHECK DAM SPACING.

CITY OF O'FALLON
ENGINEERING DEPARTMENT
O'FALLON, MISSOURI

CHECK DAMS



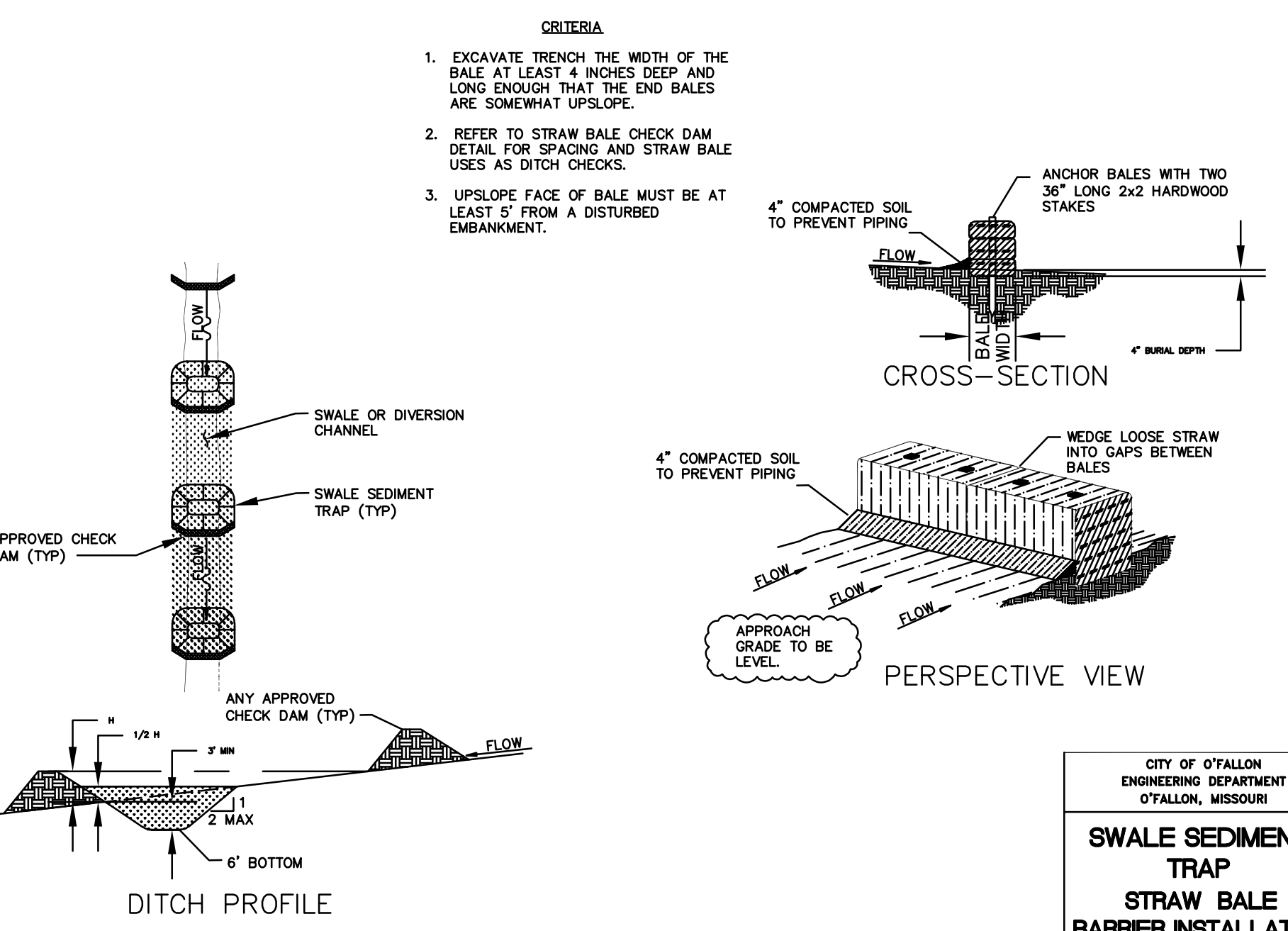
- CRITERIA FOR LOW CONCENTRATED FLOWS**
- DRAINAGE AREAS SHALL BE LESS THAN 1 ACRE.
 - INSTALL TWO STAKES PER BALE.
 - BALES WILL BE TRENCHED 4" DEEP INTO EARTH.
 - MAXIMUM CHANNEL SLOPE OF 3%.
 - SEDIMENTATION TRAPS TO BE USED IN HIGHLY EROSION AREAS.

CHECK DAM SPACING

Ditch Slope	Maximum Spacing
3%	50%
2%	75%

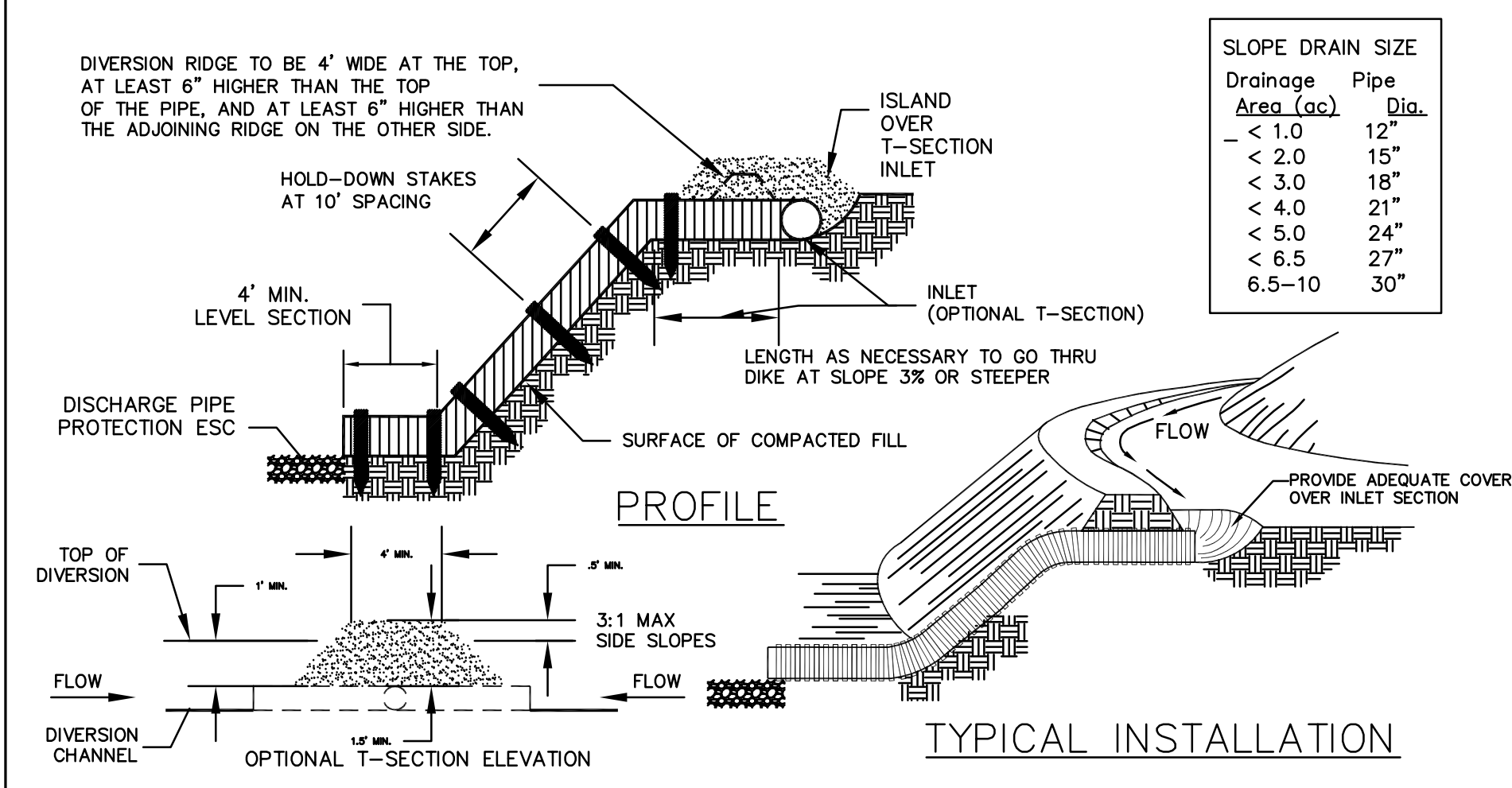
CITY OF O'FALLON
ENGINEERING DEPARTMENT
O'FALLON, MISSOURI

STRAW BALE CHECK DAM



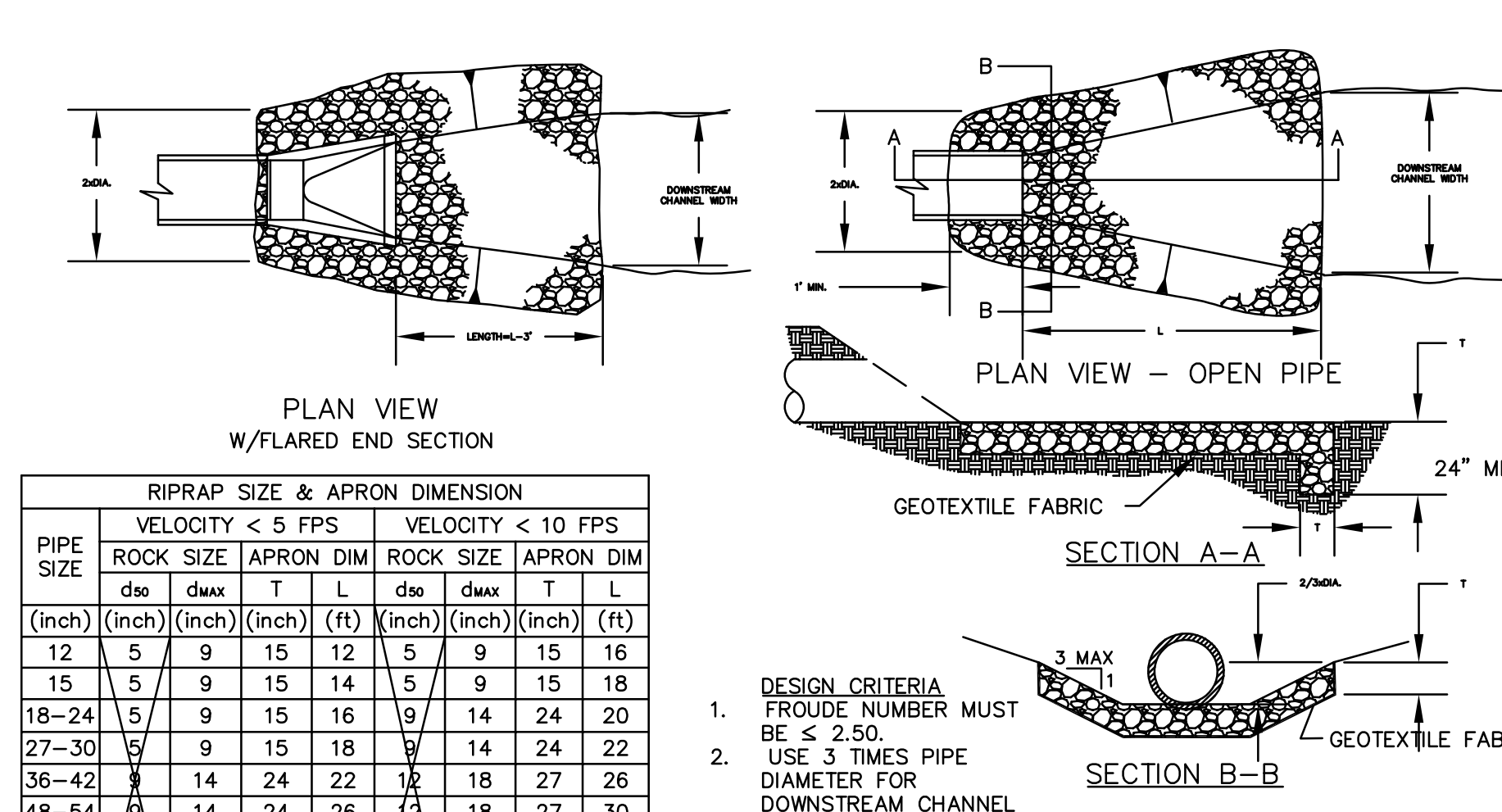
CITY OF O'FALLON
ENGINEERING DEPARTMENT
O'FALLON, MISSOURI

SWALE SEDIMENT TRAP STRAW BALE BARRIER INSTALLATION



CITY OF O'FALLON
ENGINEERING DEPARTMENT
O'FALLON, MISSOURI

TEMPORARY SLOPE DRAIN



PLAN VIEW W/ FLARED END SECTION

RIPRAP SIZE & APRON DIMENSION											
VELOCITY < 5 FPS						VELOCITY < 10 FPS					
PIPE SIZE	ROCK SIZE		APRON DIM		ROCK SIZE		APRON DIM		APRON DIM		
(inch)	d ₅₀	d _{max}	T	L	d ₅₀	d _{max}	T	L	T	L	
12	5	9	15	12	5	9	15	16			
15	5	9	15	14	5	9	15	18			
18-24	5	9	15	16	9	14	24	20			
27-30	9	15	18	18	14	24	22				
36-42	14	24	22	18	18	27	26				
48-54	14	24	26	18	18	27	30				
60-66	18	27	34	15	24	30	38				
72-84	15	24	30	42	15	24	30	46			
96	18	27	30	50	18	27	30	54			

CITY OF O'FALLON
ENGINEERING DEPARTMENT
O'FALLON, MISSOURI

TEMPORARY OUTLET PIPE DISCHARGE PROTECTION

- DESIGN CRITERIA**
- FROUDE NUMBER MUST BE ≤ 2.50.
 - USE 3 TIMES PIPE DIAMETER FOR DOWNSTREAM CHANNEL WIDTH IF THERE IS NO DEFINED CHANNEL.
 - BANK PROTECTION HEIGHT TO BE 2/3 TIMES PIPE DIAMETER.
 - ROCK SLOPES SHALL BE NO STEEPER THAN 3:1.

NO.	DESCRIPTION	DATE
1	REV 1	7-24-2019
2	REV 2	8-23-2019
3	REV 4	10-25-2019
4	REV 5	11-26-2019

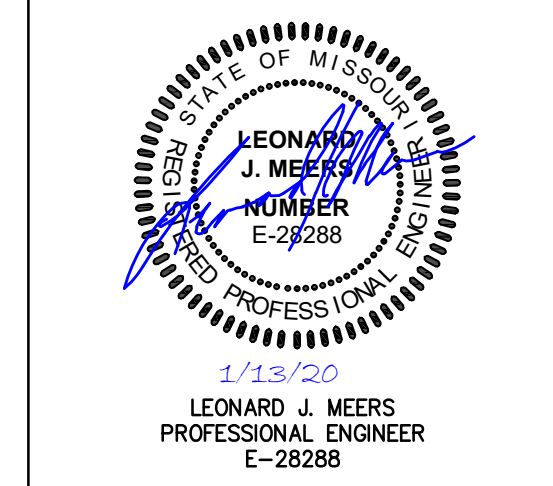
PROJECT TITLE

THE JEWEL
15 CASTLE LANE
O'FALLON, MO 63366

GRIMES CONSULTING, INC.
Civil Engineering & Surveying Services

12300 OLD TESSON ROAD
ST. LOUIS, MO 63128
PH. (314) 849-6100
FAX (314) 849-6010
www.grimesconsulting.com

LEONARD J. MEERS
PROFESSIONAL ENGINEER
E-28288



Developer / Owner Information

VITA Residential
CONTACT: Steve Sisson
3333 Aspen Grove Dr
Franklin, TN 37067
Email: steve@vitapmg.com

P+Z No. 19-001400
Approval Date: 6/6/2019

City No.

Page No.
C10.1