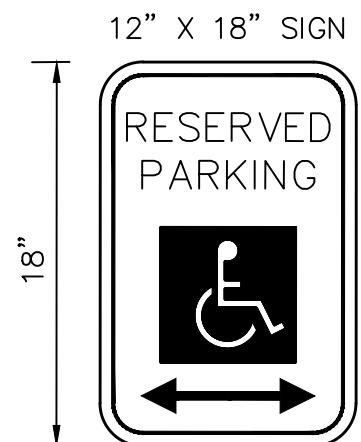
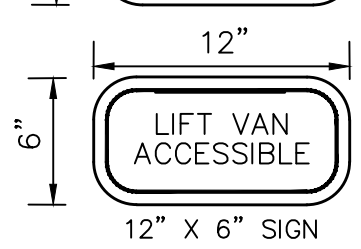


PAINTED HANDICAPPED PARKING SYMBOL
NOT TO SCALE

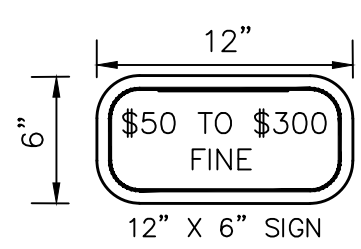


SIGN DESIGNATIONS ARE FROM THE CURRENT MANUAL ON UNIFORM TRAFFIC CONTROL DEVICES.

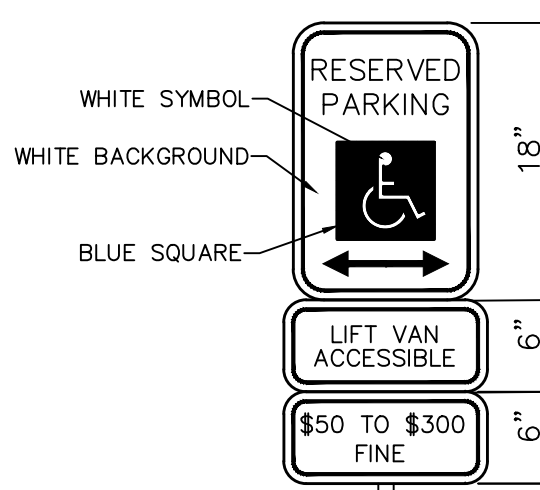
STANDARD SIGN FACE, STANDARD HIGHWAY DEPARTMENT, OR CITY STREET DEPARTMENT GAUGE, LETTERS AND BORDERS ARE GREEN, THE HANDICAP LOGO SQUARE IS BLUE AND THE BACKGROUND IS WHITE.



CONTRACTOR TO VERIFY ALL SIGNAGE WITH CITY PRIOR TO ORDERING ALL SIGNAGE.



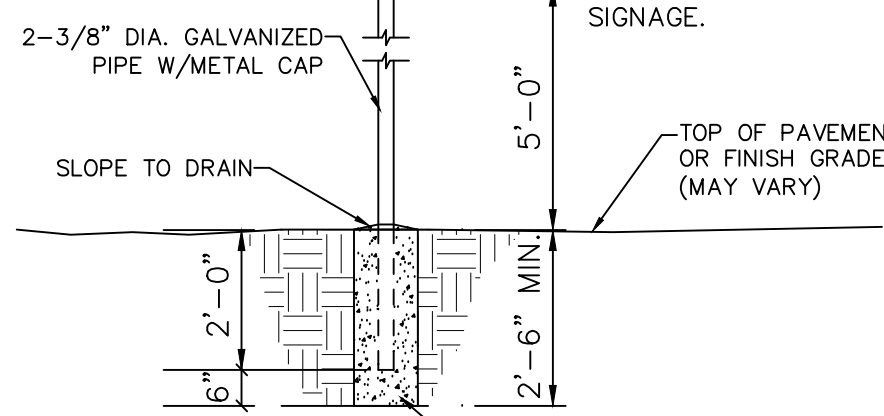
ACCESSIBLE PARKING SIGN
NOT TO SCALE



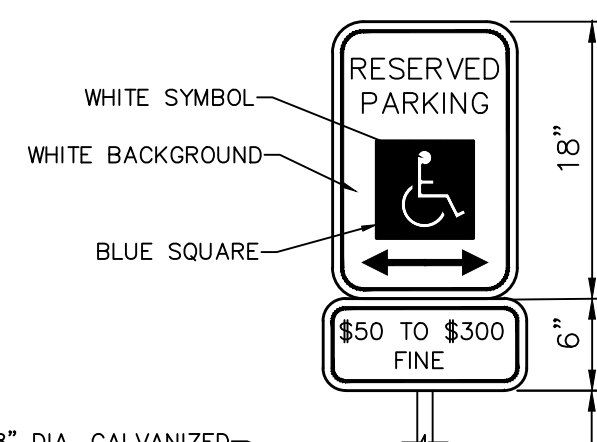
SIGN DESIGNATIONS ARE FROM THE CURRENT MANUAL ON UNIFORM TRAFFIC CONTROL DEVICES.

STANDARD SIGN FACE, STANDARD HIGHWAY DEPARTMENT, OR CITY STREET DEPARTMENT GAUGE, LETTERS AND BORDERS ARE GREEN, THE HANDICAP LOGO SQUARE IS BLUE AND THE BACKGROUND IS WHITE, GALVANIZED PIPE POST 9'-6" LONG, SET 2'-0" INTO GRADE, SET BOTTOM OF "FINE" SIGN 5'-0" ABOVE FINISHED GRADE.

CONTRACTOR TO VERIFY ALL SIGNAGE WITH CITY PRIOR TO ORDERING ALL SIGNAGE.



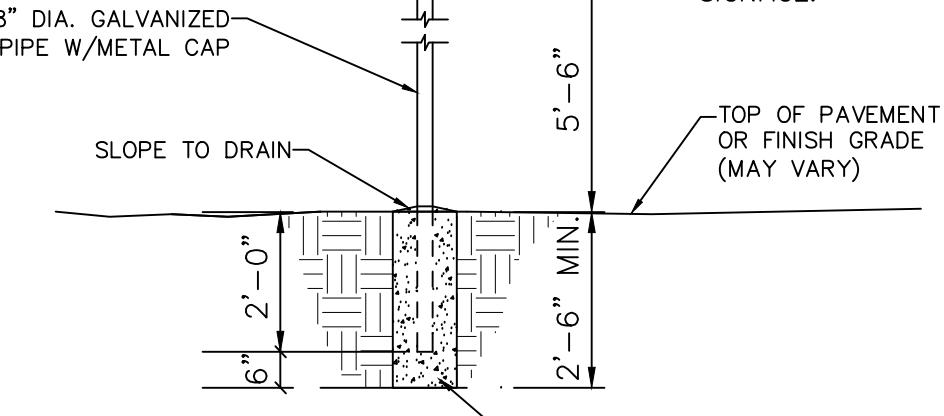
ACCESSIBLE PARKING SIGN
NOT TO SCALE



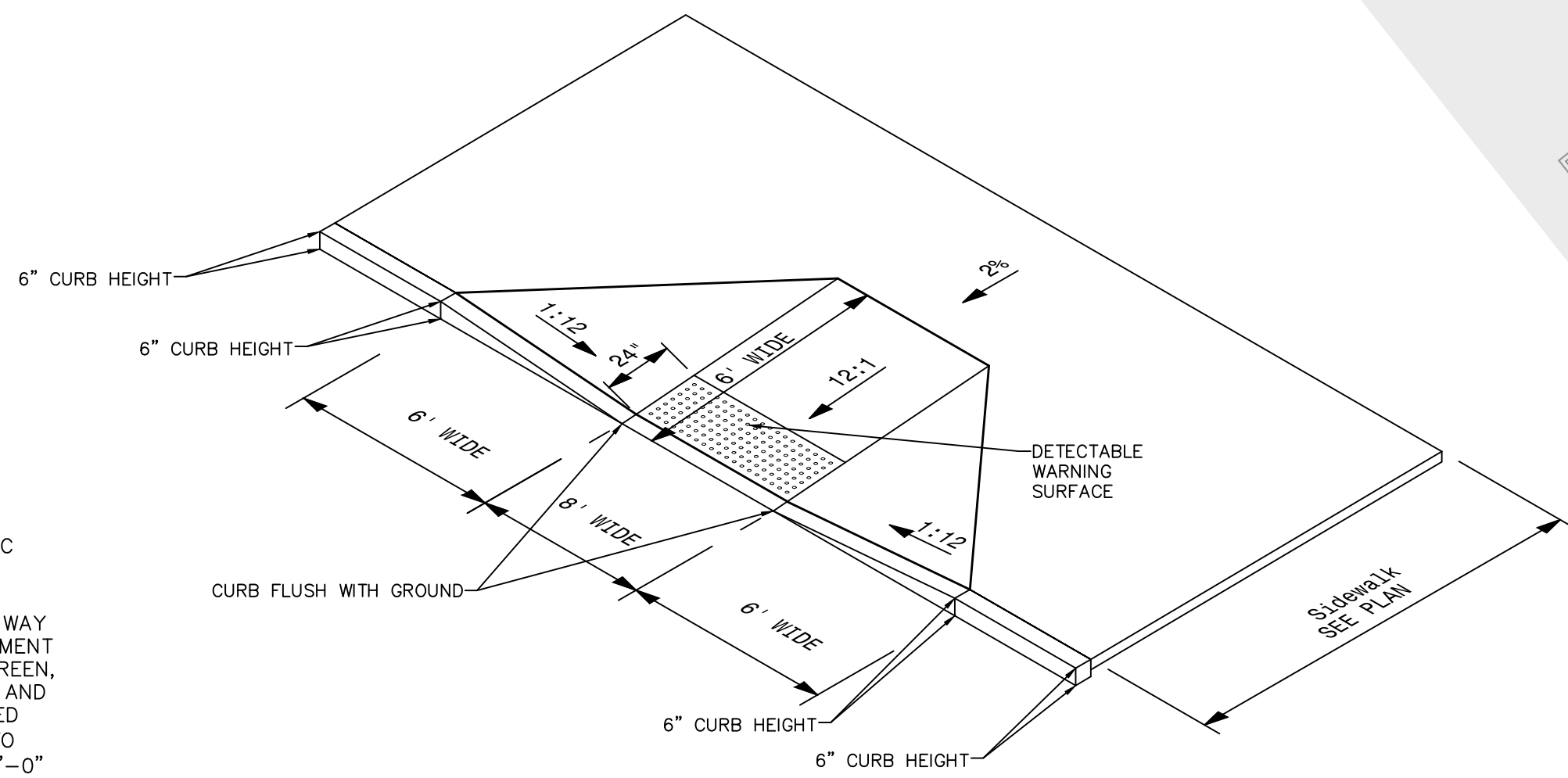
SIGN DESIGNATIONS ARE FROM THE CURRENT MANUAL ON UNIFORM TRAFFIC CONTROL DEVICES.

STANDARD SIGN FACE, STANDARD HIGHWAY DEPARTMENT, OR CITY STREET DEPARTMENT GAUGE, LETTERS AND BORDERS ARE GREEN, THE HANDICAP LOGO SQUARE IS BLUE AND THE BACKGROUND IS WHITE, GALVANIZED PIPE POST 9'-6" LONG, SET 2'-0" INTO GRADE, SET BOTTOM OF "FINE" SIGN 5'-6" ABOVE FINISHED GRADE.

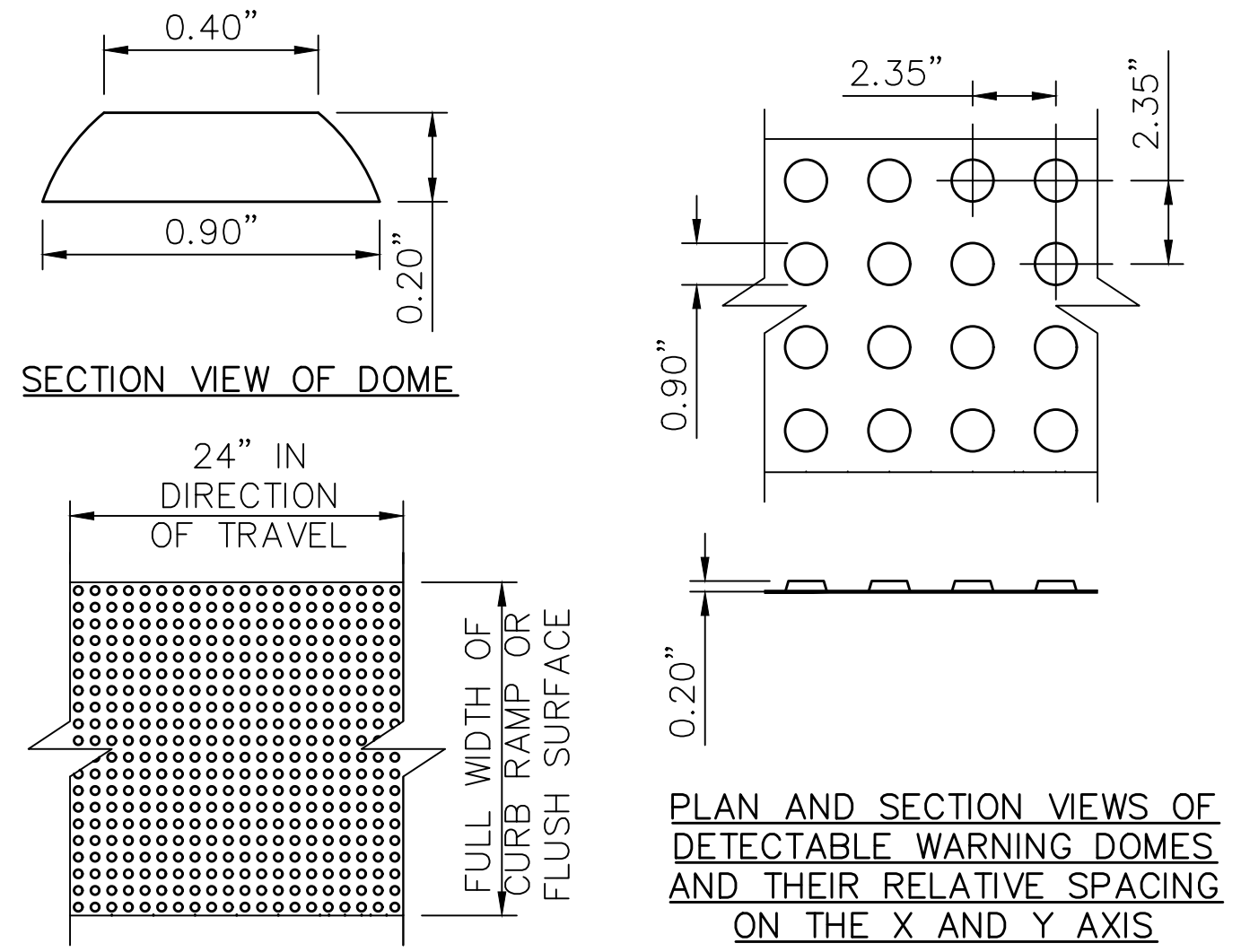
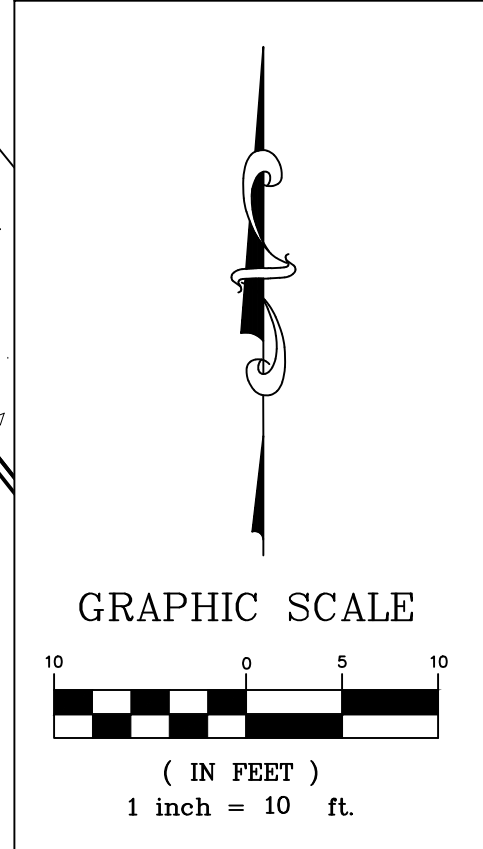
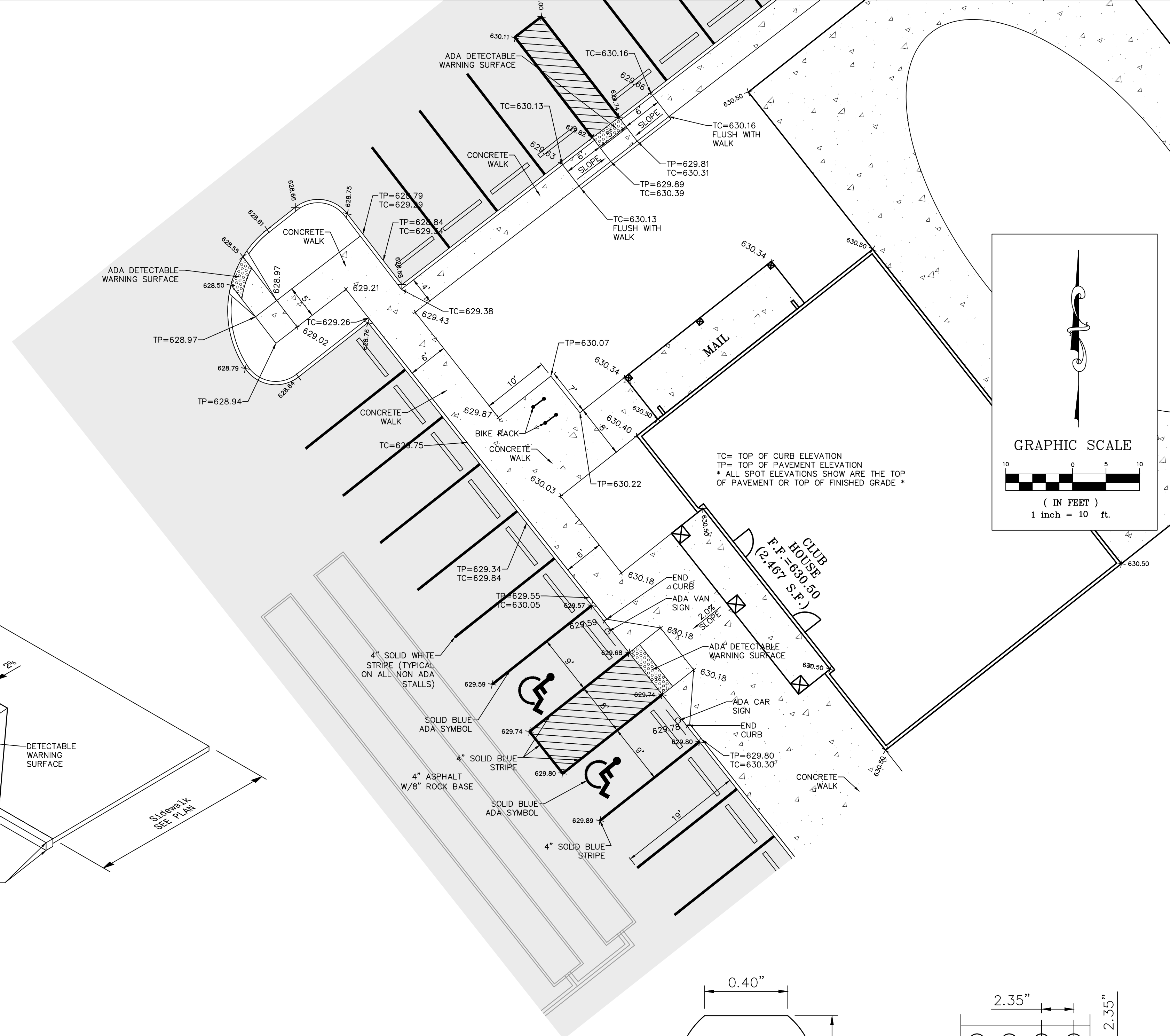
CONTRACTOR TO VERIFY ALL SIGNAGE WITH CITY PRIOR TO ORDERING ALL SIGNAGE.



ACCESSIBLE CAR PARKING SIGN
NOT TO SCALE



ADA RAMP AT PARKING LOT
NOT TO SCALE



PLAN VIEW OF A DETECTABLE WARNING SURFACE
SHOWING DOMES ALIGNED IN ROWS, NOT SKEWED DIAGONALLY.

TYPICAL DETAIL OF DETECTABLE WARNING SURFACE
NOT TO SCALE

PROJECT TITLE:
THORNWOOD APARTMENTS
THORNBURY CROSSING DRIVE
OFALLON, MO 63366

ENGINEERING
PLANNING
SURVEYING
221 Point West Blvd.
St. Charles, MO 63301
636-928-5552
FAX 636-928-1718



DISCLAIMER OF RESPONSIBILITY
I hereby certify that the documents intended to be authenticated by my seal are limited to this sheet, and I hereby disclaim any responsibility for all other Drawings, Specifications, Estimates, Reports or other documents or instruments relating to or intended to be used for any part or parts of the architectural or engineering project or survey.



REVISIONS

07-25-24	CITY COMMENTS
08-15-24	CITY COMMENTS

Bax Engineering Company, Inc.
Missouri State Certificate of Authority
Engineering #000655
Missouri State Certificate of Authority
Surveying #000144

Developer / Owner:
MRS TROMBONE LLC
100 WOODCHASE LANE
CHESTERFIELD, MO 6307
314-469-0029

ADA DETAILS

P+Z No. 23-010426
Approval Date: 1-4-24
City No. #

Page No.
15 of 34