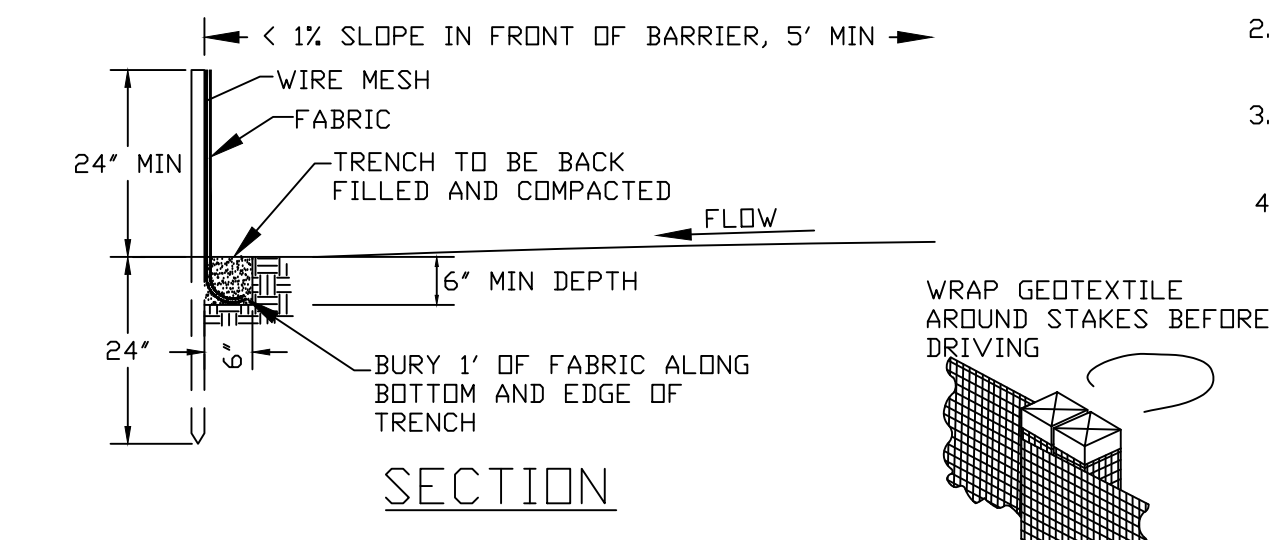
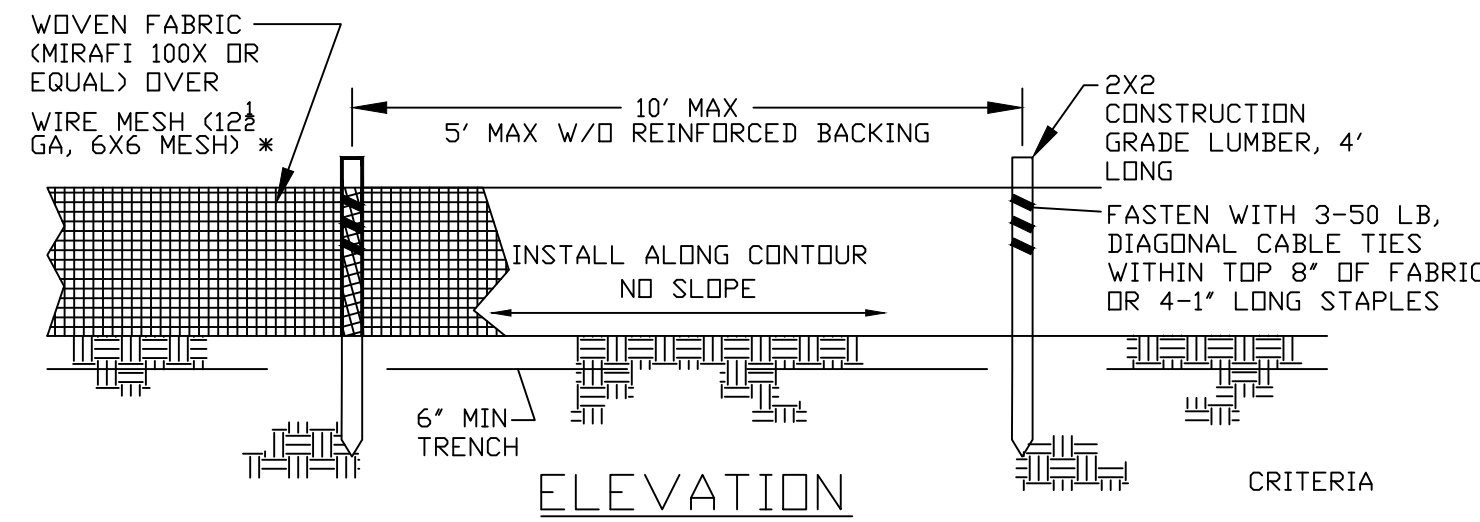


- DESIGN CRITERIA**
1. SILT FENCE FOR SHEET FLOW SHALL HAVE A MAXIMUM DRAINAGE AREA OF 1/4 ACRE PER 100 LF.
 2. STRAW BALE BARRIERS FOR SHEET FLOW SHALL HAVE A MAXIMUM DRAINAGE AREA OF 1/4 ACRE PER 100 LF.
 3. REFER TO INDIVIDUAL ESC FIGURE FOR INSTALLATION.
 4. TERRACING INCLUDES LOGS, WATTLES & FILTER SOCKS.

CITY OF O'FALLON
ENGINEERING DEPARTMENT
O'FALLON, MISSOURI

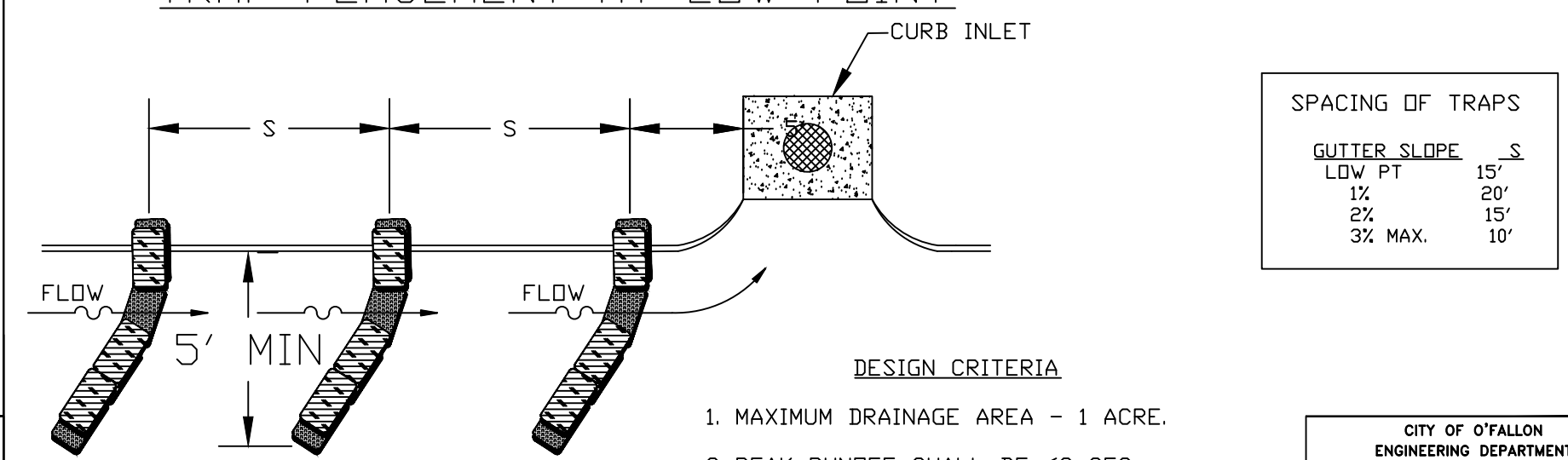
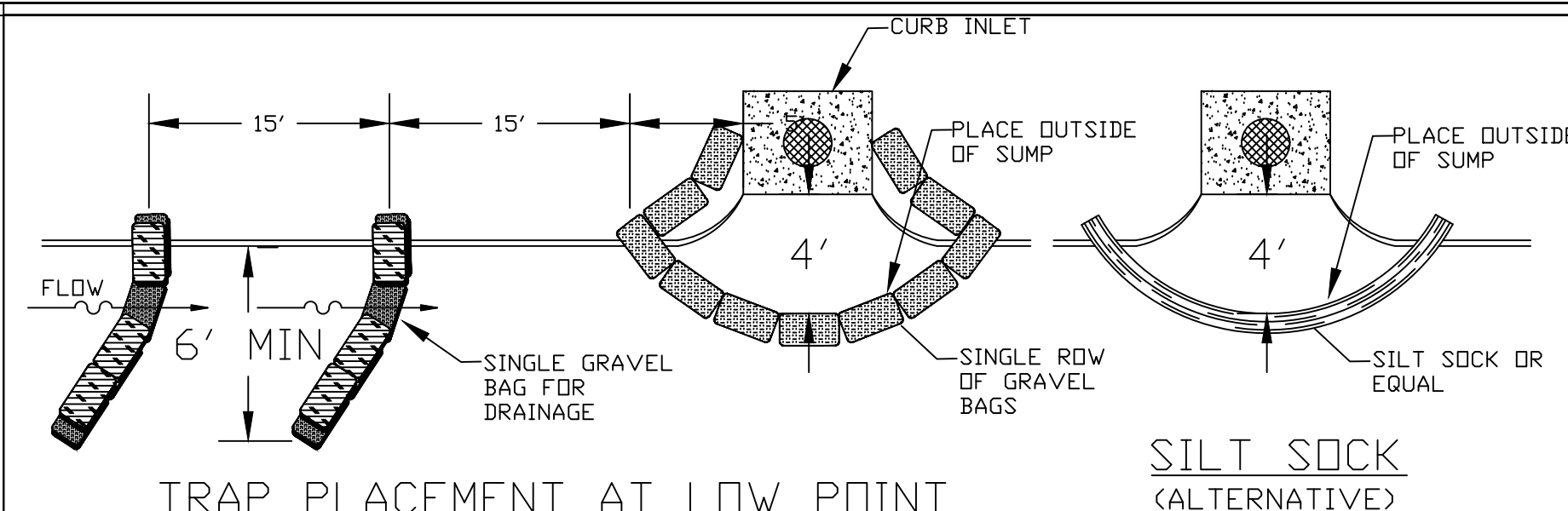
**SPACING CHART
FOR ESC DEVICES**



- CRITERIA**
1. SILT FENCE SHALL BE 24 INCHES HIGH.
 2. SILT FENCE SHALL NOT BE USED FOR CONCENTRATED FLOWS.
 3. GEOSYNTHETIC REINFORCED SILT FENCE BACKING MAY BE USED IN LIEU OF WIRE MESH.
 4. WIRE MESH WILL BE USED AT LOCATIONS SHOWN ON THE APPROVED SWPPP.

CITY OF O'FALLON
ENGINEERING DEPARTMENT
O'FALLON, MISSOURI

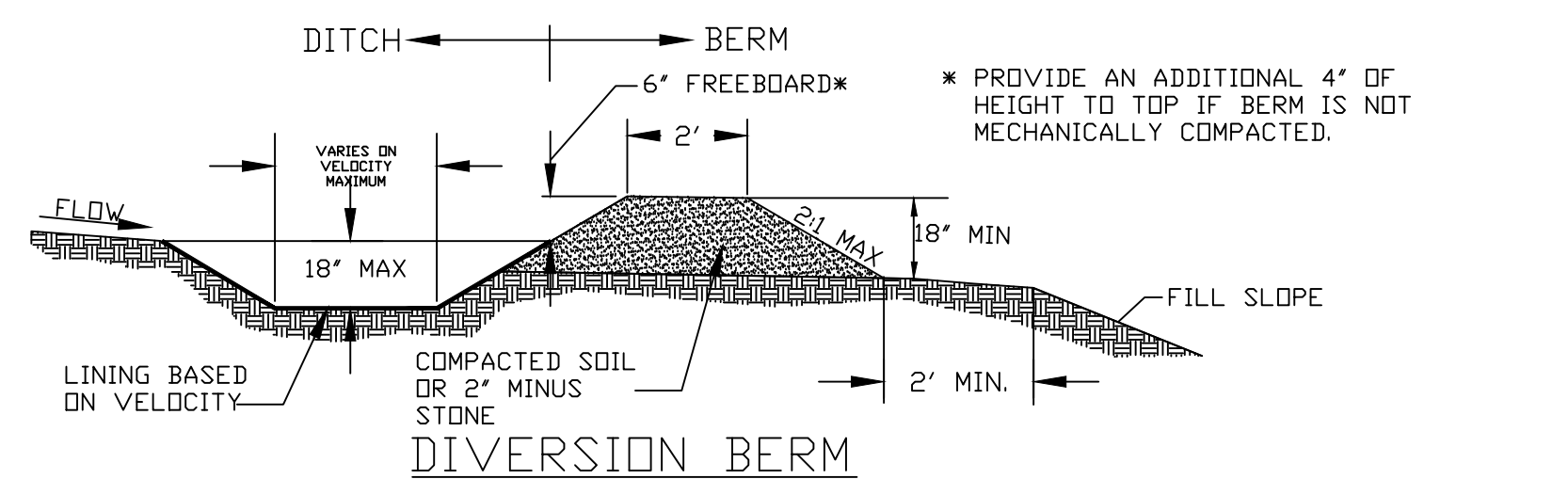
**SILT FENCE INSTALLATION
SHEET FLOW (ONLY)**



- DESIGN CRITERIA**
1. MAXIMUM DRAINAGE AREA - 1 ACRE.
 2. PEAK RUNOFF SHALL BE ≤ 2 CFS BASED ON THE 6-MONTH STORM.
 3. STACK GRAVEL BAGS DOUBLE HIGH. PROVIDE GAP FOR DRAINAGE.

CITY OF O'FALLON
ENGINEERING DEPARTMENT
O'FALLON, MISSOURI

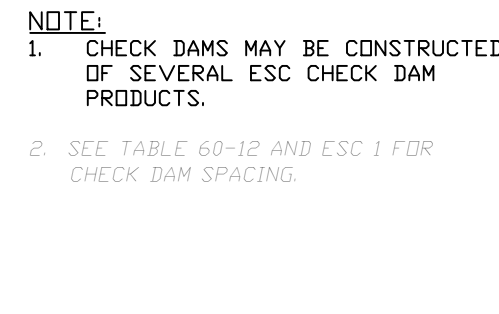
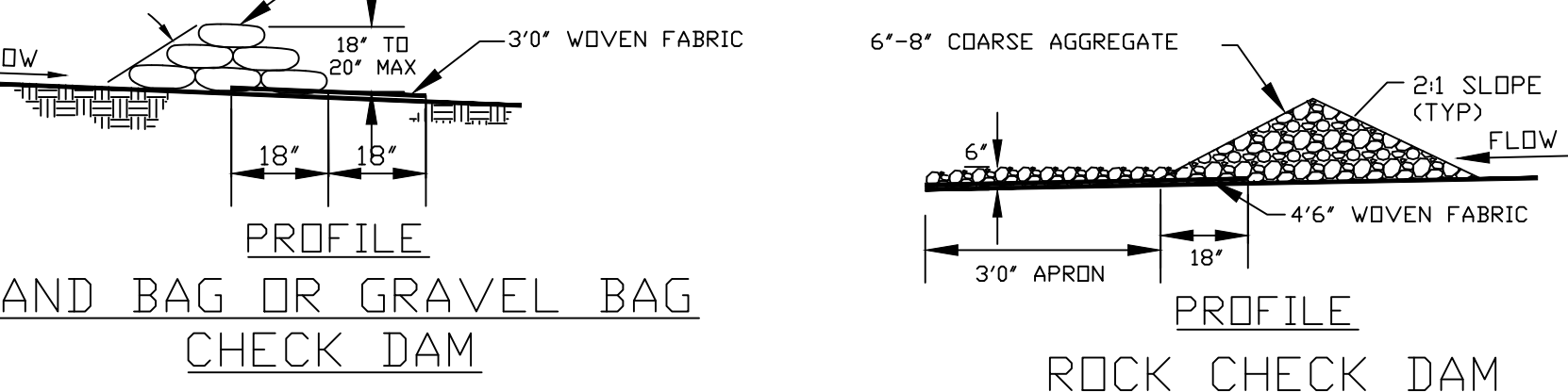
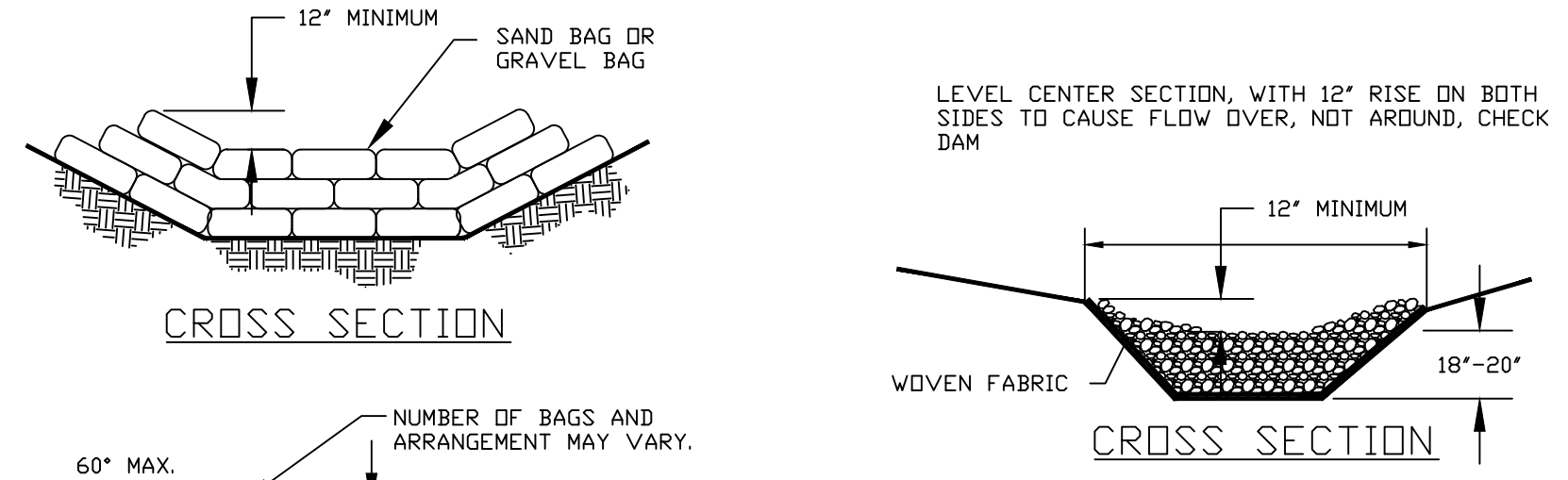
**CURB INLET
PROTECTION**



- DESIGN CRITERIA**
1. DIVERSIONS SHALL BE USED FOR DRAINAGE AREAS ≤ 3 ACRES.
 2. DIVERSION CHANNELS SHALL BE DESIGNED TO CONVEY THE 6-MO STORM AT NON-EROSIVE VELOCITIES.
 3. CRITICAL LOCATIONS SHALL BE DESIGNED FOR THE 15YR / 20MIN. STORM.
 4. MAXIMUM CHANNEL SLOPE OF 3% WITHOUT CHECK DAMS.
 5. SWALE SEDIMENT TRAPS ARE TO BE USED IN HIGHLY ERODITIVE AREAS.
 6. CHANNELS SHALL BE PROTECTED USING APPROPRIATE CHANNEL LINERS.
 7. CHANNEL OUTLETS MUST BE STABILIZED.
 8. STORM SEWERS MAY BE USED IN LIEU OF OPEN CHANNELS.

CITY OF O'FALLON
ENGINEERING DEPARTMENT
O'FALLON, MISSOURI

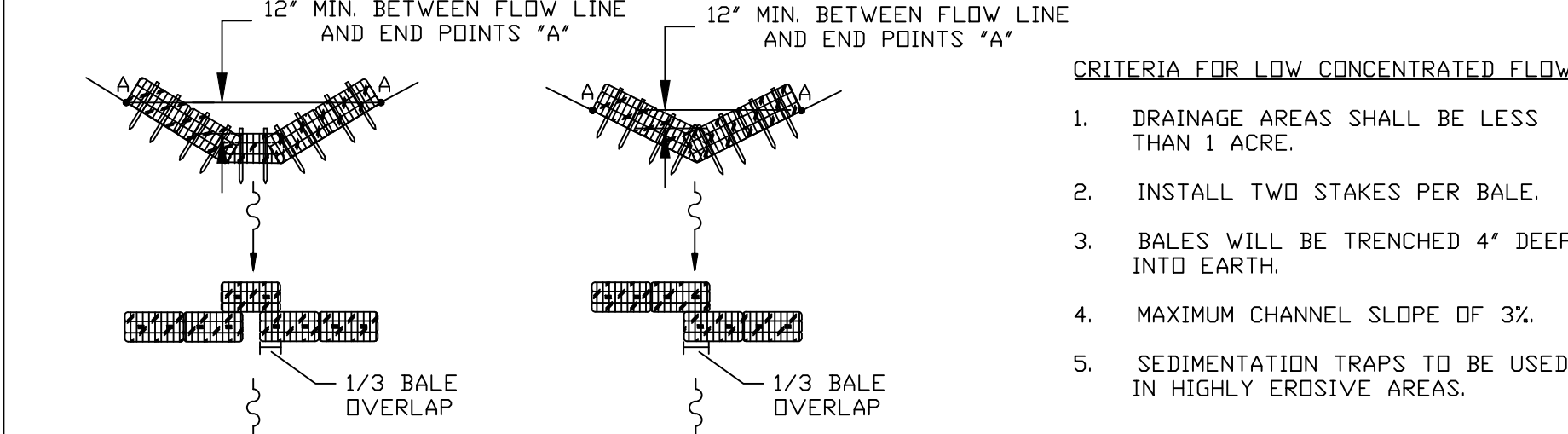
**DIVERSION BERMS
+ DIKES**



- NOTE:**
1. CHECK DAMS MAY BE CONSTRUCTED OF SEVERAL ESC CHECK DAM PRODUCTS.
 2. SEE TABLE 60-12 AND ESC 1 FOR CHECK DAM SPACING.

CITY OF O'FALLON
ENGINEERING DEPARTMENT
O'FALLON, MISSOURI

CHECK DAMS



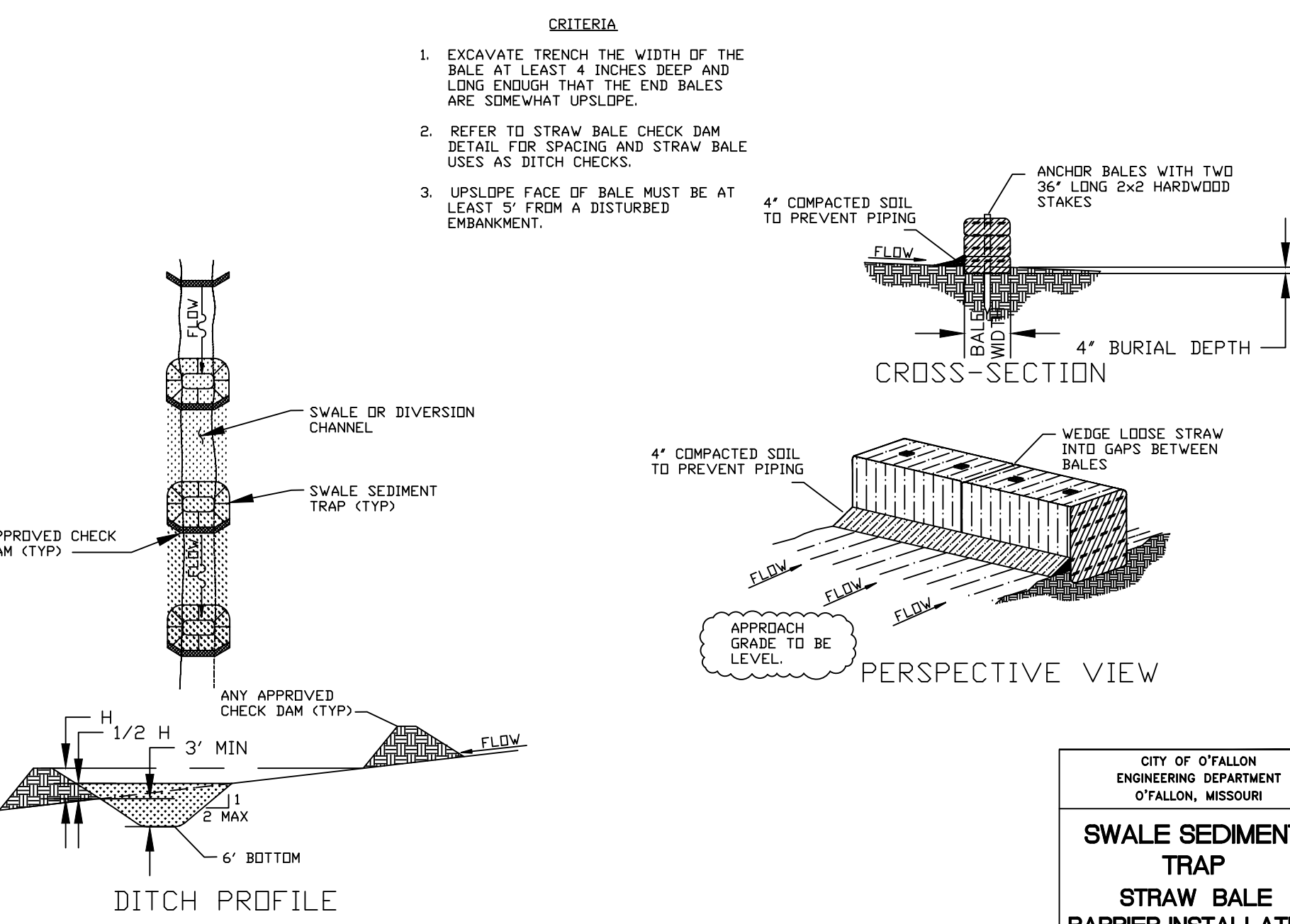
- CRITERIA FOR LOW CONCENTRATED FLOWS**
1. DRAINAGE AREAS SHALL BE LESS THAN 1 ACRE.
 2. INSTALL TWO STAKES PER BALE.
 3. BALES WILL BE TRENCHED 4" DEEP INTO EARTH.
 4. MAXIMUM CHANNEL SLOPE OF 3%.
 5. SEDIMENTATION TRAPS TO BE USED IN HIGHLY ERODITIVE AREAS.

CHECK DAM SPACING

Ditch Slope	Maximum Spacing
3%	50'
2%	75'

CITY OF O'FALLON
ENGINEERING DEPARTMENT
O'FALLON, MISSOURI

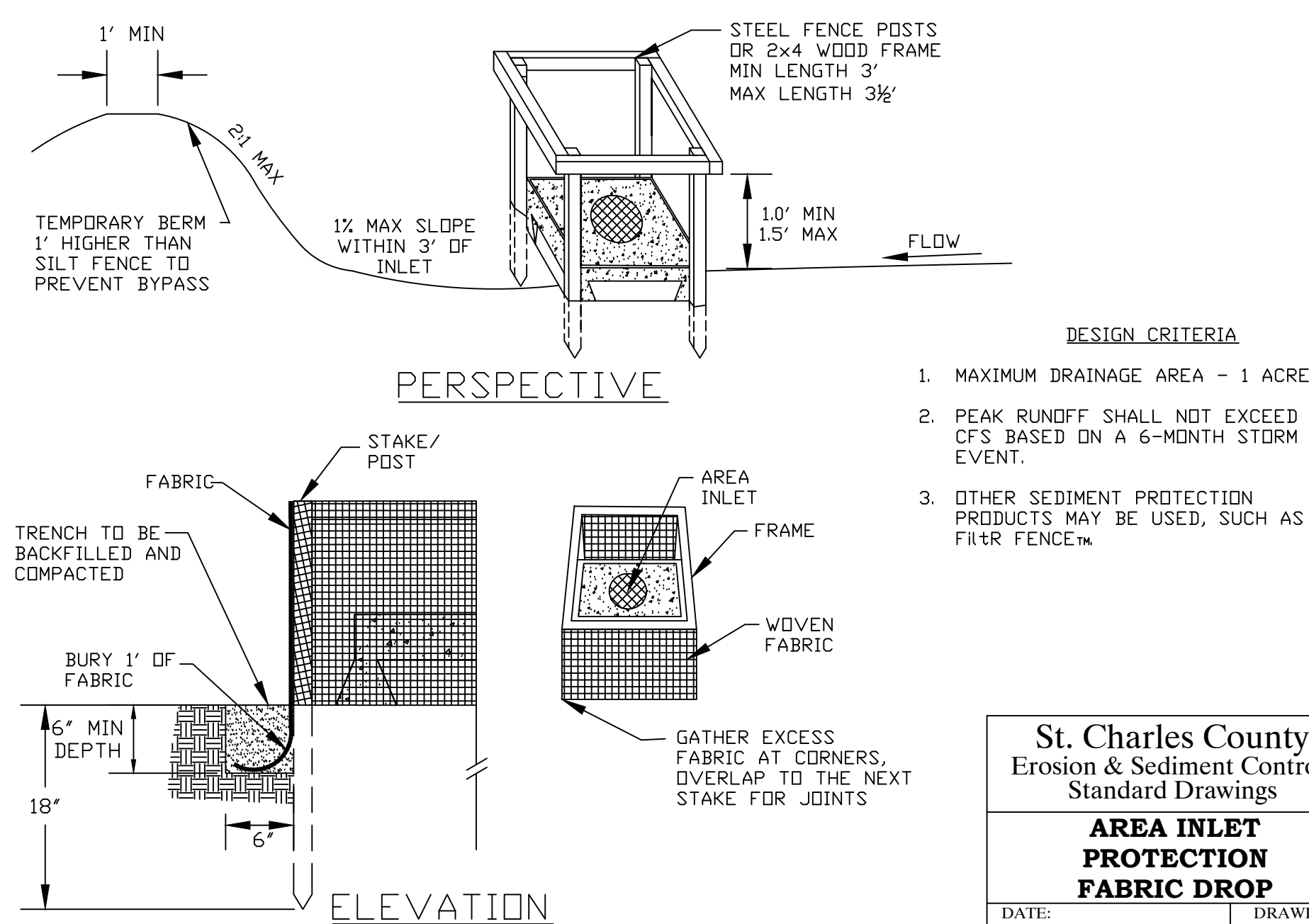
**STRAW BALE
CHECK DAM**



- CRITERIA**
1. EXCAVATE TRENCH THE WIDTH OF THE BALE AT LEAST 4 INCHES DEEP AND LONG ENOUGH THAT THE END BALES ARE SOMEWHAT UPSLOPE.
 2. REFER TO STRAW BALE CHECK DAM DETAIL FOR SPACING AND STRAW BALES USE AS DITCH CHECKS.
 3. UPSLOPE FACE OF BALE MUST BE AT LEAST 5' FROM A DISTURBED EMBANKMENT.

CITY OF O'FALLON
ENGINEERING DEPARTMENT
O'FALLON, MISSOURI

**SWALE SEDIMENT
TRAP
STRAW BALE
BARRIER INSTALLATION**

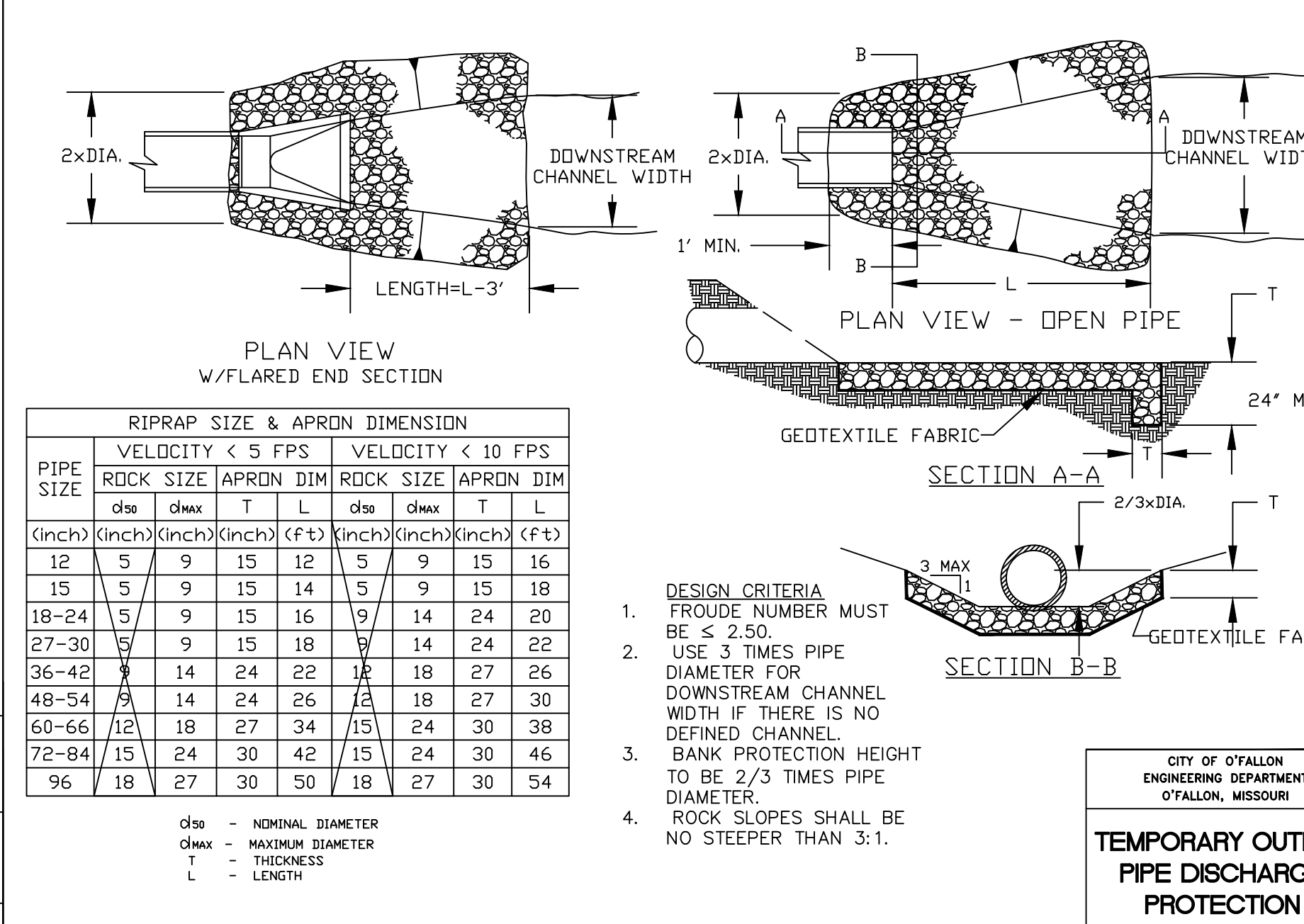


- DESIGN CRITERIA**
1. MAXIMUM DRAINAGE AREA - 1 ACRE.
 2. PEAK RUNOFF SHALL NOT EXCEED 2 CFS BASED ON A 6-MONTH STORM EVENT.
 3. OTHER SEDIMENT PROTECTION PRODUCTS MAY BE USED, SUCH AS FILTER FENCE™.

St. Charles County
Erosion & Sediment Controls
Standard Drawings

**AREA INLET
PROTECTION
FABRIC DROP**

DATE: MARCH 2008 DRAWING: ESC-14



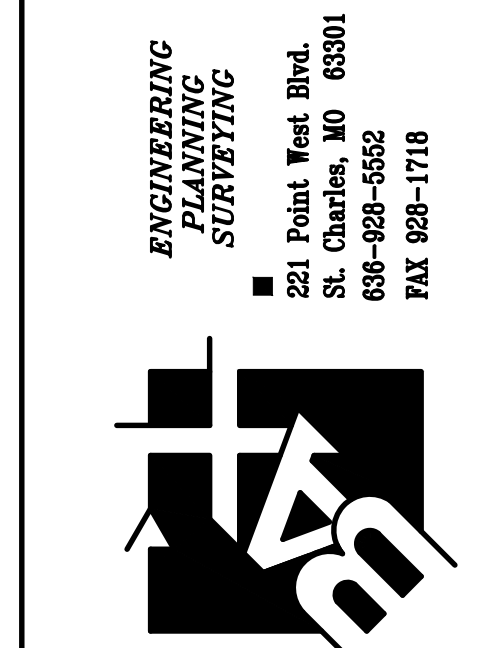
- DESIGN CRITERIA**
1. FROUDE NUMBER MUST BE ≤ 2.50.
 2. USE 3 TIMES PIPE DIAMETER FOR DOWNSTREAM CHANNEL WIDTH IF THERE IS NO DEFINED CHANNEL.
 3. BANK PROTECTION HEIGHT TO BE 2/3 TIMES PIPE DIAMETER.
 4. ROCK SLOPES SHALL BE NO STEEPER THAN 3:1.

CITY OF O'FALLON
ENGINEERING DEPARTMENT
O'FALLON, MISSOURI

**TEMPORARY OUTLET
PIPE DISCHARGE
PROTECTION**

CITY PROVIDED DETAILS, USE AS REQUIRED FOR PROJECT

PROJECT TITLE:
THORNWOOD APARTMENTS
THORNBUARY CROSSING DRIVE
O'FALLON, MO 63366



Box Engineering Company, Inc.
Missouri State Certificate of Authority
Engineering #000655
Missouri State Certificate of Authority
Surveying #000144

REFERENCE DETAIL SHEET ONLY

REVISIONS

NO.	DATE	DESCRIPTION

Box Engineering Company, Inc.
Missouri State Certificate of Authority
Engineering #000655
Missouri State Certificate of Authority
Surveying #000144

Developer / Owner:
MRS TROMBONE LLC
100 WOODCHASE LANE
CHESTERFIELD, MO 6307
314-469-0029

P+Z No. 23-010426
Approval Date: 1-4-24
City No. #

Page No.
25 of 34

EROSION CONTROL DETAILS

Box Project # 23-18014 Issue Date: 5-10-24