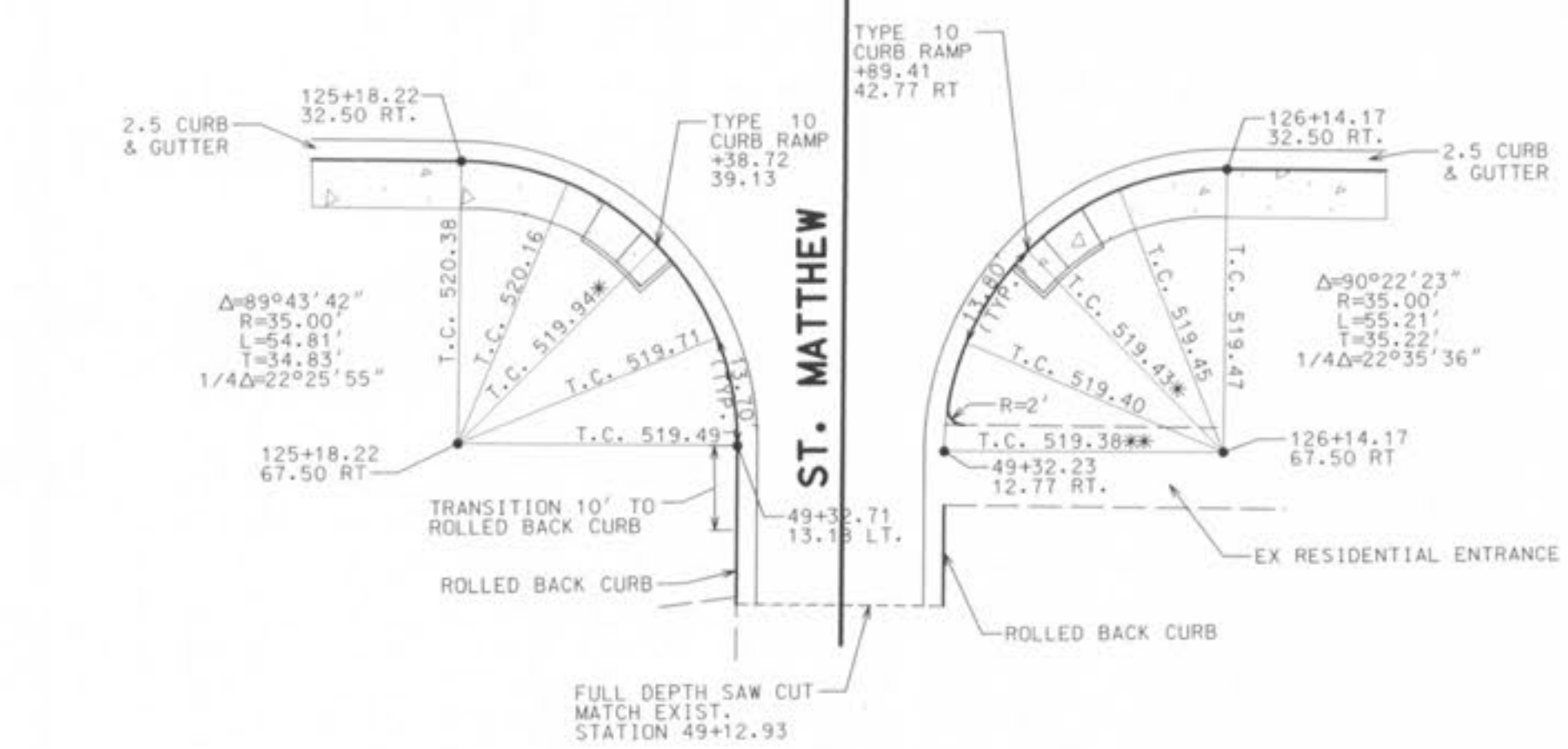
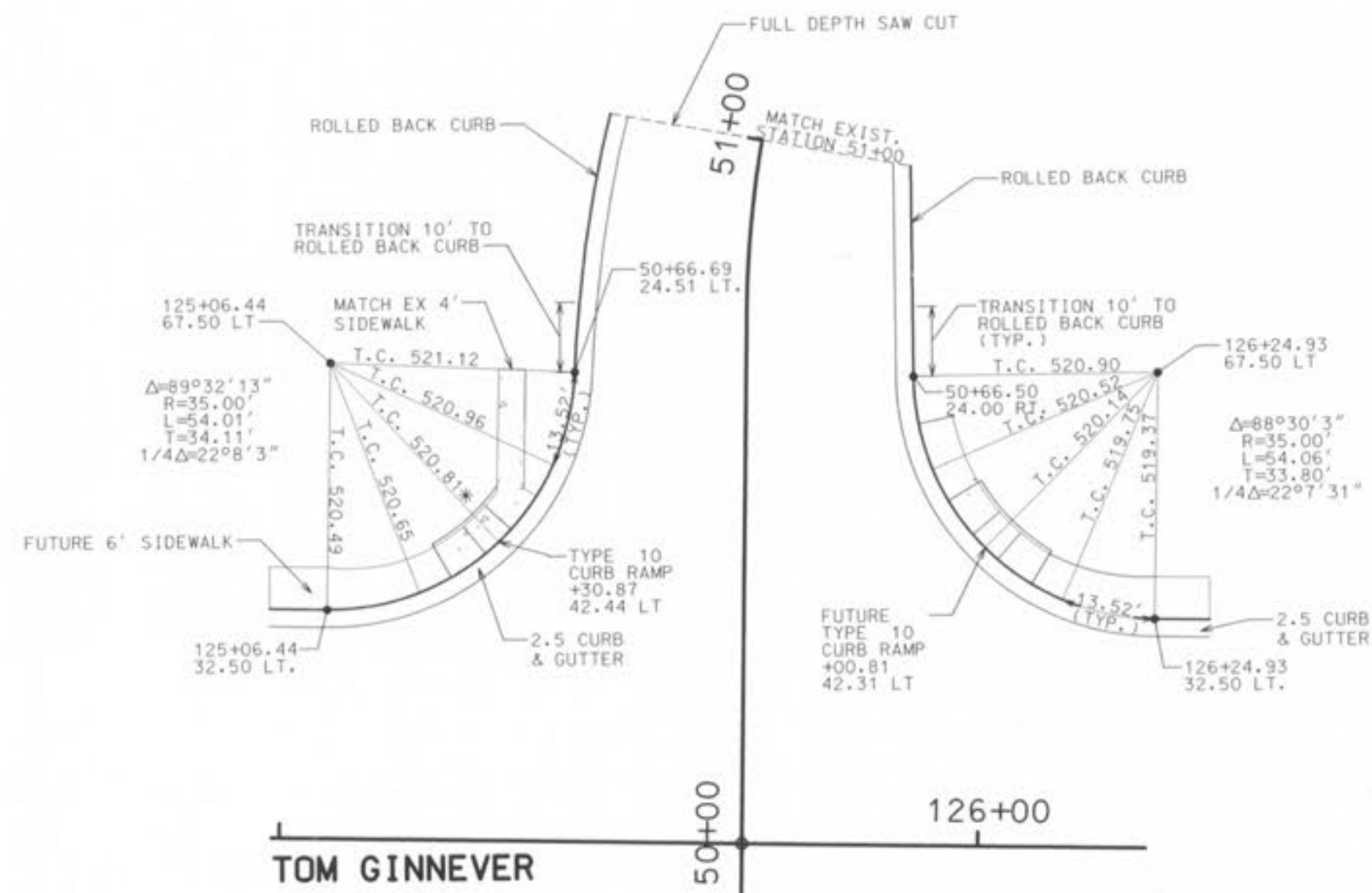


ALL ELEVATIONS AND DIMENSIONS ARE TO TOP BACK OF CURB UNLESS OTHERWISE NOTED.

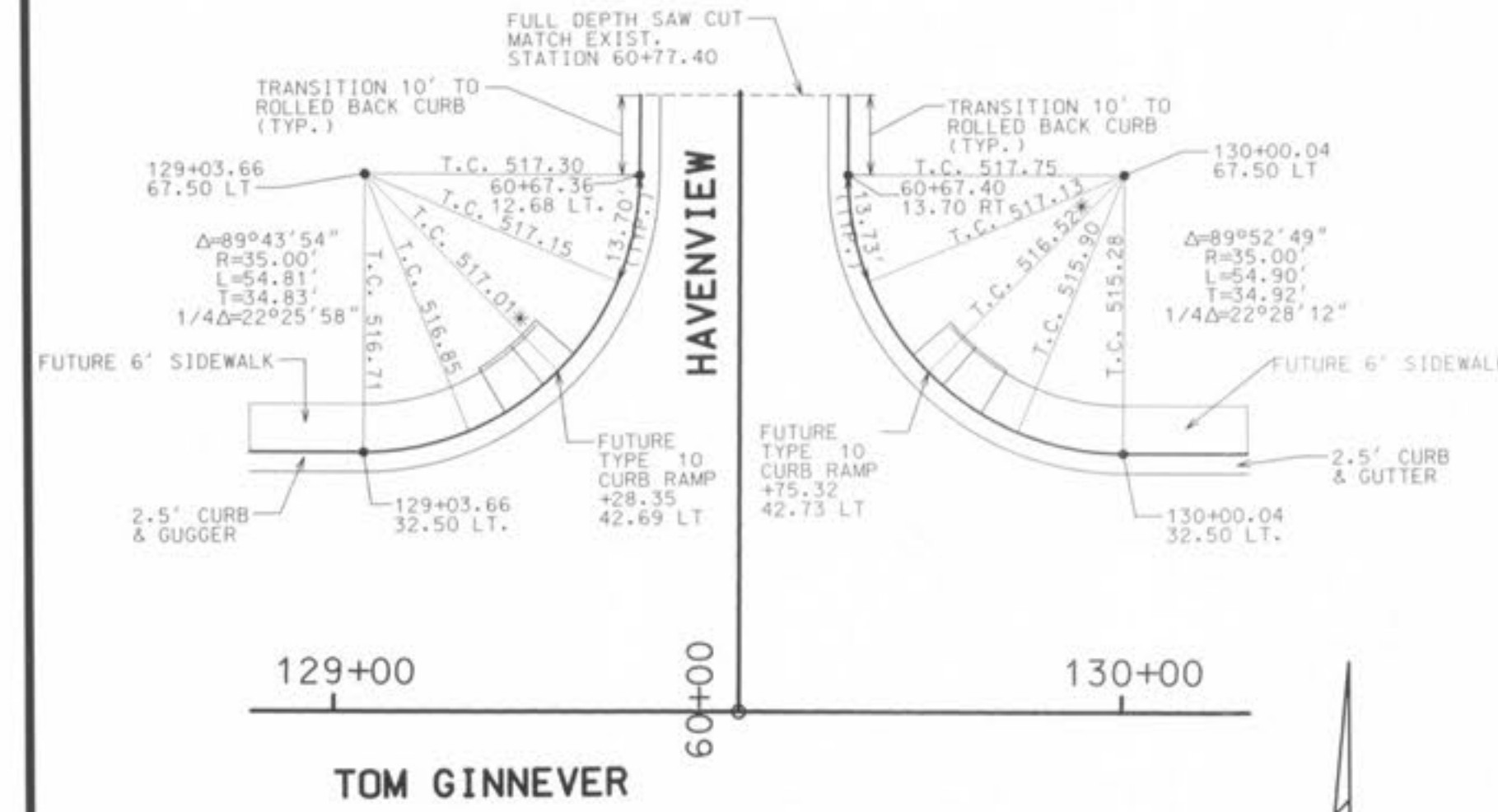
GBA GEORGE BUTLER ASSOCIATES, INC.
Engineers • Architects

DATE:	JULY 2007
DESIGN BY:	DTS
DRAWN BY:	CDF
PROJECT NO.:	10718
SHEET NO.	TOTAL SHEETS
47	86

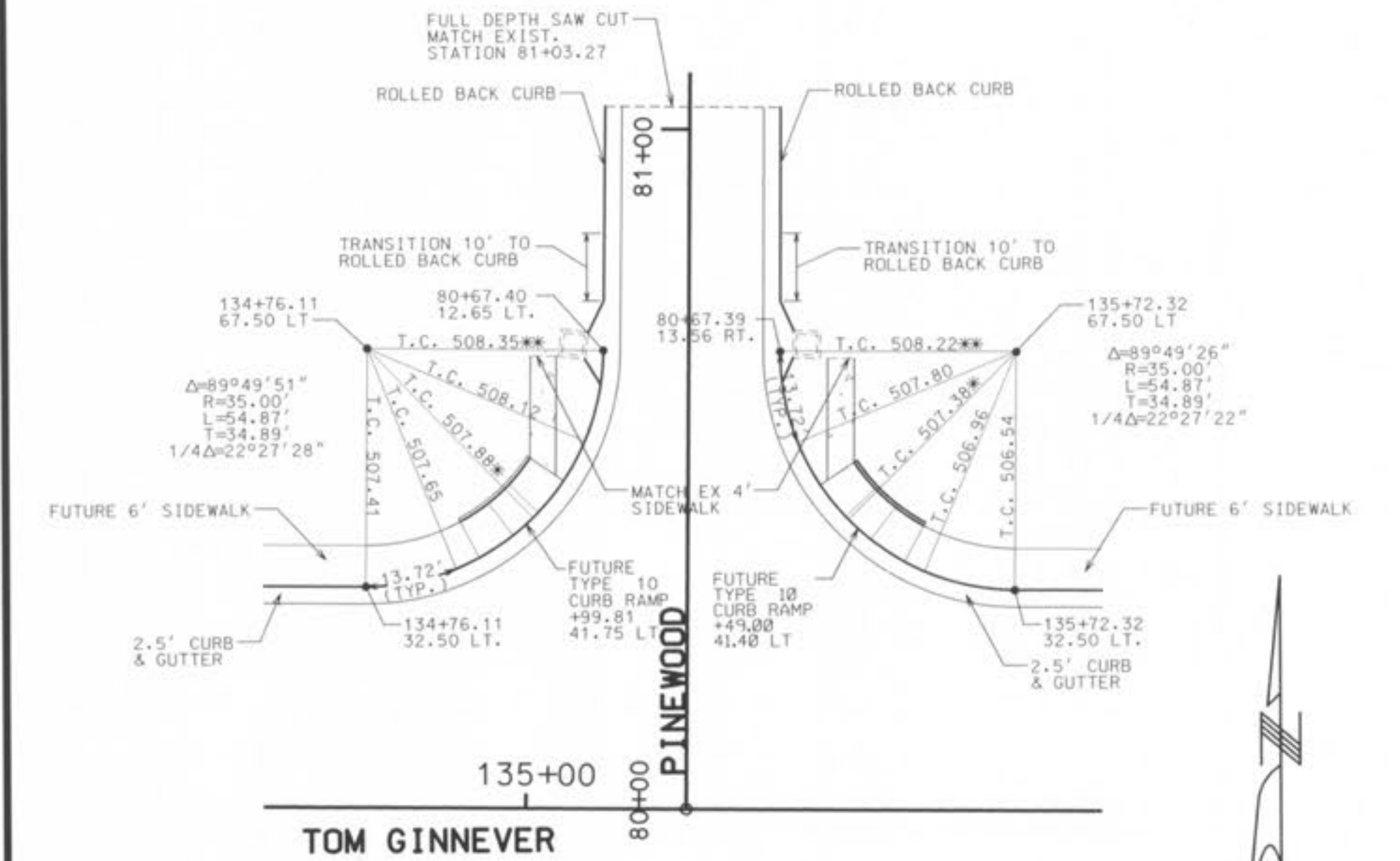
**TOM GINNEVER ROAD IMPROVEMENTS
PHASE I**
O'FALLON, MISSOURI



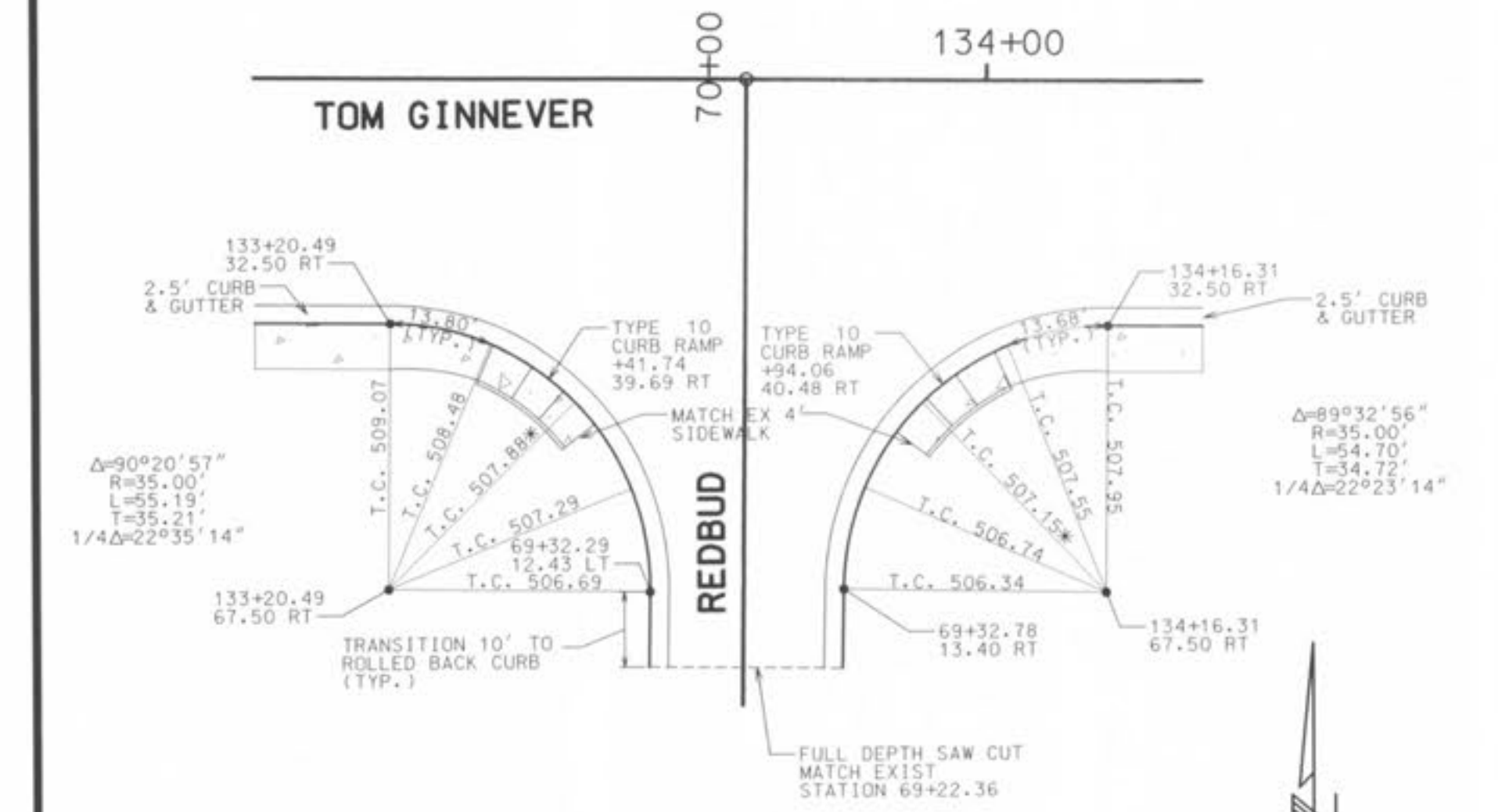
* ELEVATION REPRESENTS TOP OF CURB IF EXTENDED THROUGH ADA RAMP
** ELEVATION REPRESENTS TOP OF CURB IF EXTENDED RESIDENTIAL ENTRANCE



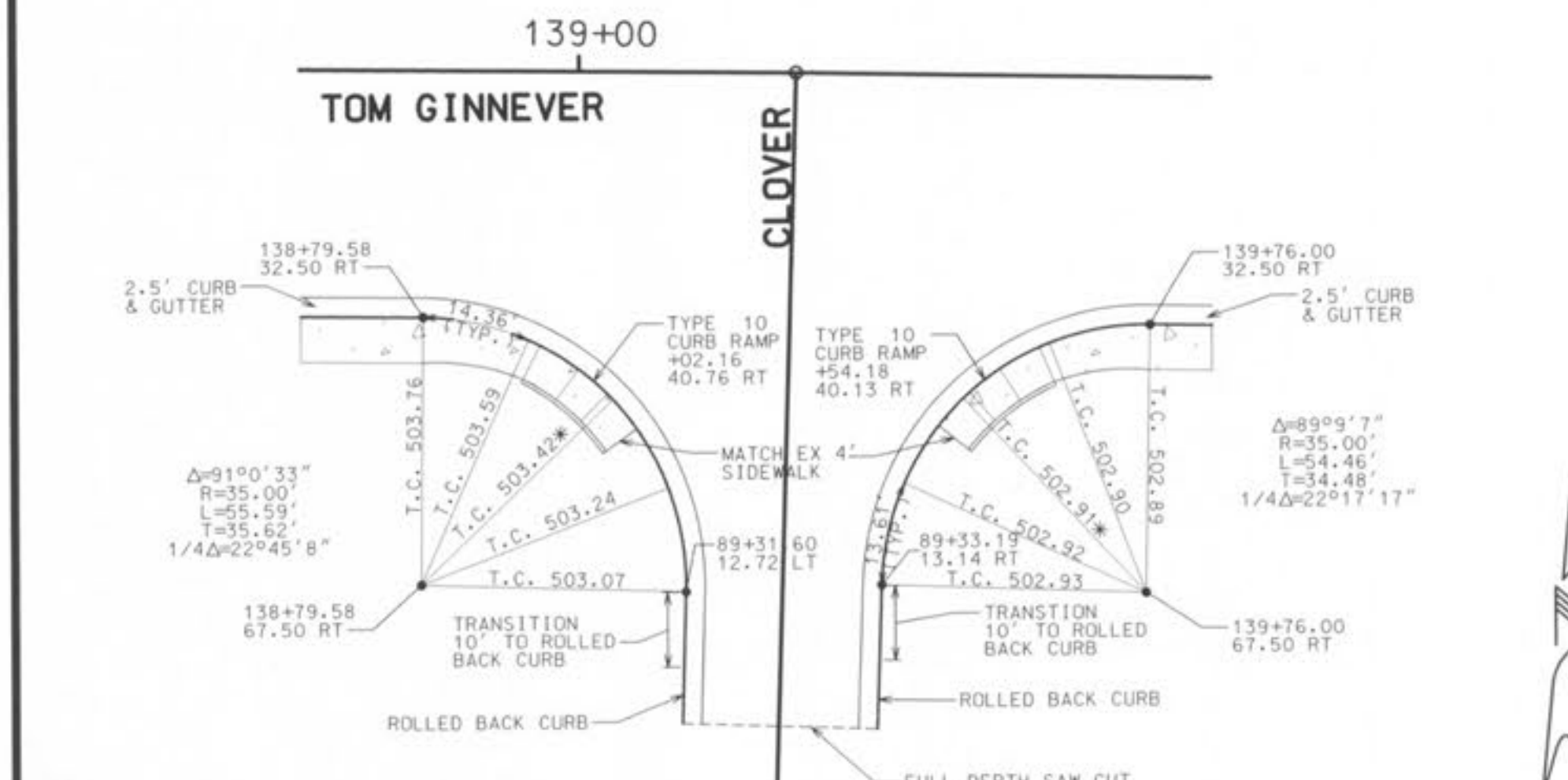
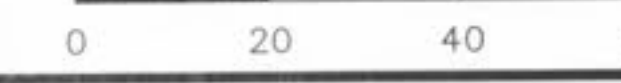
* ELEVATION REPRESENTS TOP OF CURB IF EXTENDED THROUGH ADA RAMP



* ELEVATION REPRESENTS TOP OF CURB IF EXTENDED THROUGH ADA RAMP
* ELEVATION REPRESENTS TOP OF CURB IF EXTENDED THROUGH EXISTING CURB INLET



* ELEVATION REPRESENTS TOP OF CURB IF EXTENDED THROUGH ADA RAMP



* ELEVATION REPRESENTS TOP OF CURB IF EXTENDED THROUGH ADA RAMP



**INTERSECTION
DETAILS
SHEET 3 OF 4**