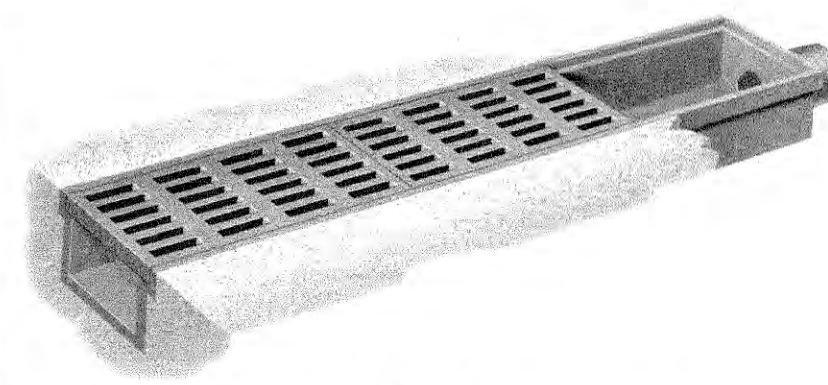


**R-4995 - R-4996**  
**TYPE M TRENCH FRAME WITH SOLID OR GRATED COVER**

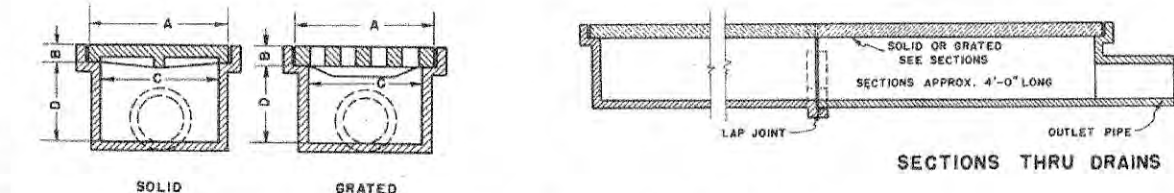
Cast Iron Trench Assemblies—Light or Heavy Duty—For Use in Sidewalks, Driveways, Garages, Loading Docks, etc.



**Read Carefully Before Ordering**

- Specify:
1. Complete catalog number.
  2. Light or heavy duty.
  3. Overall length of cover required.
  4. Lid solid, flat grated, or diagonally barred cover grate.
  5. Location of outlet, side, bottom or end (give dimensional location and pipe size).
  6. Whether one end or both ends are to be open or closed.

Illustrating Type M frame with grated cover. Standard with 4-inch outside caulk outlet. Can be equipped for inside caulk if specified.



Trench covers are used over areas requiring long drainage assemblies. Can be supplied in a variety of sizes and lengths to meet special needs. For trenches of irregular pattern, product engineering can provide layout drawings.

Standard 4-inch outlet at end of drain. Special size outlets are available. Provided with side and bottom outlets optional and furnished only when specified.

Dimensions in inches

Catalog No.	Description	A	B	C	D	Length
<b>Standard Sizes—Light Duty</b>						
R-4995-A1**	With grated cover	11 3/4	3 3/4	10	6 1/2	As ordered
R-4995-A2*	With grated cover	7	3/4	5	4 1/2	As ordered
R-4995-B1	With solid cover	11 3/4	3/4	10	6 1/2	As ordered
R-4995-B2	With solid cover	7	3/4	5	4 1/2	As ordered

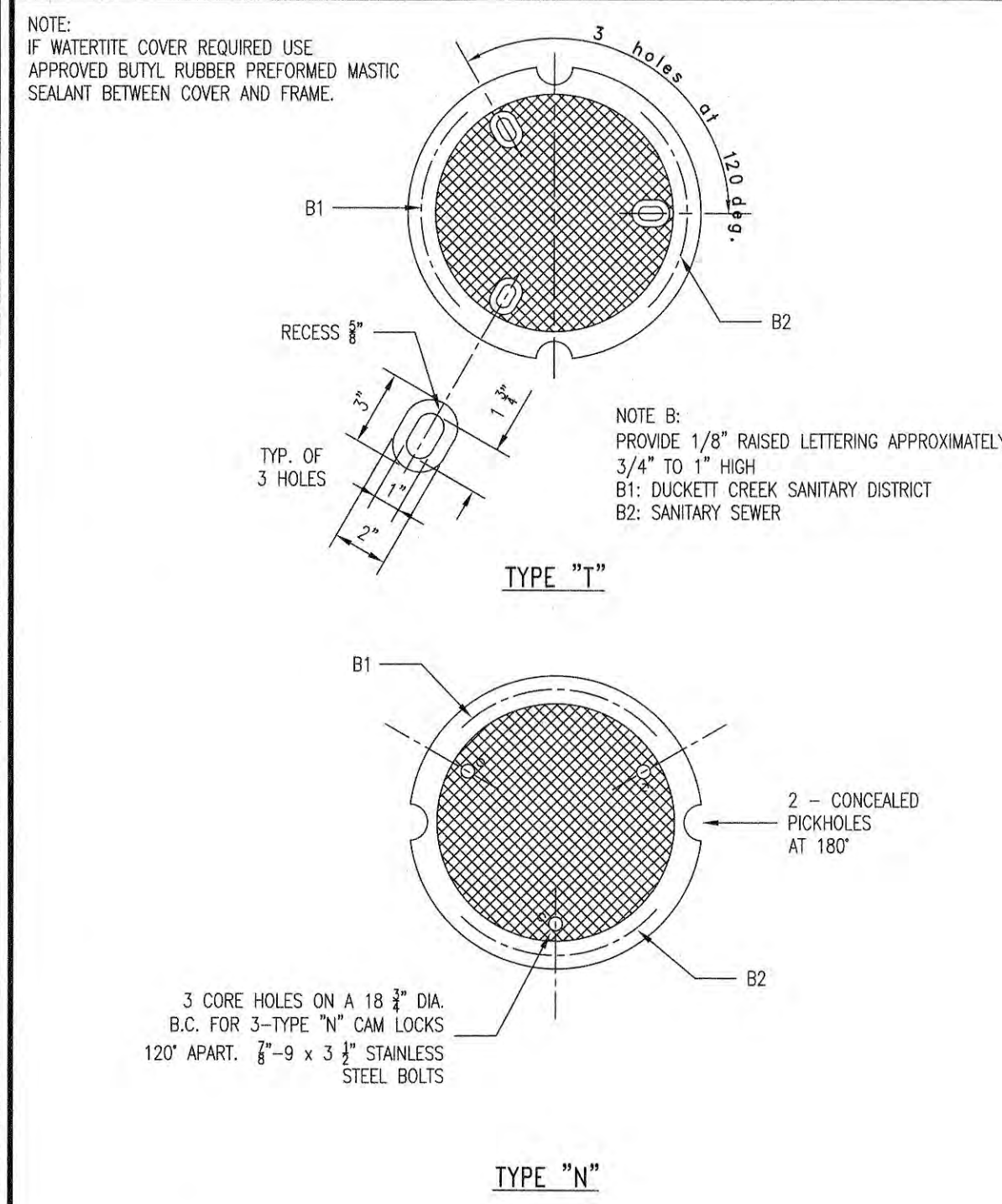
<b>Standard Sizes—Heavy Duty</b>						
R-4996-A1**	With grated cover	11 3/4	3 3/4	10	6 1/2	As ordered
R-4996-A2*	With grated cover	7	3/4	5	4 1/2	As ordered
R-4996-B1	With solid cover	11 3/4	3/4	10	6 1/2	As ordered
R-4996-B2	With solid cover	7	3/4	5	4 1/2	As ordered

Above Standard Frames made in 4 ft. sections, covers in 2 ft. lengths.  
 \*Available with Type B grate only.  
 \*\*Also available with Type P grate.

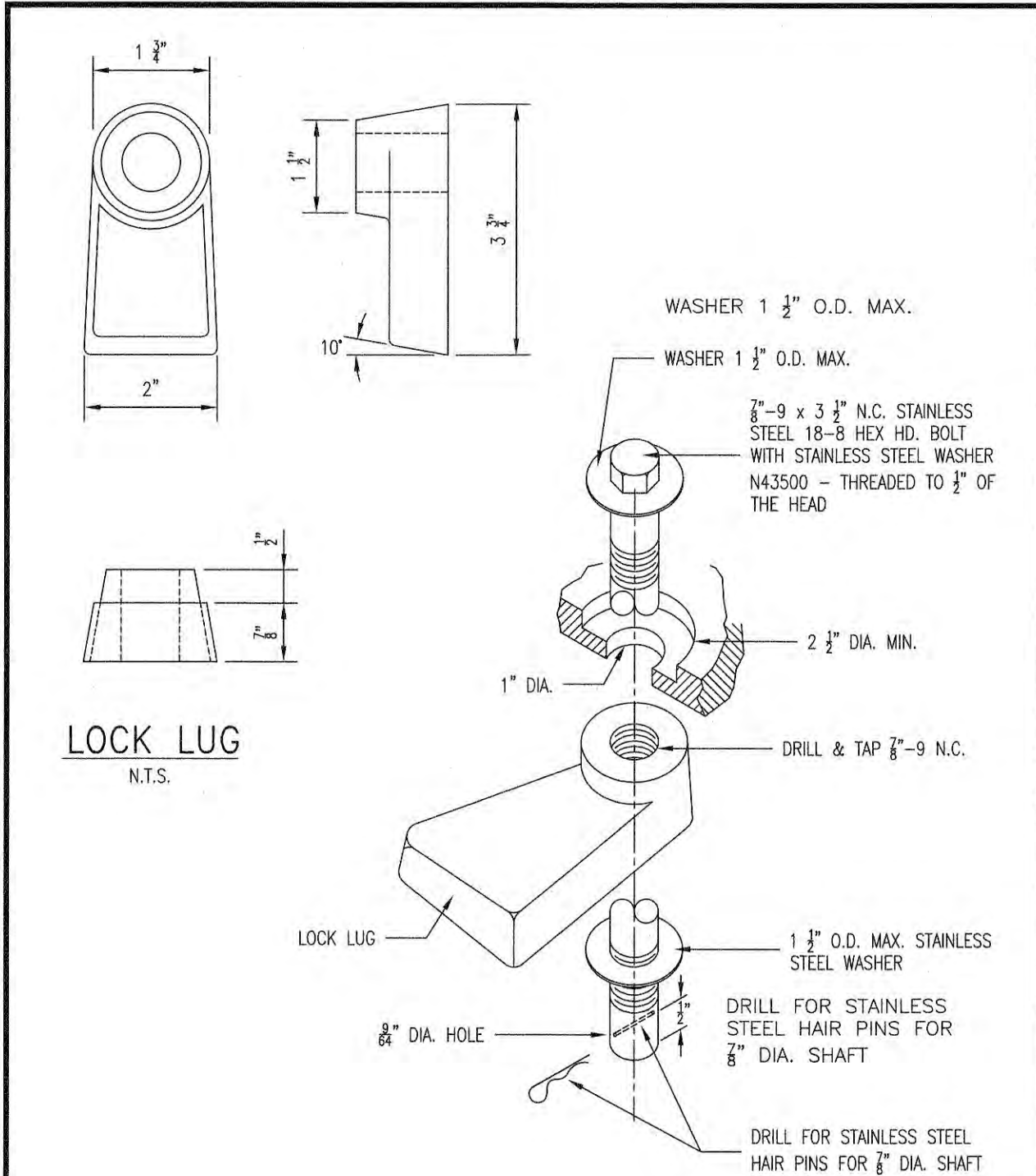
USE R-4996-A2 WITH BOTTOM OUTLET FOR TOMMY'S EXPRESS CAR WASH

290

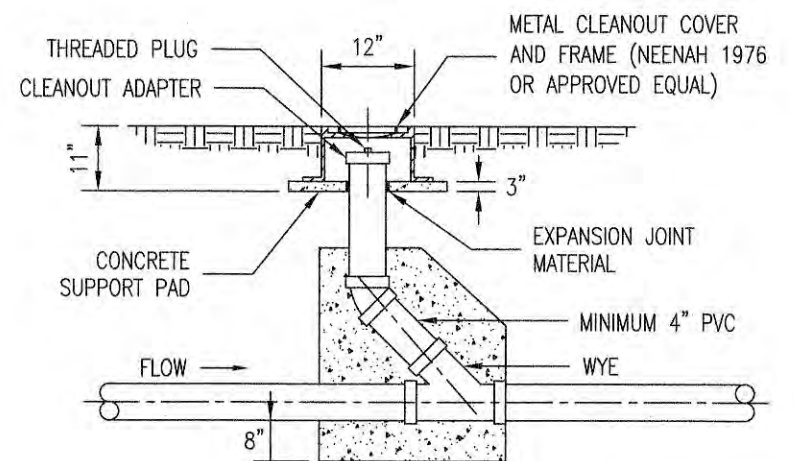
SEE REFERENCE TO THE TABLE OF CONTENTS



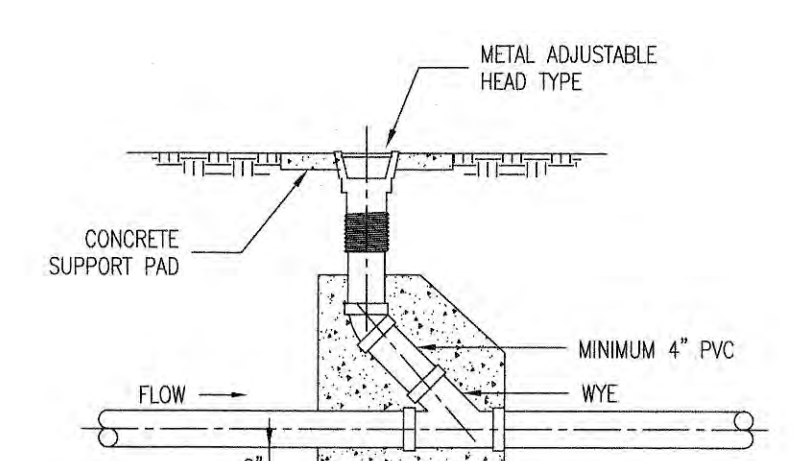
**Duckett Creek Sanitary District**  
 CAST IRON MANHOLE COVERS (LOCK TYPE)  
 Own By: BSM App By: KLA Detail No: 14  
 Ckd By: MDOB Date: DEC. 2015



**Duckett Creek Sanitary District**  
 LOCKING DEVICE FOR TYPE "M" LOCK TYPEMAN HOLE COVER  
 Own By: BSM App By: KLA Detail No: 16  
 Ckd By: MDOB Date: DEC. 2015

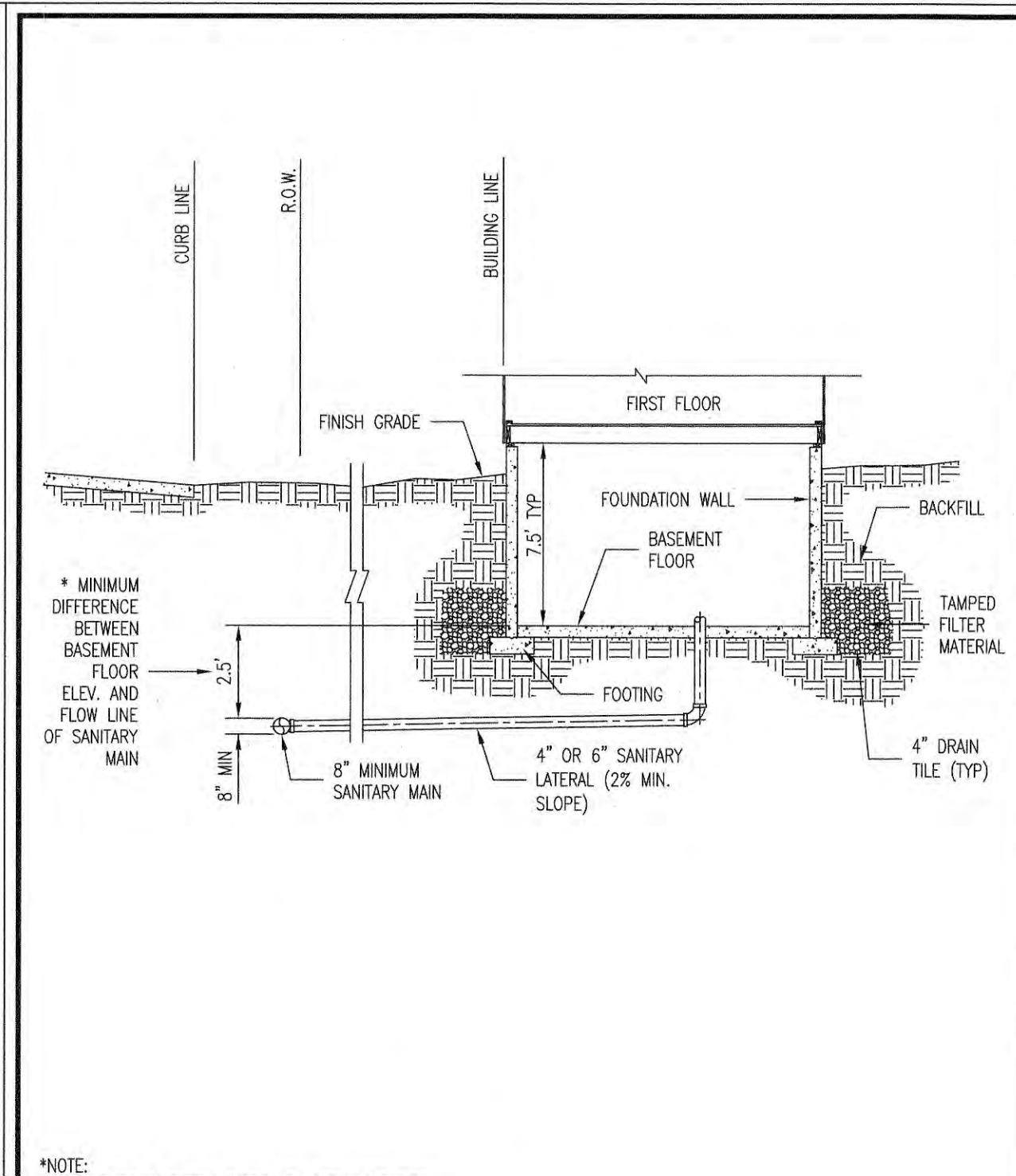


METAL FRAME AND COVER TYPE CLEANOUT

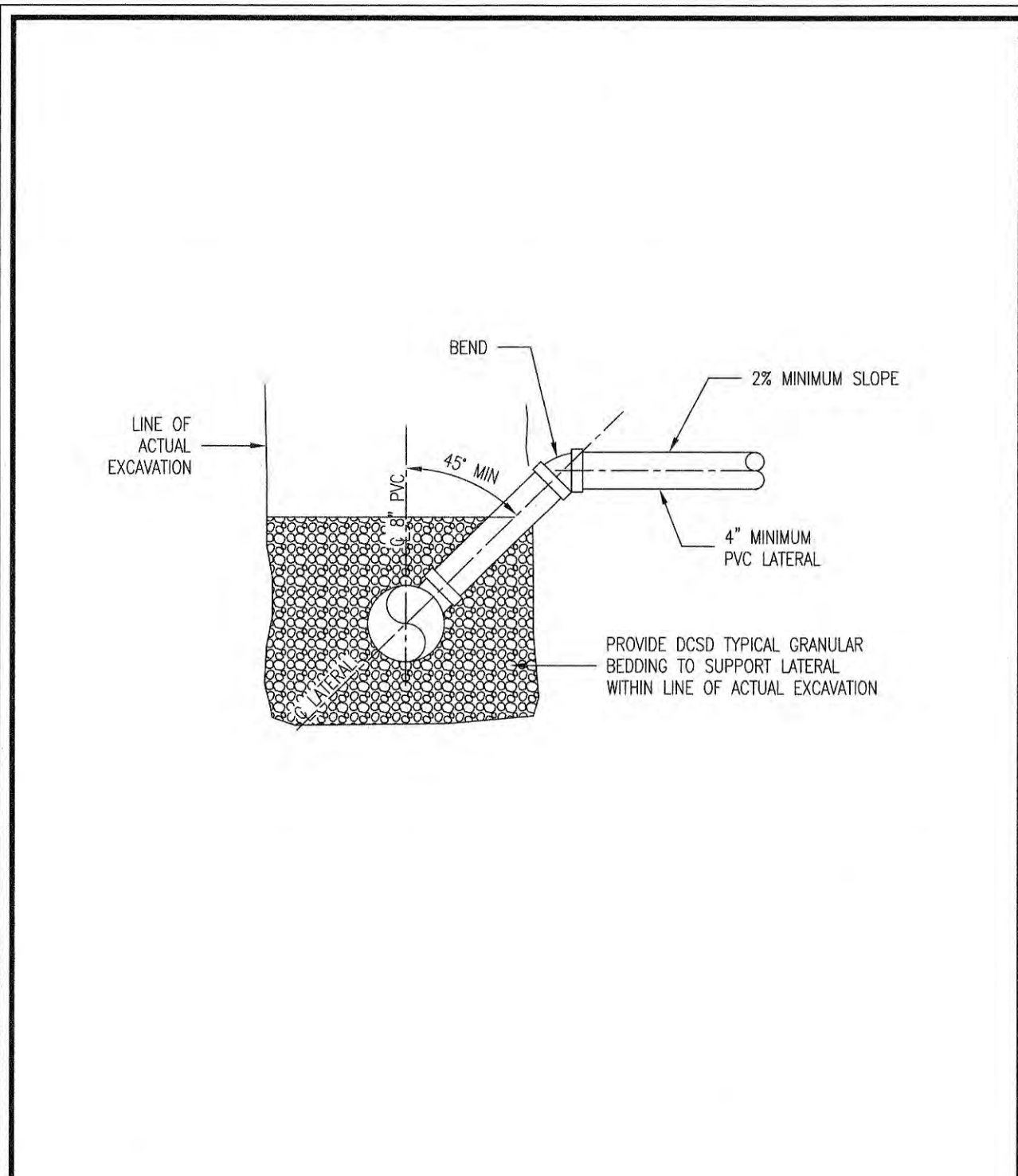


ADJUSTABLE HEAD TYPE CLEANOUT

**Duckett Creek Sanitary District**  
 TYPICAL SEWER LATERAL CLEANOUT DETAIL  
 Own By: BSM App By: KLA Detail No: 25  
 Ckd By: MDOB Date: DEC. 2015



**Duckett Creek Sanitary District**  
 TYPICAL SANITARY SEWER LATERAL PROFILE  
 Own By: BSM App By: KLA Detail No: 26  
 Ckd By: MDOB Date: DEC. 2015



**Duckett Creek Sanitary District**  
 SANITARY SEWER LATERAL RISER DETAIL  
 Own By: BSM App By: KA Detail No: 27  
 Ckd By: MDOB Date: DEC. 2015

**PROJECT TITLE:**  
 TOMMY'S EXPRESS CAR WASH  
 101 FALLON LOOP RD.  
 O FALLON MISSOURI 63368

**ENGINEERING PLANNING SURVEYING**  
 221 Point West Blvd.  
 St. Charles, MO 63301  
 636-926-5652  
 FAX 636-926-1718

REFERENCE DRAWINGS ONLY, ENGINEERS SEAL DOES NOT APPLY TO THESE DETAILS

**REVISIONS**

No.	Revision
4-17-20	city, dcsd, pwsd2 & fire comments

**Developer / Owner:**  
 DOWLING ENTERPRISES LLC - BILL DOWLING  
 5 BRIDLE LANE  
 FRONTENAC, MISSOURI 63131  
 314-614-4294

**SANITARY AND STORM DETAILS**

**P+Z No.** #19-009654  
**Approval Date:** 11-7-19  
**City No.** #

Box Project #00-00000 Issue Date: 1/24/2020