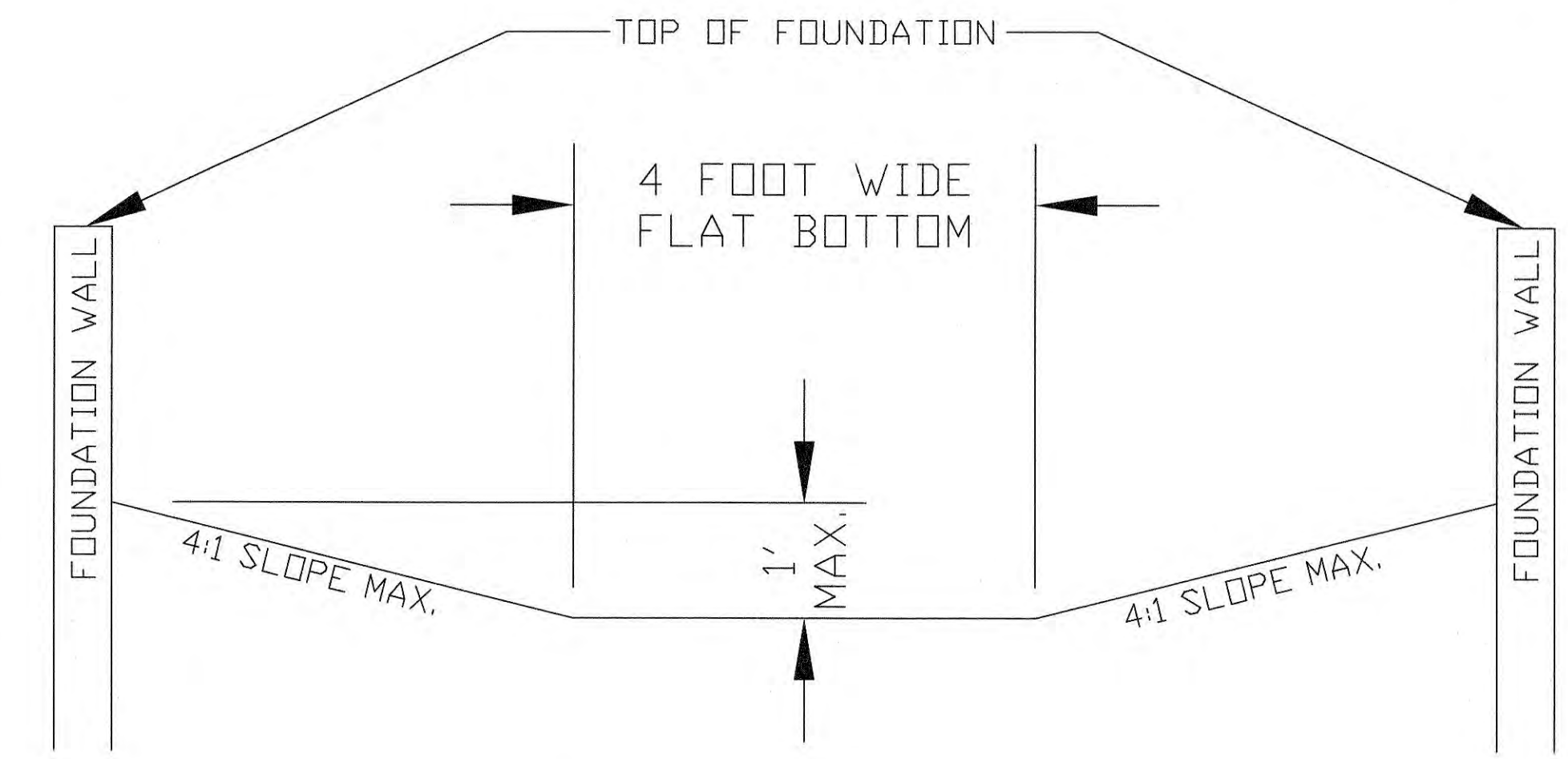
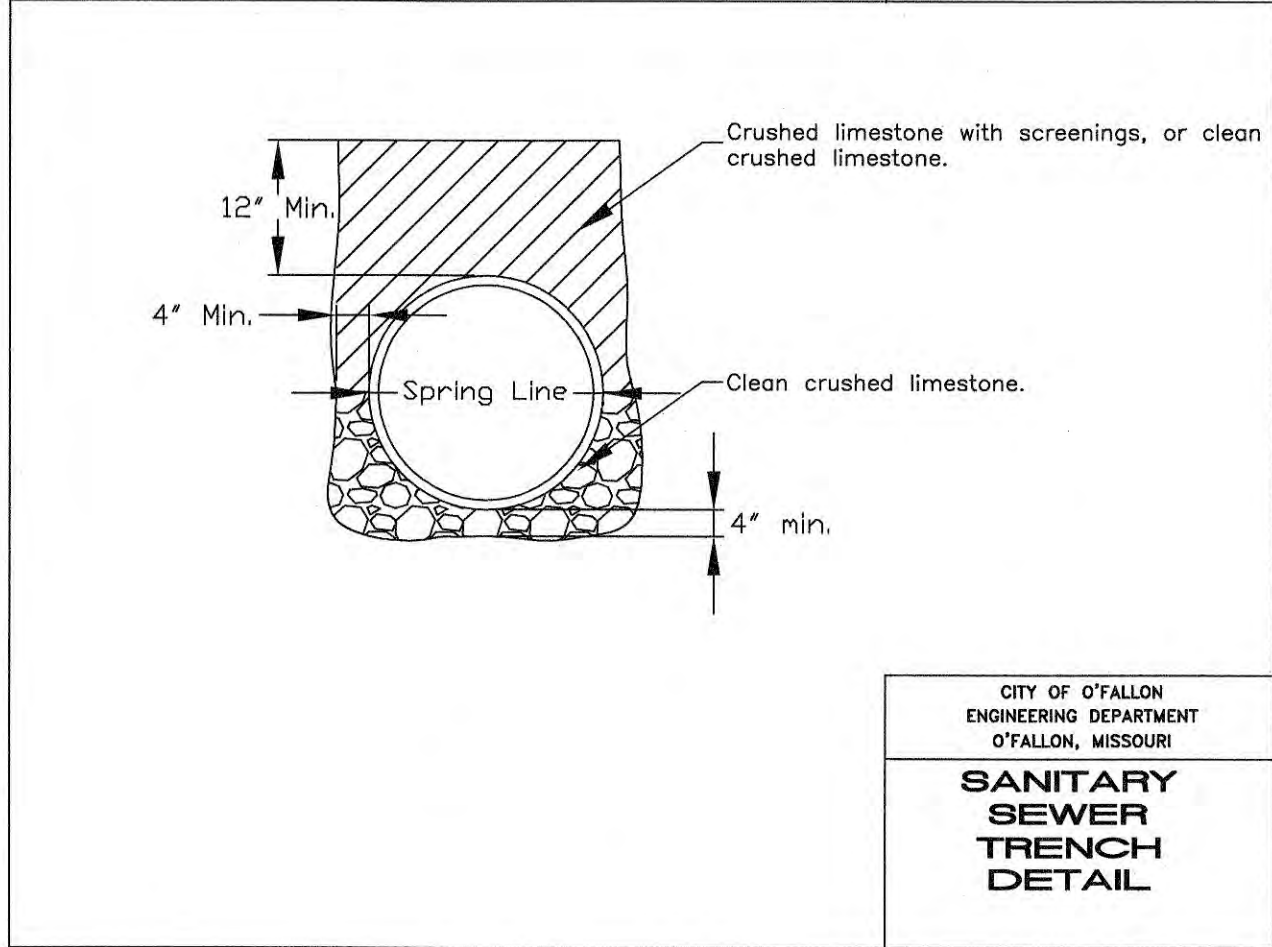
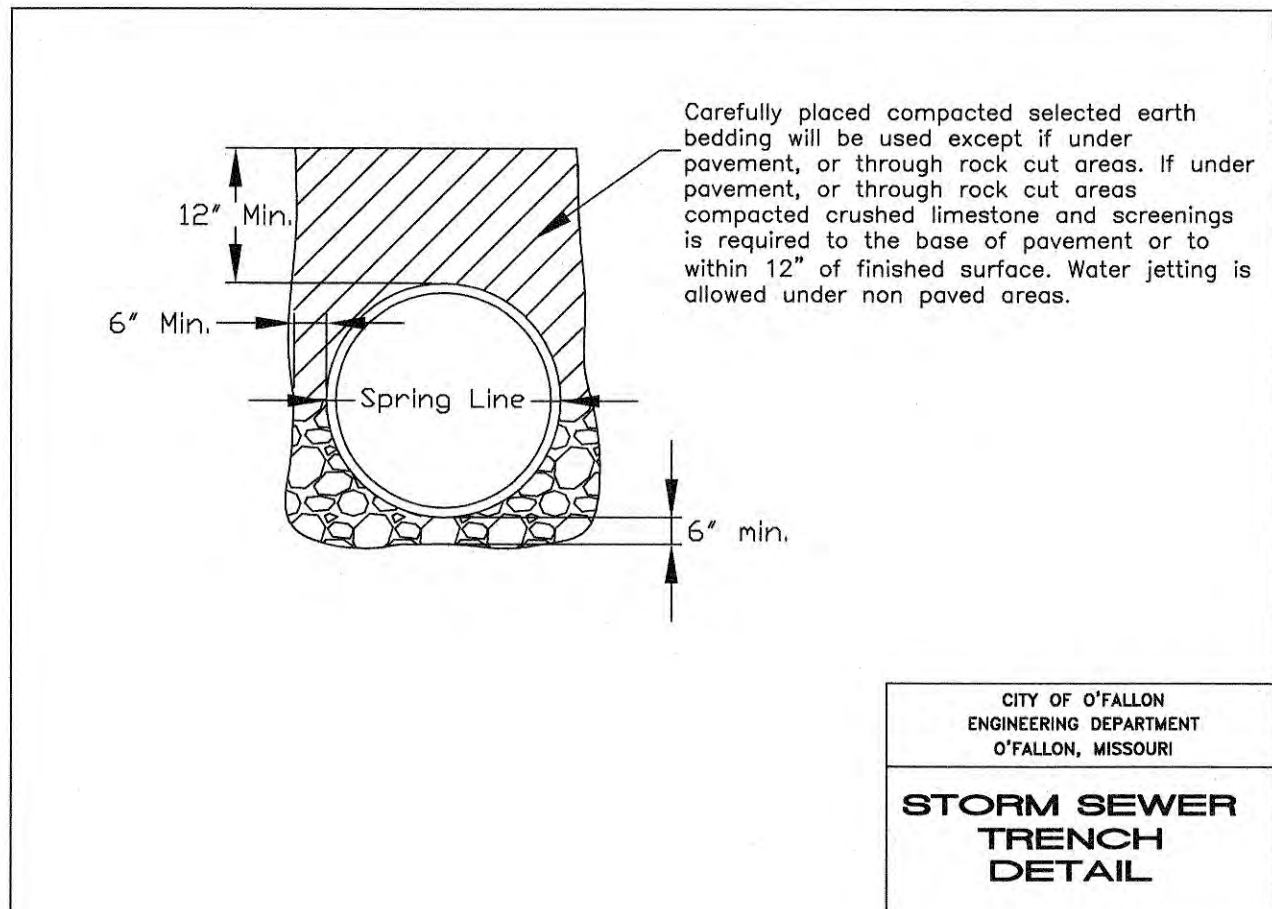
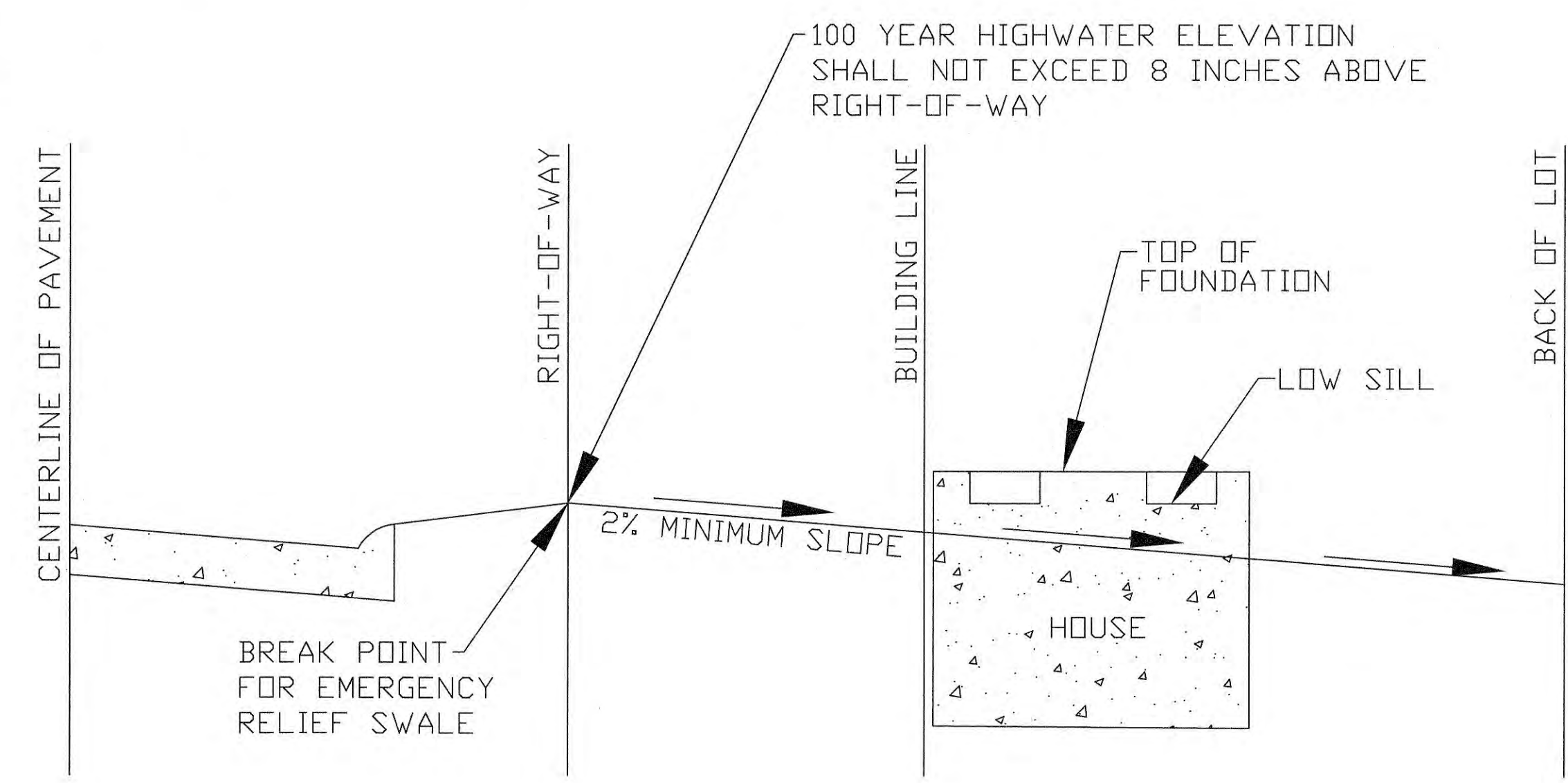


* All other Storm or Sanitary Sewer Details will be by M.S.D. Standards and Specifications.
 ** All inlets shall have 5/8" trash bar centered with the opening(s).

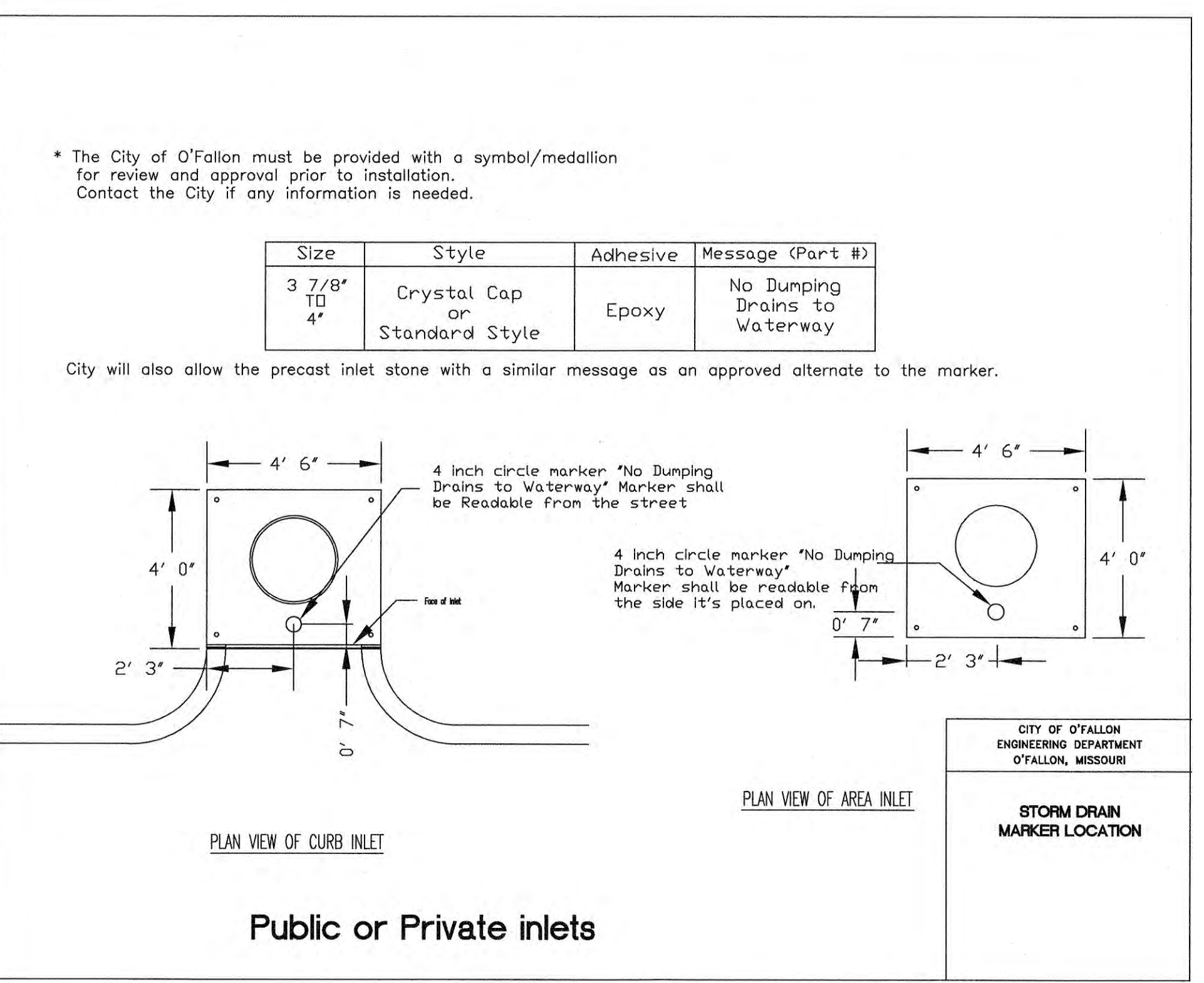


TYPICAL EMERGENCY RELIEF PATH SECTION
N.T.S.

NOTE:
THE 100 YEAR STORM WATER FLOW SHALL NOT EXCEED THE LOW SILL ELEVATION OF THE HOUSE OR WINDOW WELLS WILL BE REQUIRED.



TYPICAL EMERGENCY RELIEF PATH PROFILE
N.T.S.



PROJECT TITLE:
TOMMY'S EXPRESS CAR WASH
101 FALLON LOOP RD.
O'FALLON MISSOURI 63368

ENGINEERING
PLANNING
SURVEYING
221 Point West Blvd.
St. Charles, MO 63301
636-928-5662
FAX 636-1718

REFERENCE DRAWINGS ONLY, ENGINEERS SEAL DOES NOT APPLY TO THESE DETAILS

REVISIONS

No.	Date	Description
4-17-20	City, dcad, pward2 & fire comments	

Developer / Owner:
DOWLING ENTERPRISES LLC - BILL DOWLING
5 BRIDLE LANE
FRONTENAC, MISSOURI 63131
314-614-4294

STORM AND SANITARY DETAILS

P+Z No. #19-009654
Approval Date: 11-7-19
City No. #