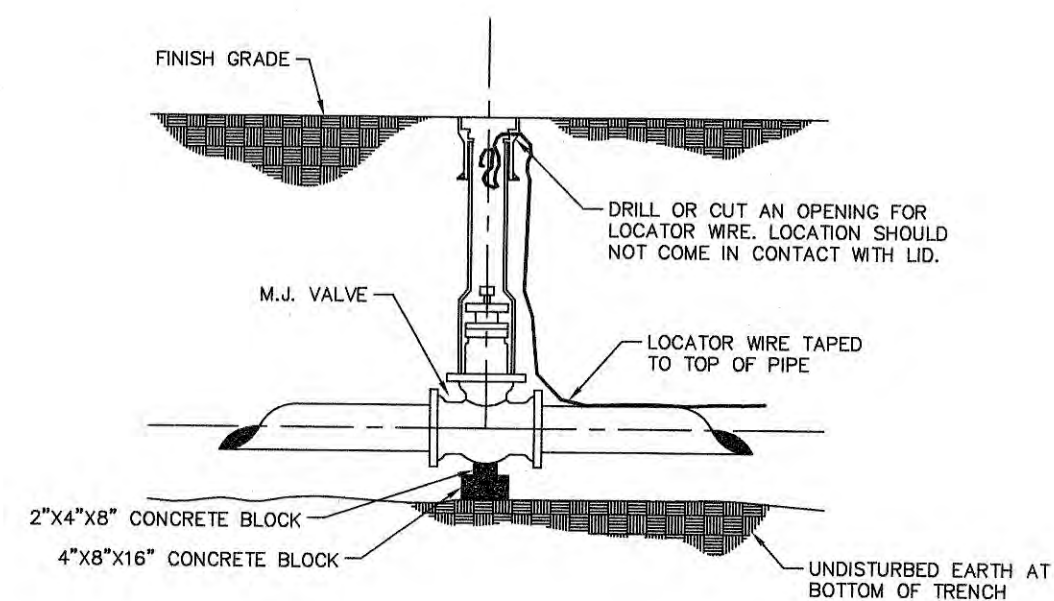


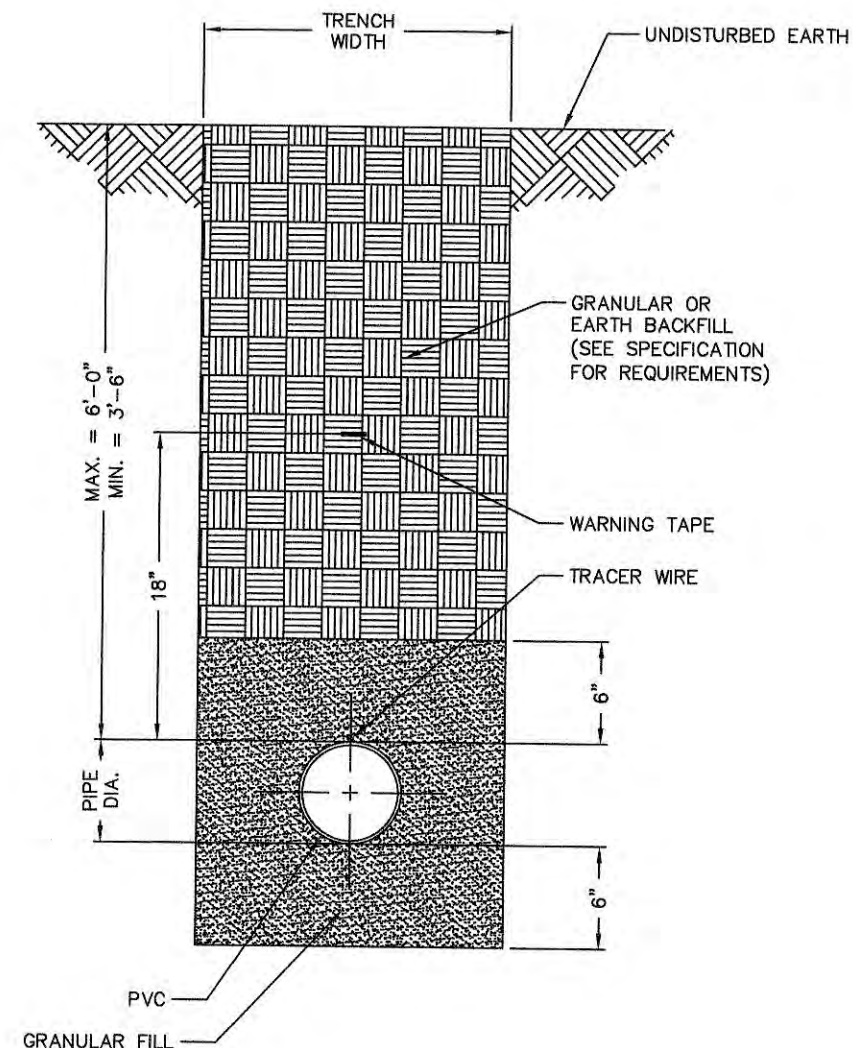
NOTE: THIS DETAIL IS FROM PWS#2

Buffalo box is an acceptable product to use.  
Tyler 562-S and 564-S are acceptable products.



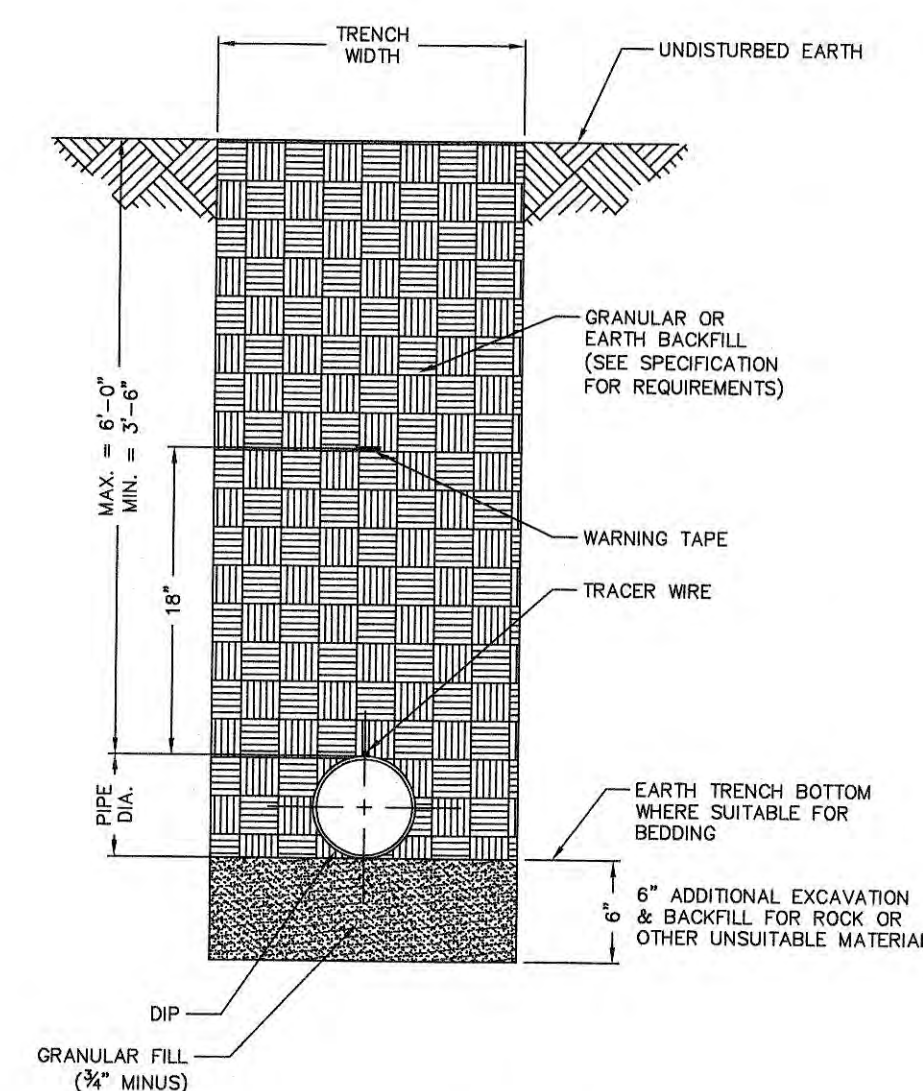
GATE VALVE DETAIL  
NOT TO SCALE  
DETAIL "D"  
PAGE 1 OF 2

NOTE: THIS DETAIL IS FROM PWS#2

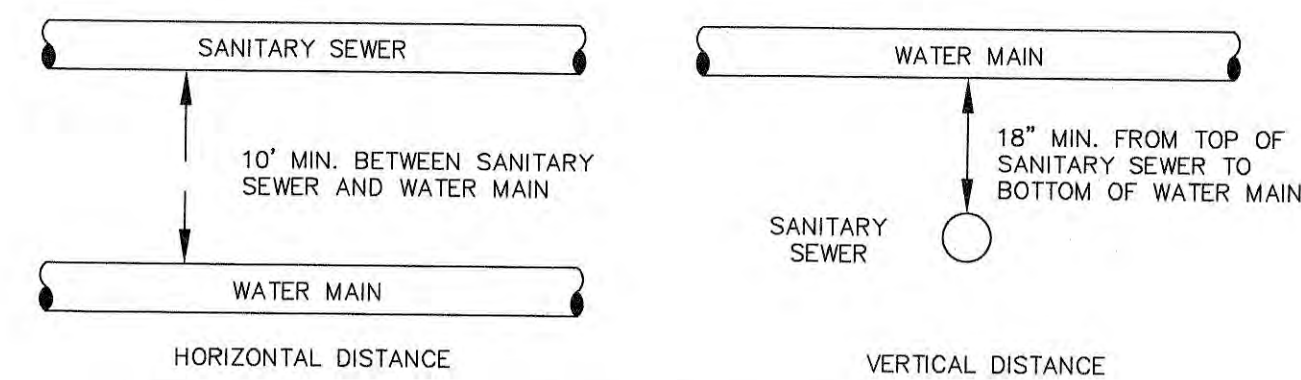


NOTES  
1) SEE SPECIFICATIONS FOR ADDITIONAL DETAILS FOR BEDDING AND BACKFILL.  
TYPICAL TRENCH SECTION FOR PVC PIPE  
NOT TO SCALE  
DETAIL "A"  
PAGE 1 OF 2

NOTE: THIS DETAIL IS FROM PWS#2



NOTES  
1) POLYWRAP REQUIRED FOR DUCTILE IRON PIPE  
2) SEE SPECIFICATIONS FOR ADDITIONAL DETAILS FOR BEDDING AND BACKFILL.  
TYPICAL TRENCH SECTION FOR DUCTILE IRON PIPE  
NOT TO SCALE  
DETAIL "A"  
PAGE 2 OF 2



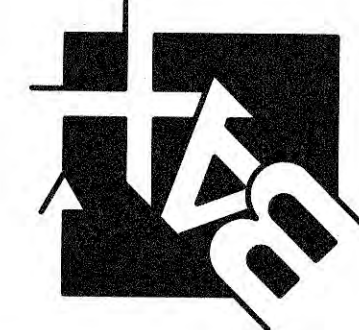
TYPICAL WATER AND SEWER SEPARATION  
NOT TO SCALE

CITY OF O'FALLON  
ENGINEERING DEPARTMENT  
O'FALLON, MISSOURI  
WATER AND SEWER SEPARATION DETAIL

Ductile Iron Pipe installation shall follow the Ductile Iron Research Association (DIPRA) guide line.  
The Installation of PVC Pipe shall follow the Uni-Bell PVC Pipe Association Handbook of PVC Design and Construction.

PROJECT TITLE:  
TOMMY'S EXPRESS CAR WASH  
101 FALLON LOOP RD.  
O'FALLON MISSOURI 63368

ENGINEERING  
PLANNING  
SURVEYING  
221 Point West Blvd.  
St. Charles, MO 63301  
636-928-5552  
FAX 636-928-1718

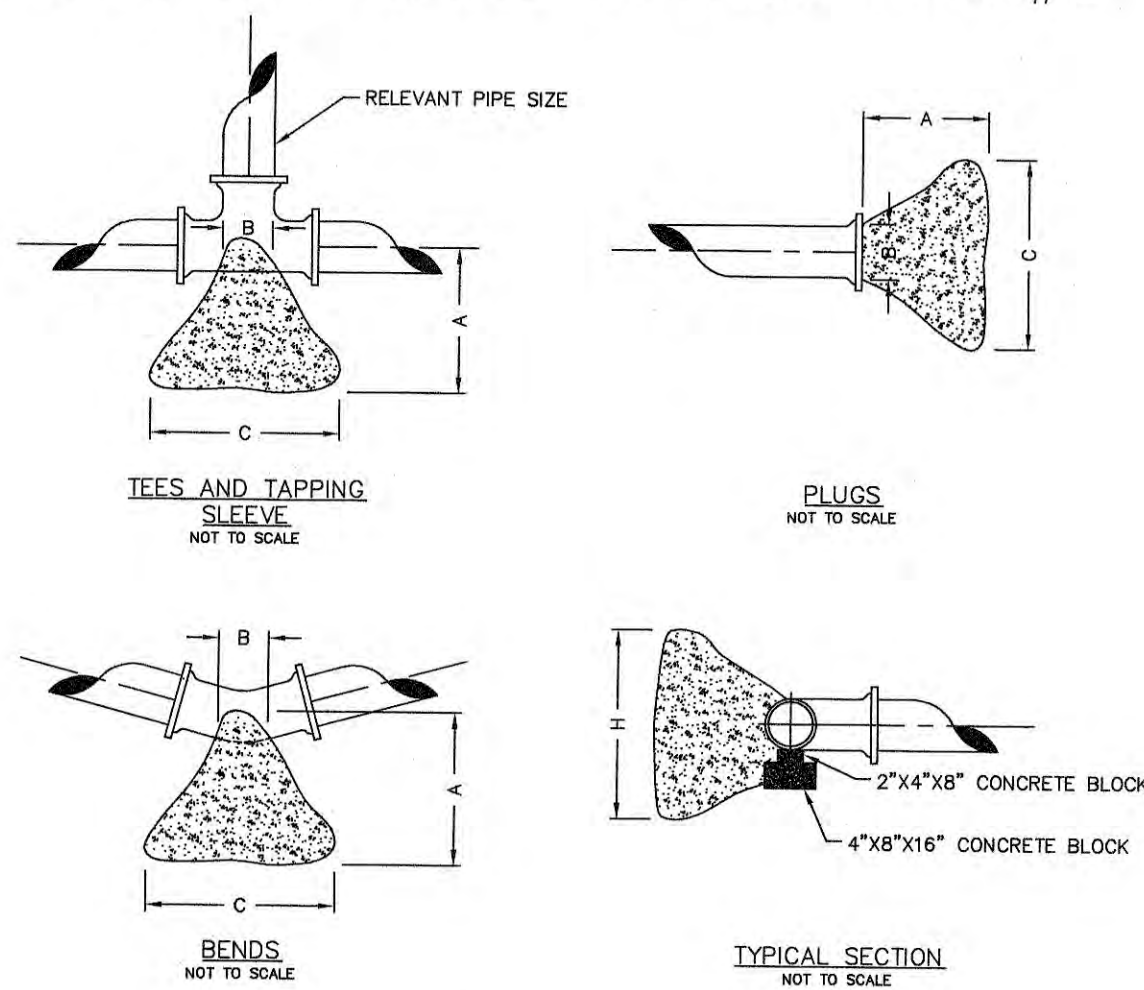


REFERENCE DRAWINGS ONLY, ENGINEERS SEAL DOES NOT APPLY TO THESE DETAILS

REVISIONS

4-17-20	city, dcsd, pwsd2 & fire comments

NOTE: THIS DETAIL IS FROM PWS#2

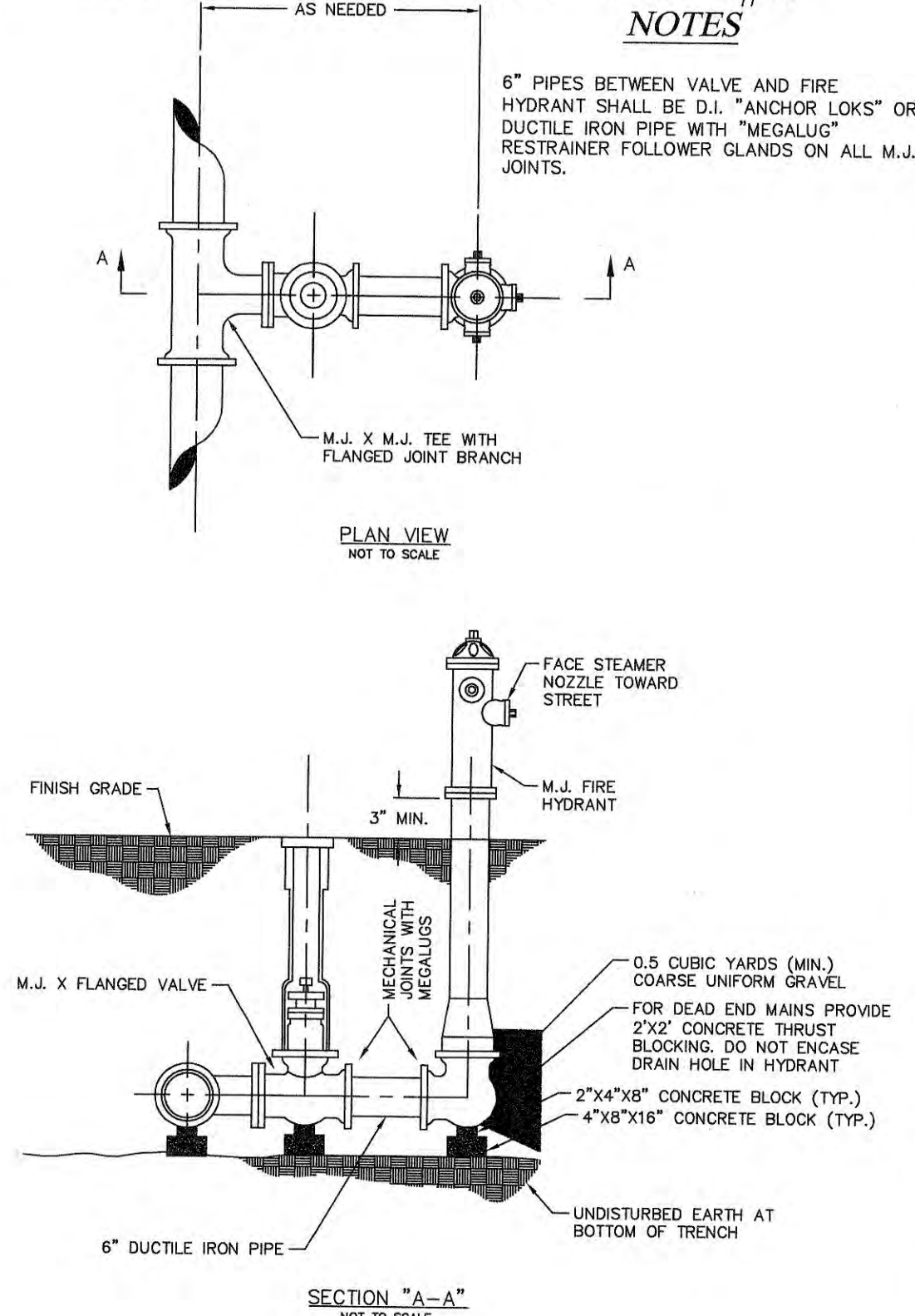


PIPE DIA.	THRUST BLOCK DIMENSIONS - INCHES											
	ALL FTGS.		TEE PLUG TAPPING		90 DEGREE BEND		45 DEGREE BEND		22-1/2 BEND		11-1/4 BEND	
	A	B	C	H	C	H	C	H	C	H	C	H
4	14	4	24	12	26	15	18	12	12	12	12	12
6	16	6	36	18	36	24	30	18	24	12	12	12
8	20	8	36	30	42	36	36	24	24	18	18	12
10	20	10	48	36	66	36	36	36	28	24	18	18
12	24	12	68	36	82	42	52	36	40	24	28	18

NOTE  
FOR FITTINGS LARGER THAN 12", SPECIAL RESTRAINT DESIGNS ARE REQUIRED.

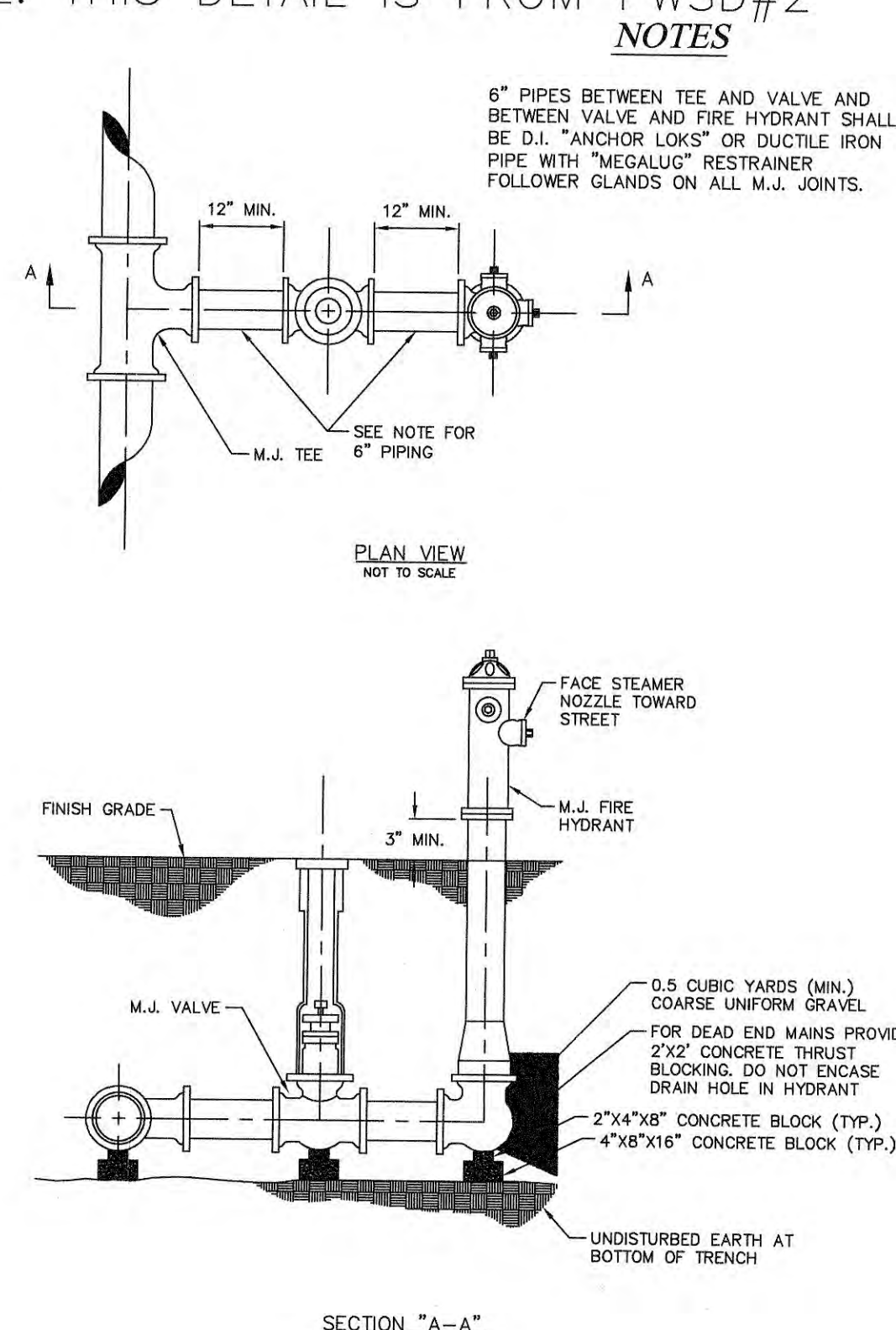
HORIZONTAL THRUST BLOCKING  
DETAIL "C"  
PAGE 1 OF 2

NOTE: THIS DETAIL IS FROM PWS#2



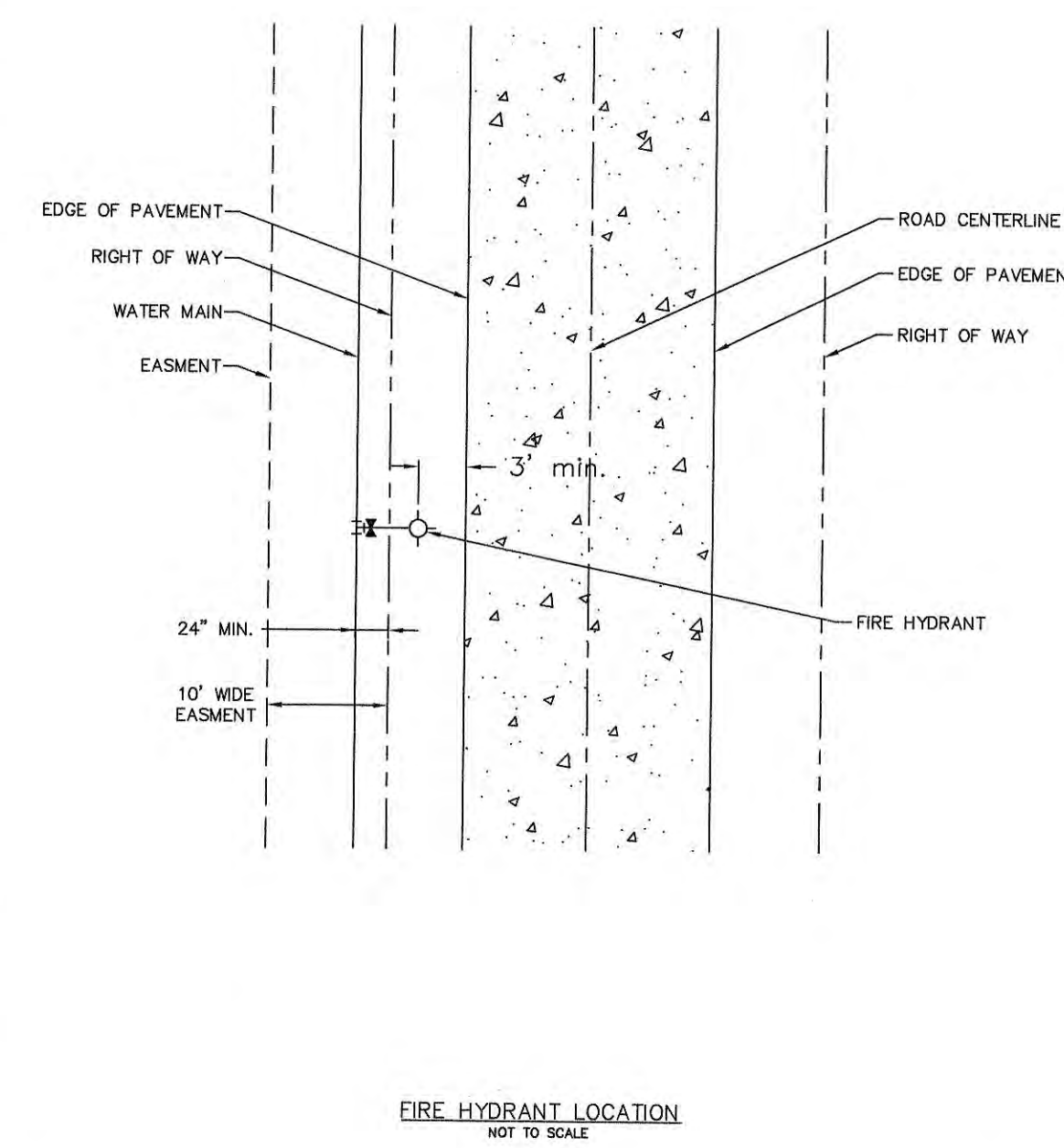
FIRE HYDRANT DETAIL  
DETAIL "B"  
PAGE 1 OF 3

NOTE: THIS DETAIL IS FROM PWS#2



FIRE HYDRANT DETAIL  
DETAIL "B"  
PAGE 2 OF 3

NOTE: MODIFIED DETAIL FROM PWS#2



FIRE HYDRANT DETAIL  
DETAIL "B"  
PAGE 3 OF 3

Developer / Owner:  
DOWLING ENTERPRISES LLC - BILL DOWLING  
5 BRIDLE LANE  
FRONTENAC, MISSOURI 63131  
314-614-4294

WATER DETAILS

P+Z No. #19-009654  
Approval Date: 11-7-19  
City No. #

Page No.