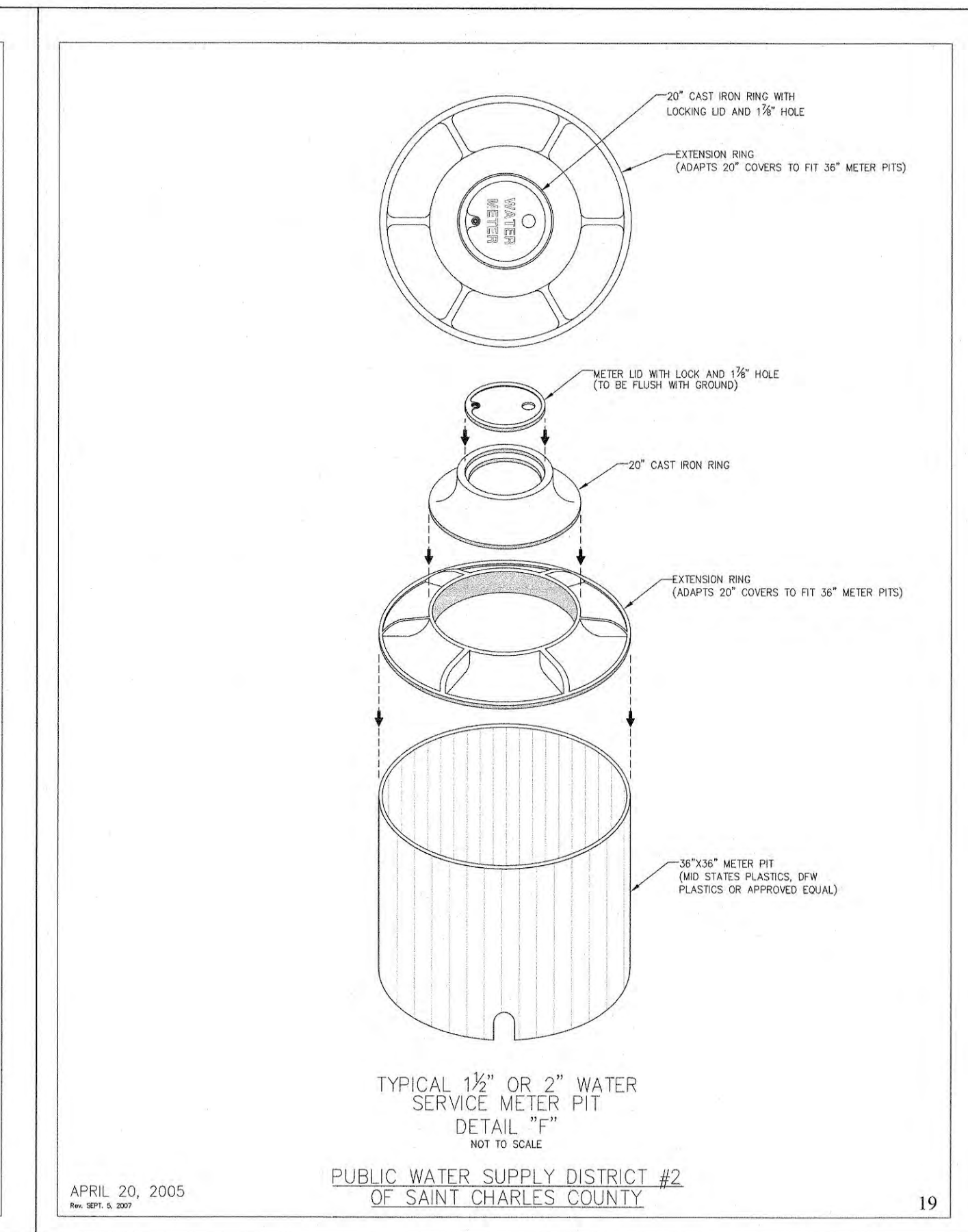


TYPICAL 1 1/2" & 2"  
WATER SERVICE  
DETAIL "E"  
NOT TO SCALE

APRIL 20, 2005  
REV. 001, 3, 2007

PUBLIC WATER SUPPLY DISTRICT #2  
OF SAINT CHARLES COUNTY

18



TYPICAL 1 1/2" OR 2"  
WATER SERVICE METER PIT  
DETAIL "F"  
NOT TO SCALE

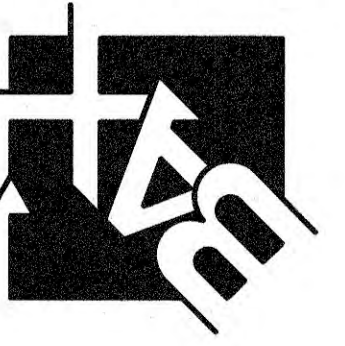
APRIL 20, 2005  
REV. 001, 3, 2007

PUBLIC WATER SUPPLY DISTRICT #2  
OF SAINT CHARLES COUNTY

19

**PROJECT TITLE:**  
TOMMY'S EXPRESS CAR WASH  
101 FALLON LOOP RD.  
O'FALLON MISSOURI 63368

ENGINEERING  
PLANNING  
SURVEYING  
221 Point View Blvd.  
St. Charles, MO 63301  
636-928-5562  
FAX 928-1718



REFERENCE DRAWINGS  
ONLY, ENGINEERS  
SEAL DOES NOT  
APPLY TO THESE  
DETAILS

REVISIONS

NO.	DATE	DESCRIPTION
4-17-20	city, dcsd, pwsd2 & fire comments	

**Developer / Owner:**  
DOWLING ENTERPRISES LLC - BILL DOWLING  
5 BRIDLE LANE  
FRONTENAC, MISSOURI 63181  
314-614-4294

**PWSD#2 WATER DETAILS**

P+Z No. #19-009654

Approval Date: 11-7-19

City No. #

Page No.

13.1 of 15