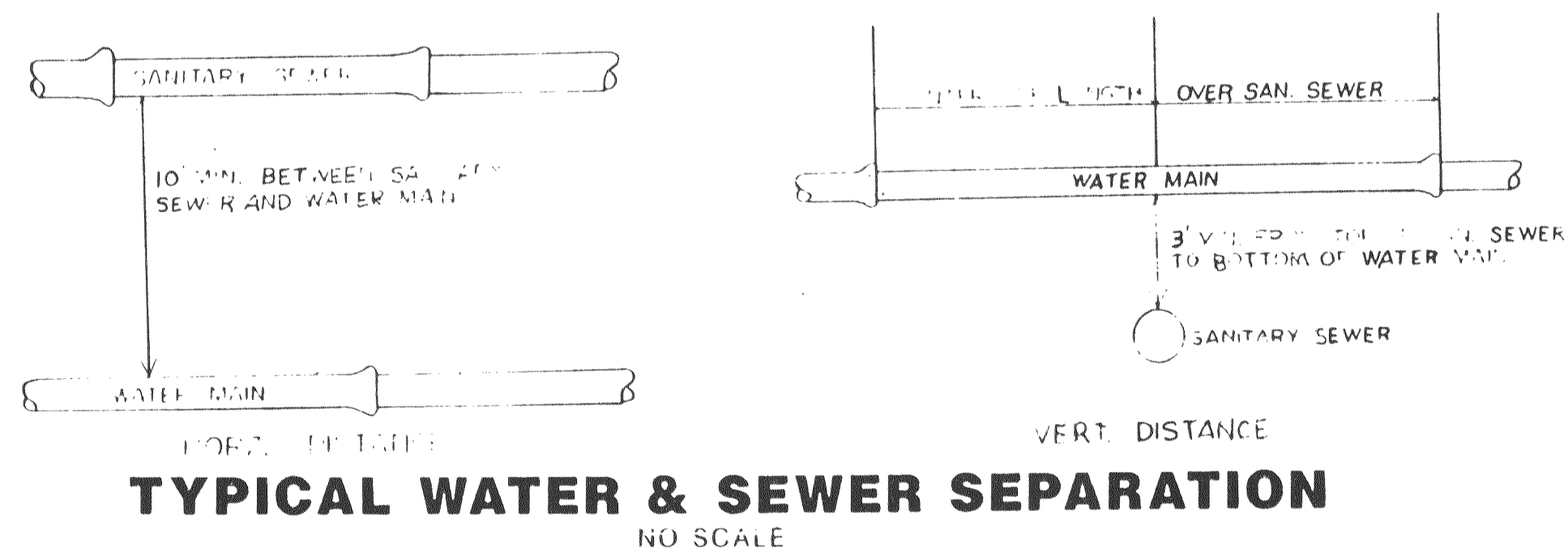
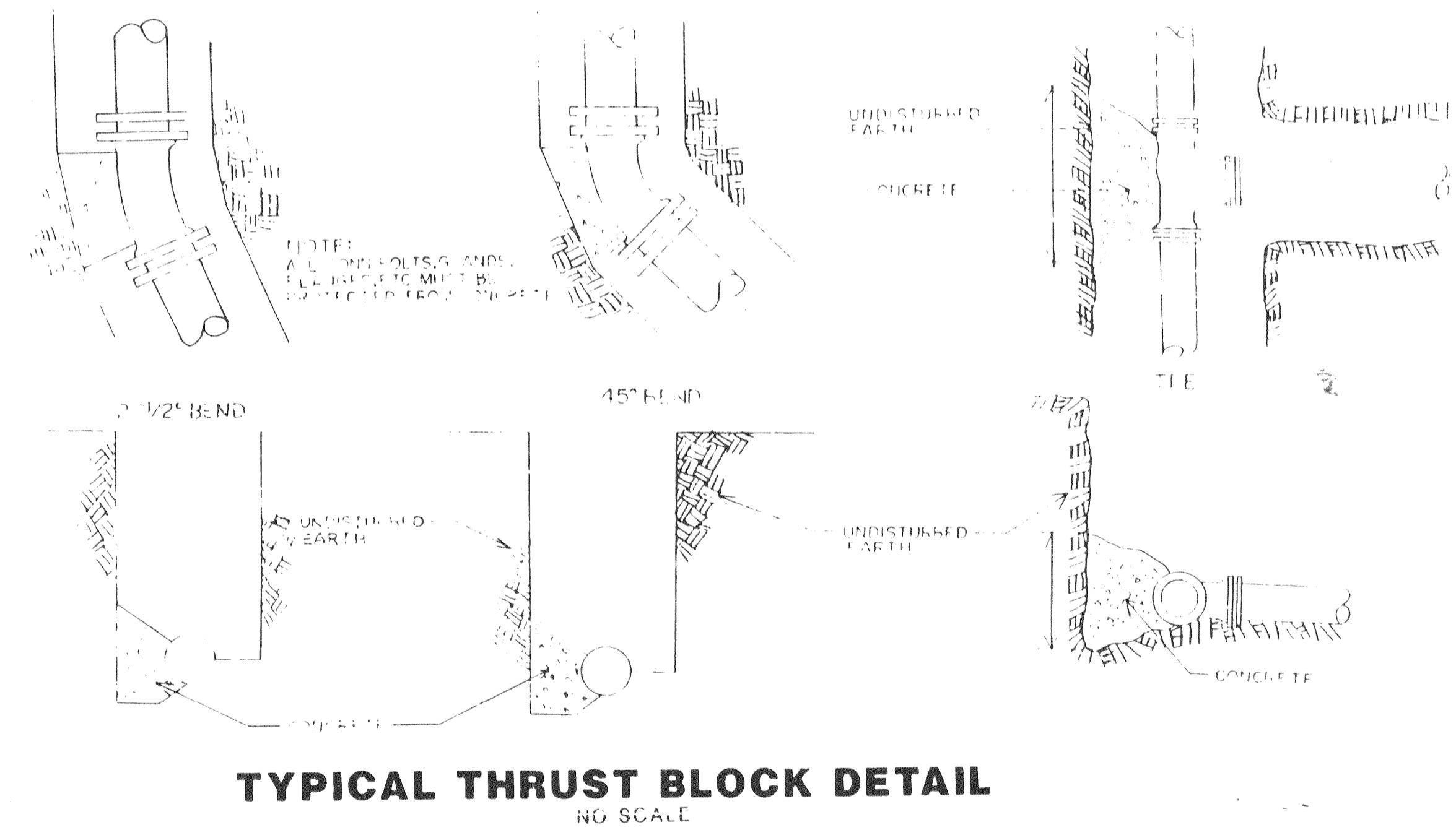
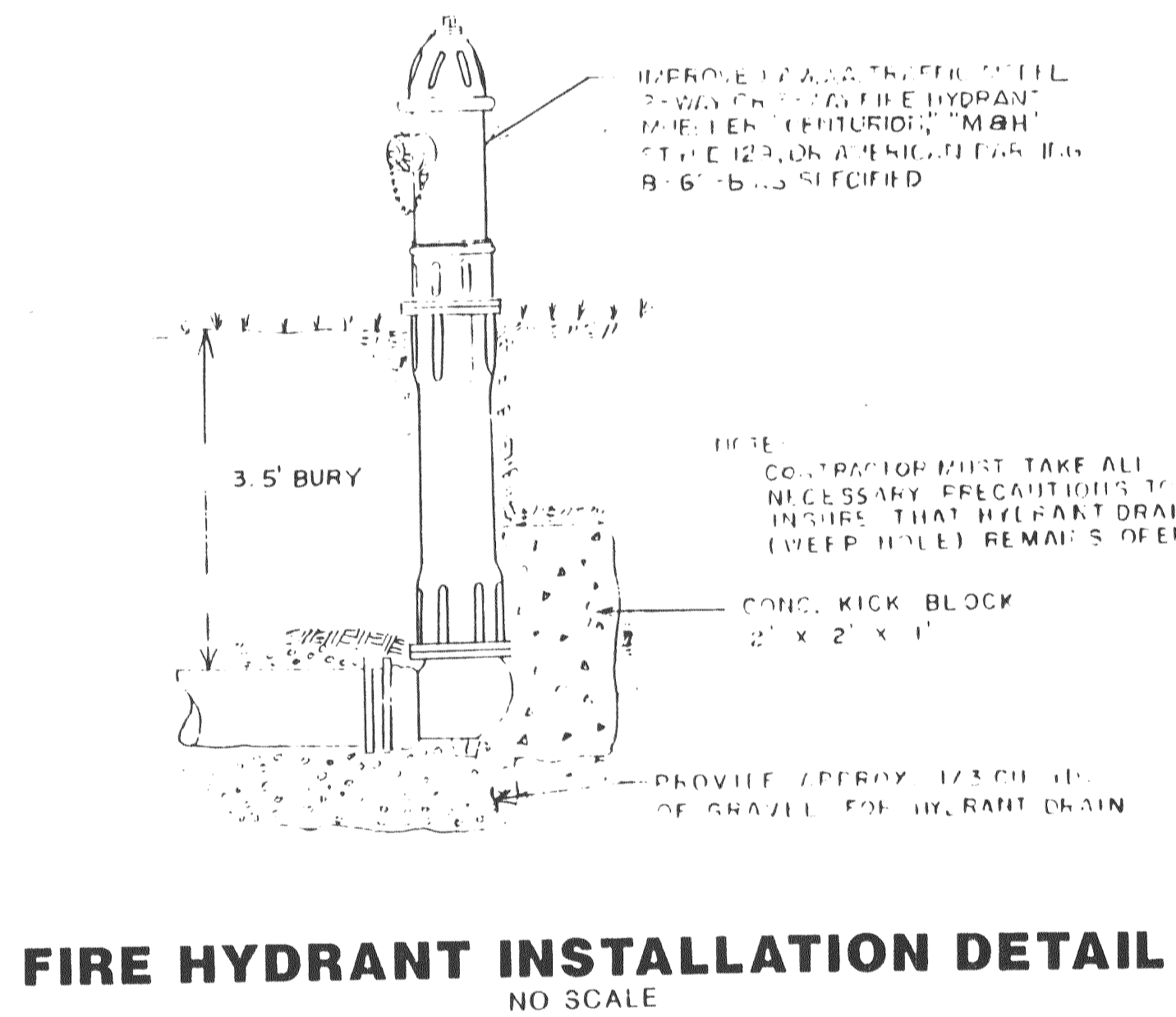
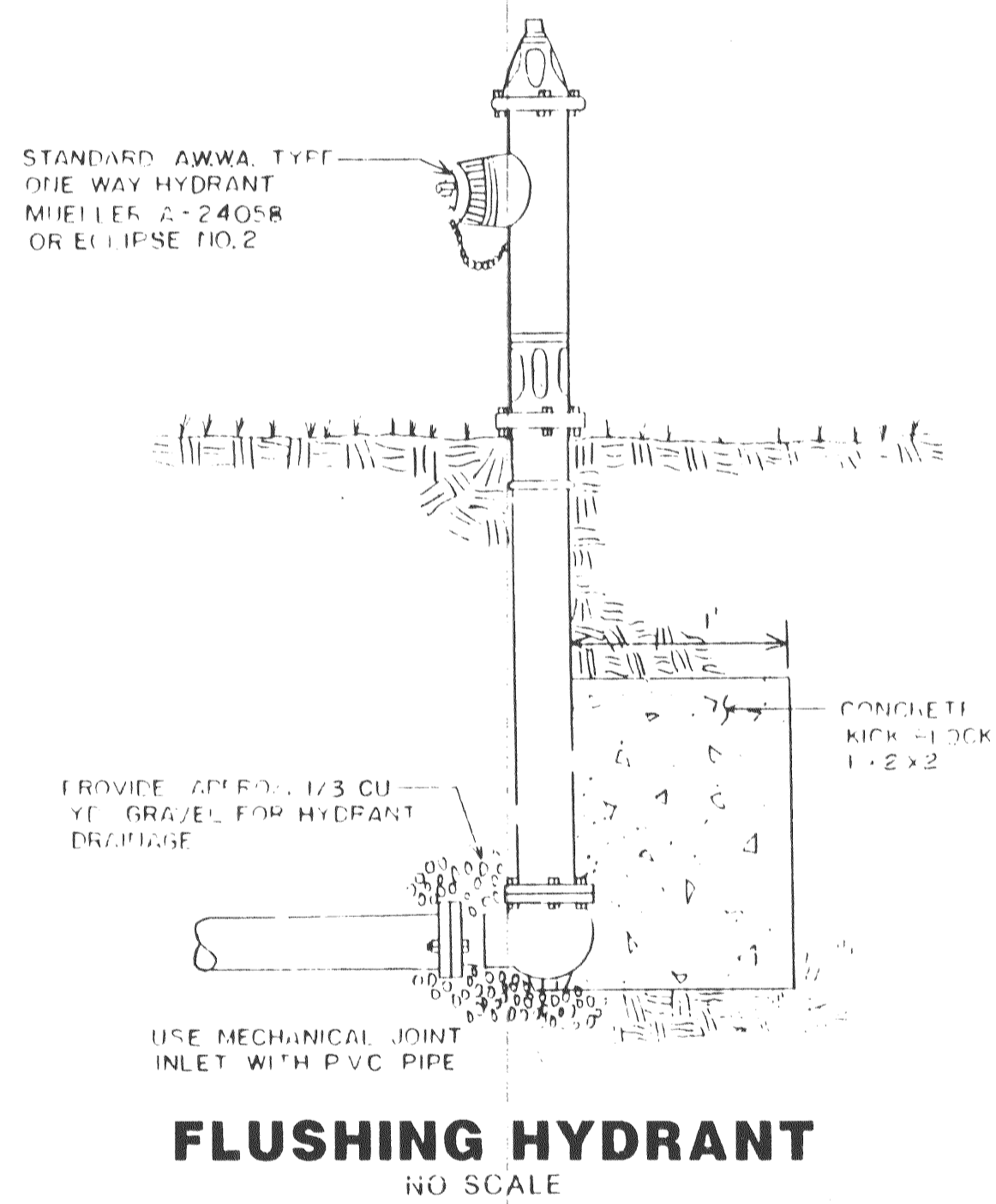


TYPICAL WATER MAIN INSTALLATION DETAILS
NO SCALE



MAIN SIZE (D. IN IN.)	MIN. THRUST BLOCK BEARING DIMENSIONS TO BEAR AGAINST UNDISTURBED EARTH				
	45° BEND	2 1/2° BEND	TEE	VALVE	CROSS
2"	.5 x 1'	.5 x 1'	.5 x 1'	.5 x 1'	.5 x 1'
4"	1 x 1'	1 x 1'	2' x 1'	2' x 1'	1' x 1'
6"	1.5 x 1'	1 x 1'	2' x 1'	2' x 1'	1' x 1'
8"	2' x 1'	1 x 1'	2' x 2.5'	2' x 2'	1' x 1.5'
10"	2' x 2.5'	1.5 x 2'	2' x 3.5'	2' x 3'	2' x 2'
12"	2' x 3.5'	1.5 x 2.5'	3' x 3.5'	3' x 3'	2' x 3'
16"	3' x 4'	2' x 3'	4' x 4.5'	3' x 4.5'	3' x 3.5'

METTS & ASSOCIATES
LAND SURVEYORS
CIVIL ENGINEERS

421 W. Terra Lane O'Fallon, MO 63366
(314) 978-5533 Fax: (314) 978-5534