

NOTE: THIS DETAIL IS FROM PWS#2

NOTES

A. INSTALLATION OF THE CASING AND CARRIER PIPES SHALL MEET THE REQUIREMENTS OF PUBLIC WATER SUPPLY DISTRICT No. 2 OF ST. CHARLES COUNTY.

B. CASING PIPES FOR ROAD AND HIGHWAY CROSSINGS SHALL BE WELDED STEEL PIPE WITH A MINIMUM WALL THICKNESS OF 3/4" NON-COATED AND SHALL HAVE A MINIMUM DIAMETER OF 10" LARGER THAN THE NOMINAL SIZE OF THE CARRIER PIPE.

C. THE CARRIER PIPE SHALL BE RESTRAINED JOINT PIPE.

FOR SANITARY SEWER BORES, SEE THE MSD DETAIL.

TYPICAL WATER BORE AND ENCASUREMENT DETAIL "H"

NOTE: THIS DETAIL IS FROM PWS#2

Buffalo box is an acceptable product to use. Tyler 562-S and 564-S are acceptable products.

NOTES

1) SEE SPECIFICATIONS FOR ADDITIONAL DETAILS FOR RECORD AND SHOPPING.

TYPICAL TRENCH SECTION DETAIL "K"

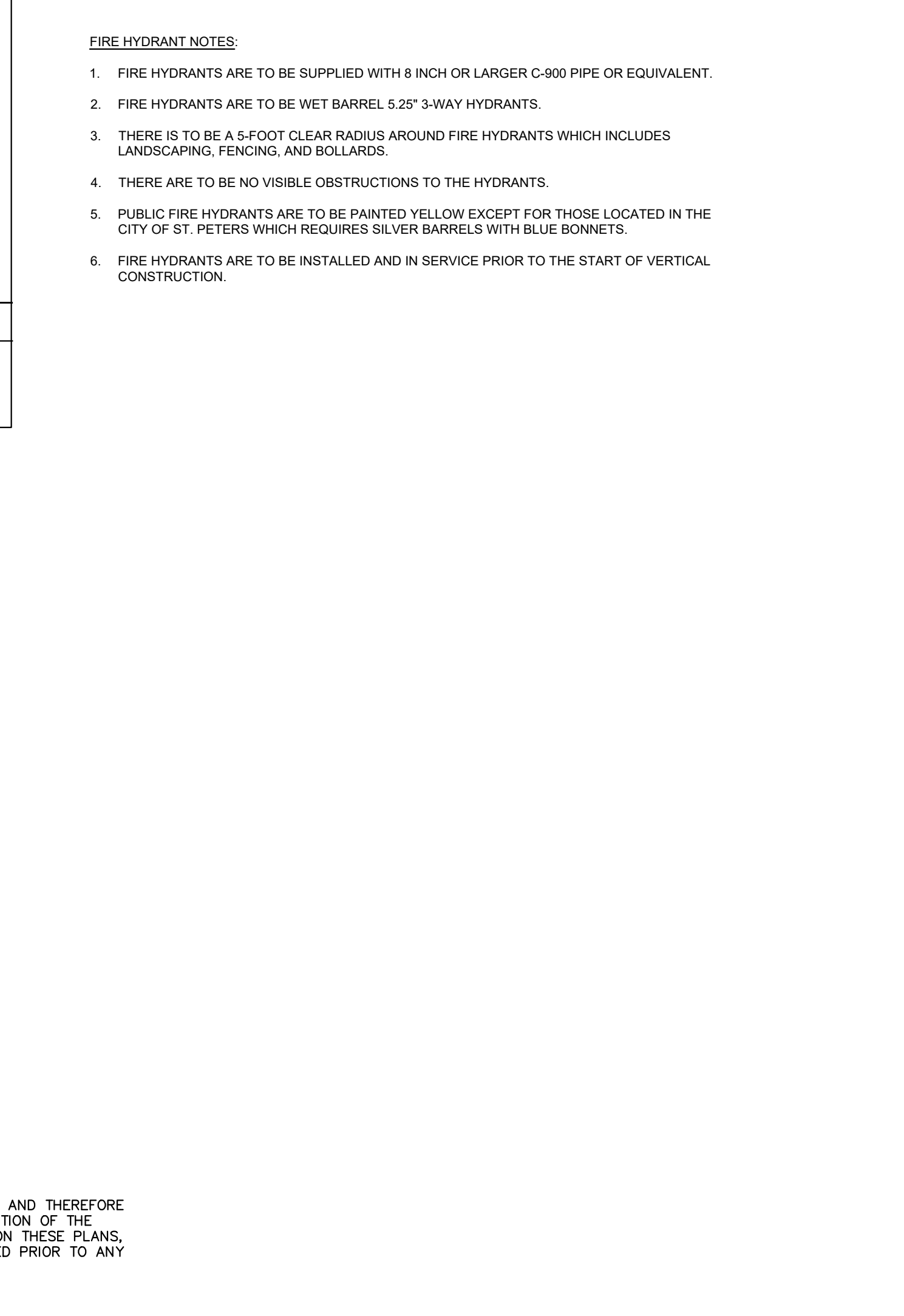
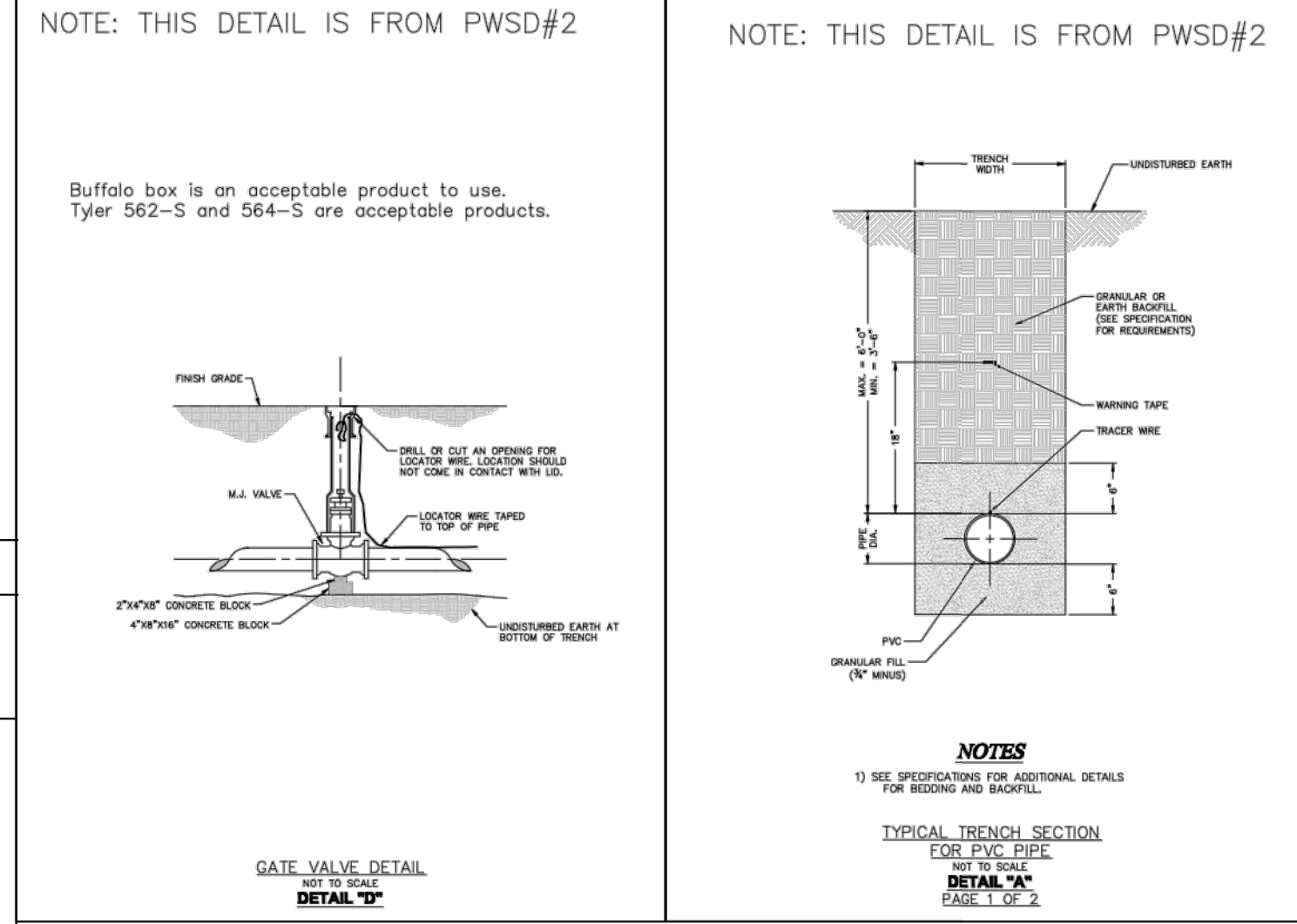
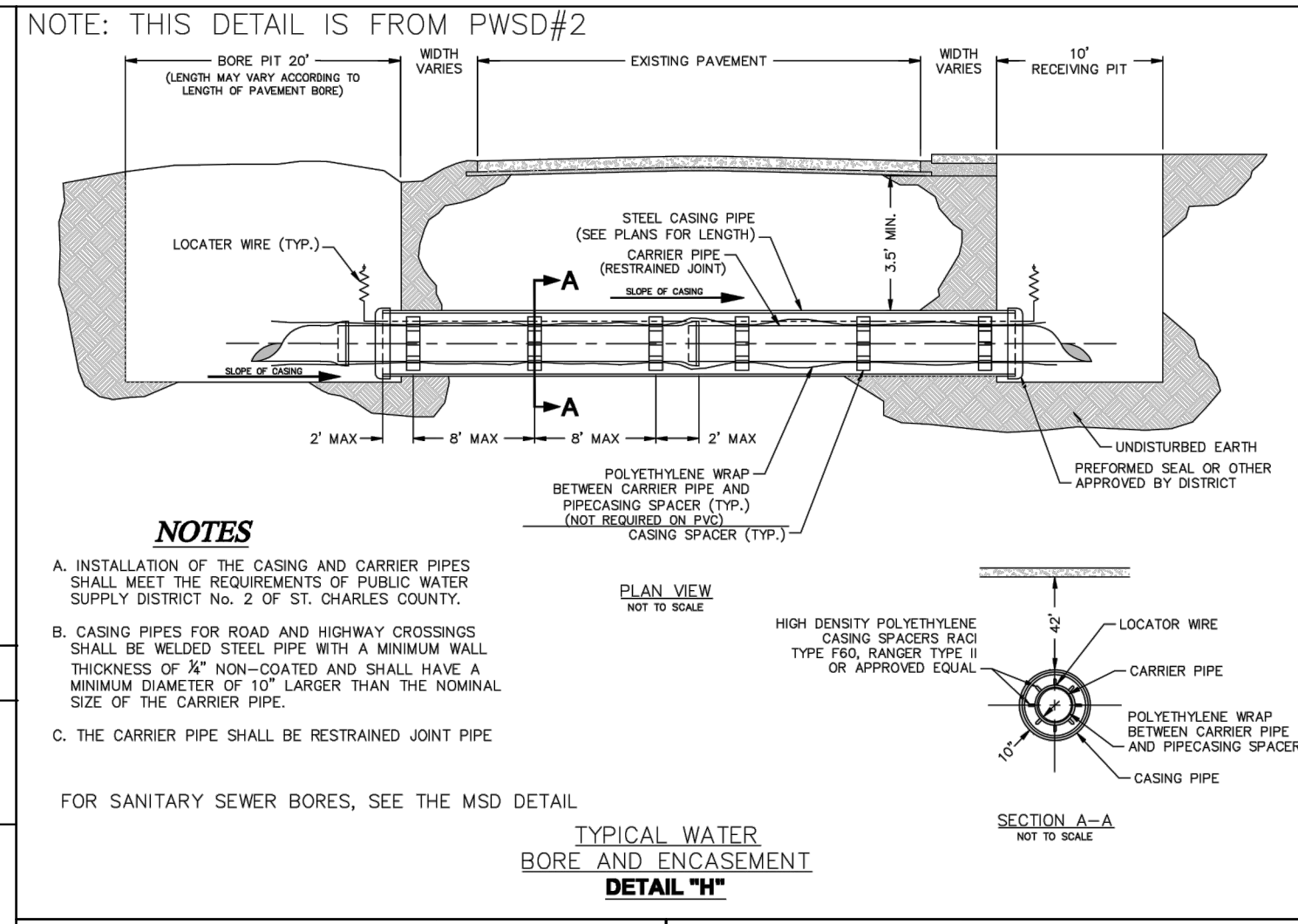
NOTE: THIS DETAIL IS FROM PWS#2

FIRE HYDRANT NOTES:

- FIRE HYDRANTS ARE TO BE SUPPLIED WITH 8 INCH OR LARGER C-900 PIPE OR EQUIVALENT.
- FIRE HYDRANTS ARE TO BE WET BARREL 5.25" 3-WAY HYDRANTS.
- THERE IS TO BE A 5-FOOT CLEAR RADIUS AROUND FIRE HYDRANTS WHICH INCLUDES LANDSCAPING, FENCING, AND BOLLARDS.
- THERE ARE TO BE NO VISIBLE OBSTRUCTIONS TO THE HYDRANTS.
- PUBLIC FIRE HYDRANTS ARE TO BE PAINTED YELLOW EXCEPT FOR THOSE LOCATED IN THE CITY OF ST. PETERS WHICH REQUIRES SILVER BARRELS WITH BLUE BONNETS.
- FIRE HYDRANTS ARE TO BE INSTALLED AND IN SERVICE PRIOR TO THE START OF VERTICAL CONSTRUCTION.

Call BEFORE you DIG TOLL FREE 1-800-344-7483 MISSOURI ONE-CALL SYSTEM, INC.

UNDERGROUND UTILITIES HAVE BEEN PLOTTED FROM AVAILABLE INFORMATION AND THEREFORE THEIR LOCATIONS SHALL BE CONSIDERED APPROXIMATE ONLY. THE VERIFICATION OF THE LOCATION OF ALL UNDERGROUND UTILITIES, EITHER SHOWN OR NOT SHOWN ON THESE PLANS, SHALL BE THE RESPONSIBILITY OF THE CONTRACTOR, AND SHALL BE LOCATED PRIOR TO ANY GRADING AND/OR CONSTRUCTION OF IMPROVEMENTS.



NOTE: THIS DETAIL IS FROM PWS#2

NOTES

A. INSTALLATION OF THE CASING AND CARRIER PIPES SHALL MEET THE REQUIREMENTS OF PUBLIC WATER SUPPLY DISTRICT No. 2 OF ST. CHARLES COUNTY.

B. CASING PIPES FOR ROAD AND HIGHWAY CROSSINGS SHALL BE WELDED STEEL PIPE WITH A MINIMUM WALL THICKNESS OF 3/4" NON-COATED AND SHALL HAVE A MINIMUM DIAMETER OF 10" LARGER THAN THE NOMINAL SIZE OF THE CARRIER PIPE.

C. THE CARRIER PIPE SHALL BE RESTRAINED JOINT PIPE.

FOR SANITARY SEWER BORES, SEE THE MSD DETAIL.

TYPICAL WATER BORE AND ENCASUREMENT DETAIL "H"

NOTE: THIS DETAIL IS FROM PWS#2

Buffalo box is an acceptable product to use. Tyler 562-S and 564-S are acceptable products.

NOTES

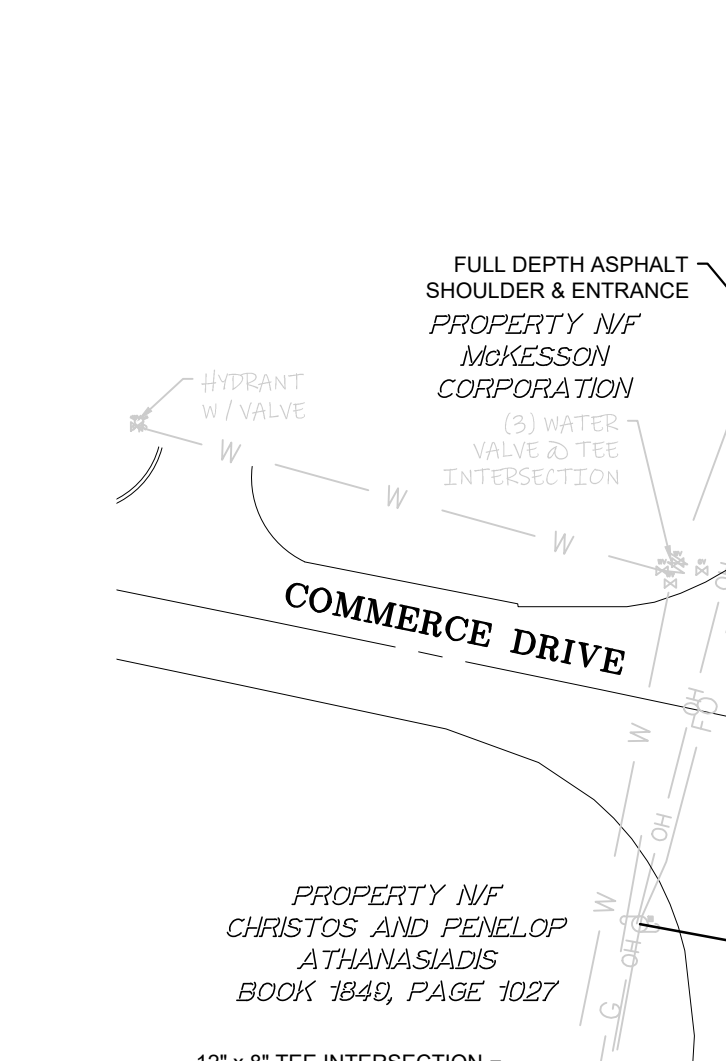
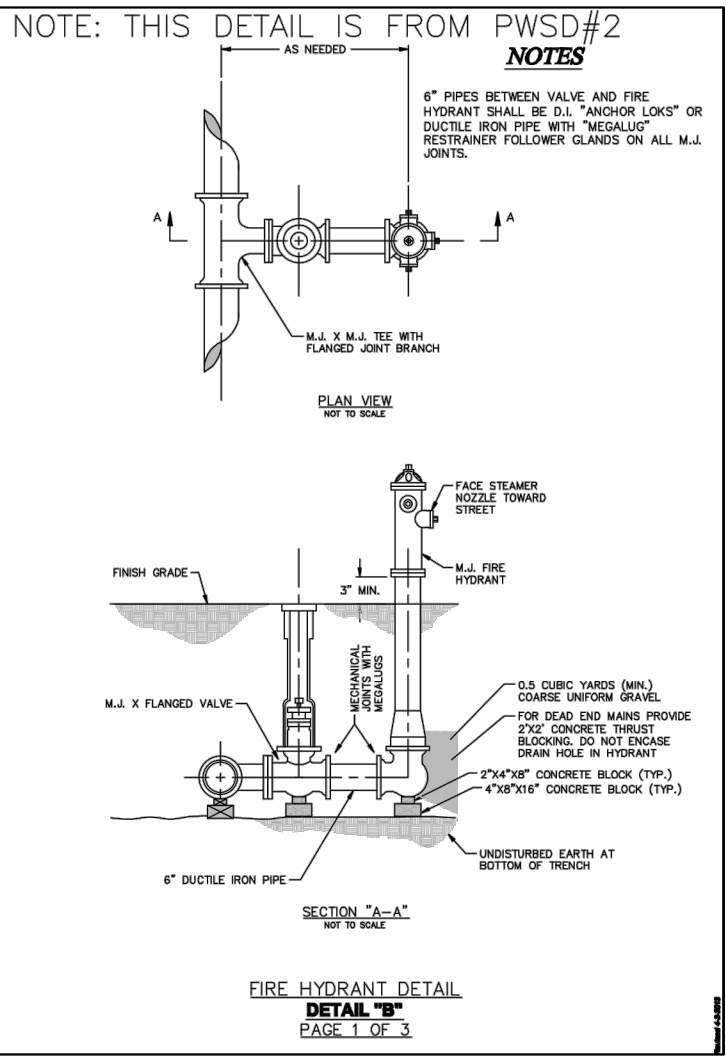
1) SEE SPECIFICATIONS FOR ADDITIONAL DETAILS FOR RECORD AND SHOPPING.

TYPICAL TRENCH SECTION DETAIL "K"

NOTE: THIS DETAIL IS FROM PWS#2

FIRE HYDRANT NOTES:

- FIRE HYDRANTS ARE TO BE SUPPLIED WITH 8 INCH OR LARGER C-900 PIPE OR EQUIVALENT.
- FIRE HYDRANTS ARE TO BE WET BARREL 5.25" 3-WAY HYDRANTS.
- THERE IS TO BE A 5-FOOT CLEAR RADIUS AROUND FIRE HYDRANTS WHICH INCLUDES LANDSCAPING, FENCING, AND BOLLARDS.
- THERE ARE TO BE NO VISIBLE OBSTRUCTIONS TO THE HYDRANTS.
- PUBLIC FIRE HYDRANTS ARE TO BE PAINTED YELLOW EXCEPT FOR THOSE LOCATED IN THE CITY OF ST. PETERS WHICH REQUIRES SILVER BARRELS WITH BLUE BONNETS.
- FIRE HYDRANTS ARE TO BE INSTALLED AND IN SERVICE PRIOR TO THE START OF VERTICAL CONSTRUCTION.



NOTE: THIS DETAIL IS FROM PWS#2

NOTES

A. INSTALLATION OF THE CASING AND CARRIER PIPES SHALL MEET THE REQUIREMENTS OF PUBLIC WATER SUPPLY DISTRICT No. 2 OF ST. CHARLES COUNTY.

B. CASING PIPES FOR ROAD AND HIGHWAY CROSSINGS SHALL BE WELDED STEEL PIPE WITH A MINIMUM WALL THICKNESS OF 3/4" NON-COATED AND SHALL HAVE A MINIMUM DIAMETER OF 10" LARGER THAN THE NOMINAL SIZE OF THE CARRIER PIPE.

C. THE CARRIER PIPE SHALL BE RESTRAINED JOINT PIPE.

FOR SANITARY SEWER BORES, SEE THE MSD DETAIL.

TYPICAL WATER BORE AND ENCASUREMENT DETAIL "H"

NOTE: THIS DETAIL IS FROM PWS#2

Buffalo box is an acceptable product to use. Tyler 562-S and 564-S are acceptable products.

NOTES

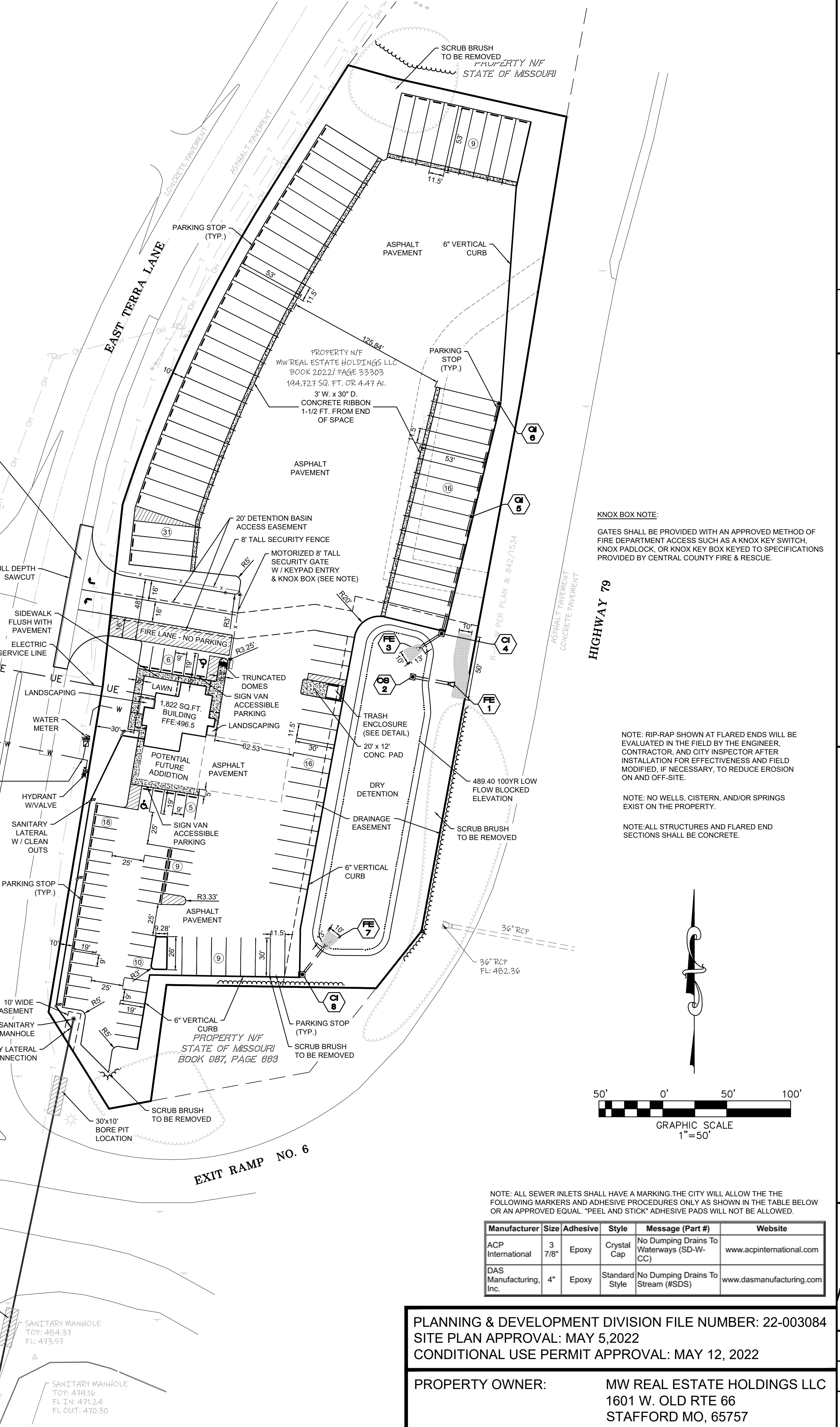
1) SEE SPECIFICATIONS FOR ADDITIONAL DETAILS FOR RECORD AND SHOPPING.

TYPICAL TRENCH SECTION DETAIL "K"

NOTE: THIS DETAIL IS FROM PWS#2

FIRE HYDRANT NOTES:

- FIRE HYDRANTS ARE TO BE SUPPLIED WITH 8 INCH OR LARGER C-900 PIPE OR EQUIVALENT.
- FIRE HYDRANTS ARE TO BE WET BARREL 5.25" 3-WAY HYDRANTS.
- THERE IS TO BE A 5-FOOT CLEAR RADIUS AROUND FIRE HYDRANTS WHICH INCLUDES LANDSCAPING, FENCING, AND BOLLARDS.
- THERE ARE TO BE NO VISIBLE OBSTRUCTIONS TO THE HYDRANTS.
- PUBLIC FIRE HYDRANTS ARE TO BE PAINTED YELLOW EXCEPT FOR THOSE LOCATED IN THE CITY OF ST. PETERS WHICH REQUIRES SILVER BARRELS WITH BLUE BONNETS.
- FIRE HYDRANTS ARE TO BE INSTALLED AND IN SERVICE PRIOR TO THE START OF VERTICAL CONSTRUCTION.



NOTE: THIS DETAIL IS FROM PWS#2

NOTES

A. INSTALLATION OF THE CASING AND CARRIER PIPES SHALL MEET THE REQUIREMENTS OF PUBLIC WATER SUPPLY DISTRICT No. 2 OF ST. CHARLES COUNTY.

B. CASING PIPES FOR ROAD AND HIGHWAY CROSSINGS SHALL BE WELDED STEEL PIPE WITH A MINIMUM WALL THICKNESS OF 3/4" NON-COATED AND SHALL HAVE A MINIMUM DIAMETER OF 10" LARGER THAN THE NOMINAL SIZE OF THE CARRIER PIPE.

C. THE CARRIER PIPE SHALL BE RESTRAINED JOINT PIPE.

FOR SANITARY SEWER BORES, SEE THE MSD DETAIL.

TYPICAL WATER BORE AND ENCASUREMENT DETAIL "H"

NOTE: THIS DETAIL IS FROM PWS#2

Buffalo box is an acceptable product to use. Tyler 562-S and 564-S are acceptable products.

NOTES

1) SEE SPECIFICATIONS FOR ADDITIONAL DETAILS FOR RECORD AND SHOPPING.

TYPICAL TRENCH SECTION DETAIL "K"

NOTE: THIS DETAIL IS FROM PWS#2

FIRE HYDRANT NOTES:

- FIRE HYDRANTS ARE TO BE SUPPLIED WITH 8 INCH OR LARGER C-900 PIPE OR EQUIVALENT.
- FIRE HYDRANTS ARE TO BE WET BARREL 5.25" 3-WAY HYDRANTS.
- THERE IS TO BE A 5-FOOT CLEAR RADIUS AROUND FIRE HYDRANTS WHICH INCLUDES LANDSCAPING, FENCING, AND BOLLARDS.
- THERE ARE TO BE NO VISIBLE OBSTRUCTIONS TO THE HYDRANTS.
- PUBLIC FIRE HYDRANTS ARE TO BE PAINTED YELLOW EXCEPT FOR THOSE LOCATED IN THE CITY OF ST. PETERS WHICH REQUIRES SILVER BARRELS WITH BLUE BONNETS.
- FIRE HYDRANTS ARE TO BE INSTALLED AND IN SERVICE PRIOR TO THE START OF VERTICAL CONSTRUCTION.

DATE	DESCRIPTION
08-12-2022	1ST SUBMITTAL
09-30-2022	GRADING PLAN SUBMITTAL
10-18-2022	2ND SUBMITTAL
10-27-2022	2ND GRADING PLAN SUBMITTAL
11-03-2022	MODIFIED SUBMITTAL
02-07-2023	CITY COMMENTS

CONSTRUCTION PLANS

TRANSLAND TRUCKING

3480 E. TERRA LANE

O'FALLON MO, 63366

SITE PLAN

ST. CHARLES ENGINEERING & SURVEYING, INC.

801 S. FIFTH STREET, SUITE 202

ST. CHARLES, MO 63301

TEL: (636) 947-0607 FAX: (636) 947-2448

ST. CHARLES ENGINEERING AND SURVEYING, INC. IS AN EQUAL OPPORTUNITY EMPLOYER. MISSOURI STATE CERTIFICATE OF AUTHORITY - 001647 & 000379

PLANNING & DEVELOPMENT DIVISION FILE NUMBER: 22-003084

SITE PLAN APPROVAL: MAY 5, 2022

CONDITIONAL USE PERMIT APPROVAL: MAY 12, 2022

PROPERTY OWNER: MW REAL ESTATE HOLDINGS LLC
1601 W. OLD RTE 66
STAFFORD MO, 65757

ORDER NO. 2022032

DATE 02/07/2023

3

2022032 - TRANSLAND PROPERTY\CAD\2022032 SITE PLAN.dwg 02/07/23-9:04am