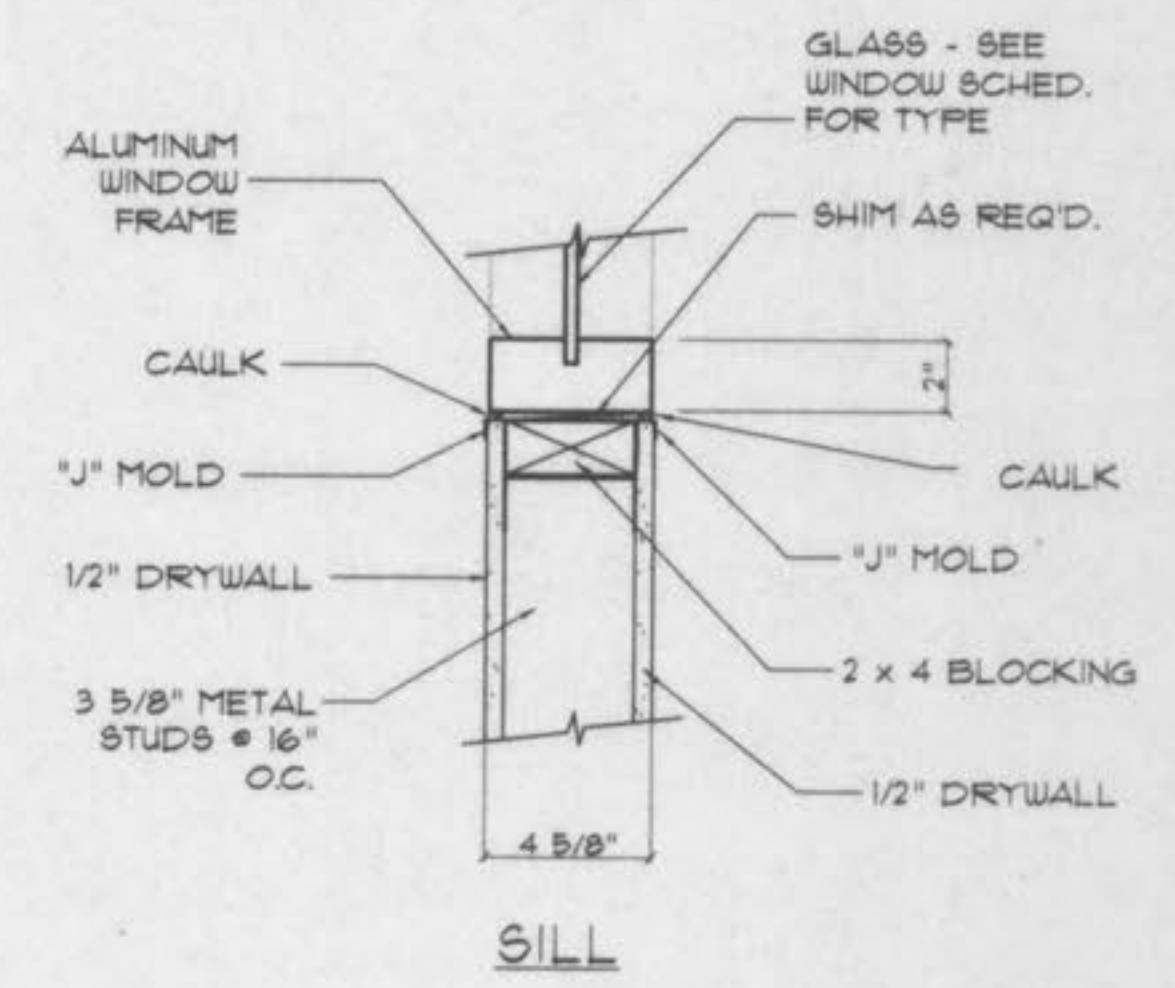
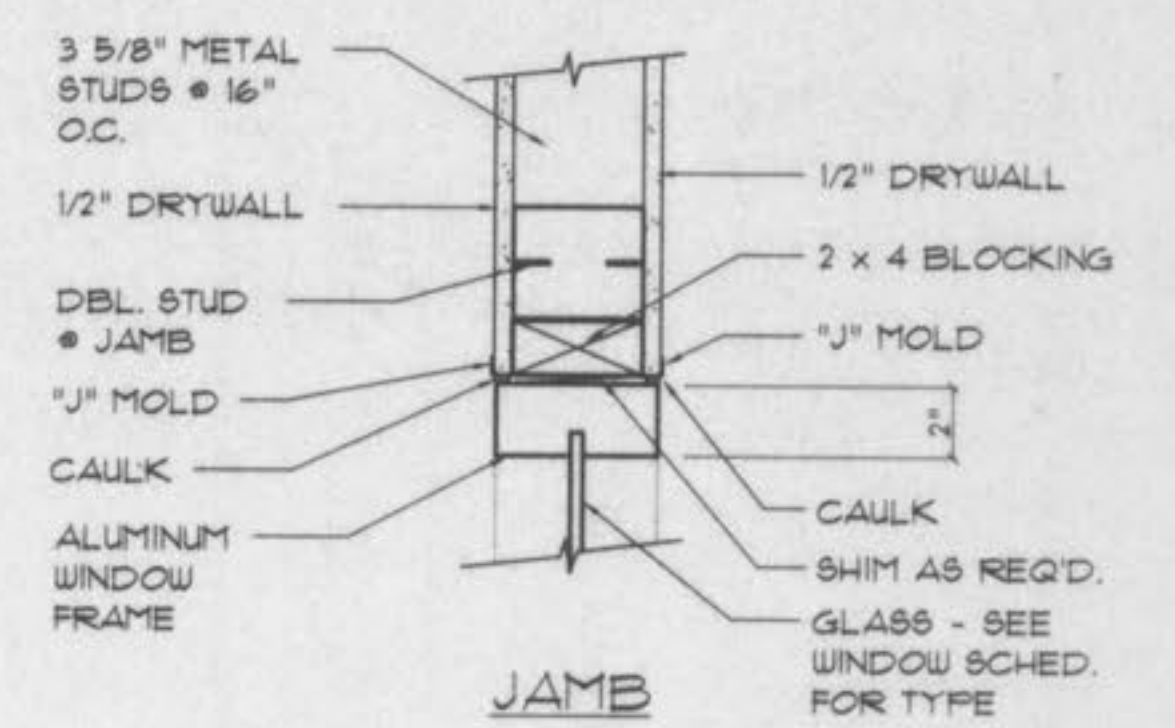
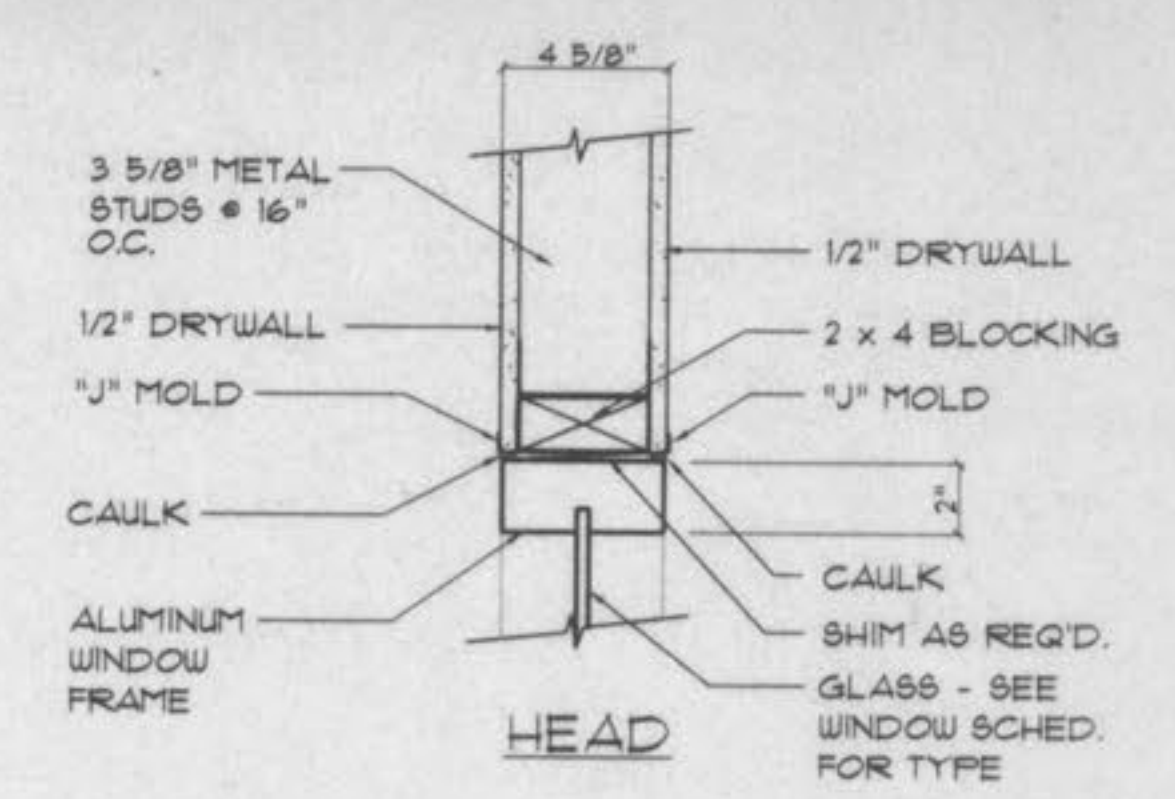
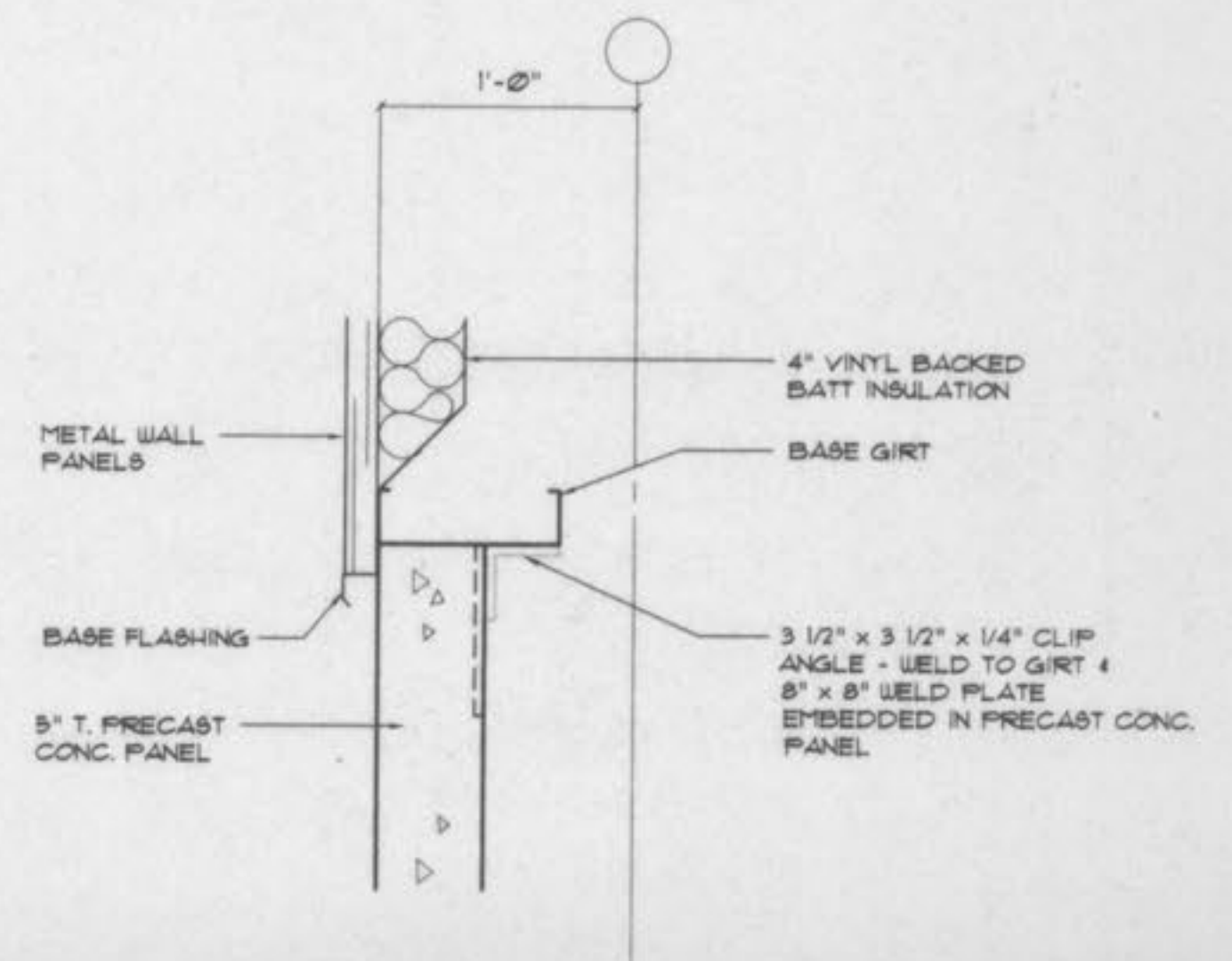


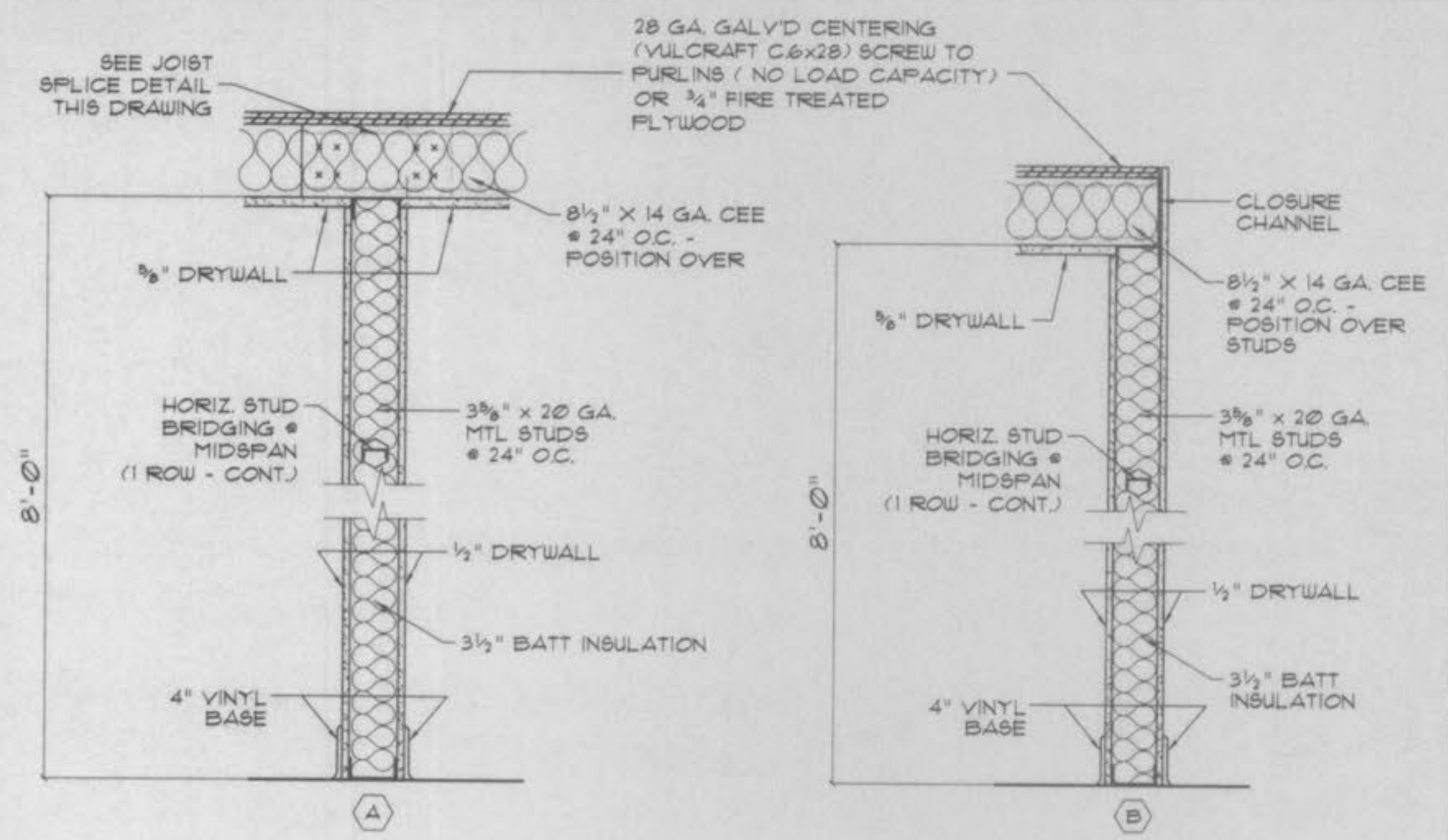
3
2/4 SECTION THRU WEST ENDWALL
SCALE: 3/4" = 1'-0"



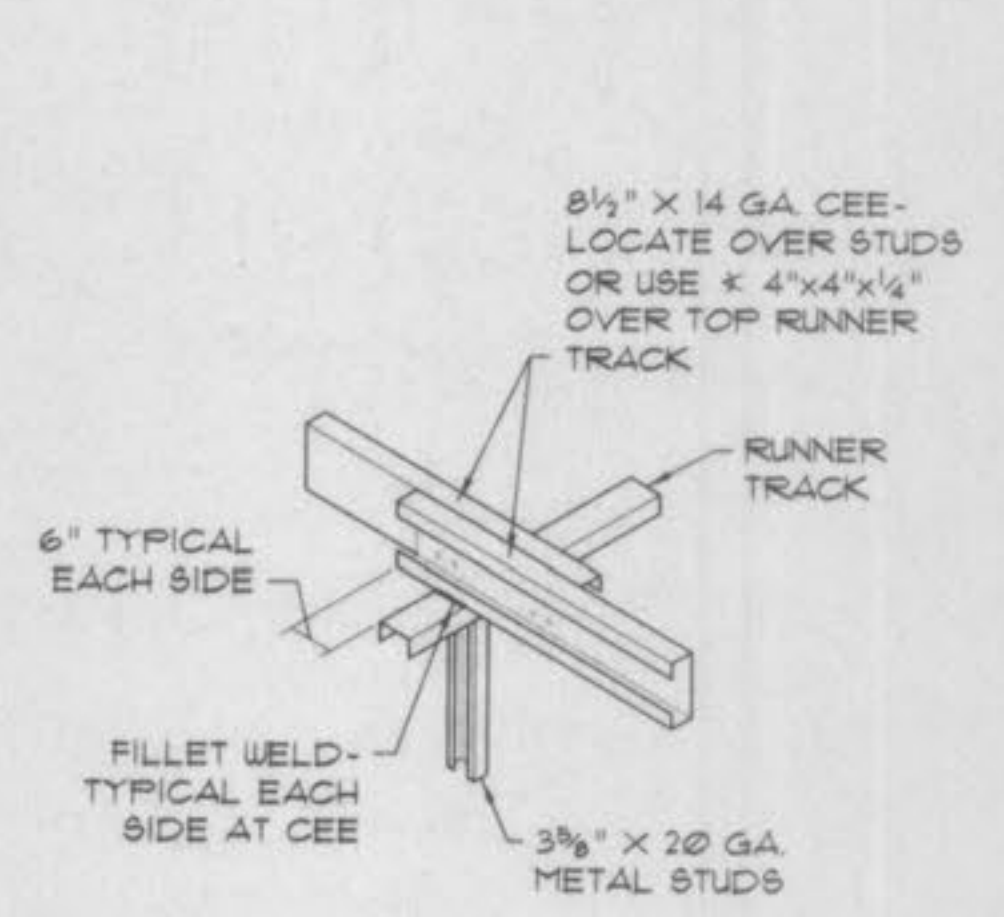
INTERIOR WINDOW DETAIL
SCALE: 1 1/2" = 1'-0"



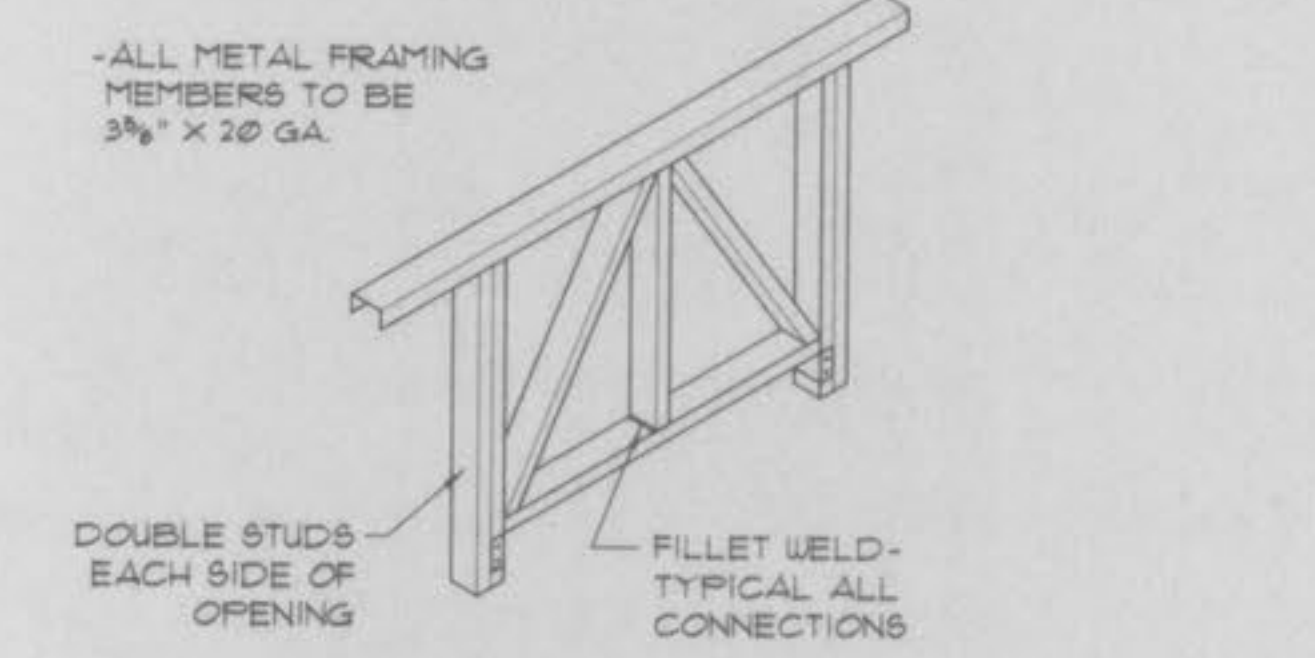
3
3/4 TOP OF PRECAST DETAIL
SCALE: 1 1/2" = 1'-0"



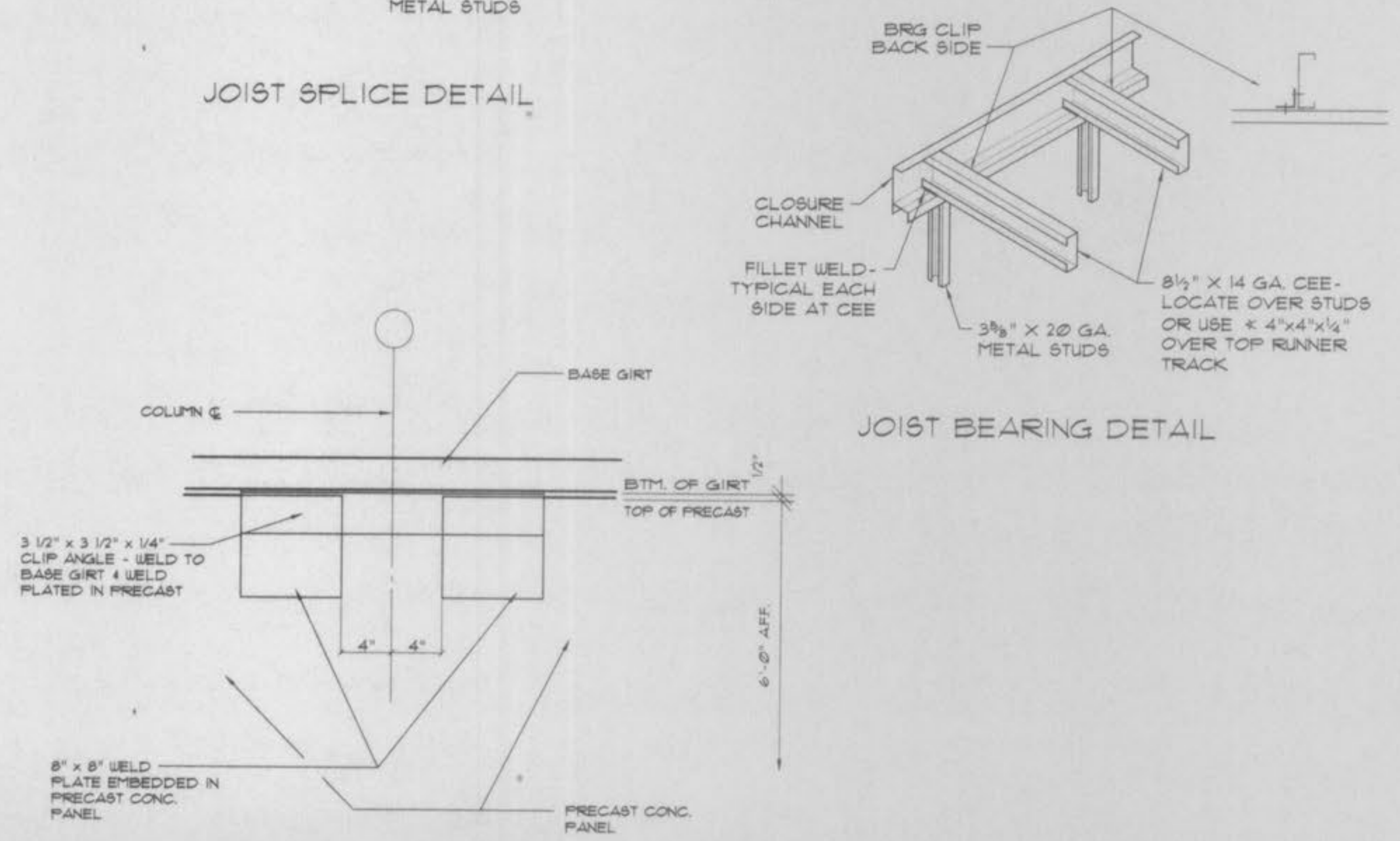
PARTITION TYPES
NTS.



JOIST SPLICE DETAIL



TYPICAL HEADER DETAIL



4
3/4 WELD PLATE DETAIL
SCALE: 1 1/2" = 1'-0"

NO.	DESCRIPTION	DATE
REVISIONS		



STRUCTURAL SYSTEMS, INC.

DESIGN CONTRACTORS



(314) 966-5920
816 South Kirkwood Road
St. Louis, Missouri 63122

Proposed Building for:
TRUE & TRUE
Hoff Road
O'Fallon, MO 63366
(636) 272-1100

WALL SECTIONS

DRAWN	RRR
CHECKED	
SCALE	AS NOTED
ISSUE DATE	06/13/01
SSI JOB NUMBER	01-005
DRAWING NUMBER	

C:\Program Files\Autodesk\AutoCAD 2000\Drawings\01-005\01-005-5.dwg Tue Jun 19 14:43:56 2001