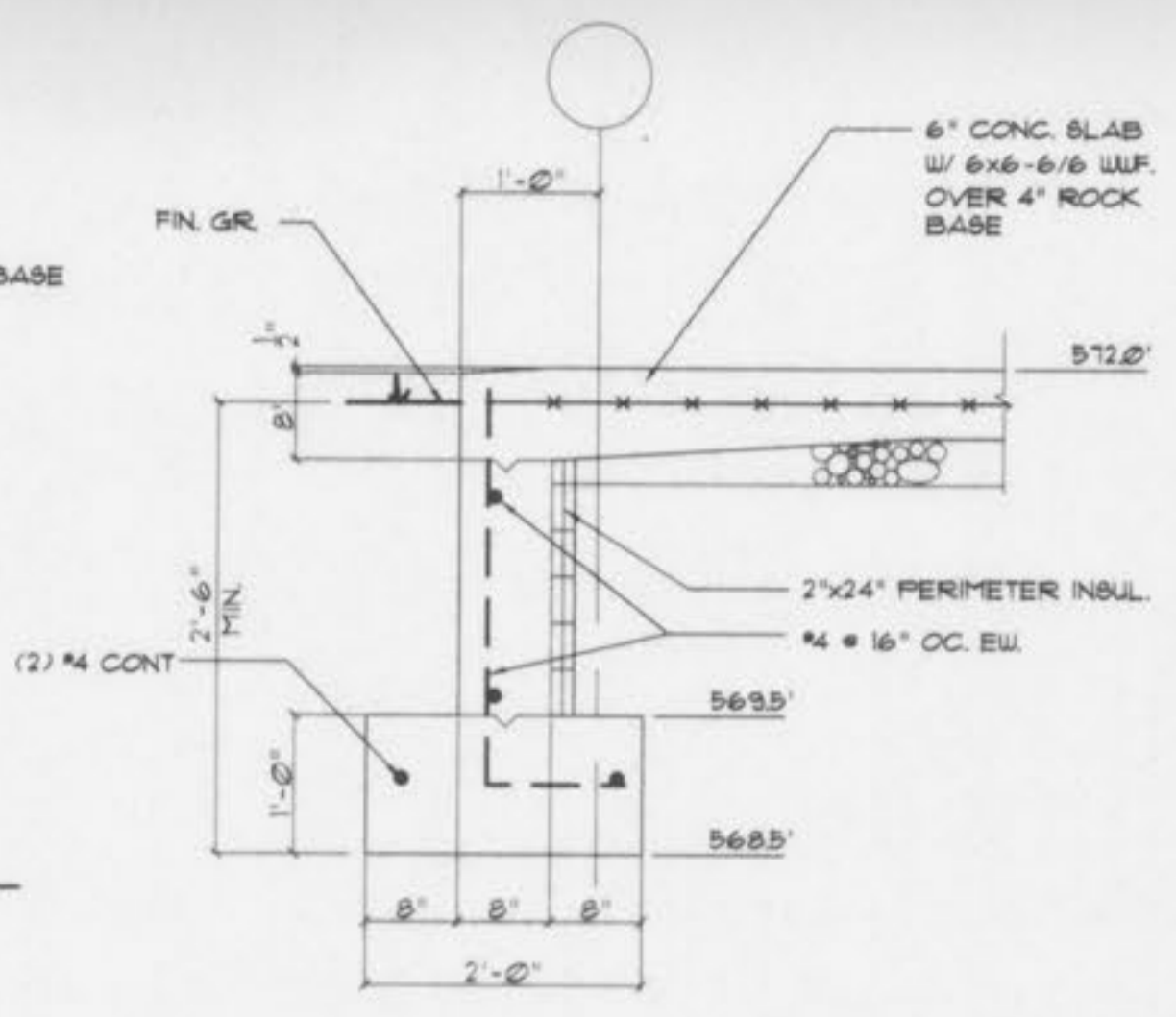
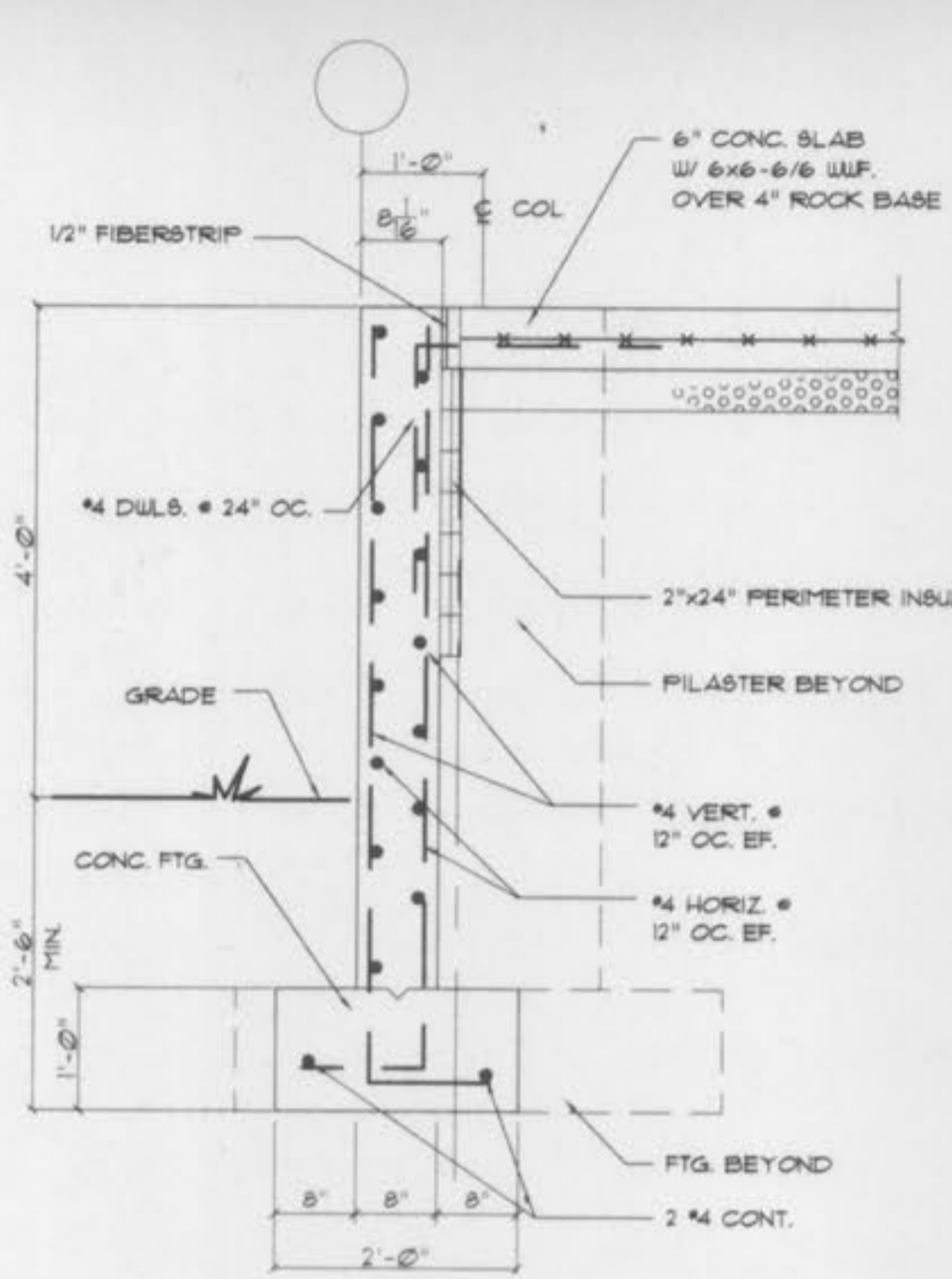


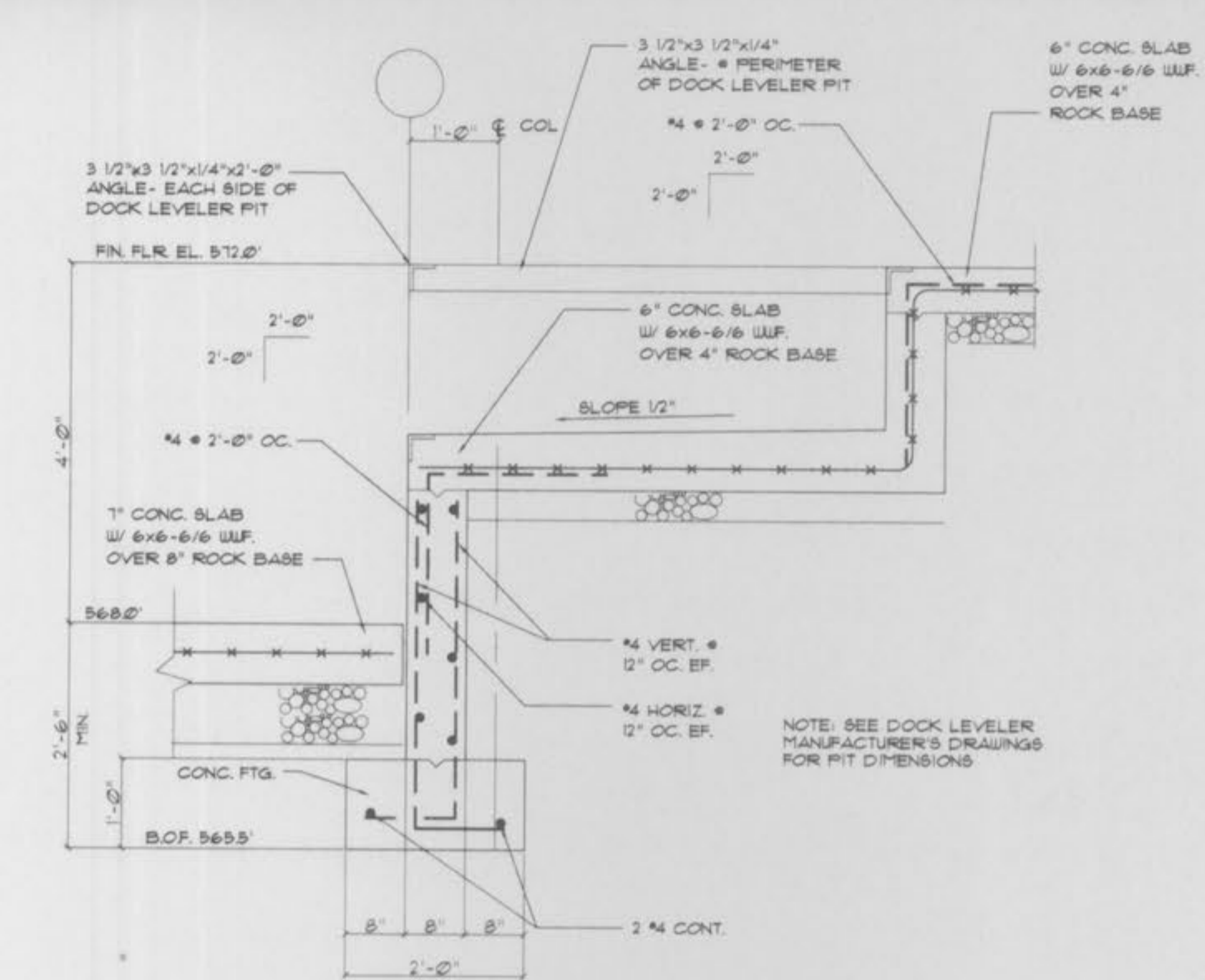
1
13
TYP. PILASTER DETAIL @ PRECAST PANEL
SCALE: 3/4" = 1'-0"



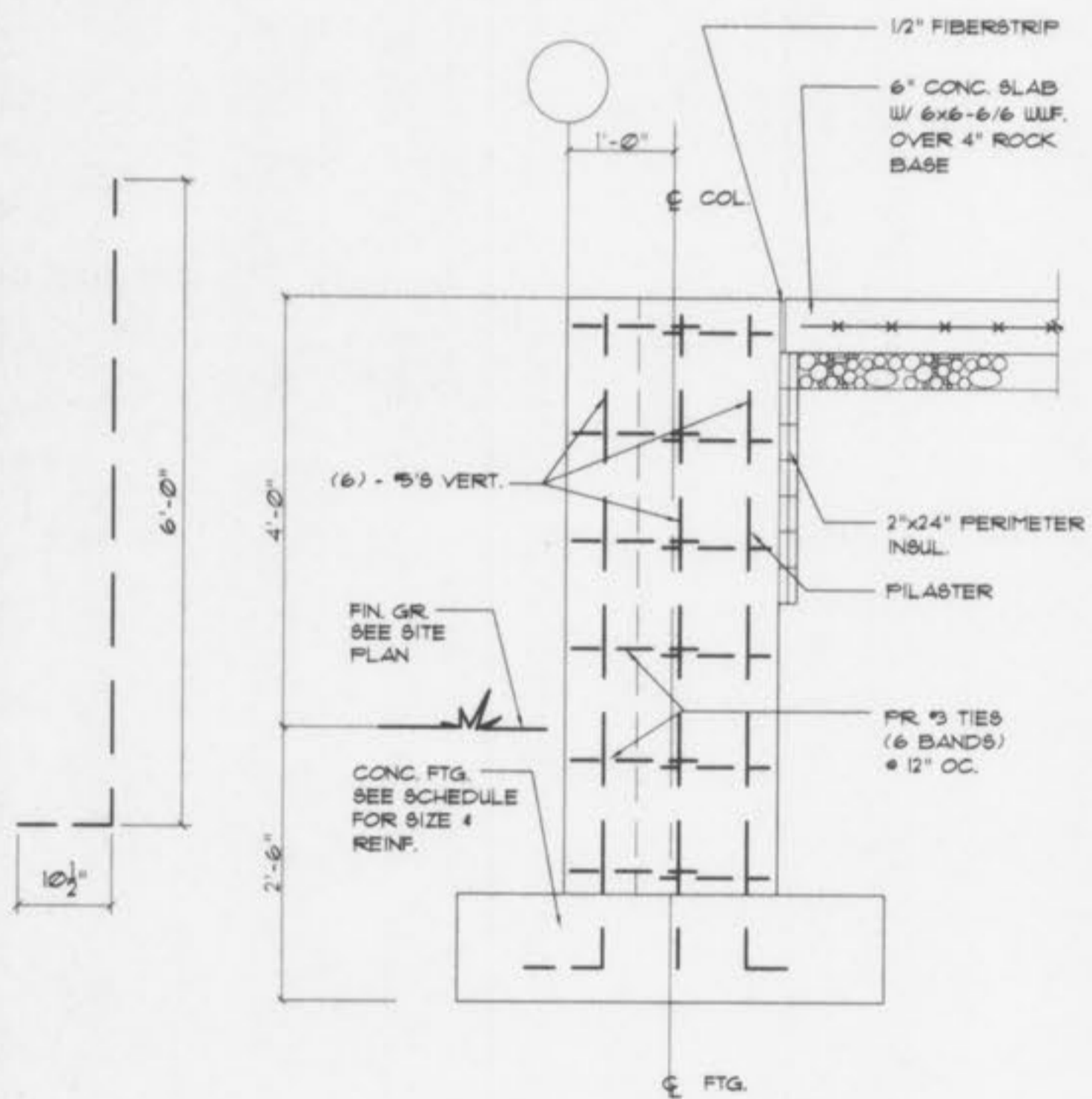
2
13
SECTION @ OH. DOOR (MAN DOOR SIM.)
SCALE: 3/4" = 1'-0"



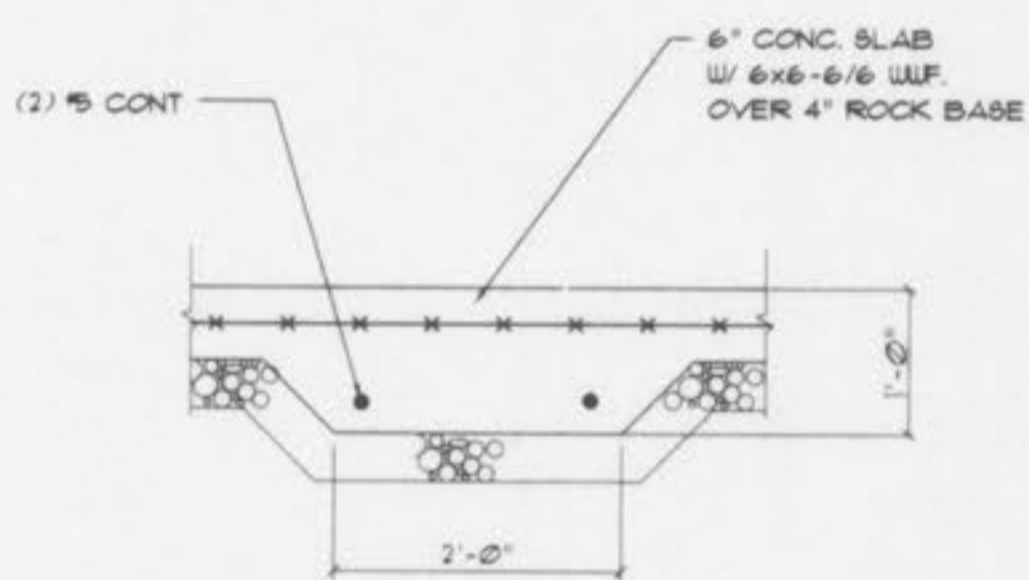
3
13
SECTION THRU DOCK WALL
SCALE: 3/4" = 1'-0"



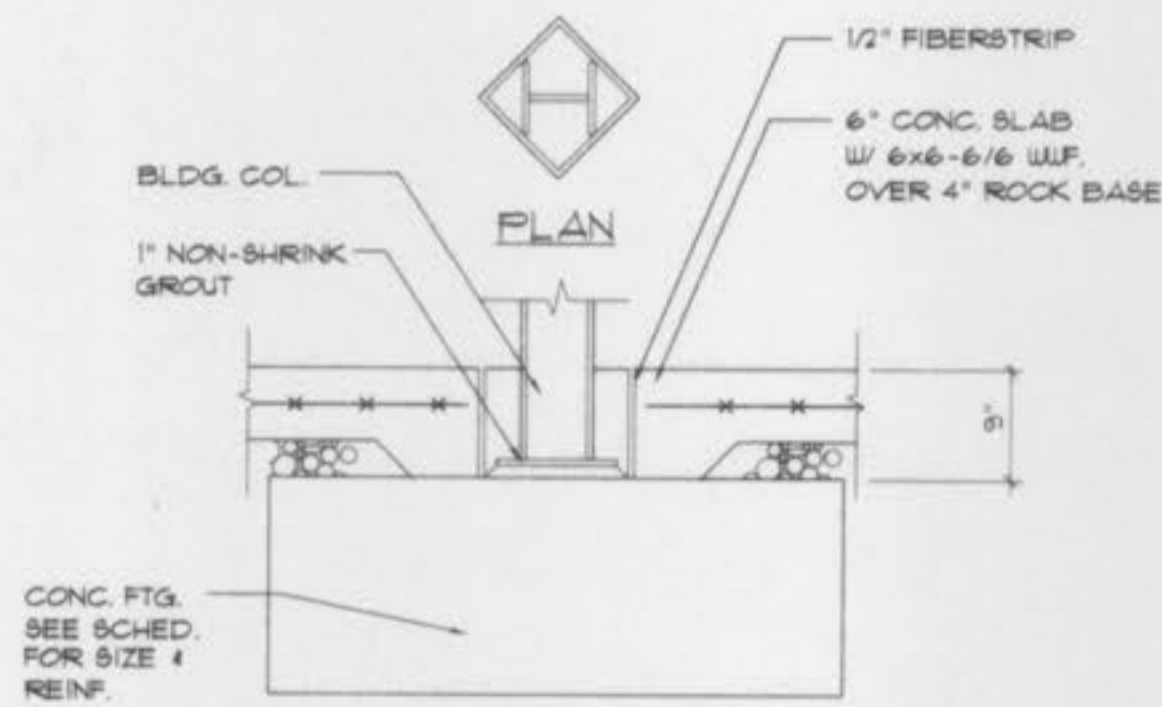
4
13
SECTION @ DOCK LEVELER PIT
SCALE: 3/4" = 1'-0"



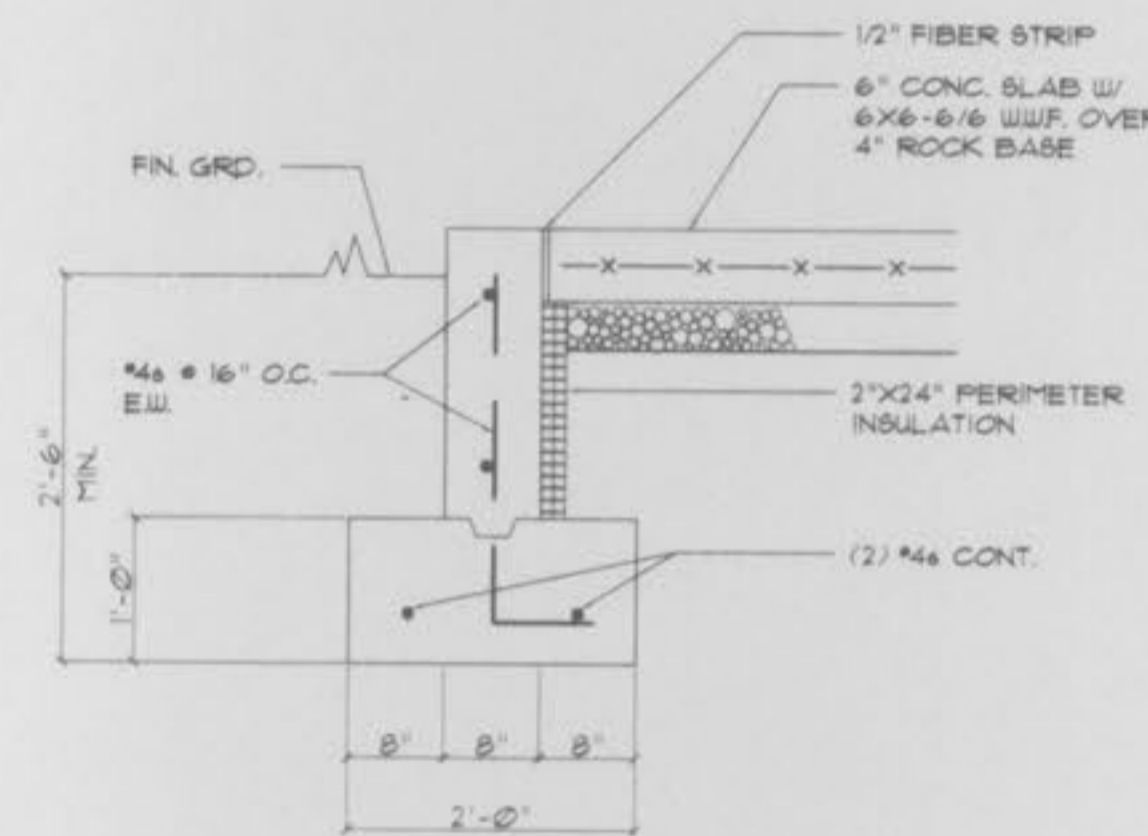
5
13
TYP. PILASTER DETAIL @ DOCK WALL
SCALE: 3/4" = 1'-0"



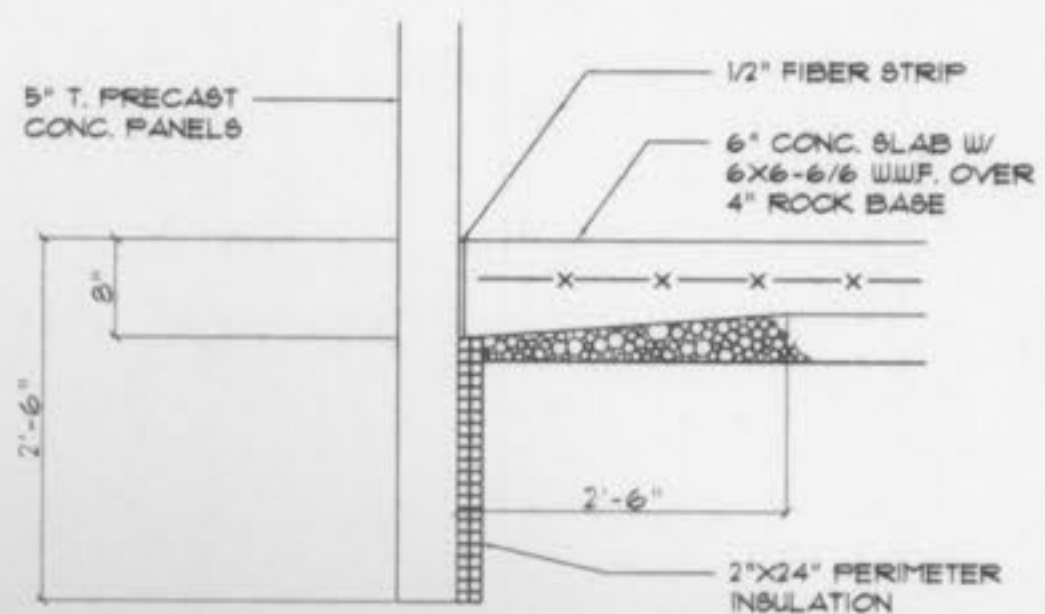
7
13
THICKENED SLAB DETAIL
SCALE: 3/4" = 1'-0"



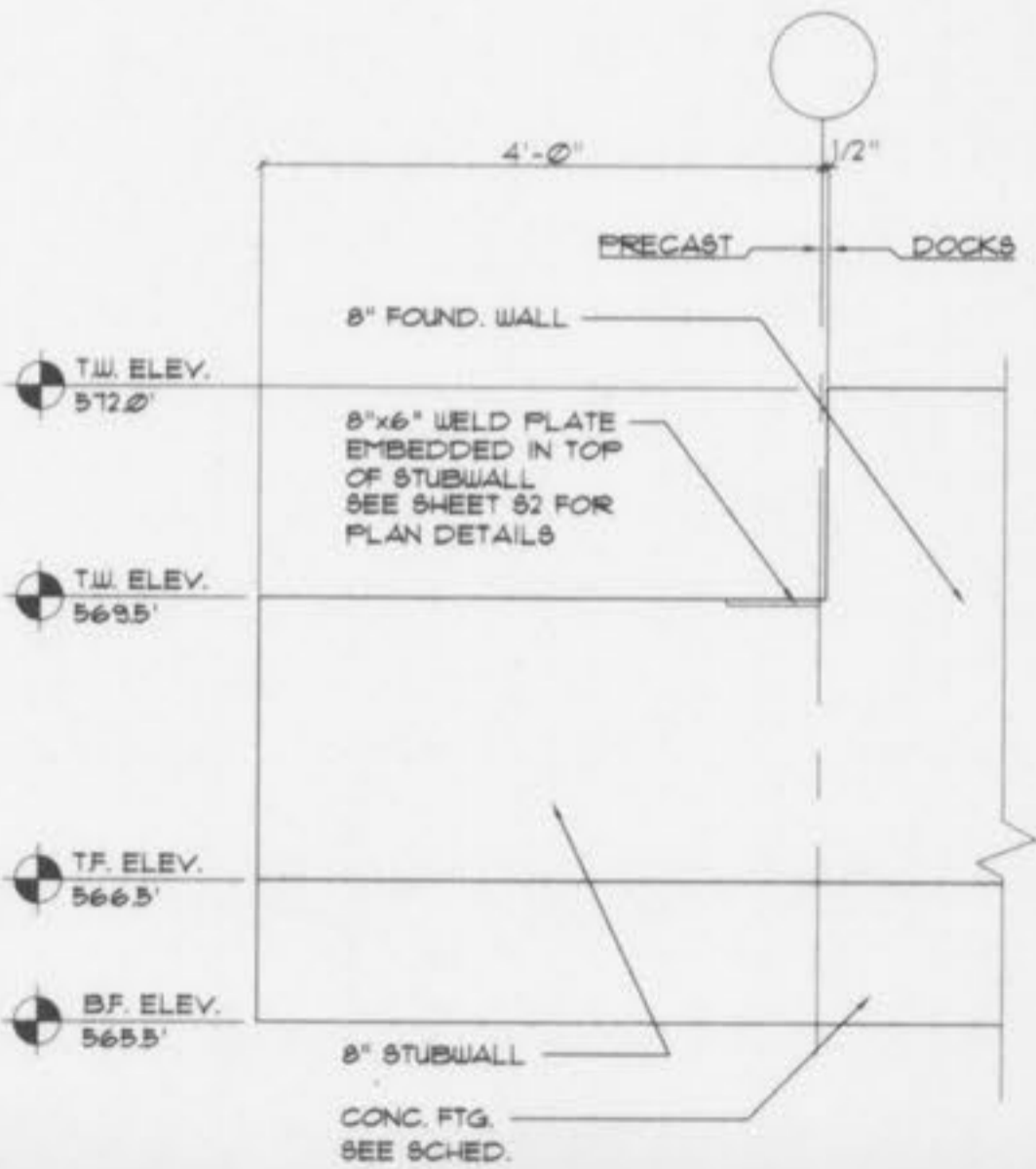
8
13
TYPICAL INTERIOR COL.
SCALE: 3/4" = 1'-0"



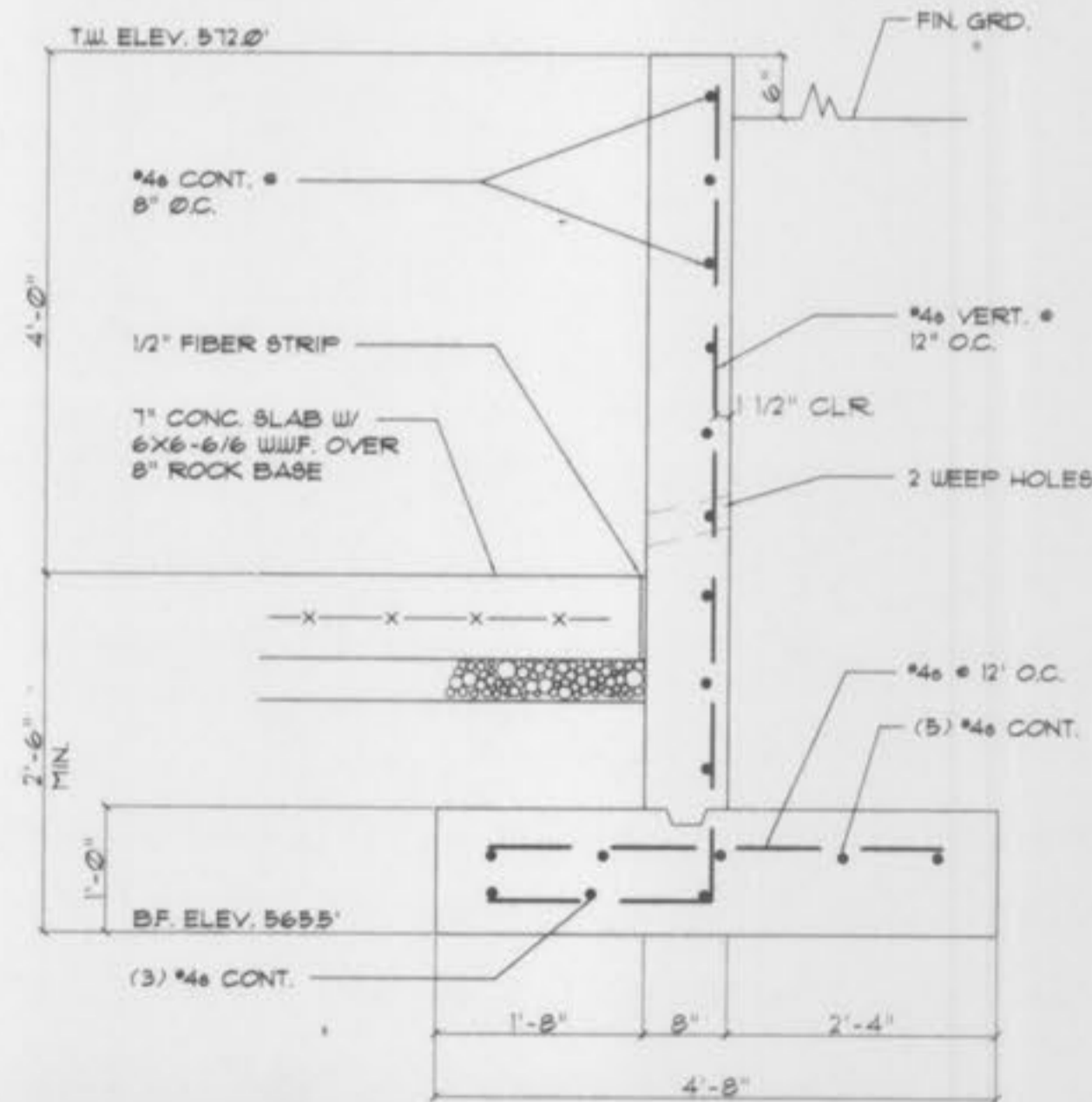
11
13
WALL DETAIL
SCALE: 3/4" = 1'-0"



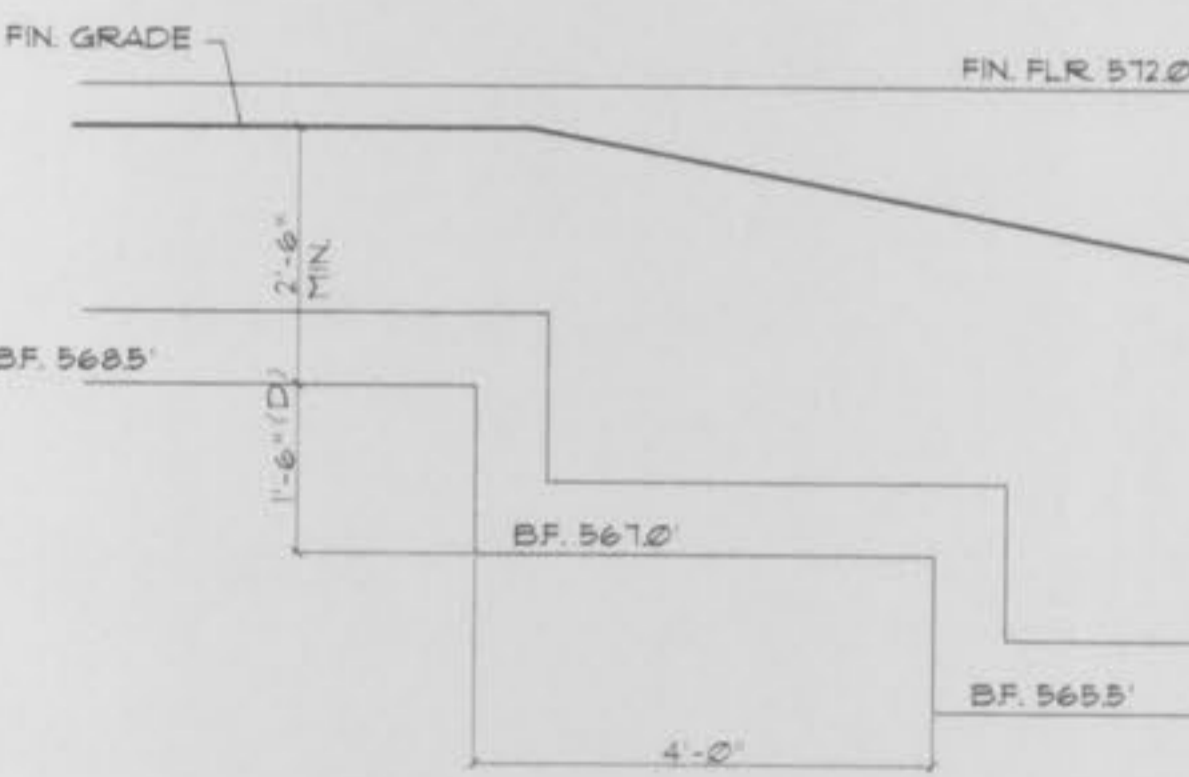
6
13
TYP. PERIMETER SLAB DETAIL
SCALE: 3/4" = 1'-0"



9
13
ELEV. @ STEPPED WALL @ EACH END OF TRUCK DOCKS F-1, M-1
SCALE: 3/4" = 1'-0"



10
13
SECTION @ RETAINING WALL (TYP. EA. END OF TRUCK DOCK)
SCALE: 3/4" = 1'-0"



12
13
STEPPED FOOTING DETAIL
SCALE: N.T.S.

NO.	DESCRIPTION	DATE
REVISIONS		



STRUCTURAL SYSTEMS, INC.

DESIGN CONTRACTORS

(314) 966-5920
816 South Kirkwood Road
St. Louis, Missouri 63122

Proposed Building for:

TRUE & TRUE

Hoff Road
O'Fallon, MO 63366
(636) 272-7100

FOUNDATION DETAILS

DRAWN	R.R.R.
CHECKED	R.F.K.
SCALE	AS NOTED
DATE	06/13/01
S&I JOB NUMBER	01-005
DRAWING NUMBER	9 of 9

C:\Program Files\Autodesk\AutoCAD 2000\Drawings\13\1305-9.dwg Tue Jun 19 15:56:12 2001