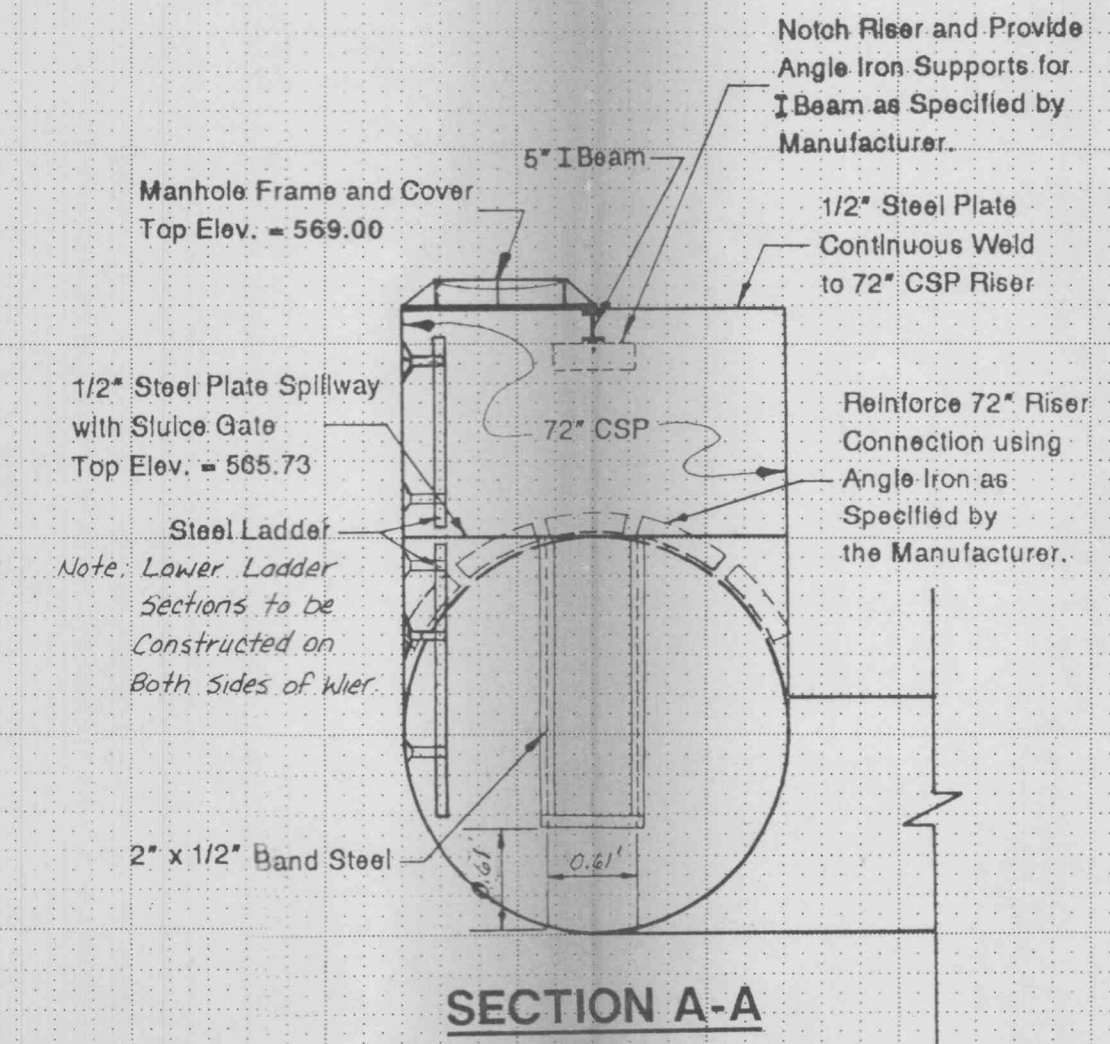
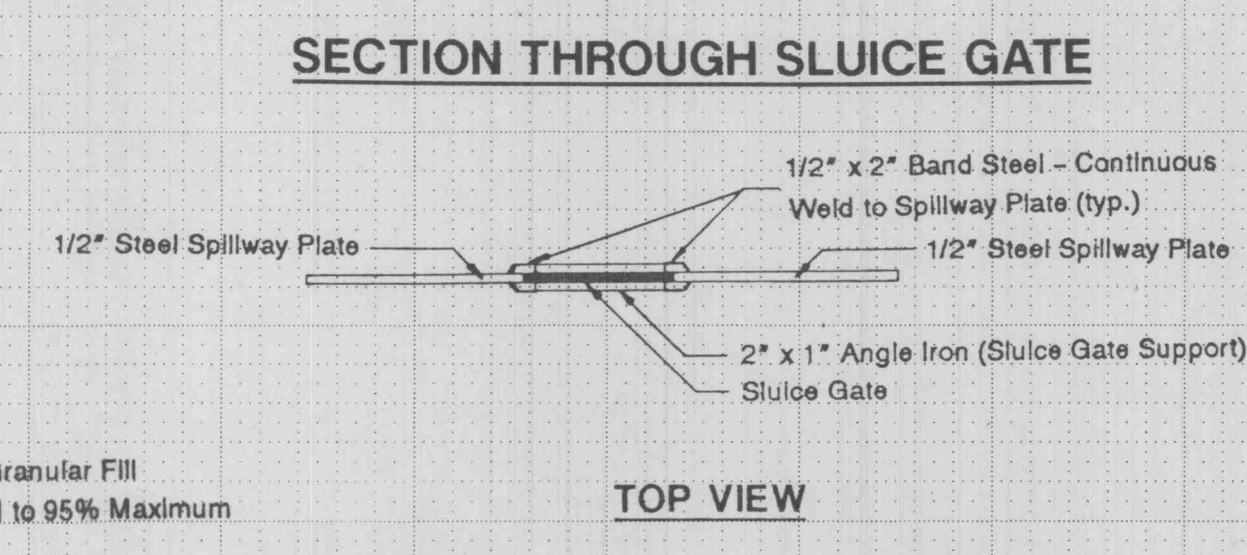
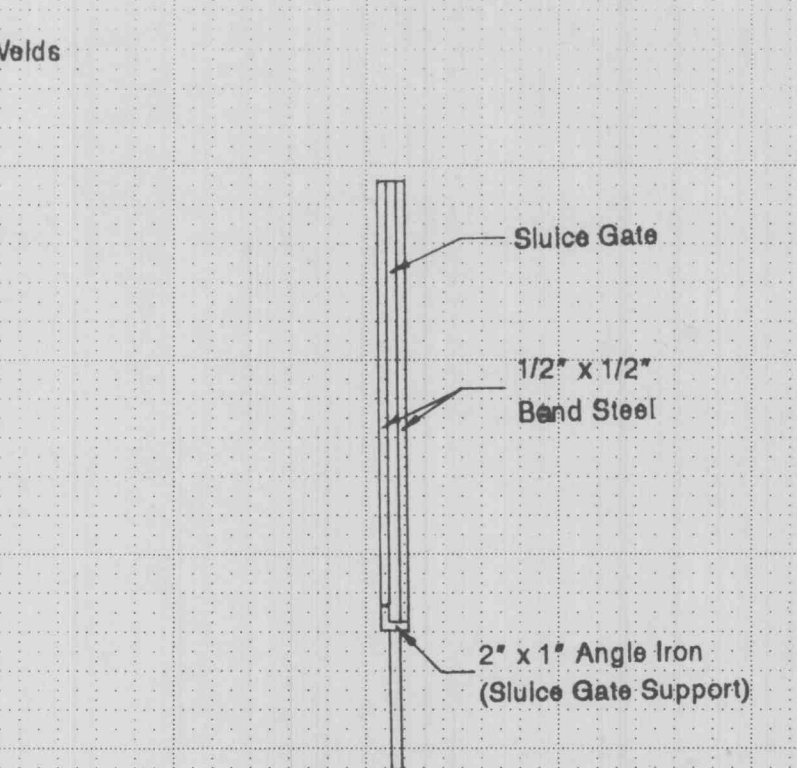
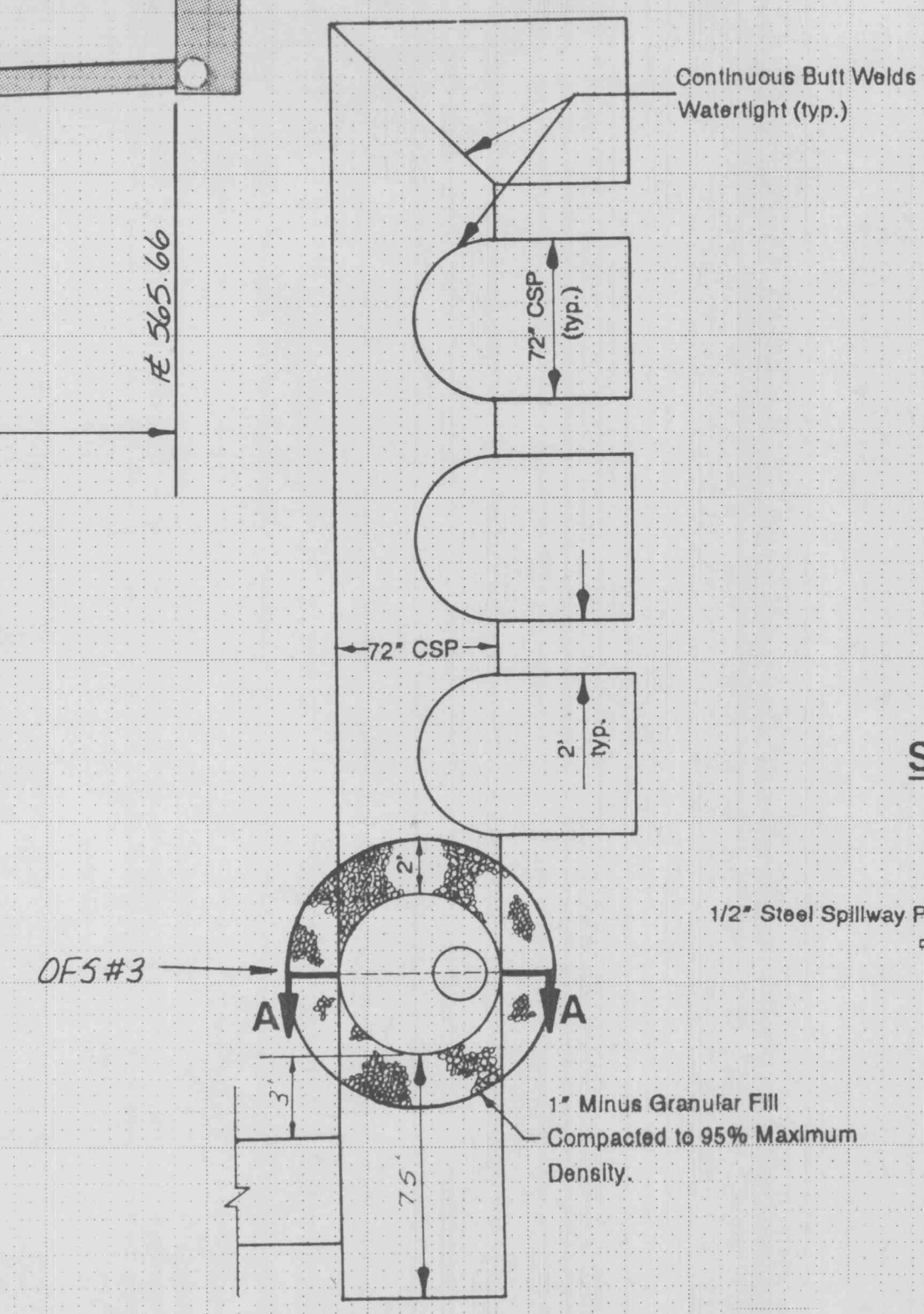
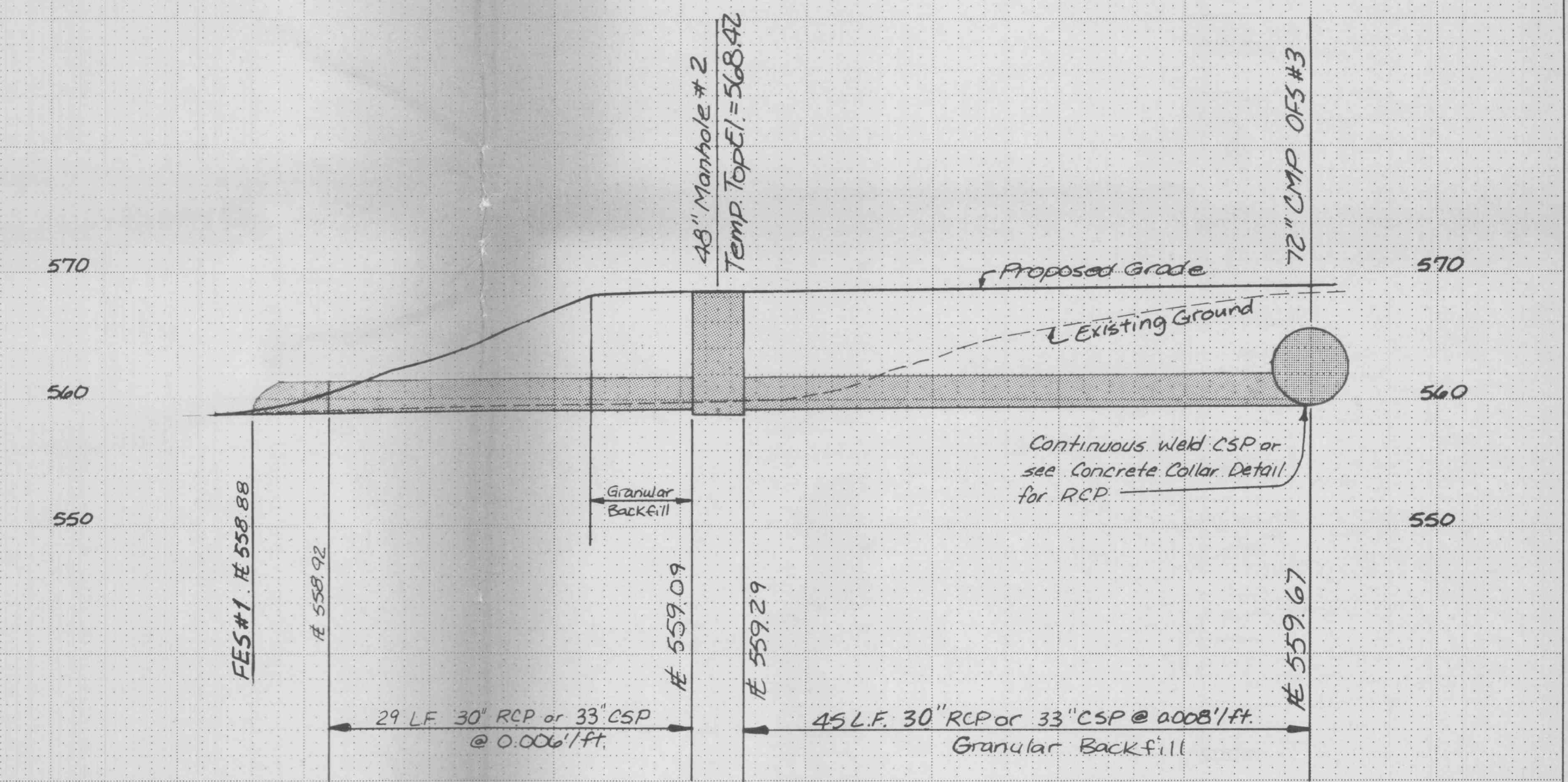
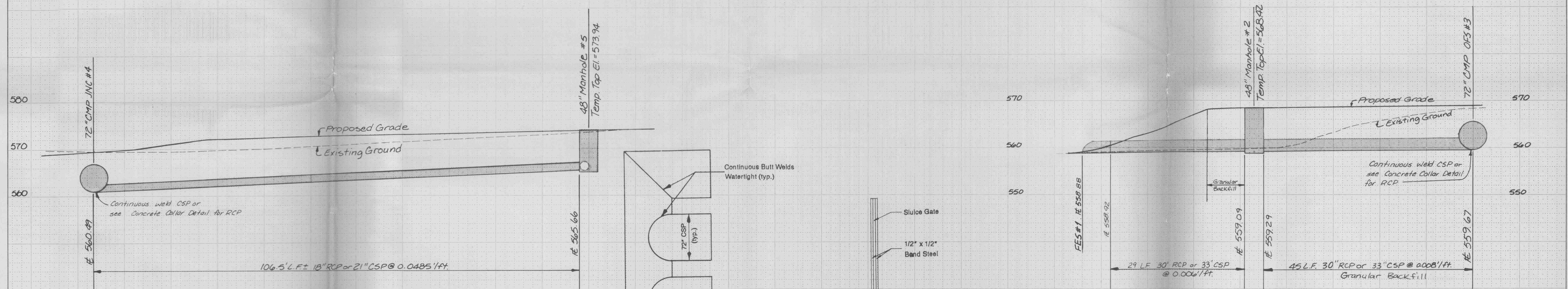
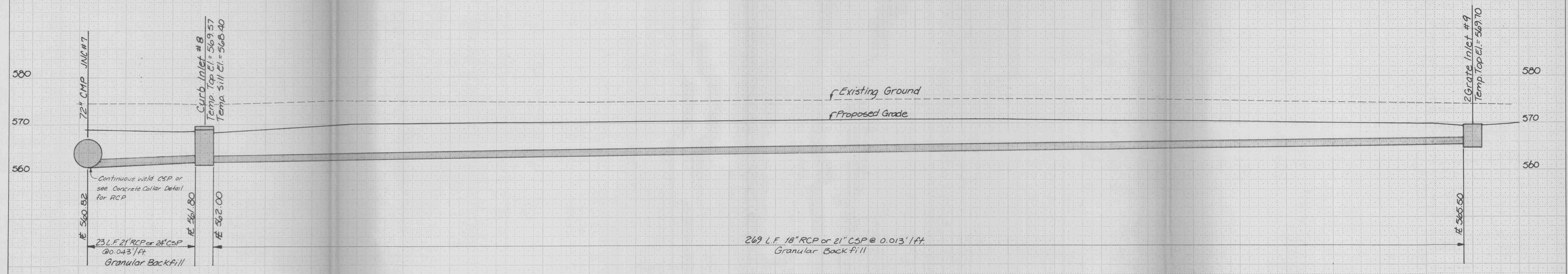
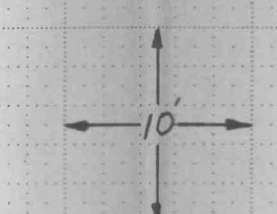


PROJECT	SHEET NO.	TOTAL SHEETS
TRUE VALUE HARDWARE	2	4
PROJECT NO.: 6216/6326	DATE:	
REVISIONS: City of O'Fallon Comments	9/2/91	



DETENTION STRUCTURE DETAILS
N.T.S.