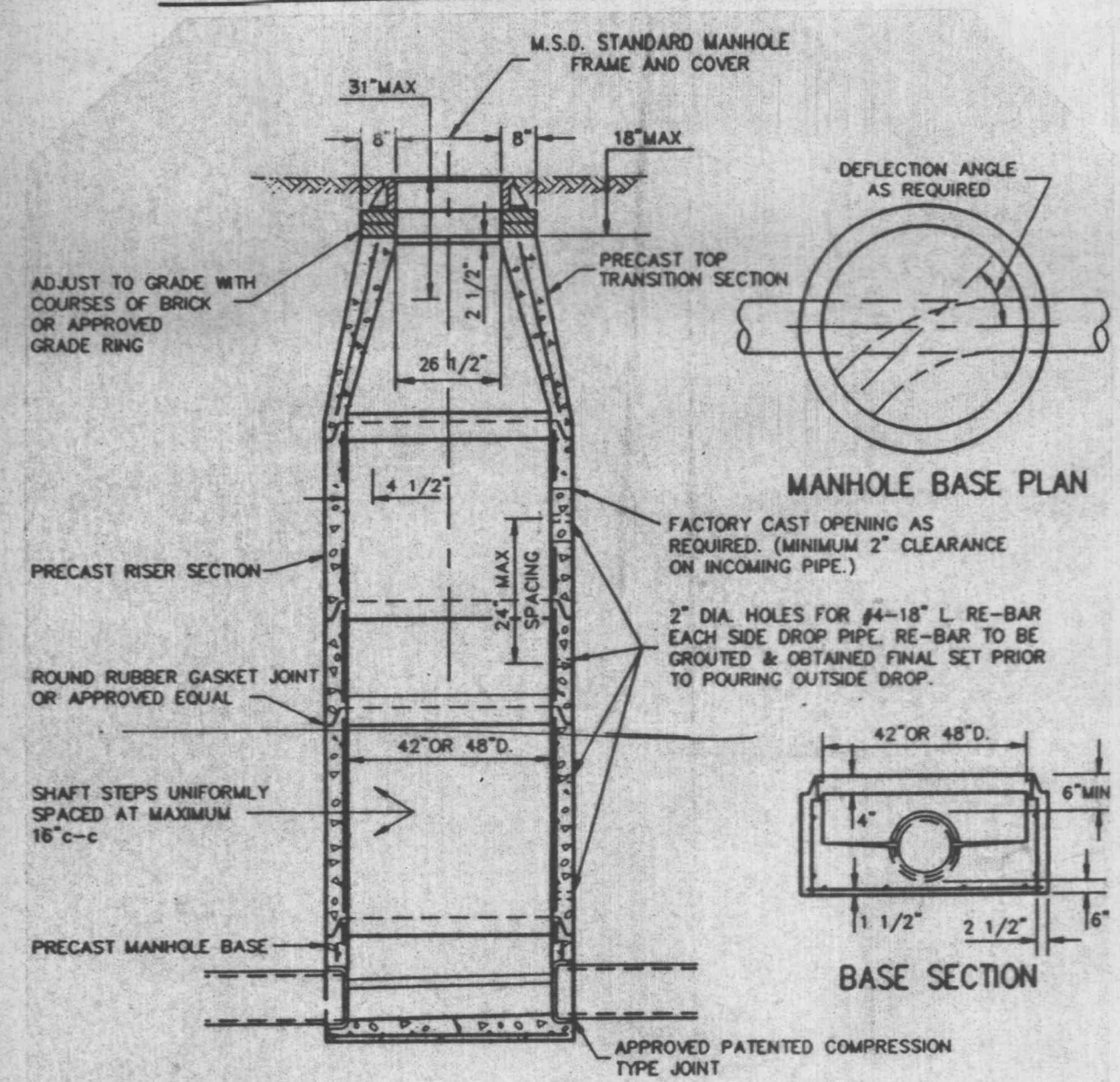


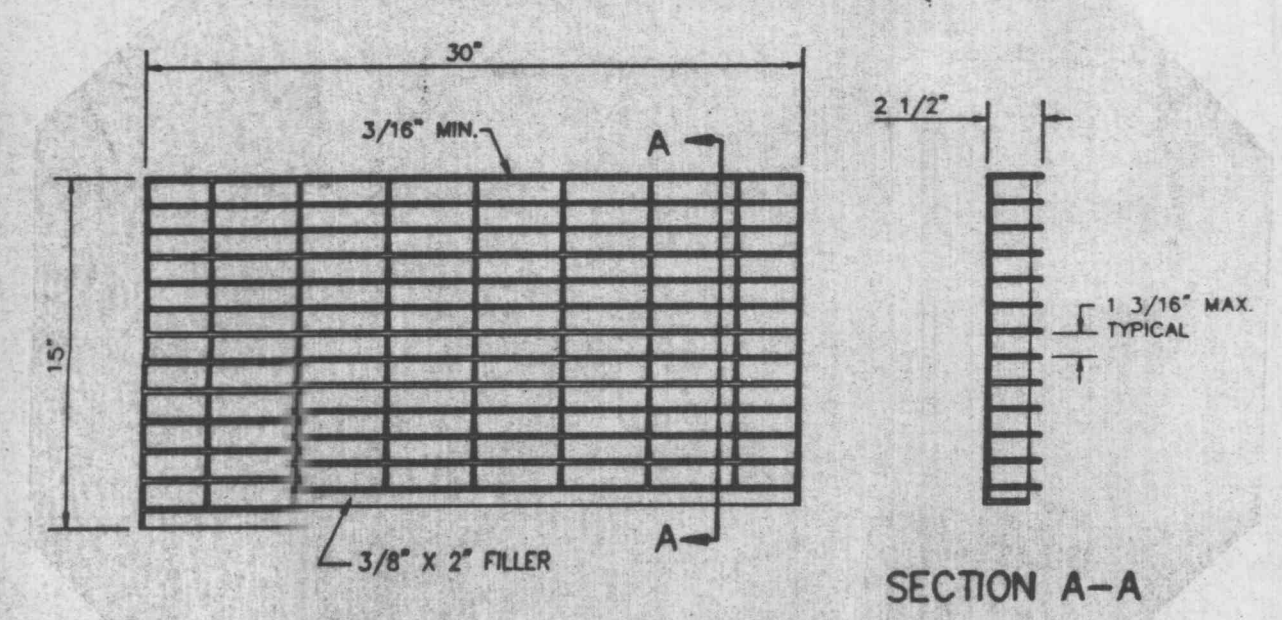
PIPE BEDDING CLASS "C"

SECTION OF MANHOLE		DIMENSION
TOP	UPPER	26 1/2" DIA.
TRANSITION	LOWER	42" DIA.
BOTTOM SECTION	8" THRU 24" DIA. PIPE	42" DIA.
	27" THRU 36" DIA. PIPE	42" SQUARE

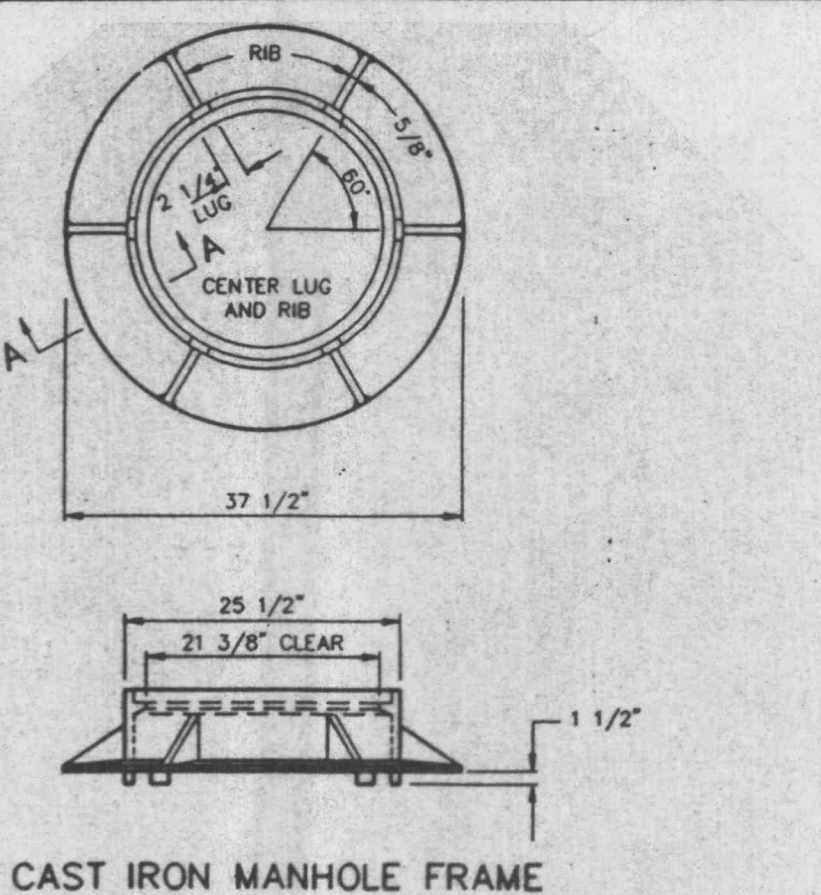
STANDARD MANHOLE DIMENSIONS



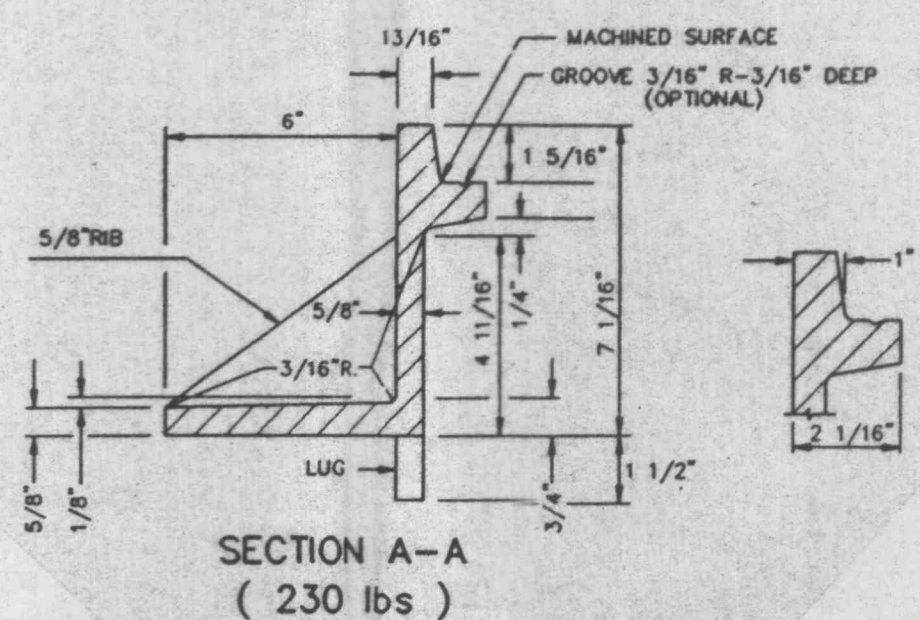
PRE-CAST CONCRETE MANHOLE



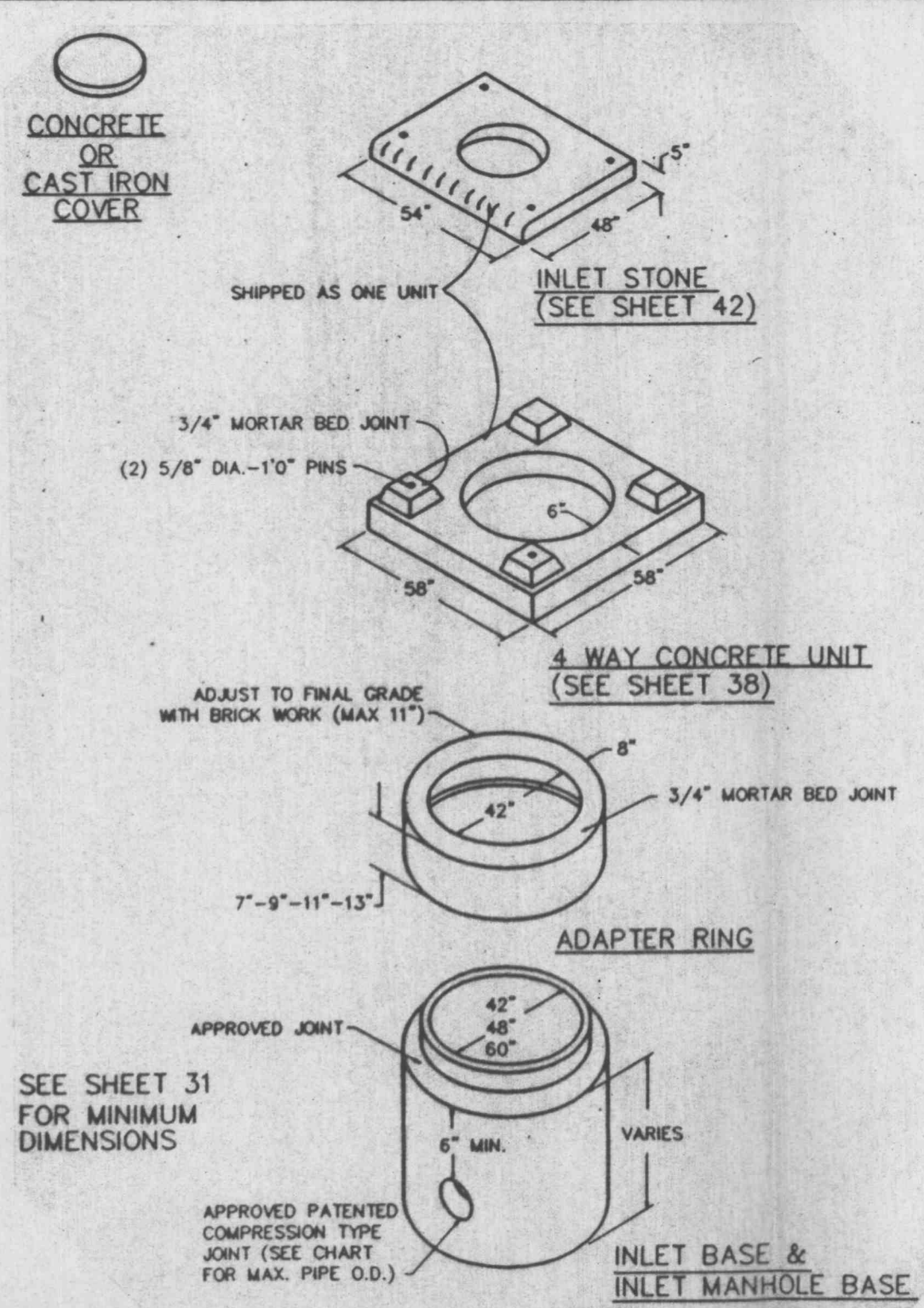
STEEL GRATE DETAIL



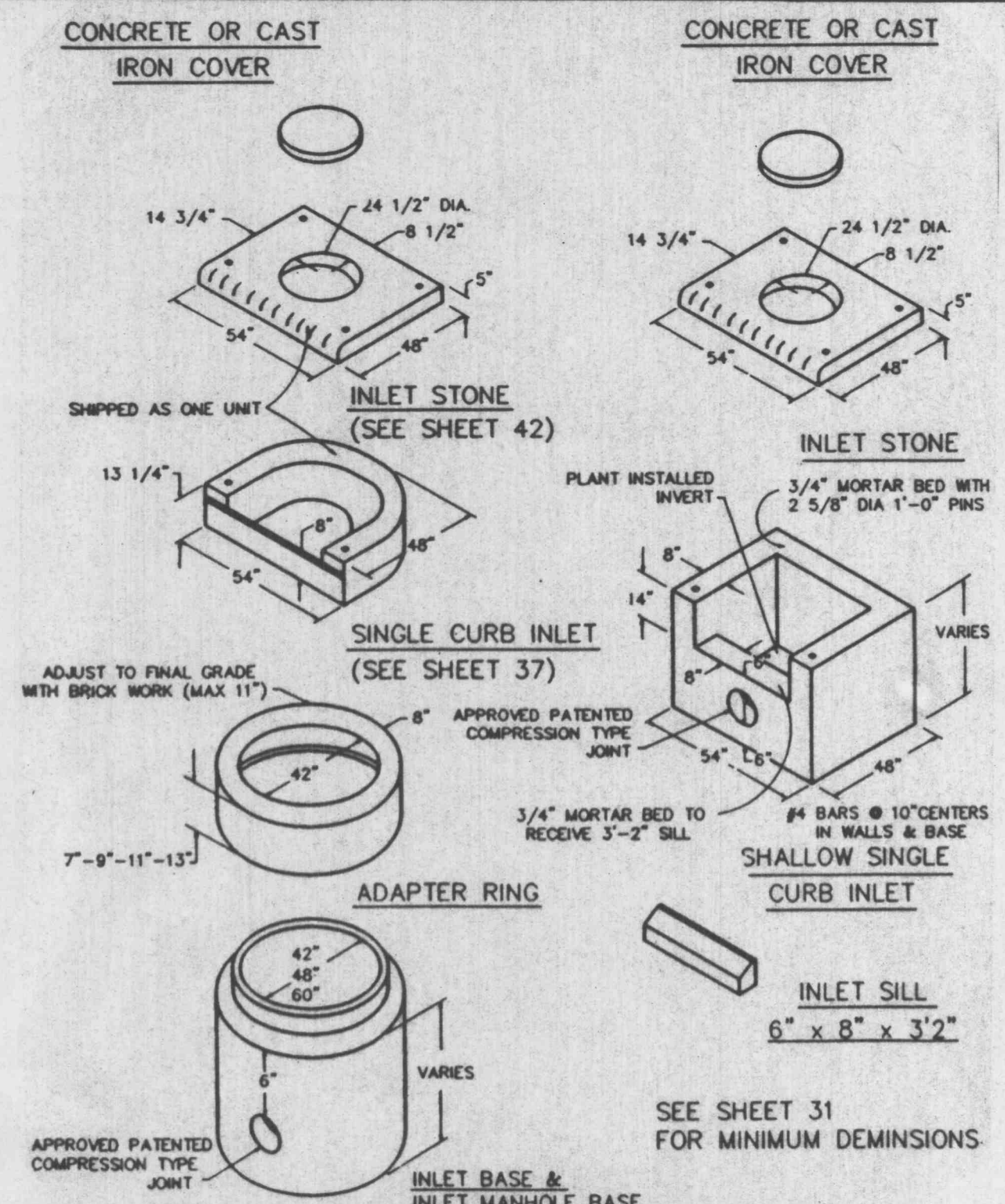
CAST IRON MANHOLE FRAME



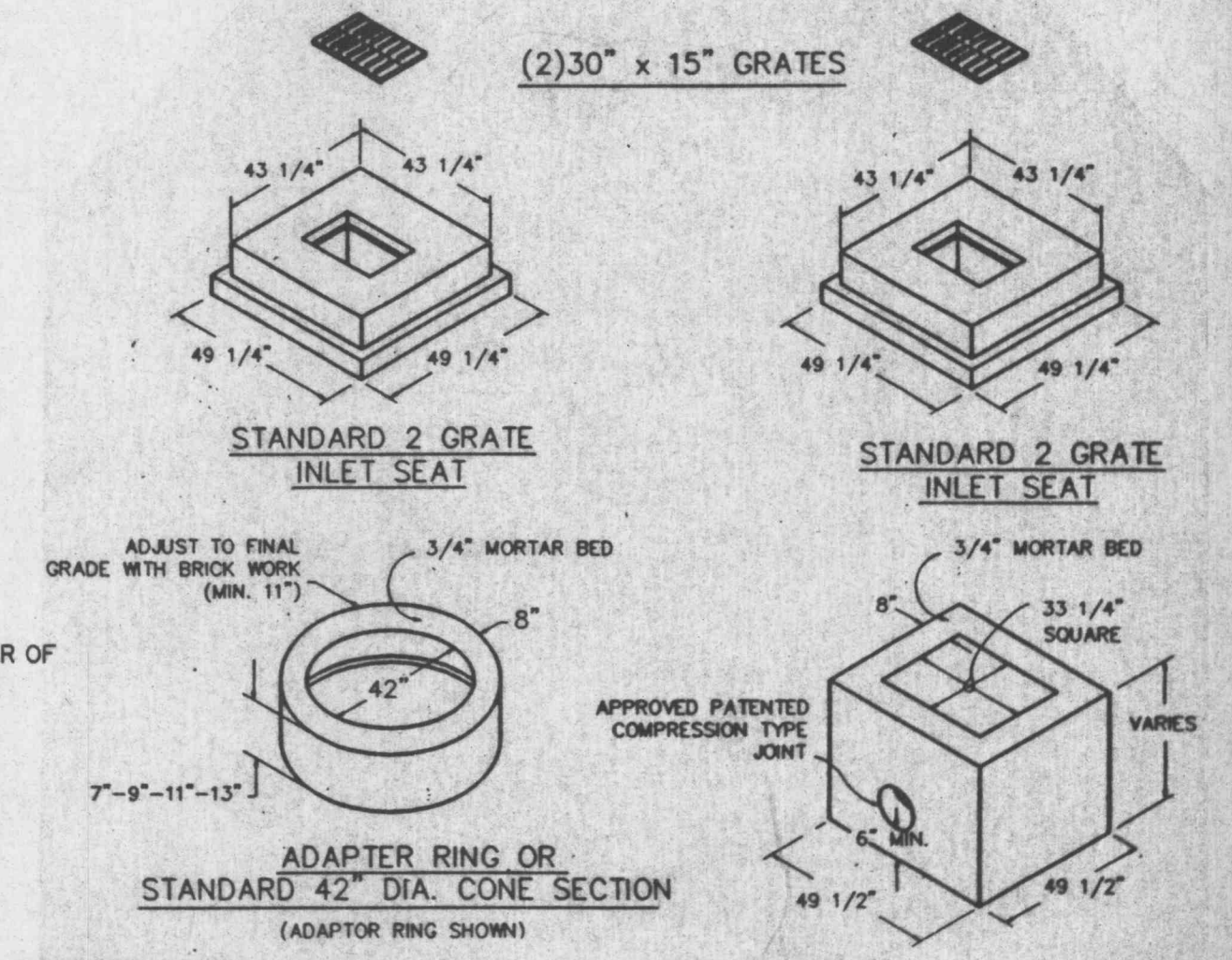
CAST IRON MANHOLE FRAME DETAIL



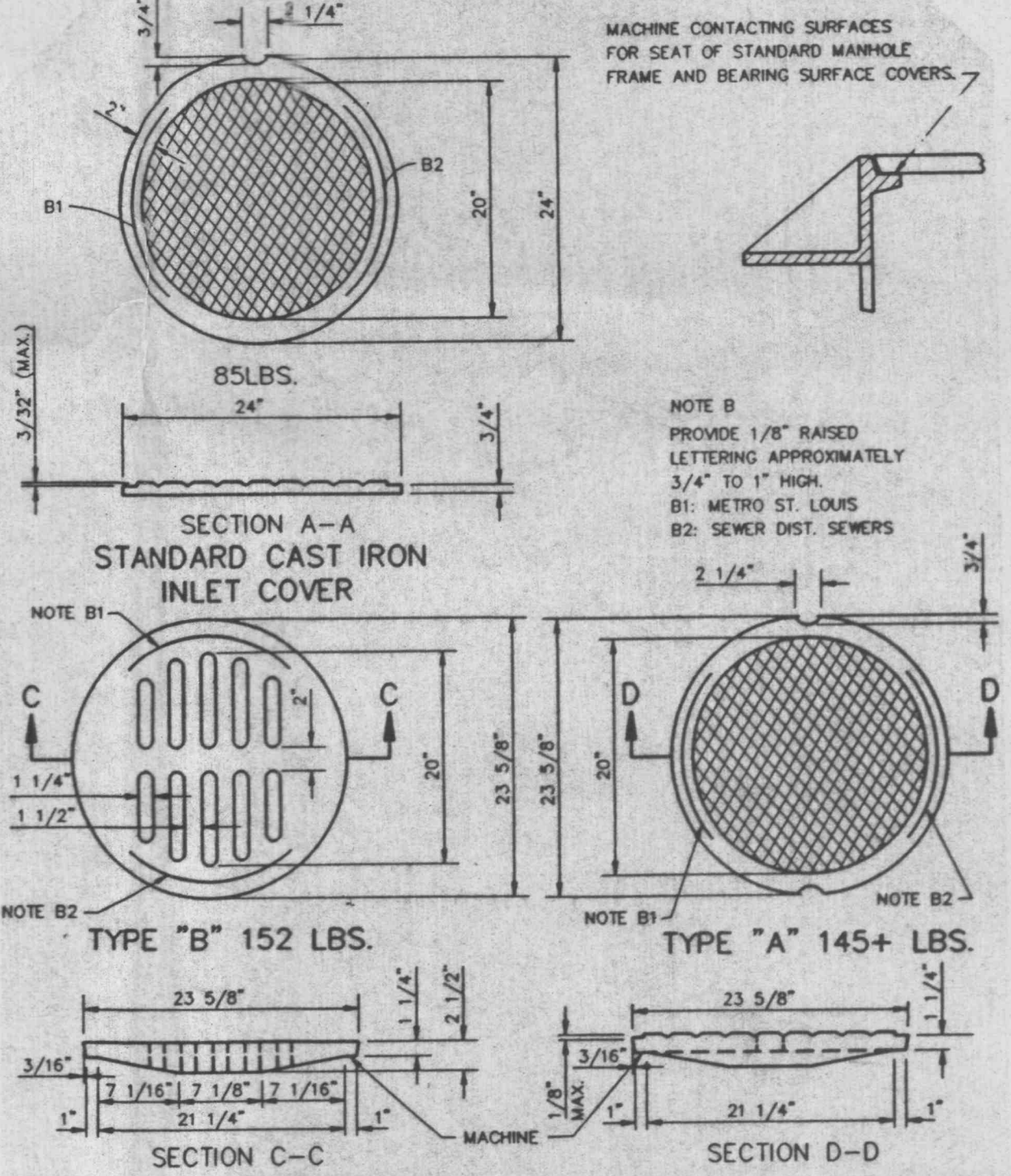
PRECAST CONCRETE AREA INLET



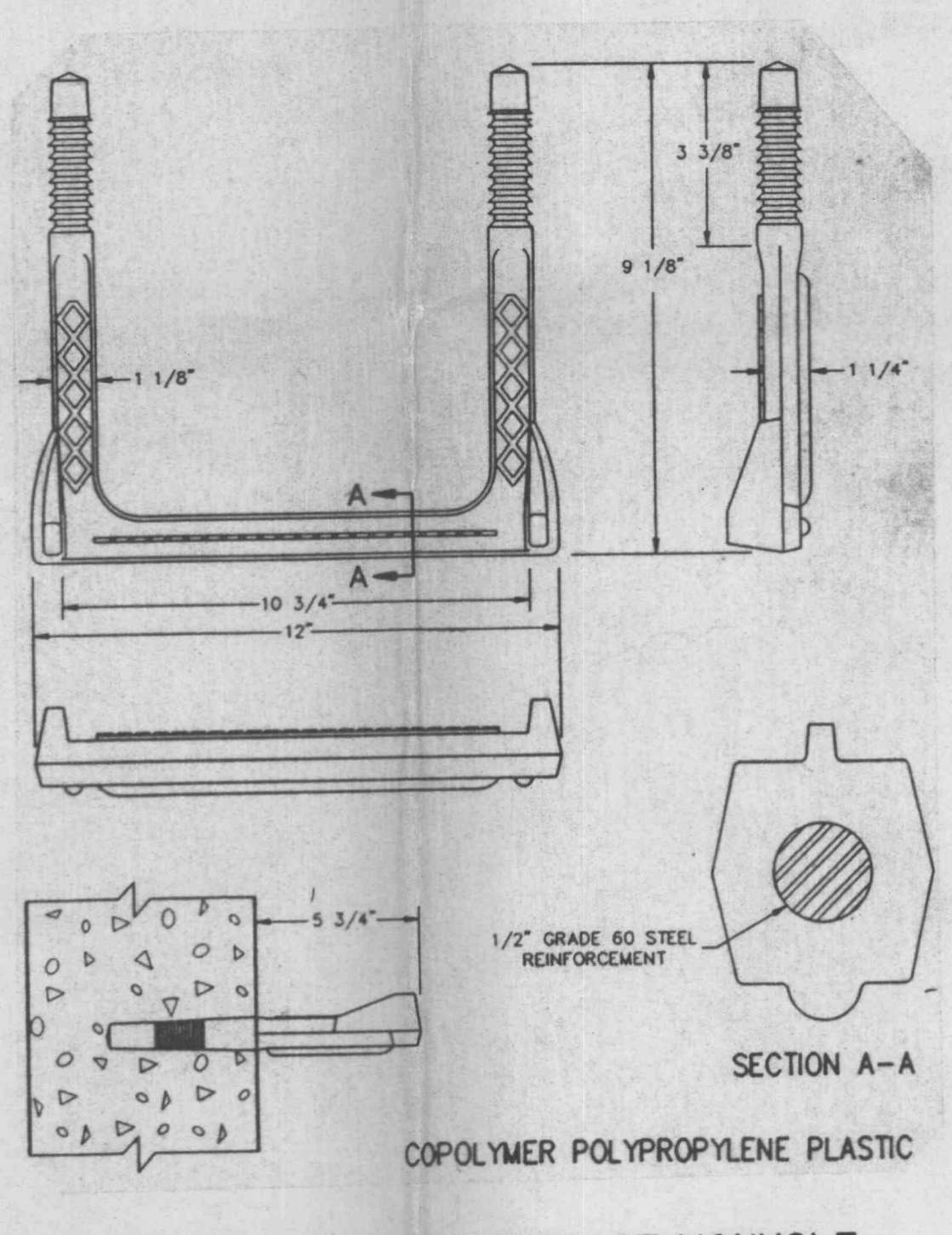
PRECAST CONCRETE SINGLE STREET INLET



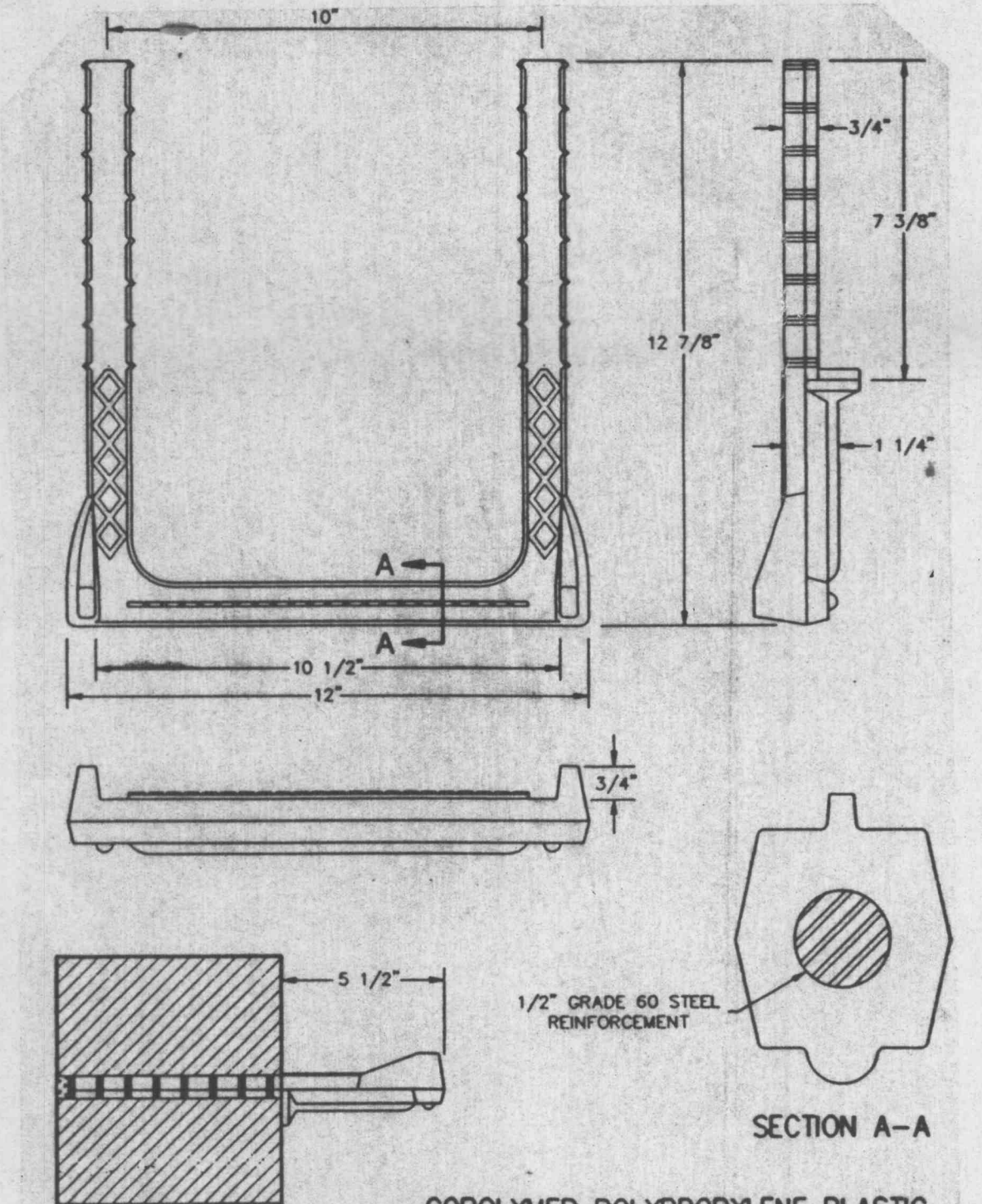
SQUARE 2 GRATE INLET



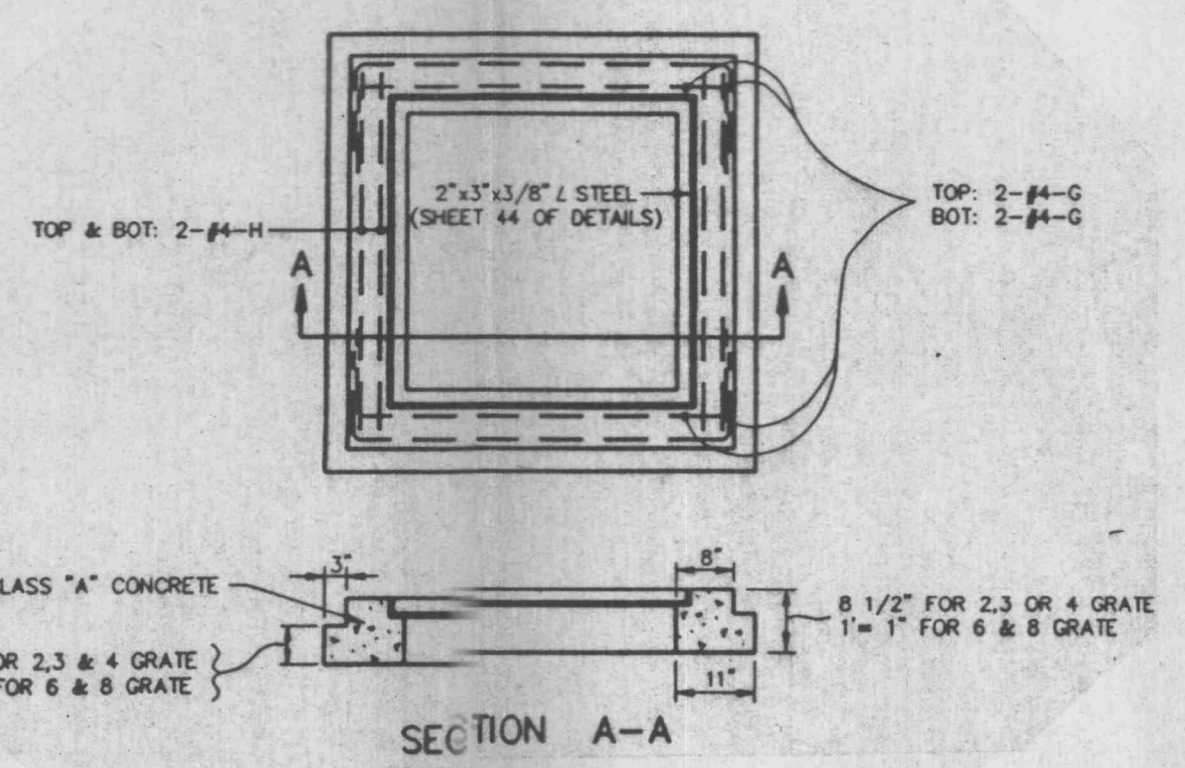
CAST IRON COVERS MANHOLES AND INLETS



MANHOLE STEP FOR PRECAST MANHOLE

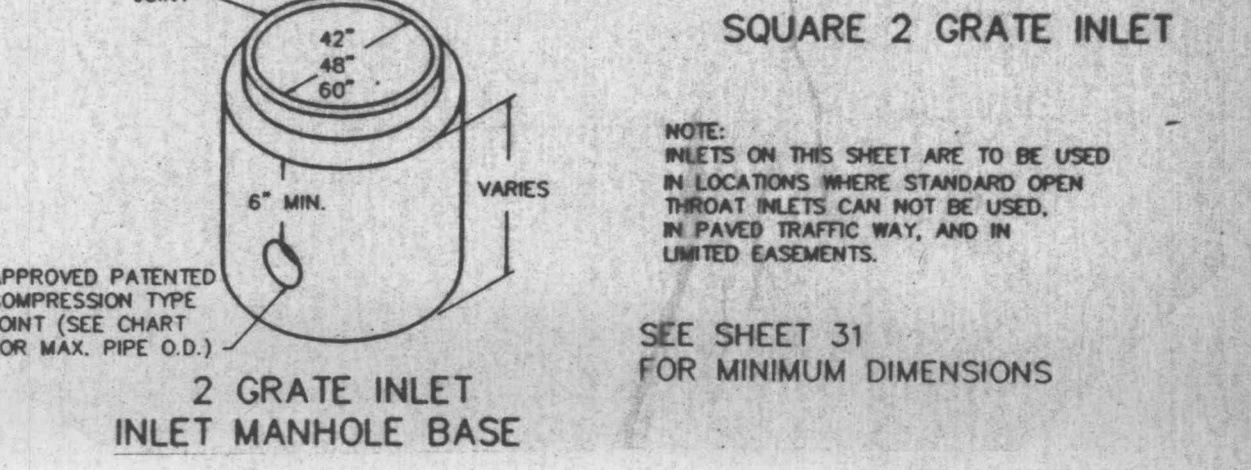


PSI-B MANHOLE STEP INTO JOINT

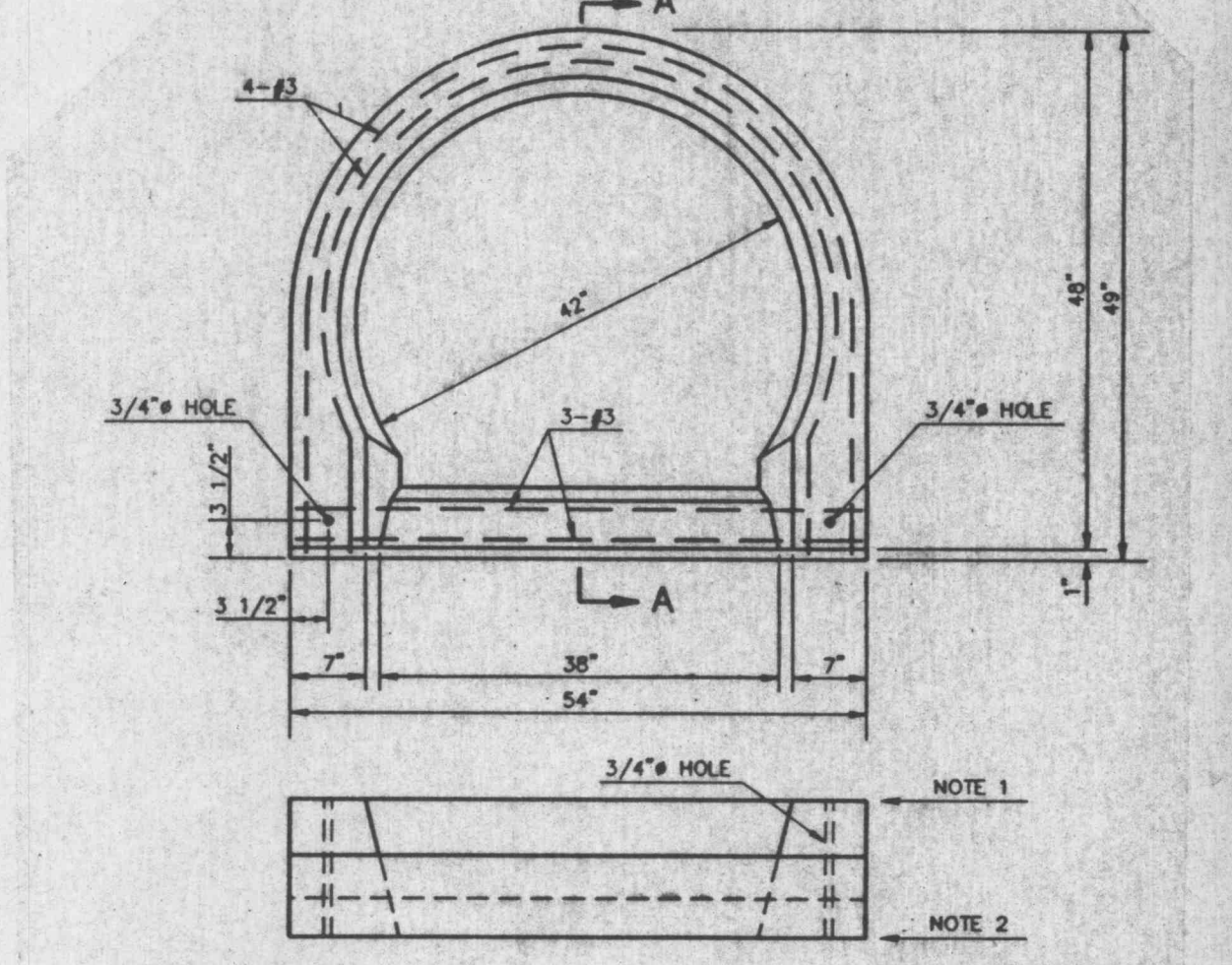


STEEL REQUIREMENTS FOR GRATE INLET SEAT

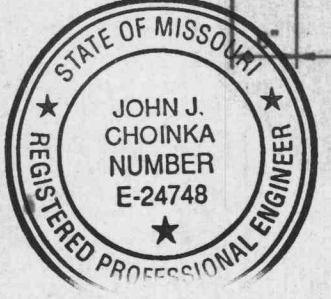
CALL	USE	α	STRAIGHT BARS
G-1	2, 3, OR 4 GRATE	3'-4"	
G-2	6 & 8 GRATE	5'-10"	
H-2	2 GRATE	3'-6"	
H-3	3 & 6 GRATE	4'-9"	
H-4	4 & 8 GRATE	6'-0"	



PRECAST CONCRETE 2 GRATE INLET



PRECAST CONCRETE UNIT FOR SINGLE STREET INLET



- NOTES
1. SET STANDARD INLET STONE IN 3/4" MORTAR BED AND DOWEL WITH 5/8" DIA. 1'-0" LONG PINS AND GROUT.
 2. RAISE TO FINAL GRADE WITH COURSES OF BRICK AND 3/4" MORTAR BED.
 3. THIS UNIT IS TO BE USED WITH 42" I.D. POURED IN PLACE CONCRETE OR BRICK BASE.
 4. 4000 P.S.I. CONCRETE REQUIRED.