

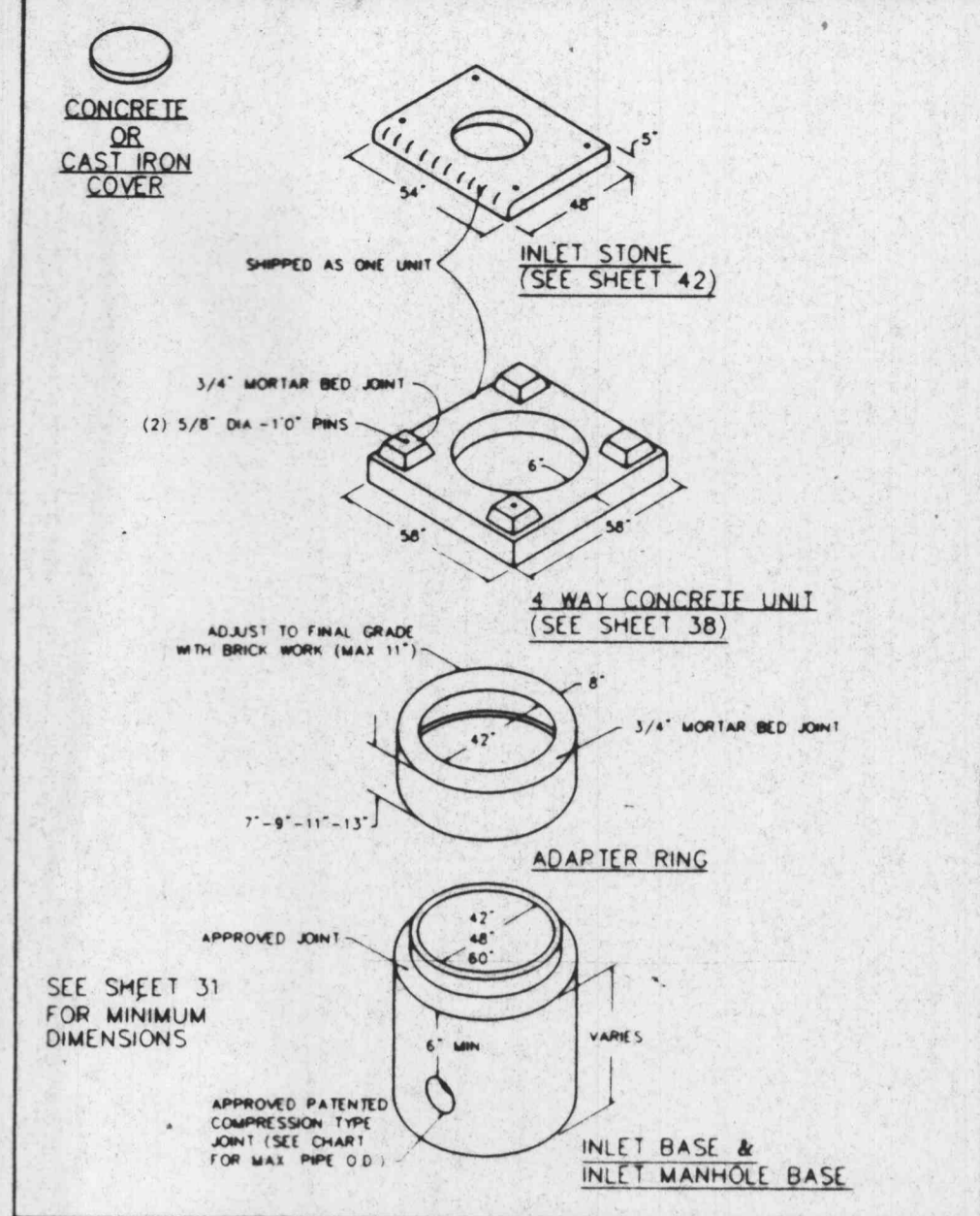
**PRECAST CONCRETE STORMWATER STRUCTURES**

MINIMUM DISTANCE FLOWLINE TO TOP OF STONE OR GRATE

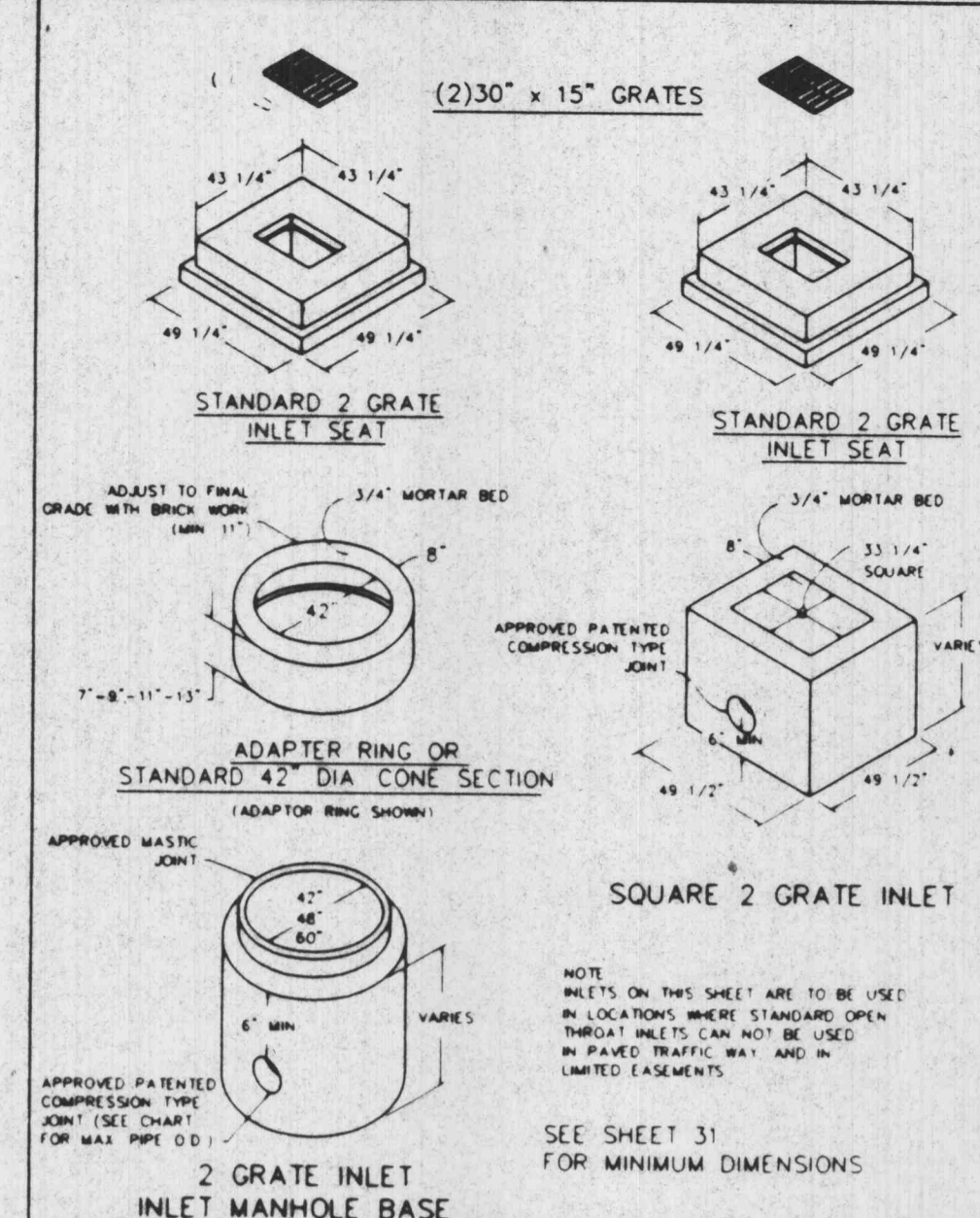
PIPE ID NOMINAL INCHES	AREA INLET CIRCULAR BASE DIA.			2 GRATE INLET CIRCULAR BASE DIA.			SINGLE STREET INLET CIRCULAR BASE DIA. RECTANGULAR		
	42"	48"	60"	36"	42"	48"	42"	48"	60"
12"	45"	48"	60"	36"	42"	48"	42"	48"	60"
15"	48"	54"	66"	36"	42"	48"	42"	48"	60"
18"	51"	57"	69"	36"	42"	48"	42"	48"	60"
21"	54"	60"	72"	36"	42"	48"	42"	48"	60"
24"	57"	63"	75"	36"	42"	48"	42"	48"	60"
27"	60"	66"	78"	36"	42"	48"	42"	48"	60"
30"	63"	69"	81"	36"	42"	48"	42"	48"	60"
33"	66"	72"	84"	36"	42"	48"	42"	48"	60"

NOTE 1 48" DIA. BASE REQUIRES 1" HIGH TRANSITION SECTION TO 42" DIA. SIMILAR TO "ADAPTER RING" SHEET 32.  
2 60" DIA. BASE REQUIRES 2" HIGH CONCENTRIC REDUCER TRANSITION TO 42" DIA. SIMILAR TO "ADAPTER RING" SHEET 32.

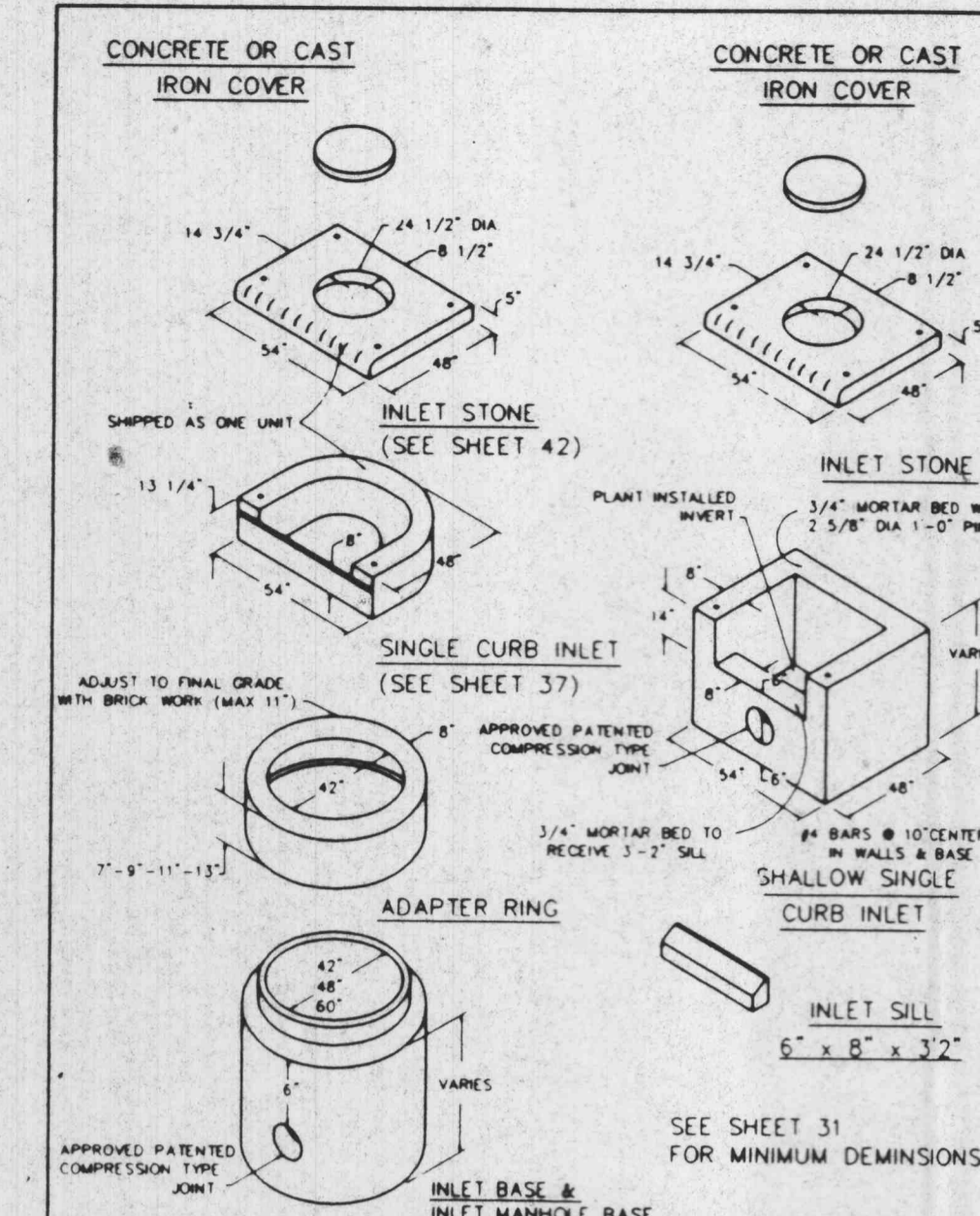
PRECAST CONCRETE STORMWATER STRUCTURES  
METROPOLITAN ST. LOUIS SEWER DISTRICT  
Standard Details of Sewer Construction  
Dr. J.L.G. Ch. J.C.K. SEPT 1990 SHEET 31



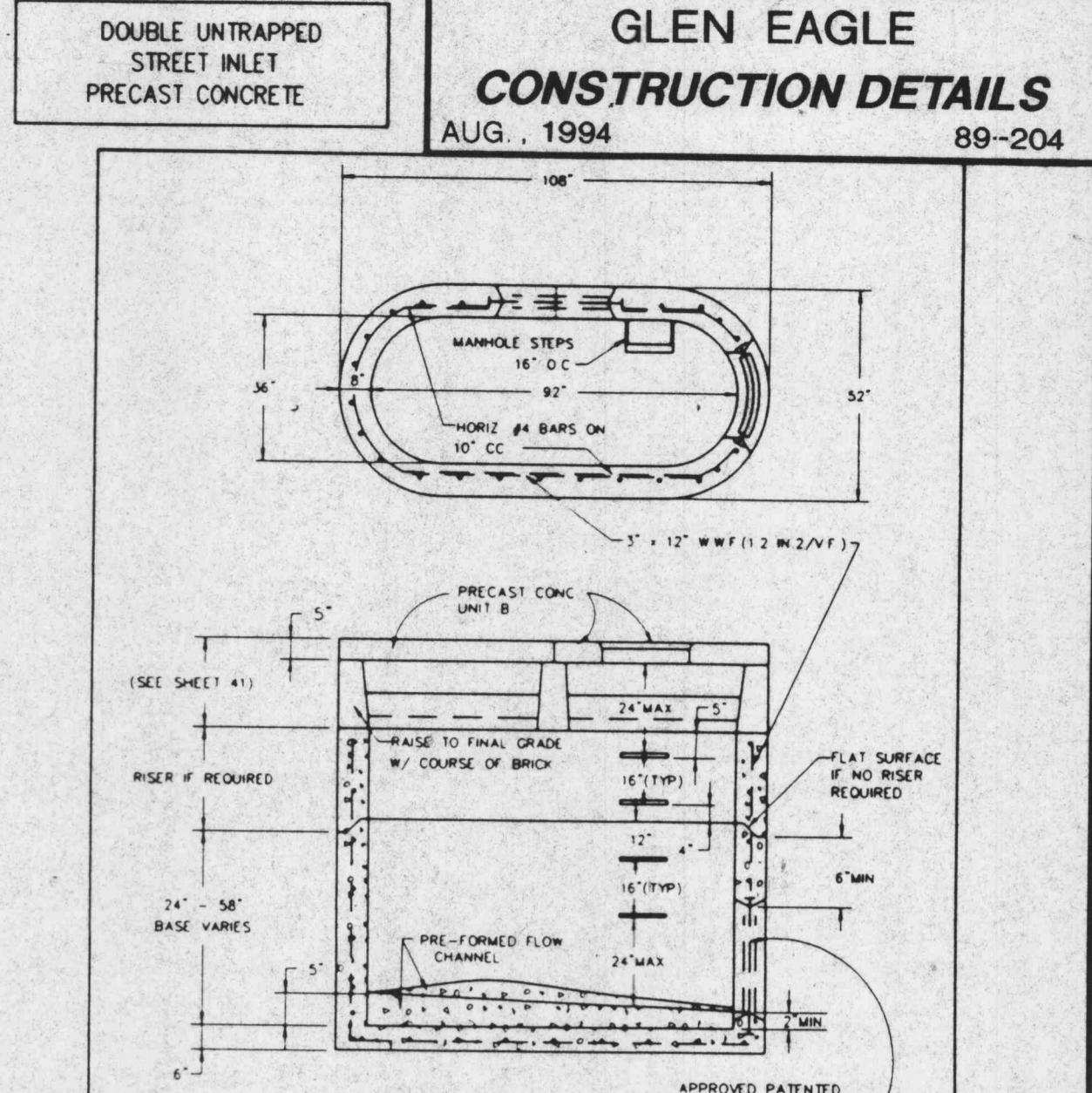
CONCRETE OR CAST IRON COVER  
METROPOLITAN ST. LOUIS SEWER DISTRICT  
Standard Details of Sewer Construction  
Dr. J.L.G. Ch. J.C.K. APRIL 1992 SHEET 32



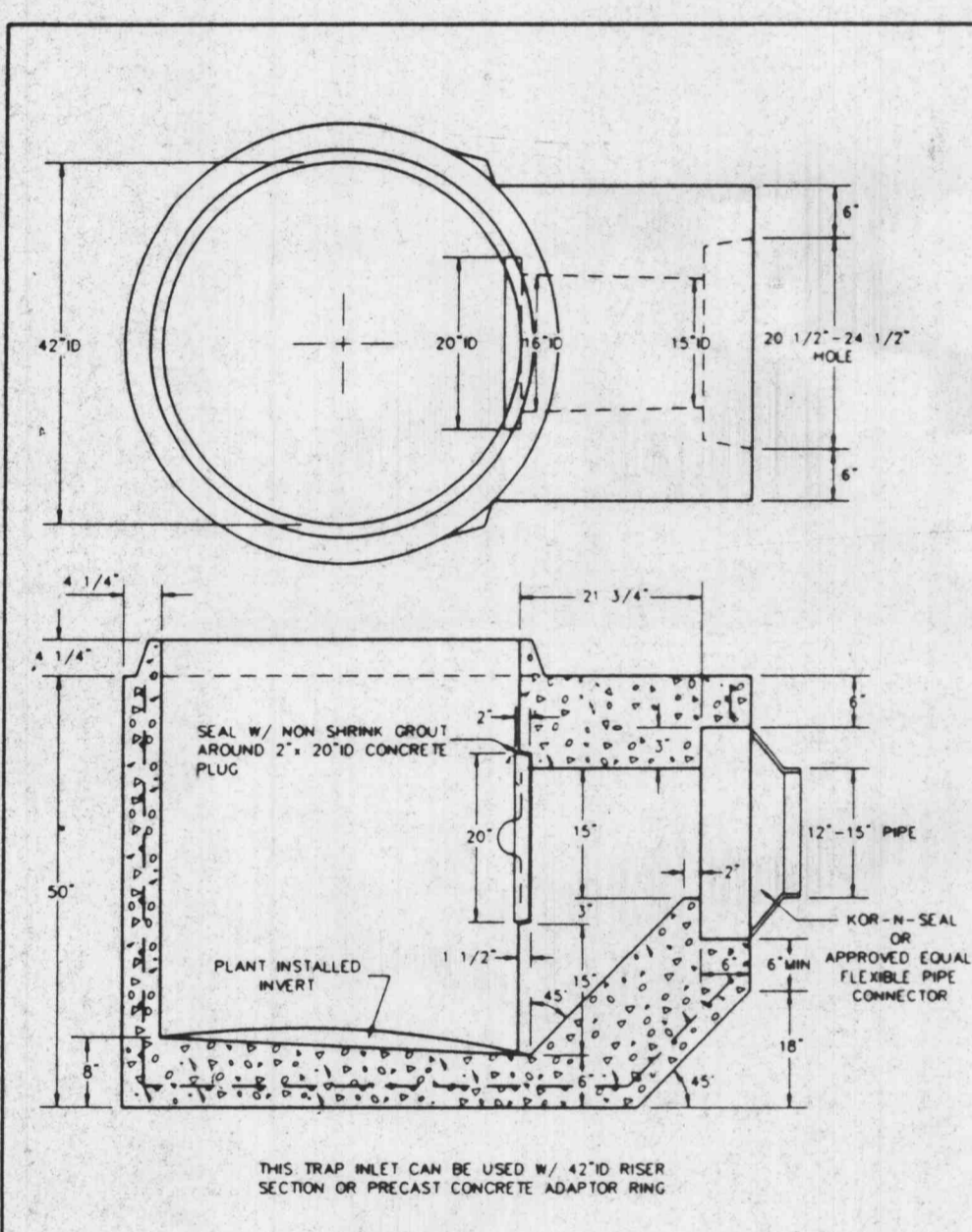
2 GRATE INLETS PRECAST CONCRETE  
METROPOLITAN ST. LOUIS SEWER DISTRICT  
Standard Details of Sewer Construction  
Dr. J.L.G. Ch. J.C.K. APRIL 1992 SHEET 33



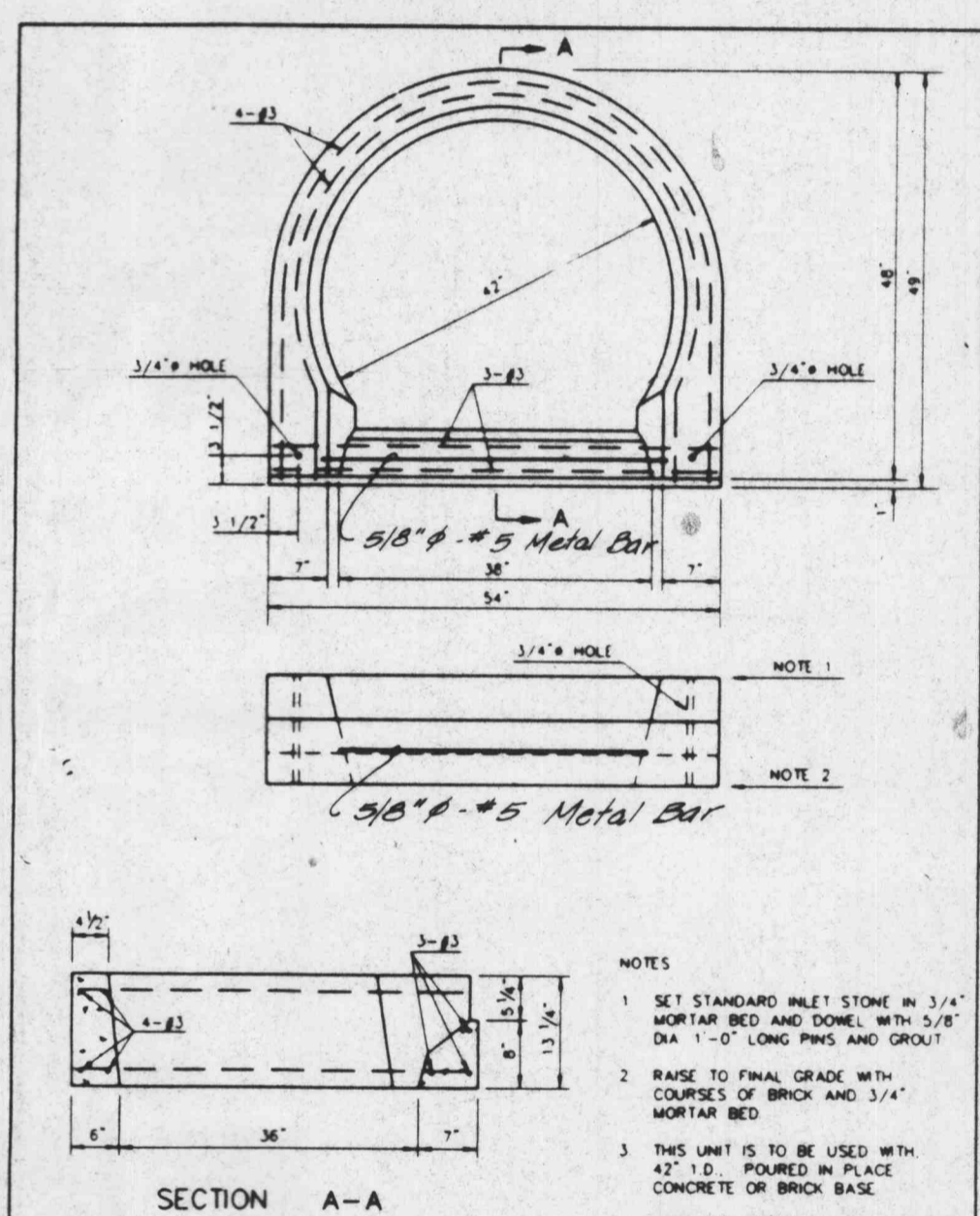
SINGLE STREET INLETS PRECAST CONCRETE  
METROPOLITAN ST. LOUIS SEWER DISTRICT  
Standard Details of Sewer Construction  
Dr. J.L.G. Ch. J.C.K. APRIL 1991 SHEET 34



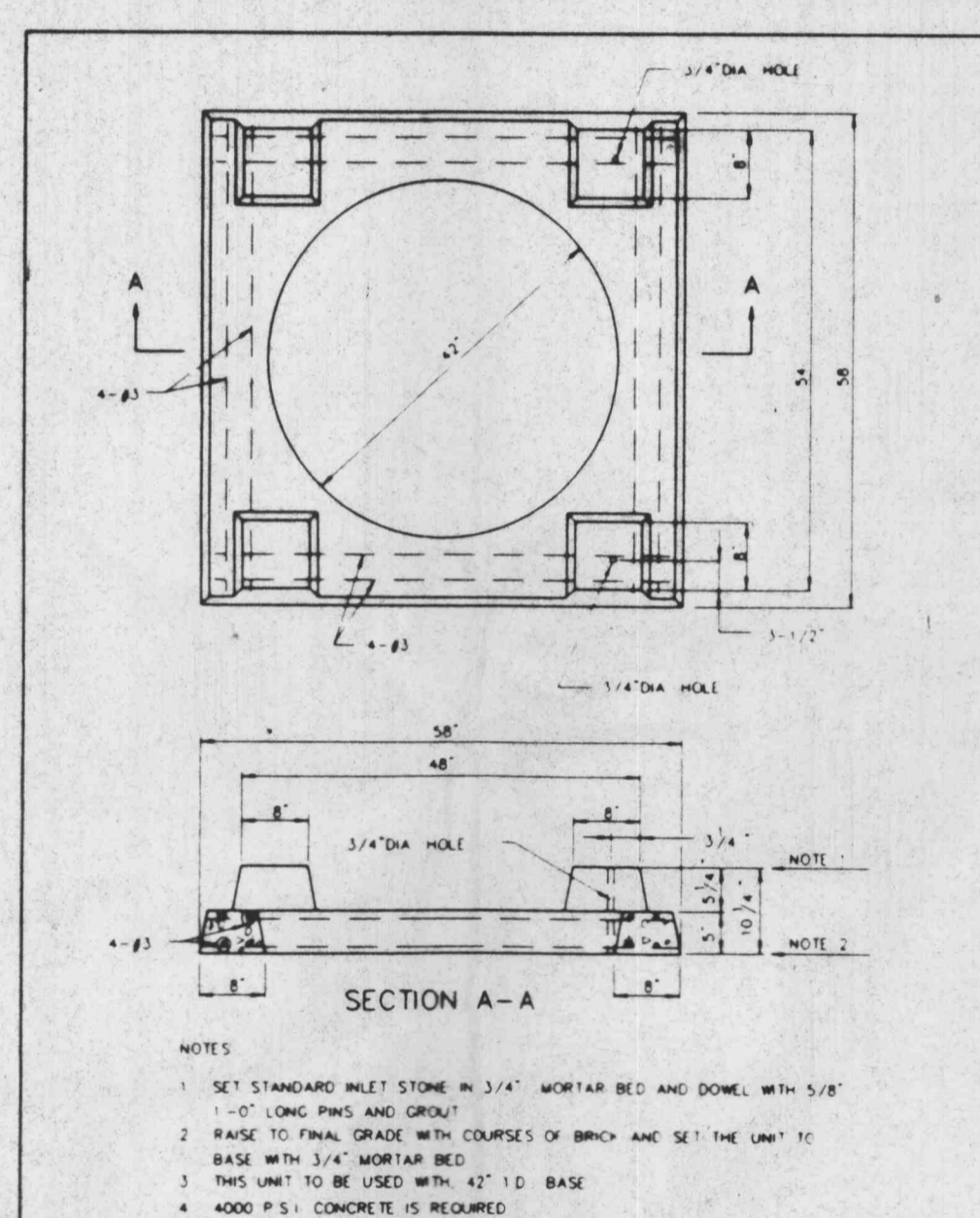
DOUBLE UNTRAPPED STREET INLET PRECAST CONCRETE  
GLEN EAGLE CONSTRUCTION DETAILS  
AUG. 1994 89-204  
METROPOLITAN ST. LOUIS SEWER DISTRICT  
Standard Details of Sewer Construction  
Dr. J.L.G. Ch. J.C.K. SEPT 1992 SHEET 35



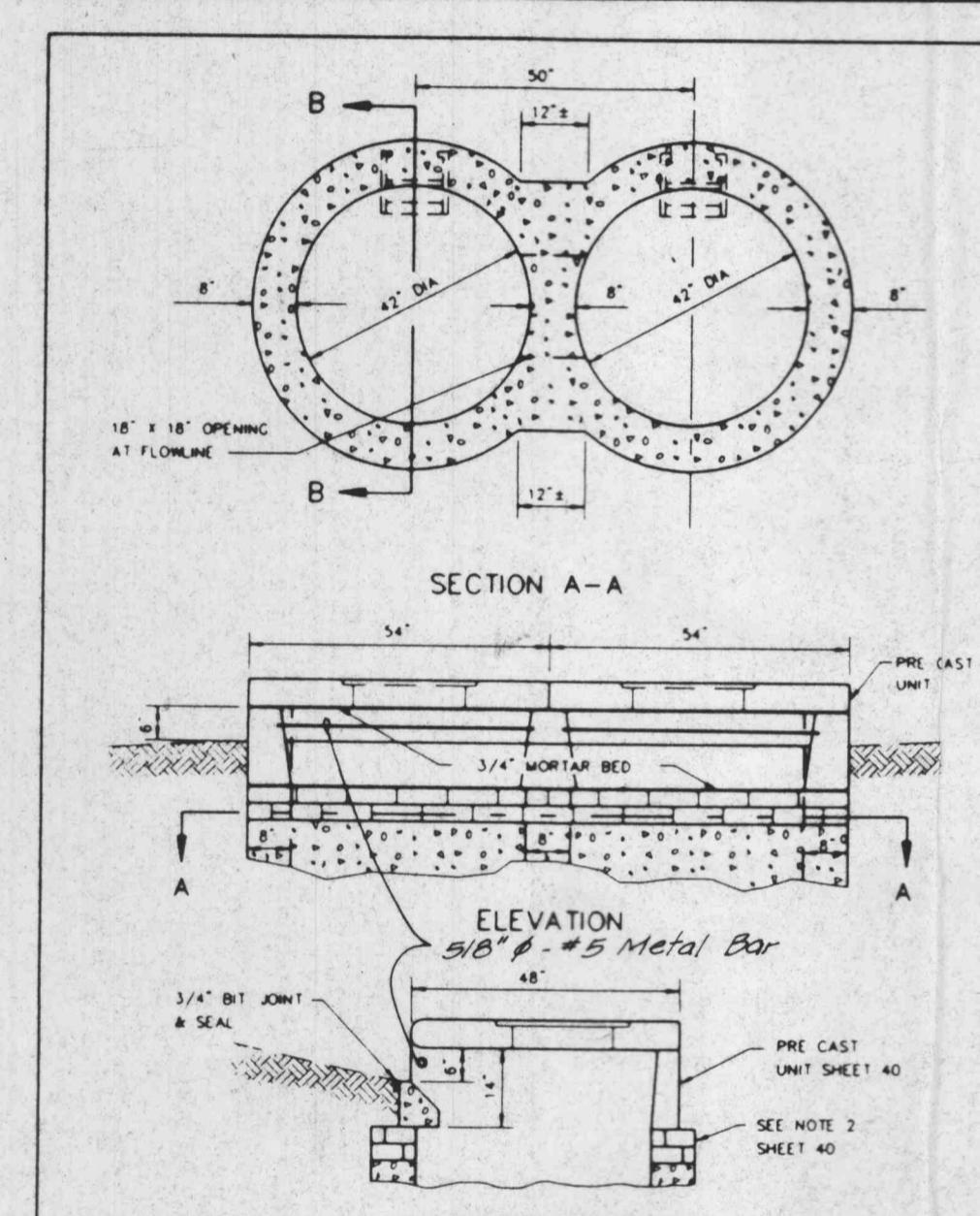
TRAPPED STREET INLET BASE PRECAST CONCRETE  
METROPOLITAN ST. LOUIS SEWER DISTRICT  
Standard Details of Sewer Construction  
Dr. W.S.H. Ch. J.C.K. 1992 SHEET 36



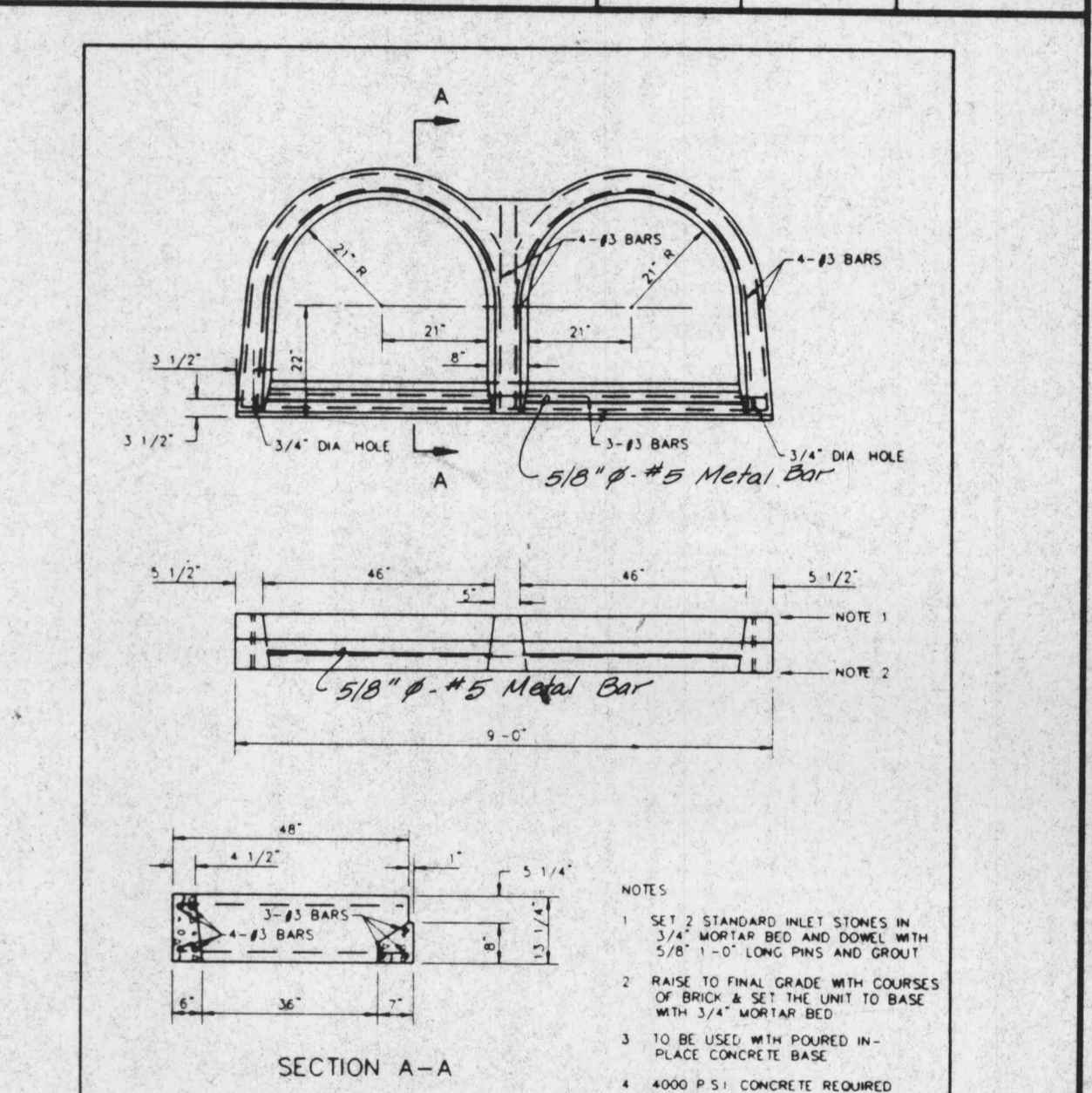
PRE-CAST CONCRETE UNIT FOR SINGLE STREET INLET  
METROPOLITAN ST. LOUIS SEWER DISTRICT  
Standard Details of Sewer Construction  
Dr. W.S.H. Ch. J.C.K. 1992 SHEET 37



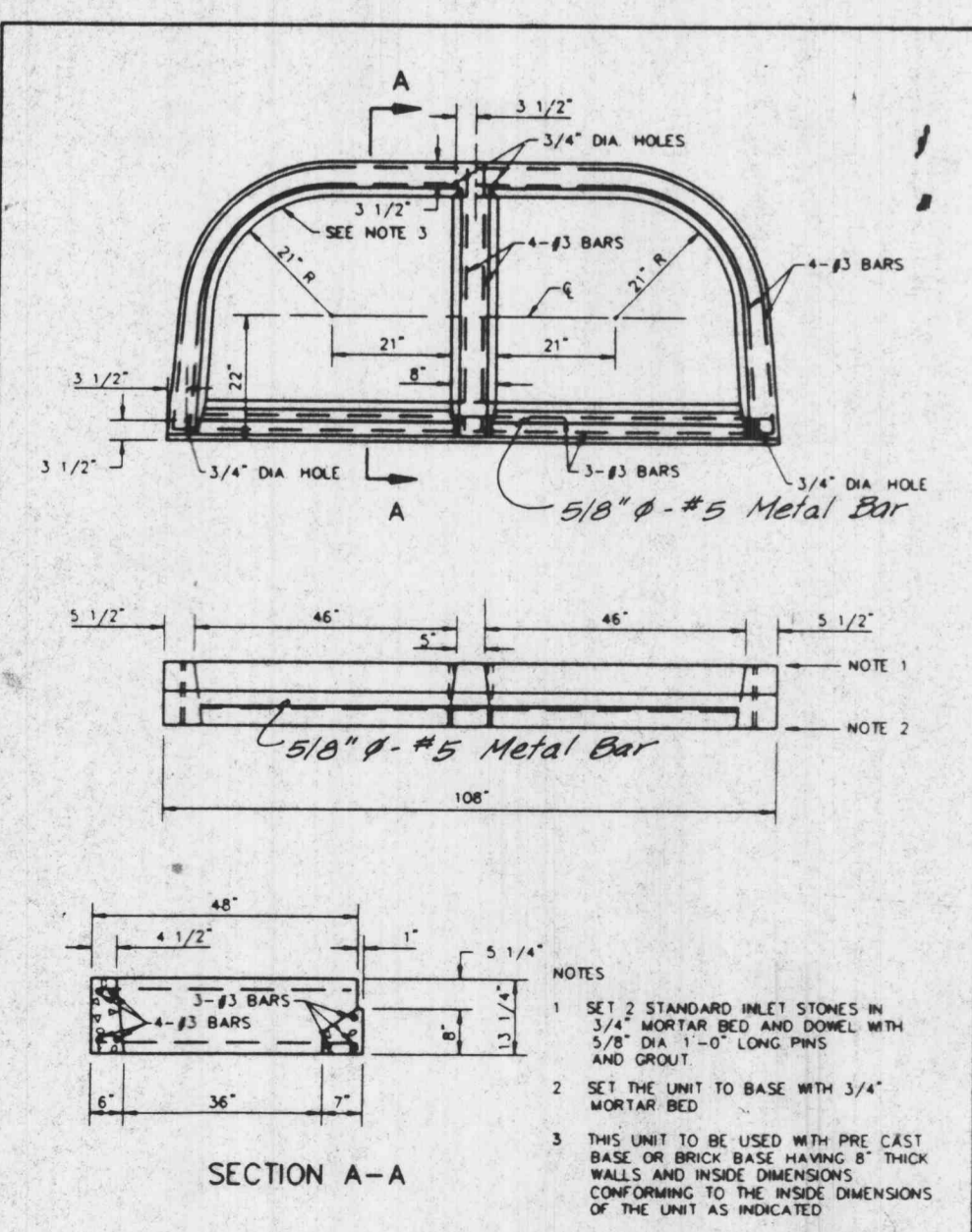
PRE-CAST CONCRETE UNIT FOR 4 WAY AREA INLET  
METROPOLITAN ST. LOUIS SEWER DISTRICT  
Standard Details of Sewer Construction  
Dr. D.A.B. Ch. J.C.K. 1992 SHEET 38



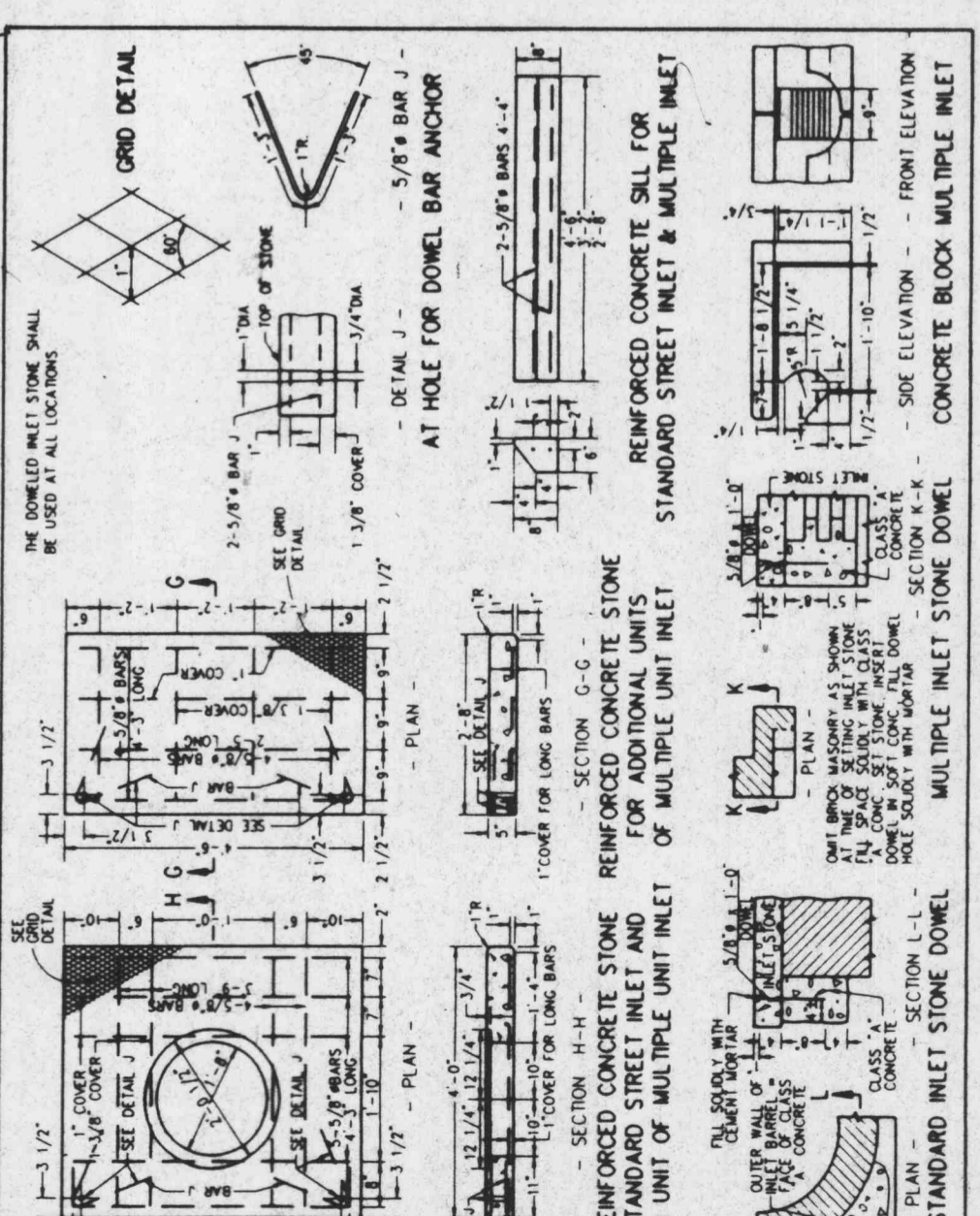
CONCRETE DOUBLE STREET INLET W/PRE CAST CONCRETE UNIT A  
METROPOLITAN ST. LOUIS SEWER DISTRICT  
Standard Details of Sewer Construction  
Dr. R.G.W. Ch. J.C.K. 1992 SHEET 39



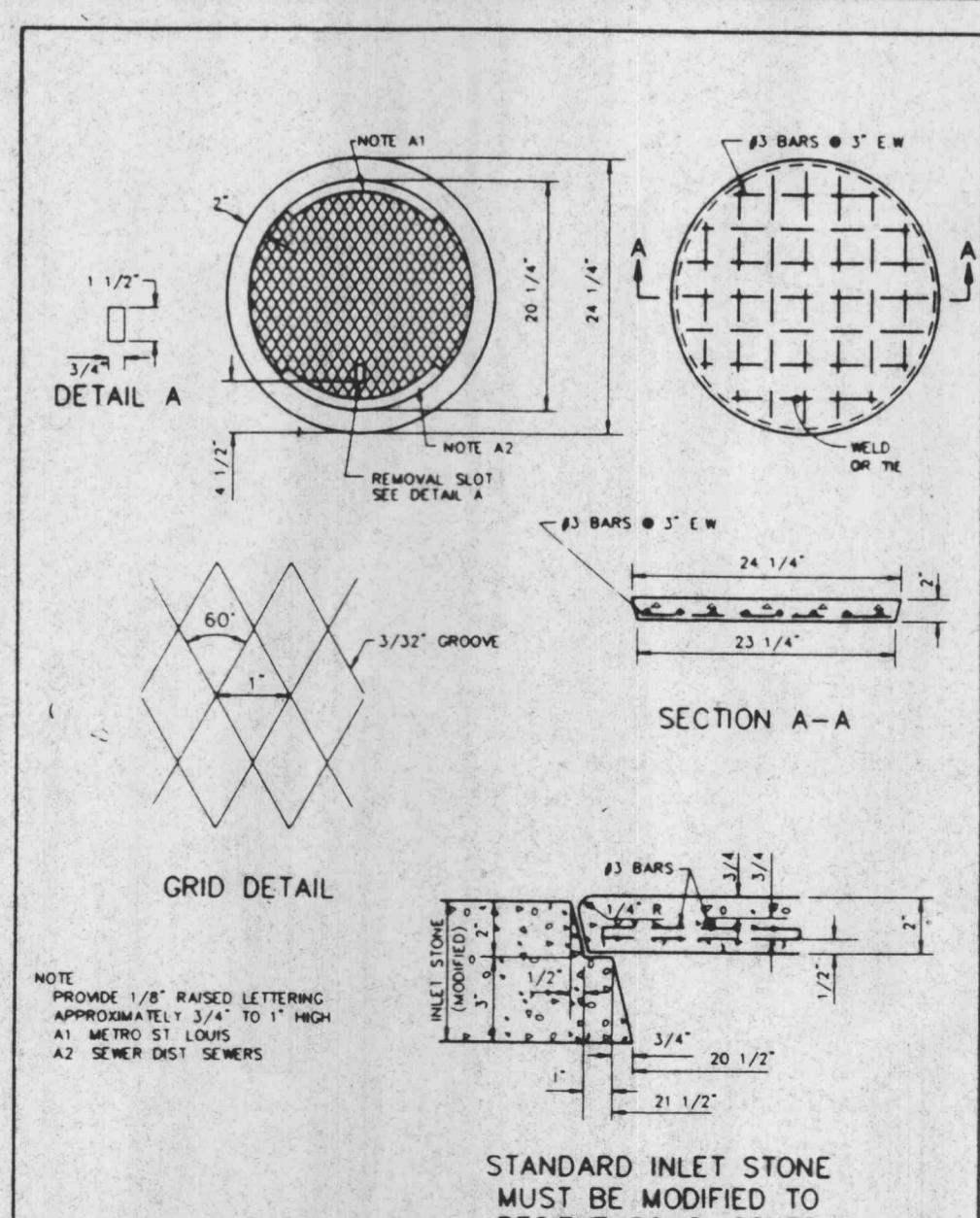
PRE-CAST CONCRETE UNIT A FOR STREET DOUBLE INLET  
METROPOLITAN ST. LOUIS SEWER DISTRICT  
Standard Details of Sewer Construction  
Dr. R.G.W. Ch. J.C.K. 1992 SHEET 40



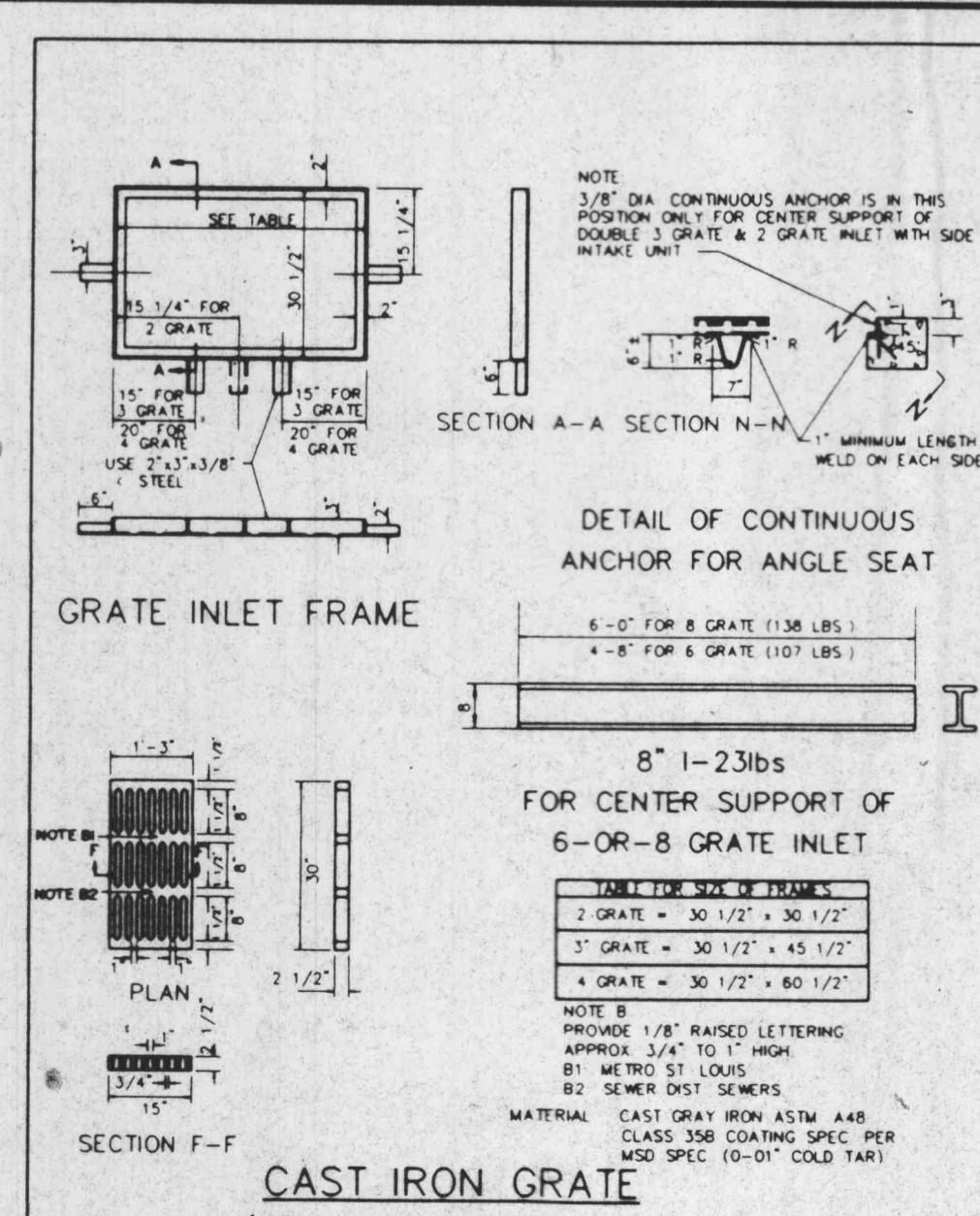
PRE-CAST CONCRETE UNIT B FOR STREET DOUBLE INLET  
METROPOLITAN ST. LOUIS SEWER DISTRICT  
Standard Details of Sewer Construction  
Dr. R.G.W. Ch. J.C.K. 1992 SHEET 41



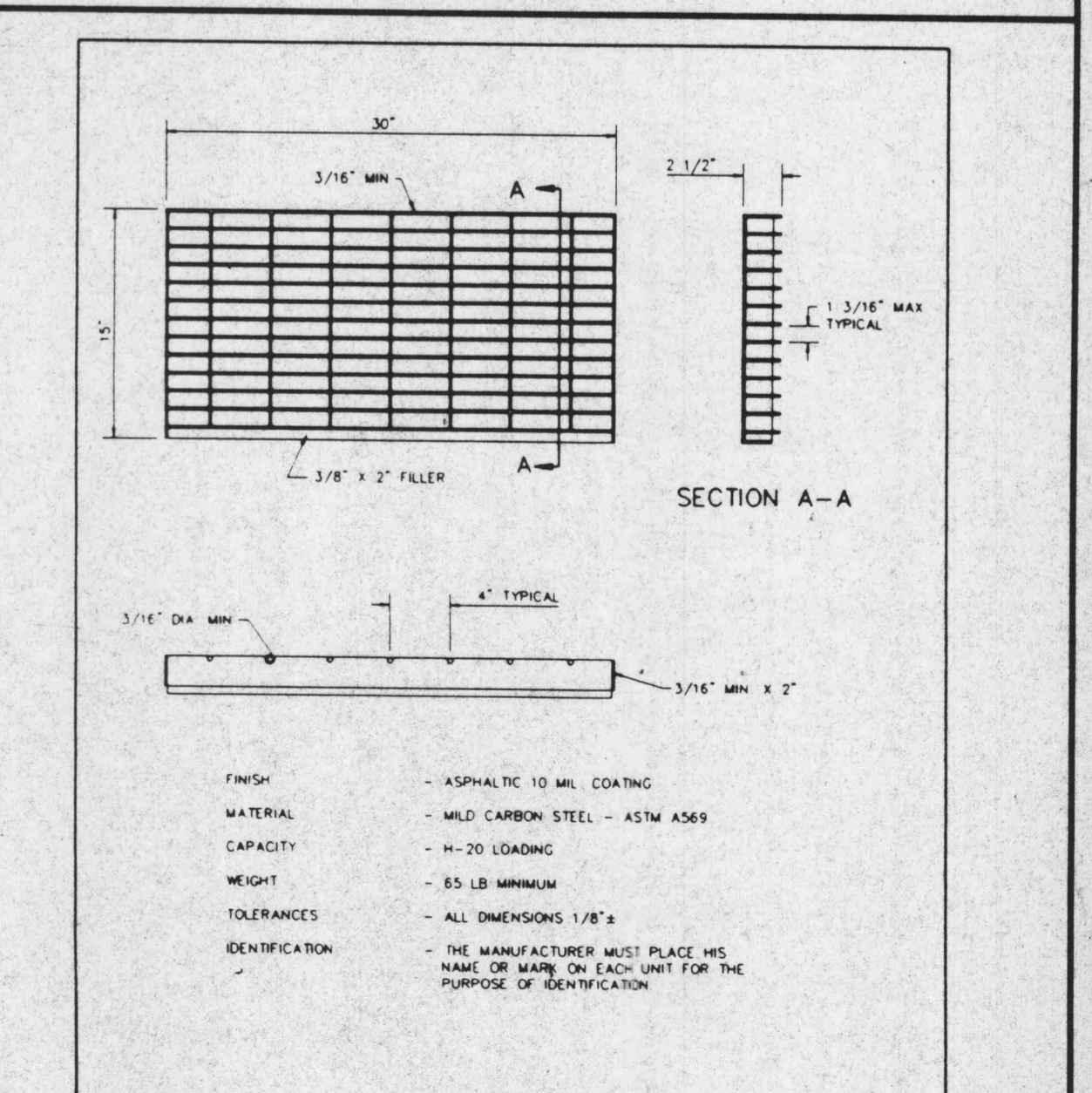
STANDARD - INLET STONES, BLOCKS & DESIGN DETAILS  
METROPOLITAN ST. LOUIS SEWER DISTRICT  
Standard Details of Sewer Construction  
Dr. W.S.H. Ch. J.C.K. 1992 SHEET 42



PRE-CAST CONCRETE INLET COVER  
METROPOLITAN ST. LOUIS SEWER DISTRICT  
Standard Details of Sewer Construction  
Dr. W.S.H. Ch. J.C.K. 1992 SHEET 43



DETAILS OF INLET FRAME AND GRATES  
METROPOLITAN ST. LOUIS SEWER DISTRICT  
Standard Details of Sewer Construction  
Dr. R.G.W. Ch. J.C.K. 1992 SHEET 44



DETAIL OF STEEL GRATE  
METROPOLITAN ST. LOUIS SEWER DISTRICT  
Standard Details of Sewer Construction  
Dr. R.G.W. Ch. J.C.K. 1992 SHEET 45