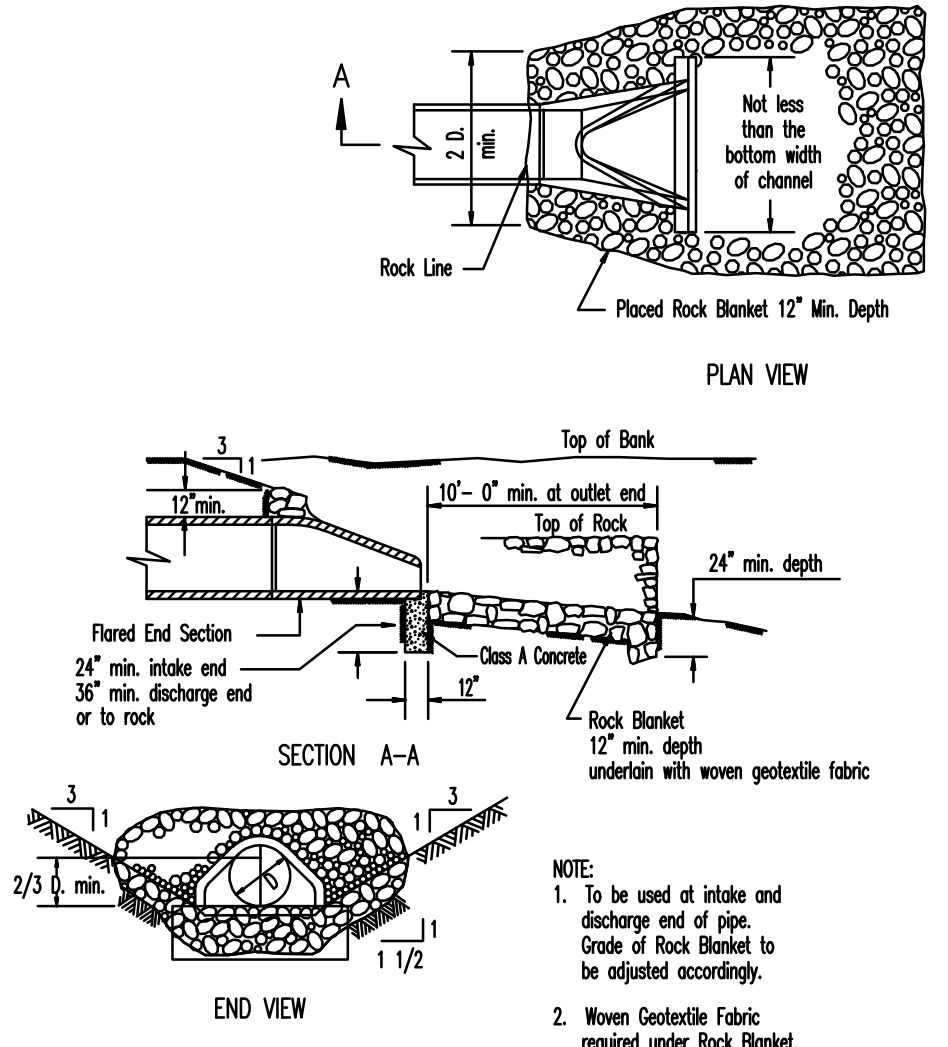


CITY OF O'FALLON
ENGINEERING DEPARTMENT
O'FALLON, MISSOURI

CLASS A UNDERDRAINS



MSD Type 5 Rock Blanket (% By Weight Passing)

Sieve	Maximum	Minimum
12 inch	90	70
6 inch	30	10
1/2 inch	5	0

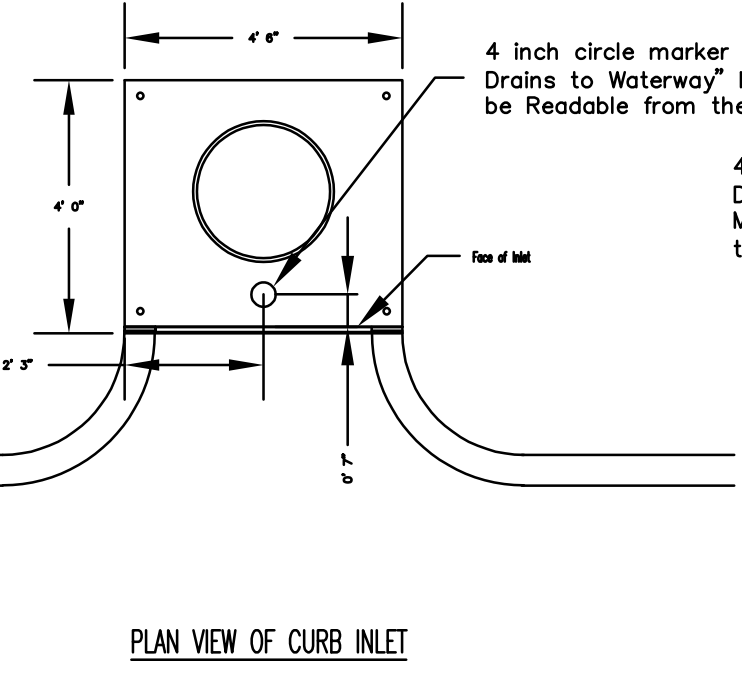
CITY OF O'FALLON
ENGINEERING DEPARTMENT
O'FALLON, MISSOURI

SEWER CONSTRUCTION DETAILS (INLET/OUTLET PROTECTION)

* The discharge point of all flared end sections shall be protected by rip rap or other approved means.
** Rip rap shown at flared end sections will be evaluated in the field by the Engineer, Contractor, and City Inspectors after installation for effectiveness and field modified, if necessary to reduce erosion on and off site.

* The City of O'Fallon must be provided with a symbol/medallion for review and approval prior to installation. Contact the City if any information is needed.

Size	Style	Adhesive	Message (Part #)
3 7/8" TO 4"	Crystal Cap or Standard Style	Epoxy	No Dumping Drains to Waterway

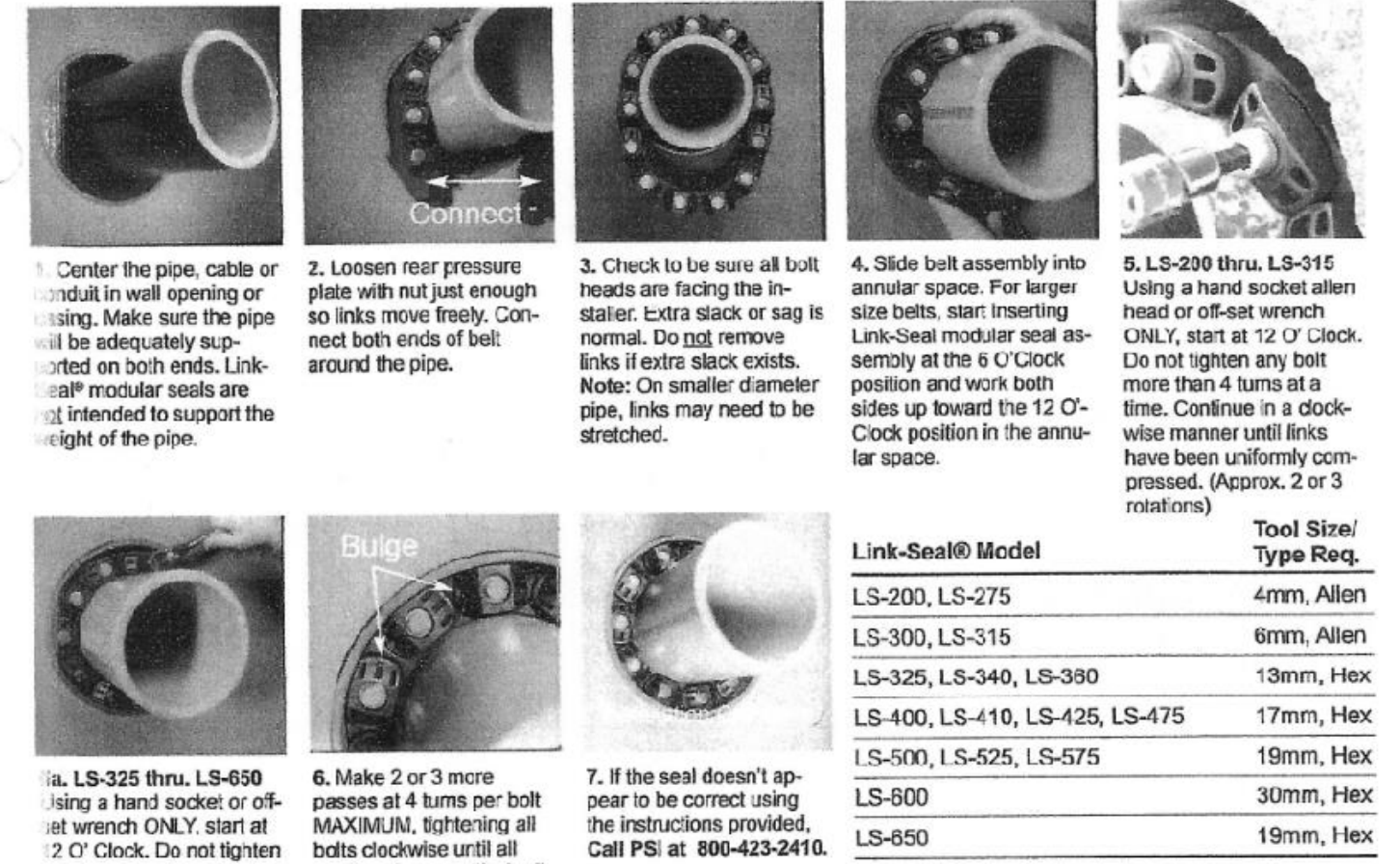


PLAN VIEW OF AREA INLET

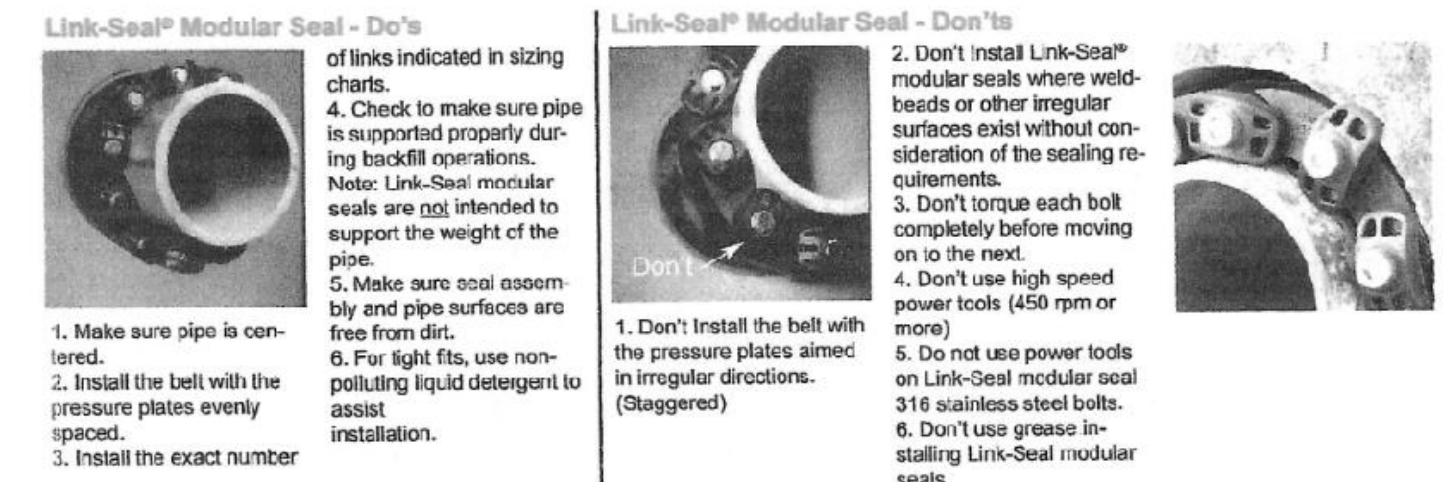
CITY OF O'FALLON
ENGINEERING DEPARTMENT
O'FALLON, MISSOURI

STORM DRAIN MARKER LOCATION

Installation Techniques - Link-Seal® Modular Seals

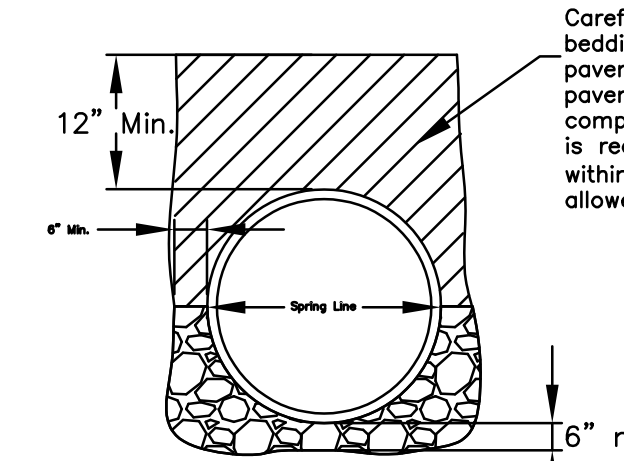


Always Wear Safety Equipment When Using Link-Seal® Modular Seals!



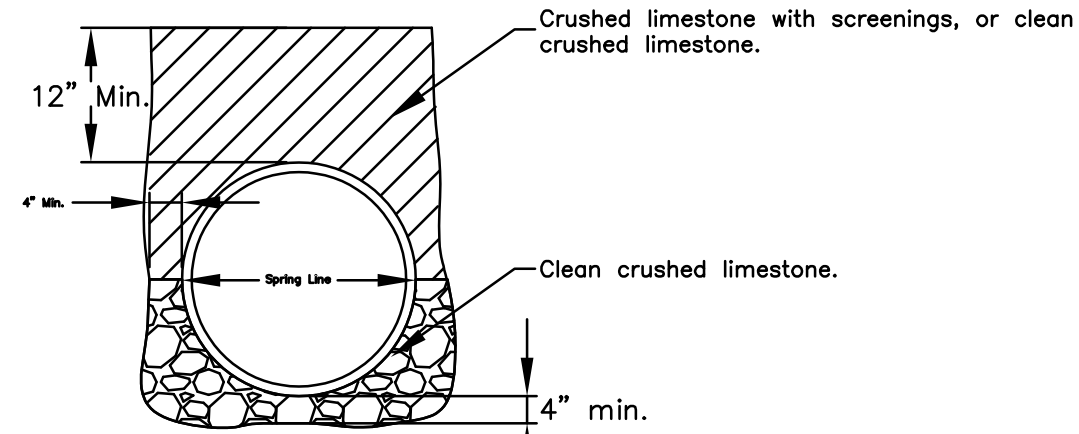
If the seal doesn't appear to be correct using the techniques provided, call PSI at 713-747-6943 or 800-423-2410.

* All other Storm Details will be by M.S.D. 2000 Standards and Specifications.
** All inlets shall have 5/8" trash bar centered with the opening(s).



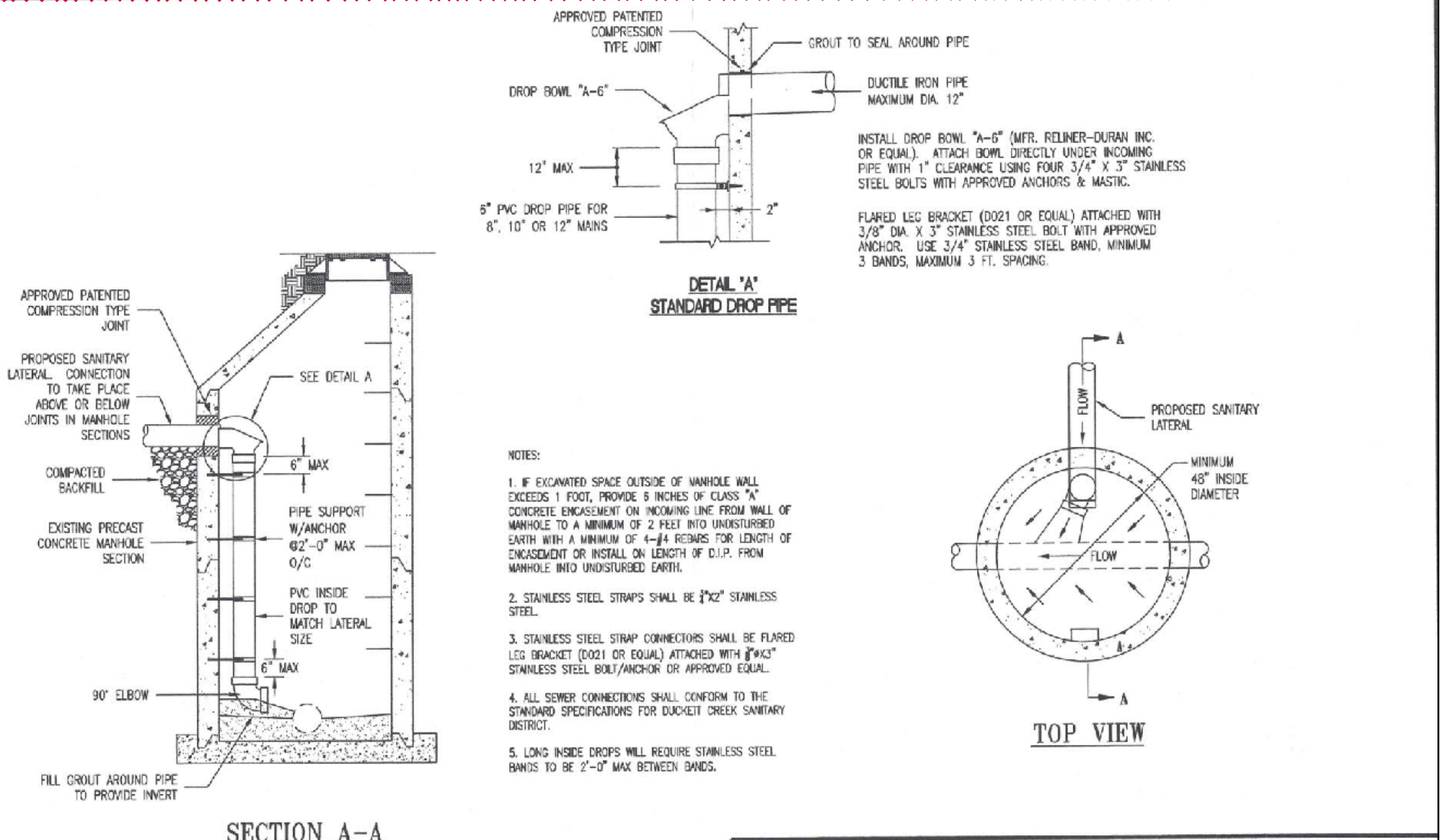
CITY OF O'FALLON
ENGINEERING DEPARTMENT
O'FALLON, MISSOURI

STORM SEWER TRENCH DETAIL



CITY OF O'FALLON
ENGINEERING DEPARTMENT
O'FALLON, MISSOURI

SANITARY SEWER TRENCH DETAIL

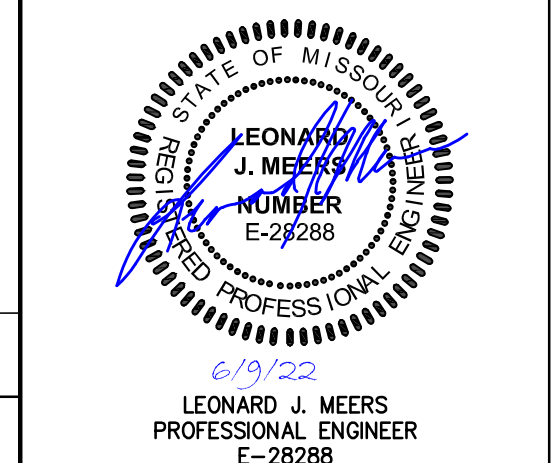


Duckett Creek Sanitary District
INSIDE DROP GRAVITY LATERAL CONNECTION DETAIL
DATE: DEC. 2015
PAGE NO: 28A

NO.	DESCRIPTION	DATE
1	CITY COMMENTS	02-24-2022
2	CITY/UTIL COMMENTS	03-14-2022

PROJECT TITLE
O'FALLON U-HAUL
1200 S. OUTER ROAD
O'FALLON, MO 63366

GRIMES CONSULTING, INC.
Civil Engineering & Surveying Services
GRIMES CONSULTING, INC.
GENERAL ENGINEER CORPORATION, E-1470-D
PROFESSIONAL LAND SURVEYING CORPORATION, LS-343-D
12300 OLD TESSON ROAD
SUITE E, 3000
O'FALLON, MO 63328
PH. (314) 849-6100
PH. (314) 849-6010
FAX (314) 849-6010
www.grimesconsulting.com



Developer / Owner Information
UHAUL
CONTACT: MICHAEL WHITE
314-952-6203
Email: michael_white@uhhaul.com

STORM AND SANITARY DETAILS

P+Z No.
Approval Date:
City No.
Page No.
C8.0

PREPARED FOR:
BRINKMANN CONSTRUCTORS
CONTACT: JACOB ENGLERT
16650 CHESTERFIELD GROVE RD, SUITE 100
CHESTERFIELD, MO 63005
PH: (636) 537-9700
E: JEnglert@brinkmannconstructors.com