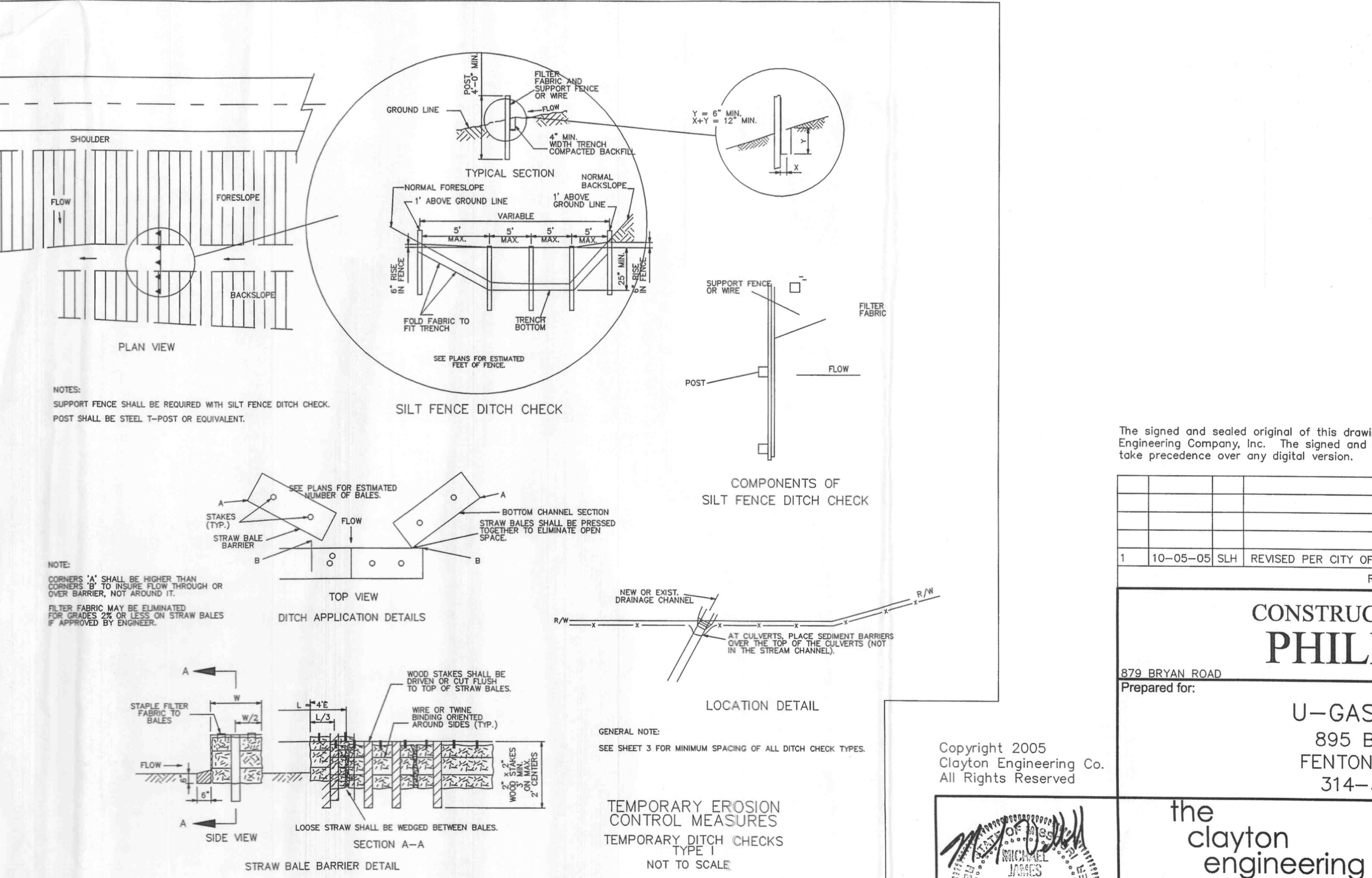
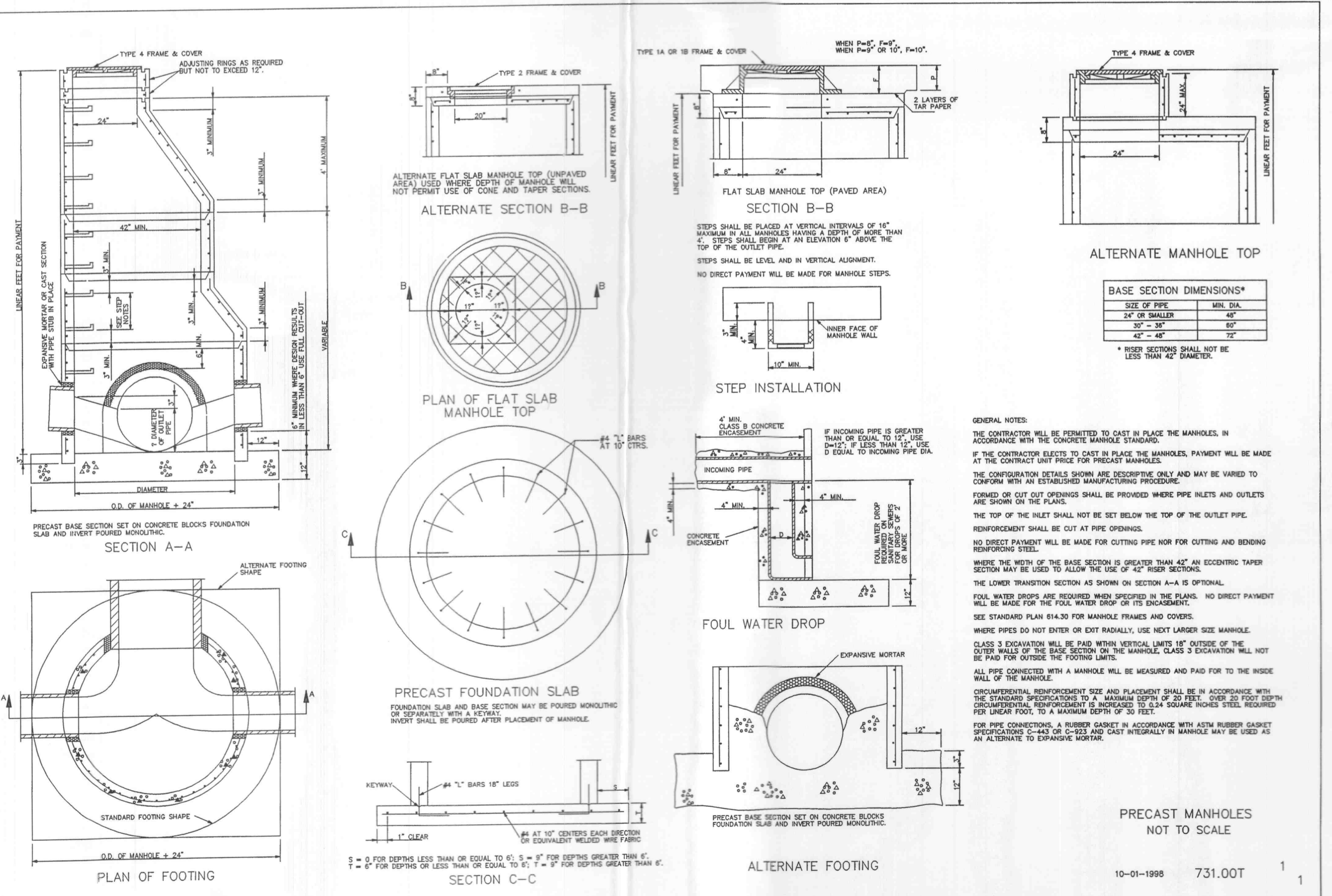
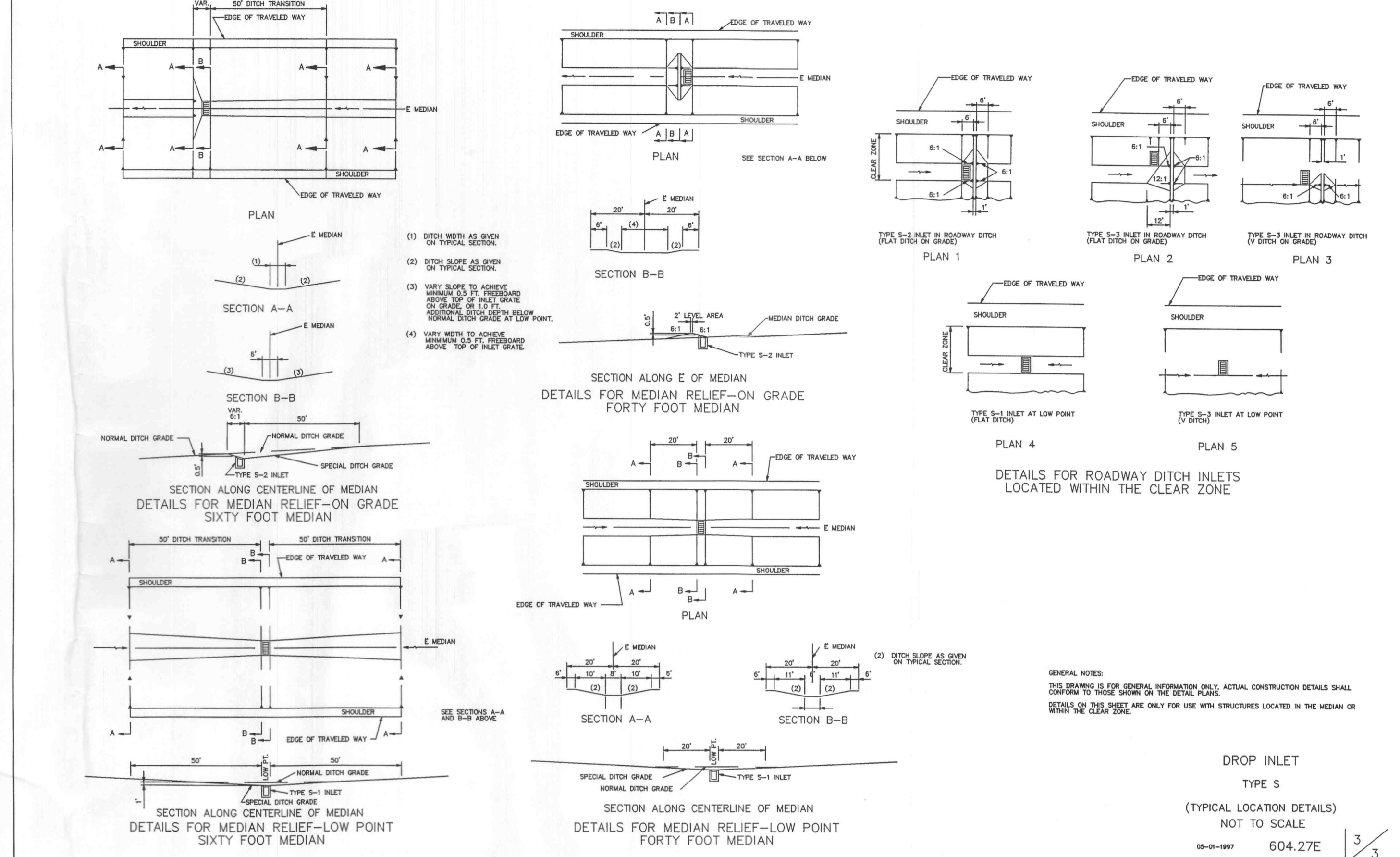
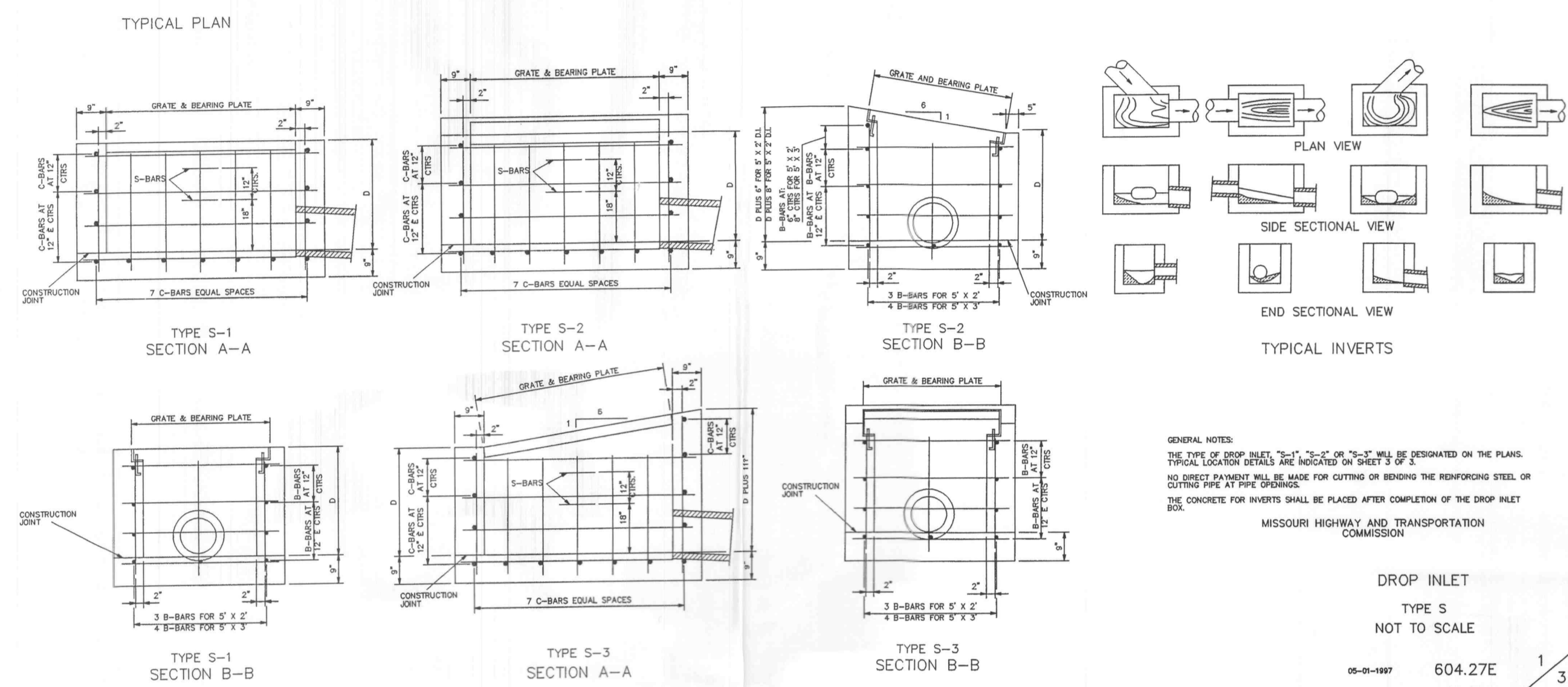


QUANTITIES		TYPE S-1		TYPE S-2		TYPE S-3	
NO.	DESCRIPTION	QTY	UNIT	QTY	UNIT	QTY	UNIT
1	CONCRETE FOR INVERT	1.00	CU YD	1.00	CU YD	1.00	CU YD
2	CONCRETE FOR WALK	1.00	CU YD	1.00	CU YD	1.00	CU YD
3	CONCRETE FOR CURB	1.00	CU YD	1.00	CU YD	1.00	CU YD
4	CONCRETE FOR SIDEWALK	1.00	CU YD	1.00	CU YD	1.00	CU YD
5	CONCRETE FOR DRIVEWAY	1.00	CU YD	1.00	CU YD	1.00	CU YD
6	CONCRETE FOR DRIVEWAY	1.00	CU YD	1.00	CU YD	1.00	CU YD
7	CONCRETE FOR DRIVEWAY	1.00	CU YD	1.00	CU YD	1.00	CU YD
8	CONCRETE FOR DRIVEWAY	1.00	CU YD	1.00	CU YD	1.00	CU YD
9	CONCRETE FOR DRIVEWAY	1.00	CU YD	1.00	CU YD	1.00	CU YD
10	CONCRETE FOR DRIVEWAY	1.00	CU YD	1.00	CU YD	1.00	CU YD
11	CONCRETE FOR DRIVEWAY	1.00	CU YD	1.00	CU YD	1.00	CU YD
12	CONCRETE FOR DRIVEWAY	1.00	CU YD	1.00	CU YD	1.00	CU YD
13	CONCRETE FOR DRIVEWAY	1.00	CU YD	1.00	CU YD	1.00	CU YD
14	CONCRETE FOR DRIVEWAY	1.00	CU YD	1.00	CU YD	1.00	CU YD
15	CONCRETE FOR DRIVEWAY	1.00	CU YD	1.00	CU YD	1.00	CU YD
16	CONCRETE FOR DRIVEWAY	1.00	CU YD	1.00	CU YD	1.00	CU YD
17	CONCRETE FOR DRIVEWAY	1.00	CU YD	1.00	CU YD	1.00	CU YD
18	CONCRETE FOR DRIVEWAY	1.00	CU YD	1.00	CU YD	1.00	CU YD
19	CONCRETE FOR DRIVEWAY	1.00	CU YD	1.00	CU YD	1.00	CU YD
20	CONCRETE FOR DRIVEWAY	1.00	CU YD	1.00	CU YD	1.00	CU YD
21	CONCRETE FOR DRIVEWAY	1.00	CU YD	1.00	CU YD	1.00	CU YD
22	CONCRETE FOR DRIVEWAY	1.00	CU YD	1.00	CU YD	1.00	CU YD
23	CONCRETE FOR DRIVEWAY	1.00	CU YD	1.00	CU YD	1.00	CU YD
24	CONCRETE FOR DRIVEWAY	1.00	CU YD	1.00	CU YD	1.00	CU YD
25	CONCRETE FOR DRIVEWAY	1.00	CU YD	1.00	CU YD	1.00	CU YD
26	CONCRETE FOR DRIVEWAY	1.00	CU YD	1.00	CU YD	1.00	CU YD
27	CONCRETE FOR DRIVEWAY	1.00	CU YD	1.00	CU YD	1.00	CU YD
28	CONCRETE FOR DRIVEWAY	1.00	CU YD	1.00	CU YD	1.00	CU YD
29	CONCRETE FOR DRIVEWAY	1.00	CU YD	1.00	CU YD	1.00	CU YD
30	CONCRETE FOR DRIVEWAY	1.00	CU YD	1.00	CU YD	1.00	CU YD
31	CONCRETE FOR DRIVEWAY	1.00	CU YD	1.00	CU YD	1.00	CU YD
32	CONCRETE FOR DRIVEWAY	1.00	CU YD	1.00	CU YD	1.00	CU YD
33	CONCRETE FOR DRIVEWAY	1.00	CU YD	1.00	CU YD	1.00	CU YD
34	CONCRETE FOR DRIVEWAY	1.00	CU YD	1.00	CU YD	1.00	CU YD
35	CONCRETE FOR DRIVEWAY	1.00	CU YD	1.00	CU YD	1.00	CU YD
36	CONCRETE FOR DRIVEWAY	1.00	CU YD	1.00	CU YD	1.00	CU YD
37	CONCRETE FOR DRIVEWAY	1.00	CU YD	1.00	CU YD	1.00	CU YD
38	CONCRETE FOR DRIVEWAY	1.00	CU YD	1.00	CU YD	1.00	CU YD
39	CONCRETE FOR DRIVEWAY	1.00	CU YD	1.00	CU YD	1.00	CU YD
40	CONCRETE FOR DRIVEWAY	1.00	CU YD	1.00	CU YD	1.00	CU YD
41	CONCRETE FOR DRIVEWAY	1.00	CU YD	1.00	CU YD	1.00	CU YD
42	CONCRETE FOR DRIVEWAY	1.00	CU YD	1.00	CU YD	1.00	CU YD
43	CONCRETE FOR DRIVEWAY	1.00	CU YD	1.00	CU YD	1.00	CU YD
44	CONCRETE FOR DRIVEWAY	1.00	CU YD	1.00	CU YD	1.00	CU YD
45	CONCRETE FOR DRIVEWAY	1.00	CU YD	1.00	CU YD	1.00	CU YD
46	CONCRETE FOR DRIVEWAY	1.00	CU YD	1.00	CU YD	1.00	CU YD
47	CONCRETE FOR DRIVEWAY	1.00	CU YD	1.00	CU YD	1.00	CU YD
48	CONCRETE FOR DRIVEWAY	1.00	CU YD	1.00	CU YD	1.00	CU YD
49	CONCRETE FOR DRIVEWAY	1.00	CU YD	1.00	CU YD	1.00	CU YD
50	CONCRETE FOR DRIVEWAY	1.00	CU YD	1.00	CU YD	1.00	CU YD



The signed and sealed original of this drawing is on file at the offices of The Clayton Engineering Company, Inc. The signed and sealed original is the official document and shall take precedence over any digital version.

NO.	DATE	BY	REVISIONS
1	10-05-05	SLH	REVISED PER CITY OF O'FALLON COMMENTS

CONSTRUCTION DETAILS
PHILLIPS 66

879 BRYAN ROAD O'FALLON, MO. 63368
Prepared for: U-GAS STL, INC.
895 BOLGER CT.
FENTON, MO 63026
314-343-9770

Copyright 2005 Clayton Engineering Co. All Rights Reserved.

the clayton engineering company, inc.
ENGINEERS • SURVEYORS • PLANNERS
11920 WESTLINE INDUSTRIAL DRIVE
ST. LOUIS, MISSOURI 63146
(314) 692-8888 FAX: (314) 692-8888
clayton-engineering.com

Designed: SWQ
Drawn: SLH, MRW
Checked: MJV
Date: 07-06-05
Project Number: 04221
Sheet Number: 6 of 6

