

SUBMITTALS		
A	04/21/05	ISSUED FOR REVIEW ANP
0	05/03/05	ISSUED FOR CONSTRUCTION MTG
1	05/27/05	REVISED PER CLIENT COMMENTS FG
2	06/08/05	REVISED PER CLIENT COMMENTS FG

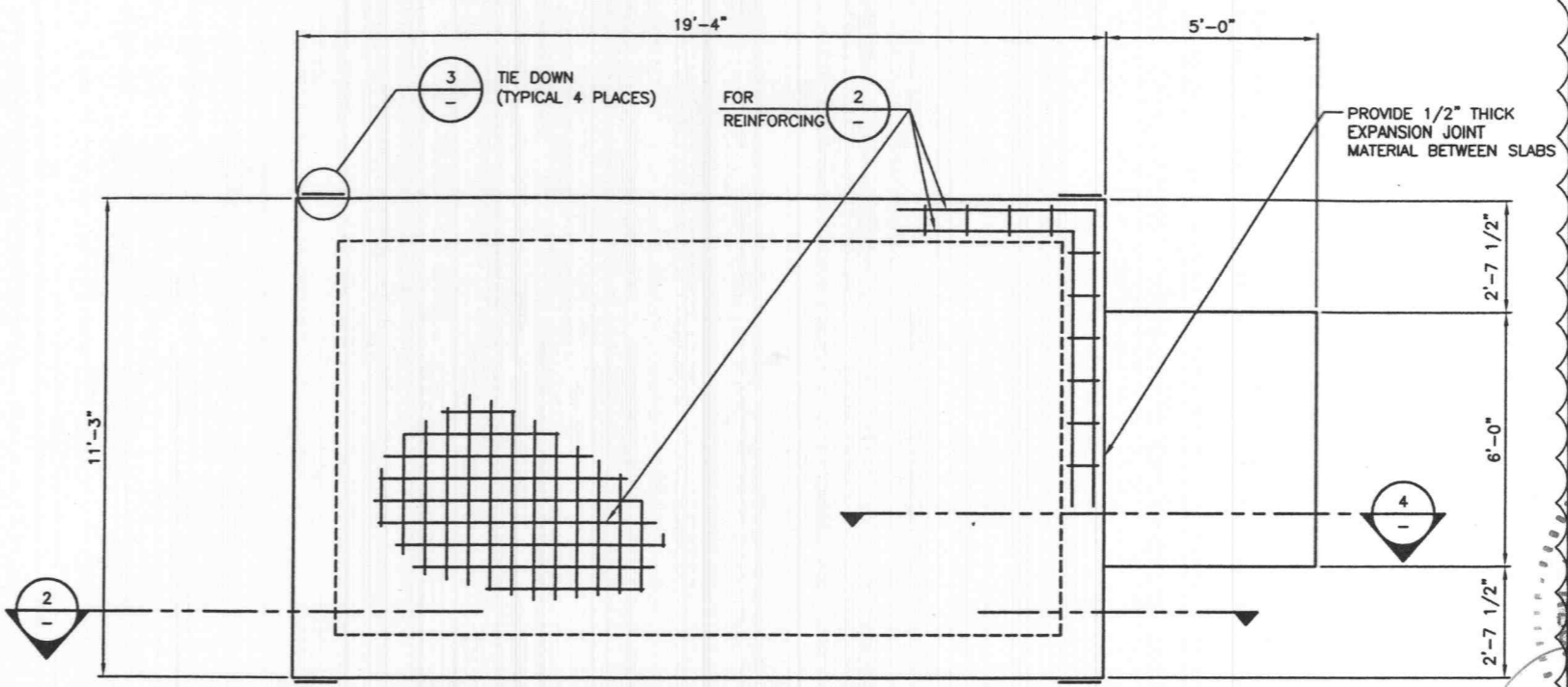
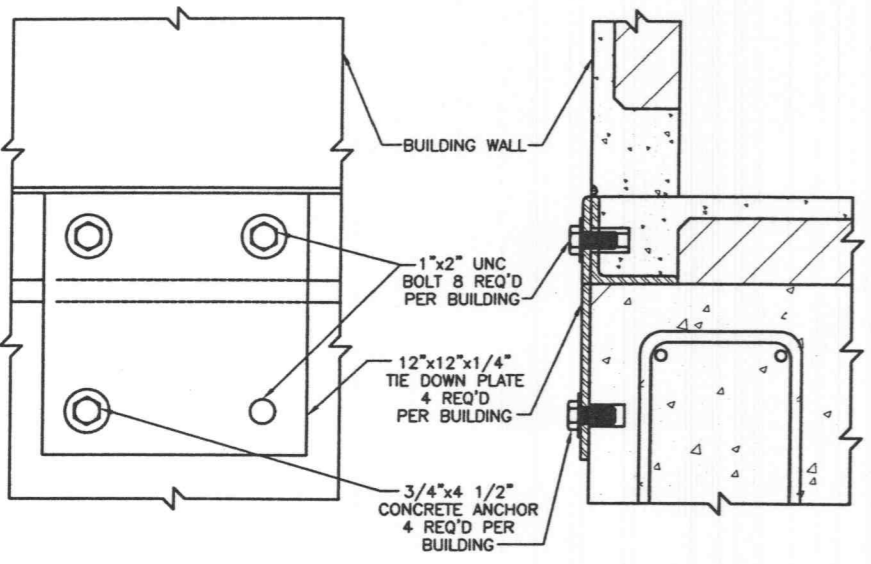
THE INFORMATION CONTAINED IN THIS SET OF DOCUMENTS IS PROPRIETARY BY NATURE. ANY USE OR DISCLOSURE OTHER THAN THAT WHICH RELATES TO US CELLULAR COMMUNICATIONS INC. IS STRICTLY PROHIBITED.

SITE NAME
 CITY OF O'FALLON
 (USCC SITE NAME: ST. PAUL)
 321 FIRMA ROAD
 O'FALLON, MISSOURI 63366

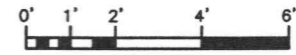
SHEET TITLE
 FOUNDATION PLAN
 AND DETAILS

SHEET NUMBER
 A-5

A



- NOTES:**
- SHELTER WILL BE FURNISHED BY OWNER AND TO BE INSTALLED BY CONTRACTOR.
 - SHIM SHELTER (AS REQUIRED) AND CAULK ALL AROUND.
 - ALLOW SHELTER TO SET FOR 7 DAYS BEFORE SHIMMING, CAULKING, AND ANCHORING.



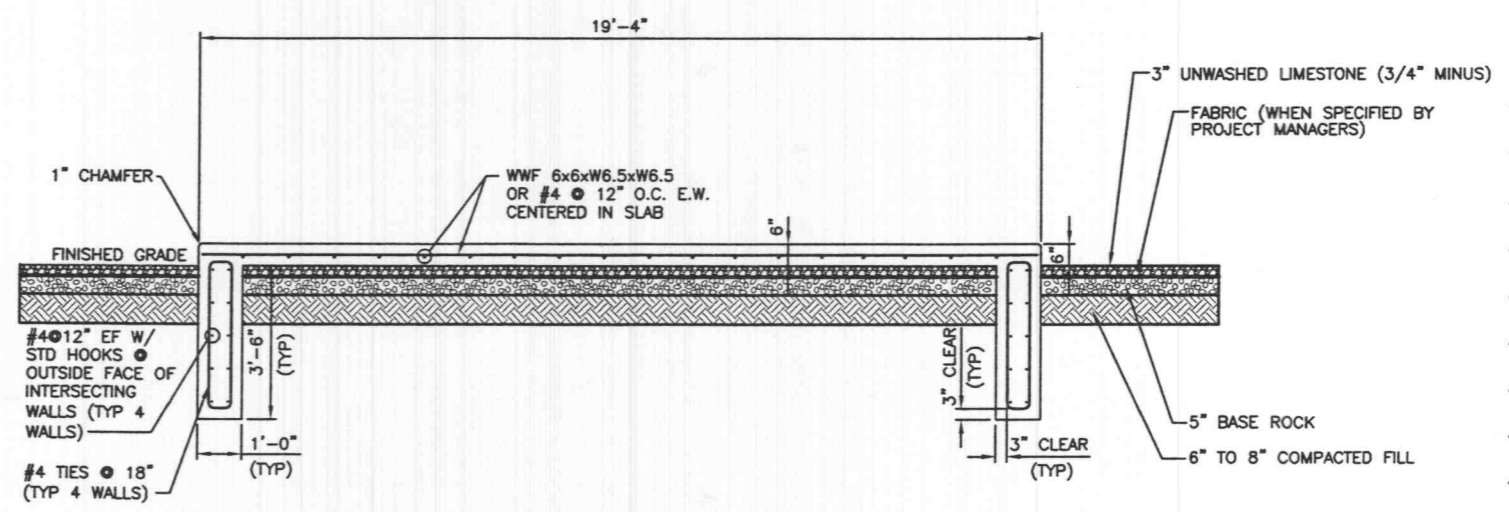
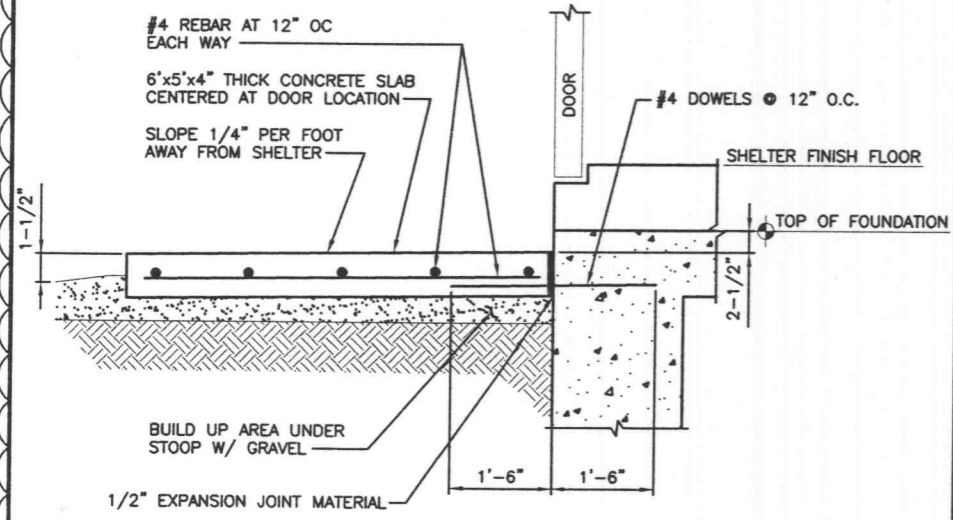
- TIE DOWN BRACKET & BOLTS**
- SUPPLIED BY SHELTER MANUFACTURER INSTALLED BY CONTRACTOR
 - VERIFY CONNECTION POINTS WITH SHELTER MANUFACTURER

SHELTER/FND ATTACHMENT DETAIL

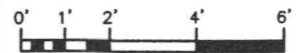
3

SHELTER FOUNDATION PLAN

1



- NOTES:**
- SEE DETAIL 1 ON DRAWING A-6 FOR FOUNDATION SPECIFICATIONS.



SLOOP DETAIL

4

SHELTER FOUNDATION SECTION

2