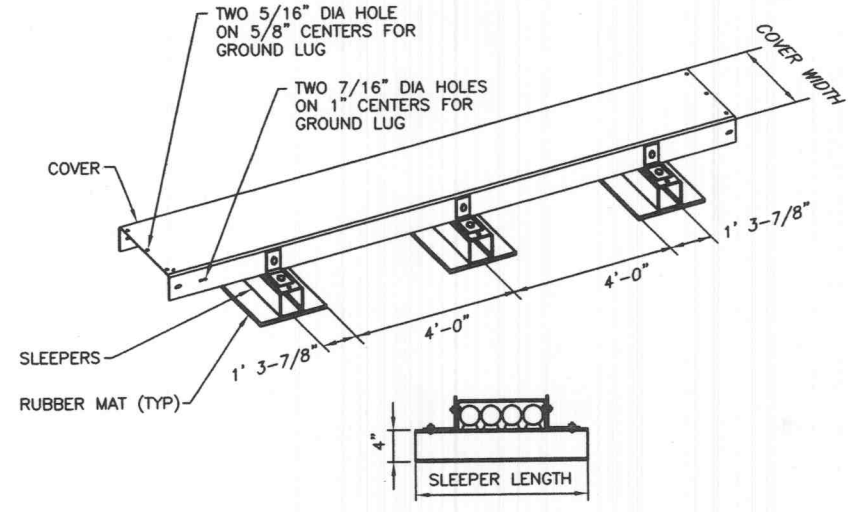
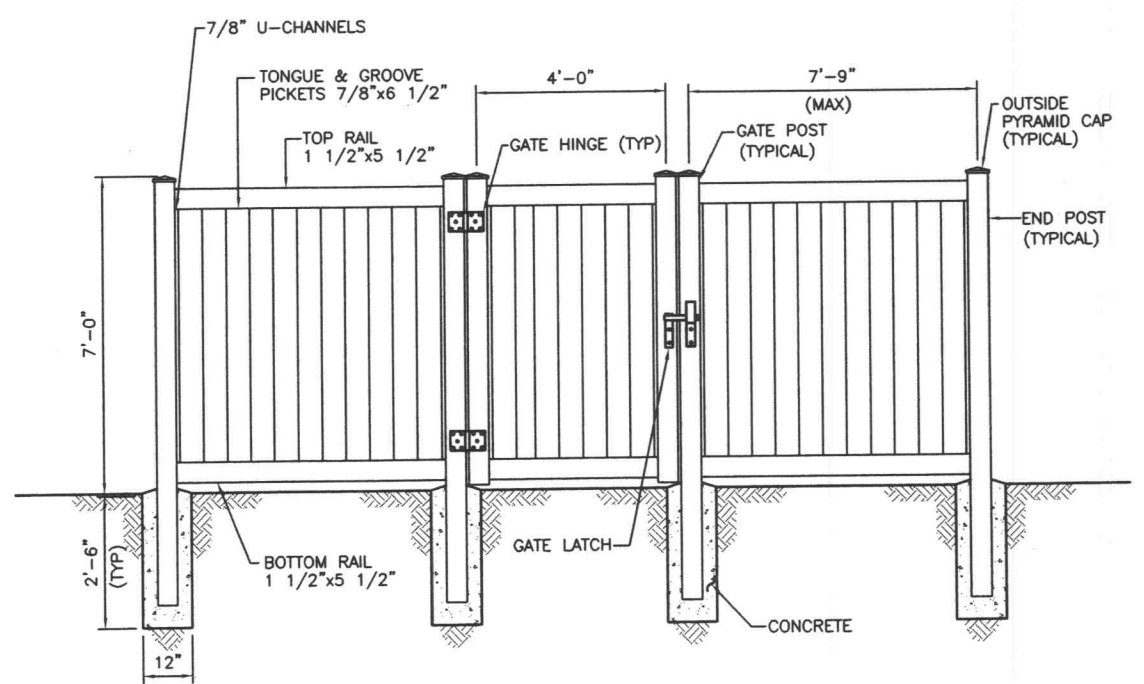


BRIDGE KIT PRODUCT NUMBER	STRAIGHT SPLICE PRODUCT NUMBER	0'-45' SPLICE PRODUCT NUMBER	20'-90' PRODUCT NUMBER	COAX LINES SUPPORTED	COVER THICKNESS	WIDTH	SLEEPER LENGTH
B1542-11	B1544-11	B1573	B1963	FOUR	11 GA	11-1/2"	1' 10"
B1542-14	B1544-14	---	---		14 GA		
B1543	B1545	B1574	B1964	EIGHT	11 GA	1' 9-1/2"	2' 7-7/8"
B1595	B1596	B1597	B2112	TWELVE	11 GA	2' 9"	3' 7-3/8"

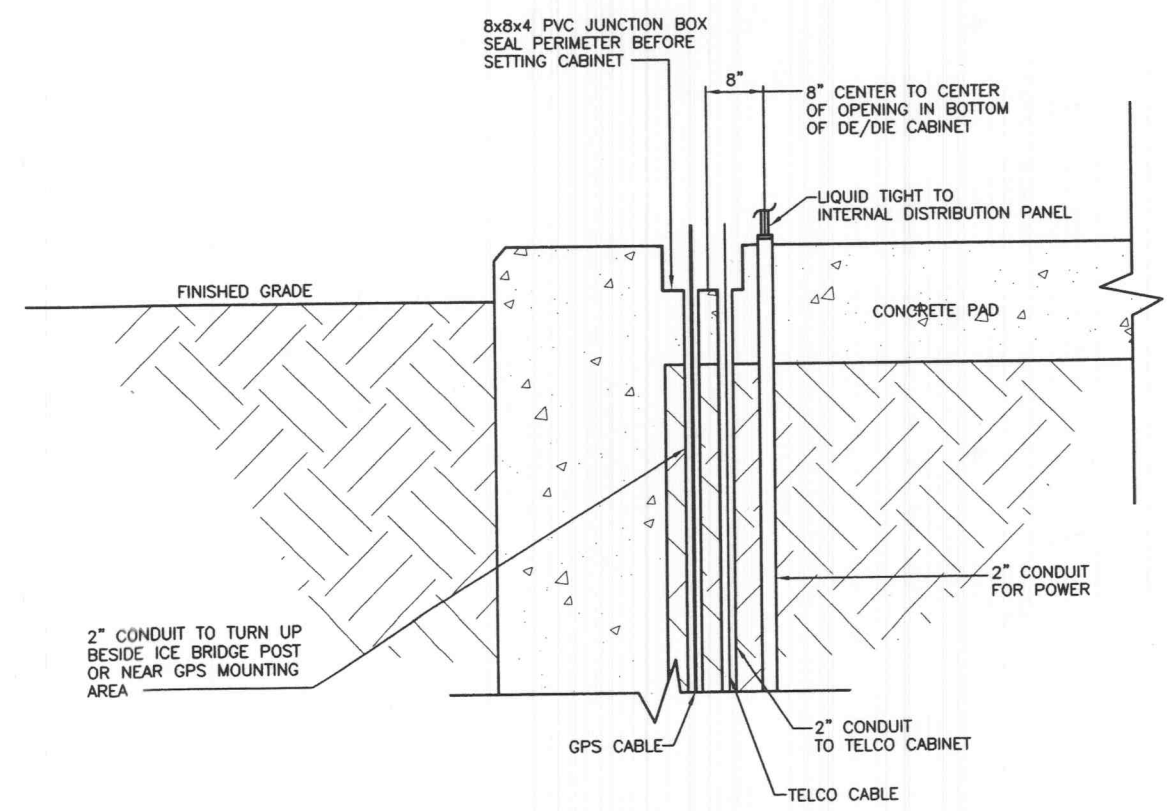


CABLE TRAY DETAIL

A VINYL FENCE & DECK WHOLESALER
 (541)273-2102
 (831)440-1400
 info@vinylfenceanddeck.com



TYPICAL 4' GATE DETAIL

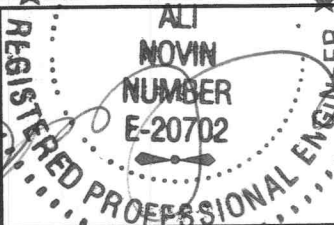


CONCRETE PAD CONDUIT PENETRATIONS



SELECTIVE SITE CONSULTANTS, INC.
 A Site Analysis, Engineering, and Construction Quality Assurance Company
 1816 Lackland Hills Parkway, Suite 400
 St. Louis, Missouri 63146
 Phone: 314-993-1010
 Fax: 314-993-1036

CIS COMMUNICATIONS, LLC
 165 N MERAMEC AVE, STE. 400
 CLAYTON, MO, 63105
 OFFICE: 314-721-5405
 FAX: 314-727-6503
 TOLL-FREE: 877-740-8600



SUBMITTALS		
A	05/23/06	ISSUED FOR REVIEW ANP
0	05/25/06	ISSUED FOR CONSTRUCTION ANP

THE INFORMATION CONTAINED IN THIS SET OF DOCUMENTS IS PROPRIETARY BY NATURE. ANY USE OR DISCLOSURE OTHER THAN THAT WHICH RELATES TO US CELLULAR COMMUNICATIONS INC. IS STRICTLY PROHIBITED.

SITE NAME
MEXICO AND HIGHWAY K
 8621-8635 MEXICO ROAD
 O'FALLON, MISSOURI 63304

SHEET TITLE
DETAILS (2 OF 2)

SHEET NUMBER
A-6