

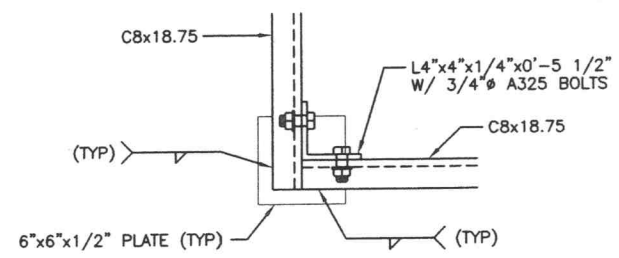
SUBMITTALS		
A	05/23/06	ISSUED FOR REVIEW ANP
O	05/25/06	ISSUED FOR CONSTRUCTION ANP

THE INFORMATION CONTAINED IN THIS SET OF DOCUMENTS IS PROPRIETARY BY NATURE. ANY USE OR DISCLOSURE OTHER THAN THAT WHICH RELATES TO US CELLULAR COMMUNICATIONS INC. IS STRICTLY PROHIBITED.

SITE NAME  
 MEXICO AND HIGHWAY K  
 8621-8635 MEXICO ROAD  
 O'FALLON, MISSOURI 63304

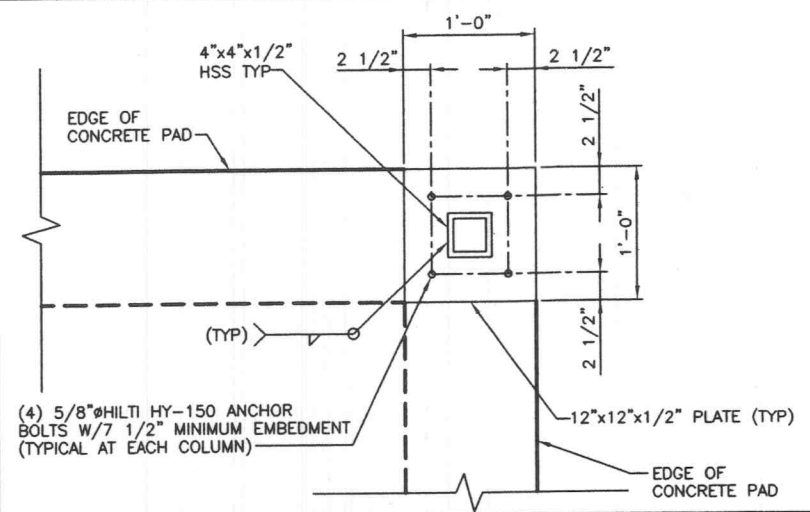
SHEET TITLE  
 CANOPY PLAN AND ELEVATIONS

SHEET NUMBER  
 A-7

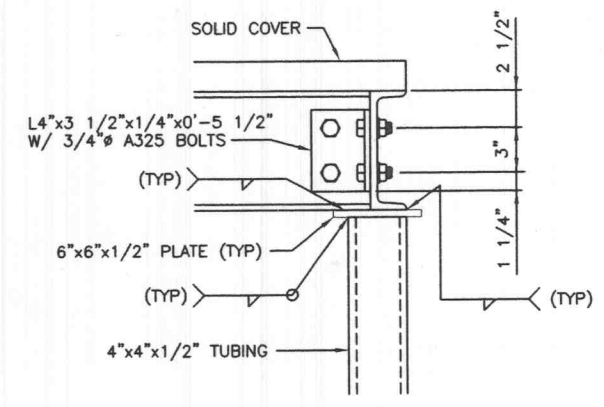


TOP VIEW

TYPICAL C8x18.75 TO C8x18.75 CONNECTION 4

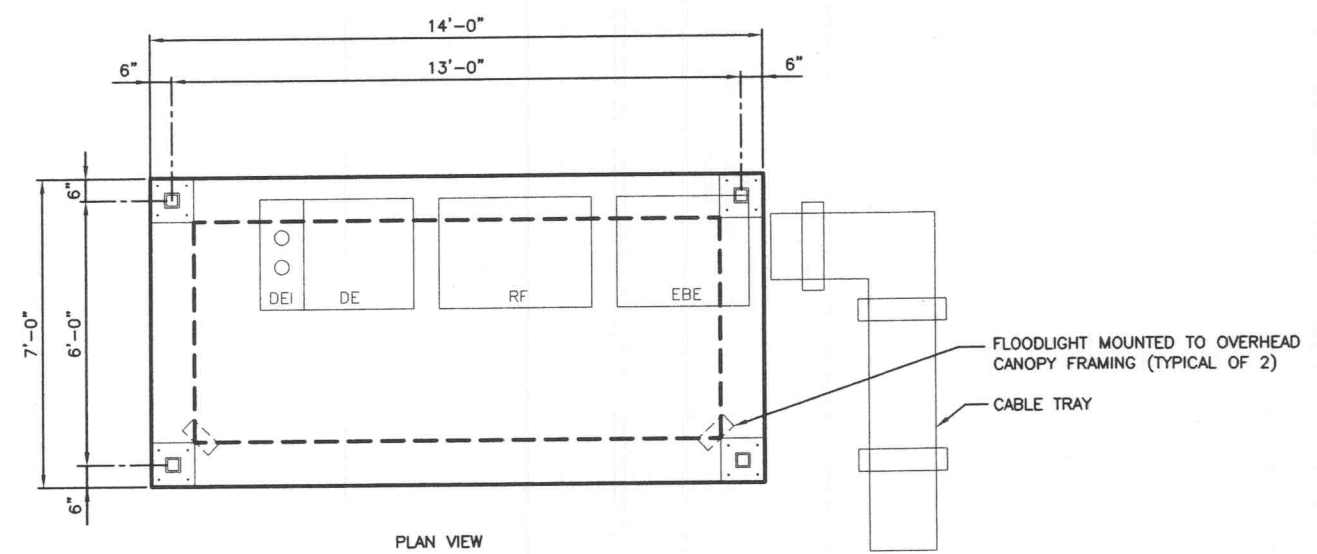


TYPICAL BASE PLATE ATTACHMENT DETAIL 3



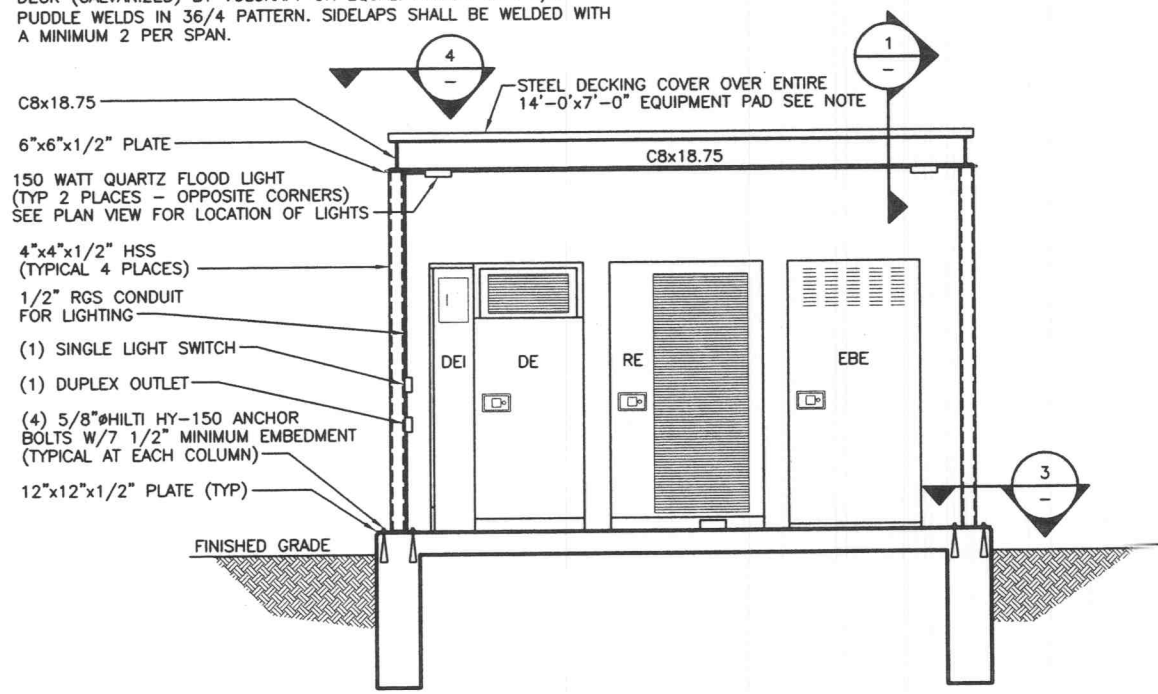
ELEVATION VIEW

TYPICAL C8x18.75 TO C8x18.75 CONNECTION 1

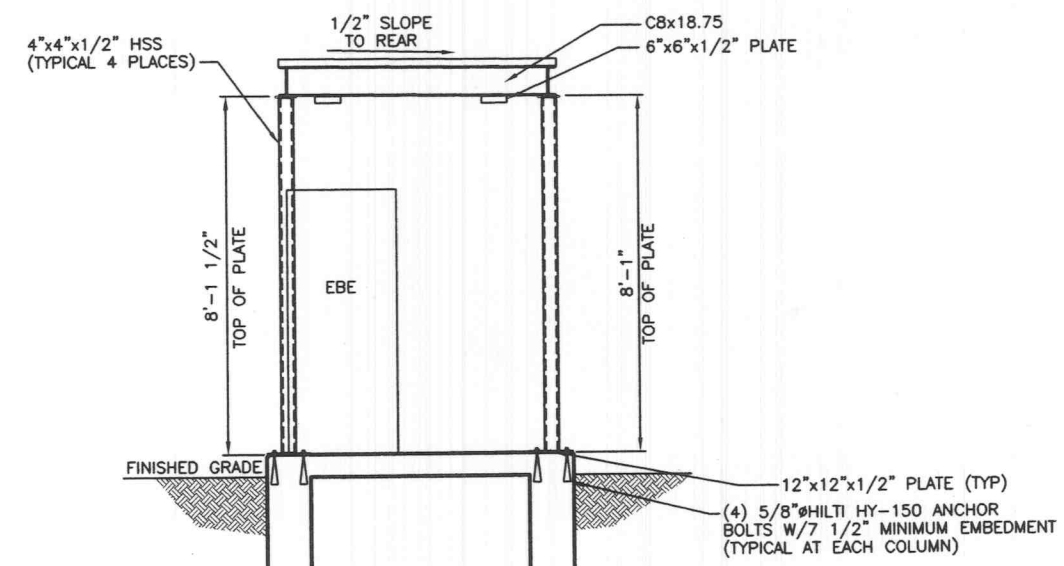


PLAN VIEW

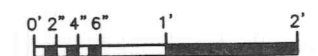
**NOTE**  
 STEEL DECKING COVER SHALL BE 1 1/2" 18 GAGE TYPE B ROOF DECK (GALVANIZED) BY VULCRAFT OR EQUAL. ATTACH WITH 5/8" PUDDLE WELDS IN 36/4 PATTERN. SIDELAPS SHALL BE WELDED WITH A MINIMUM 2 PER SPAN.



FRONT ELEVATION



RIGHTSIDE ELEVATION



EQUIPMENT PAD CANOPY 2