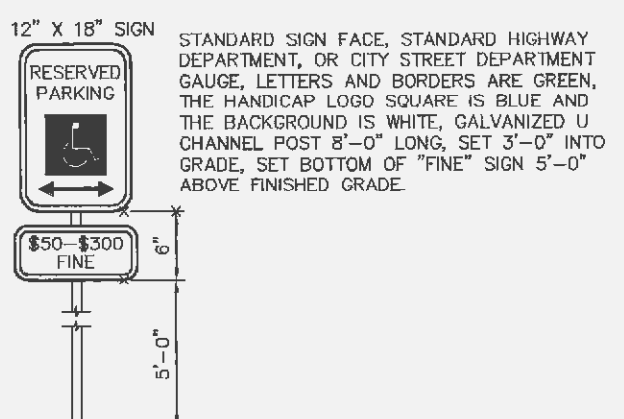
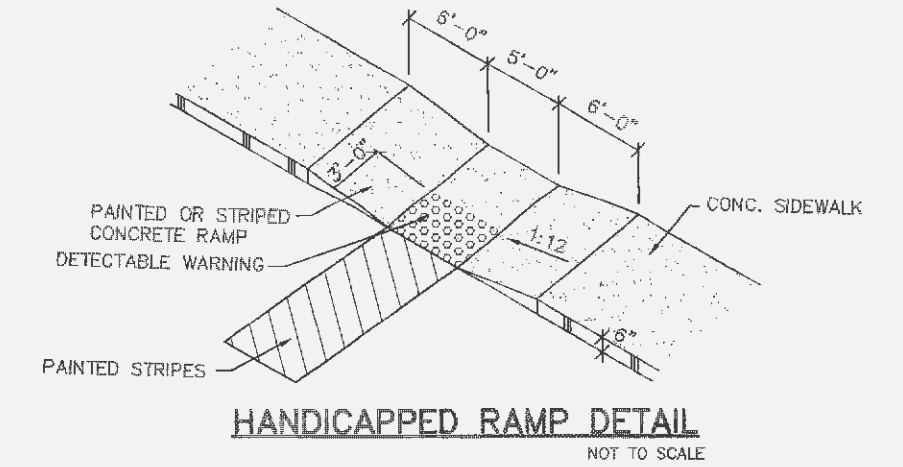


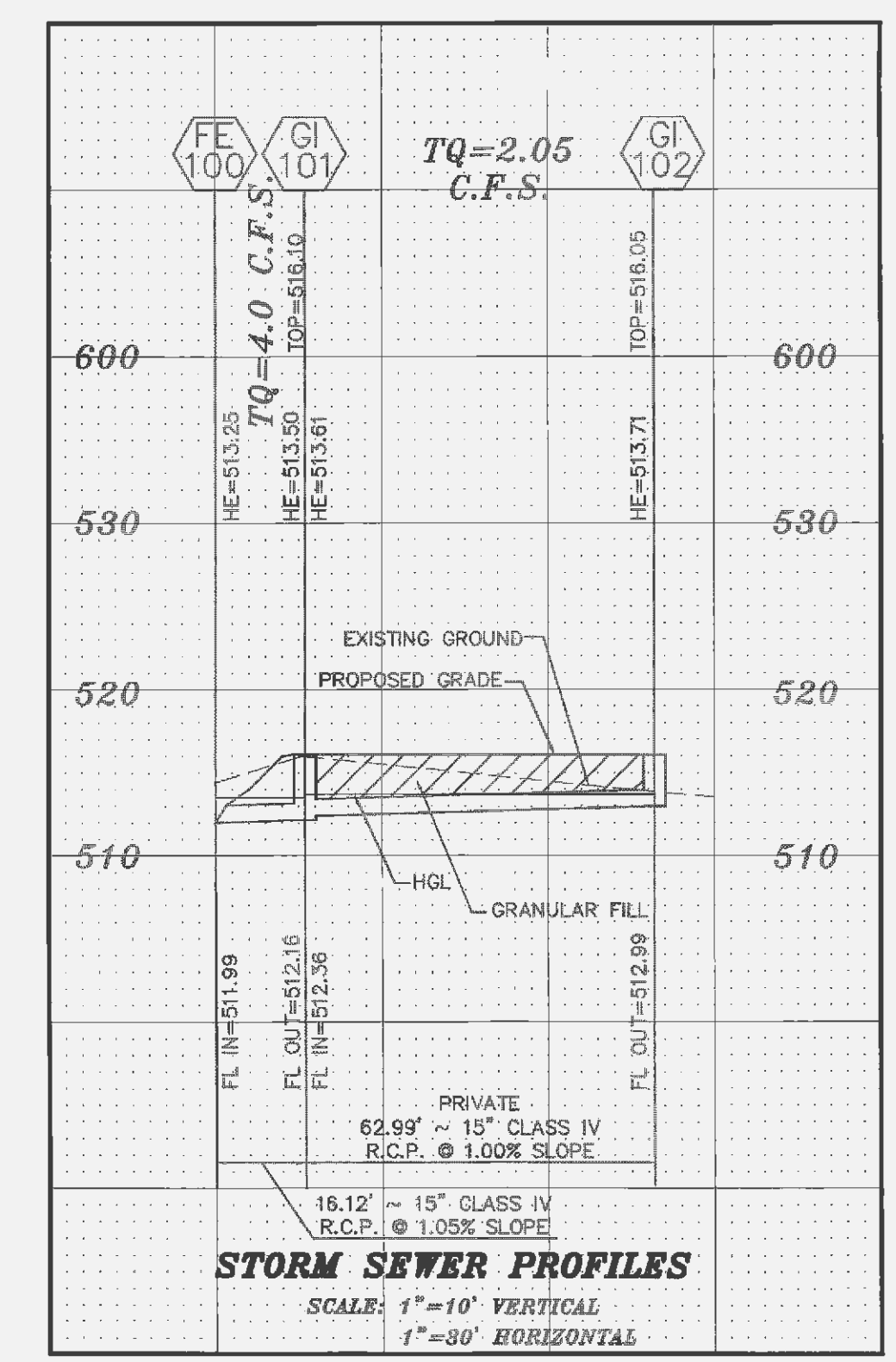
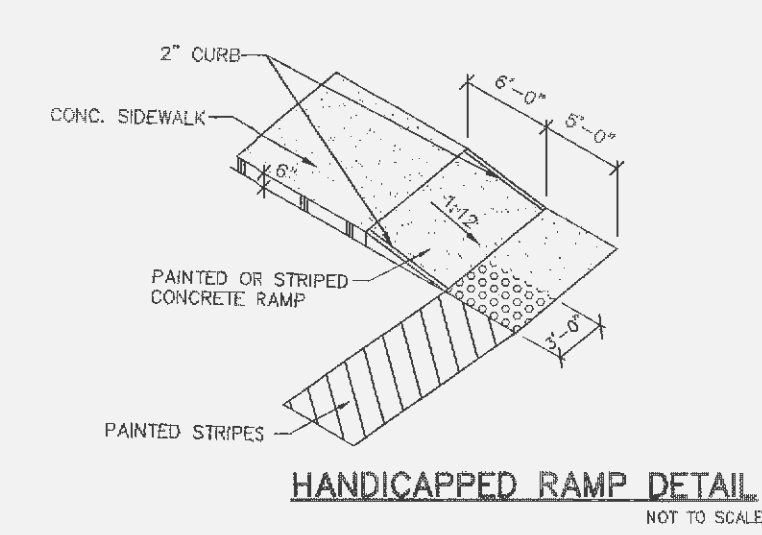
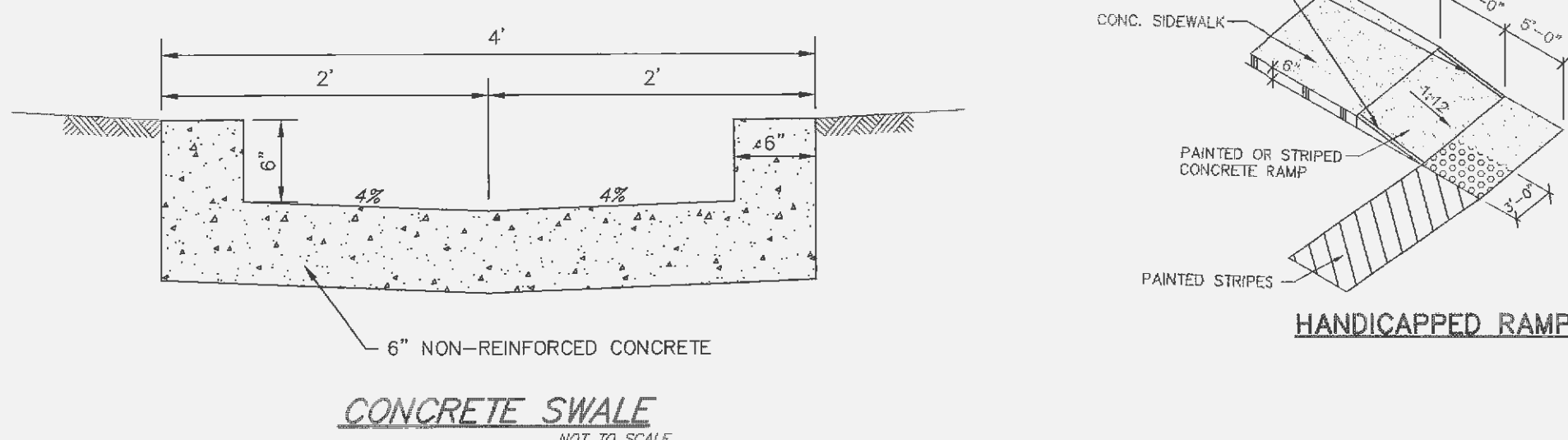
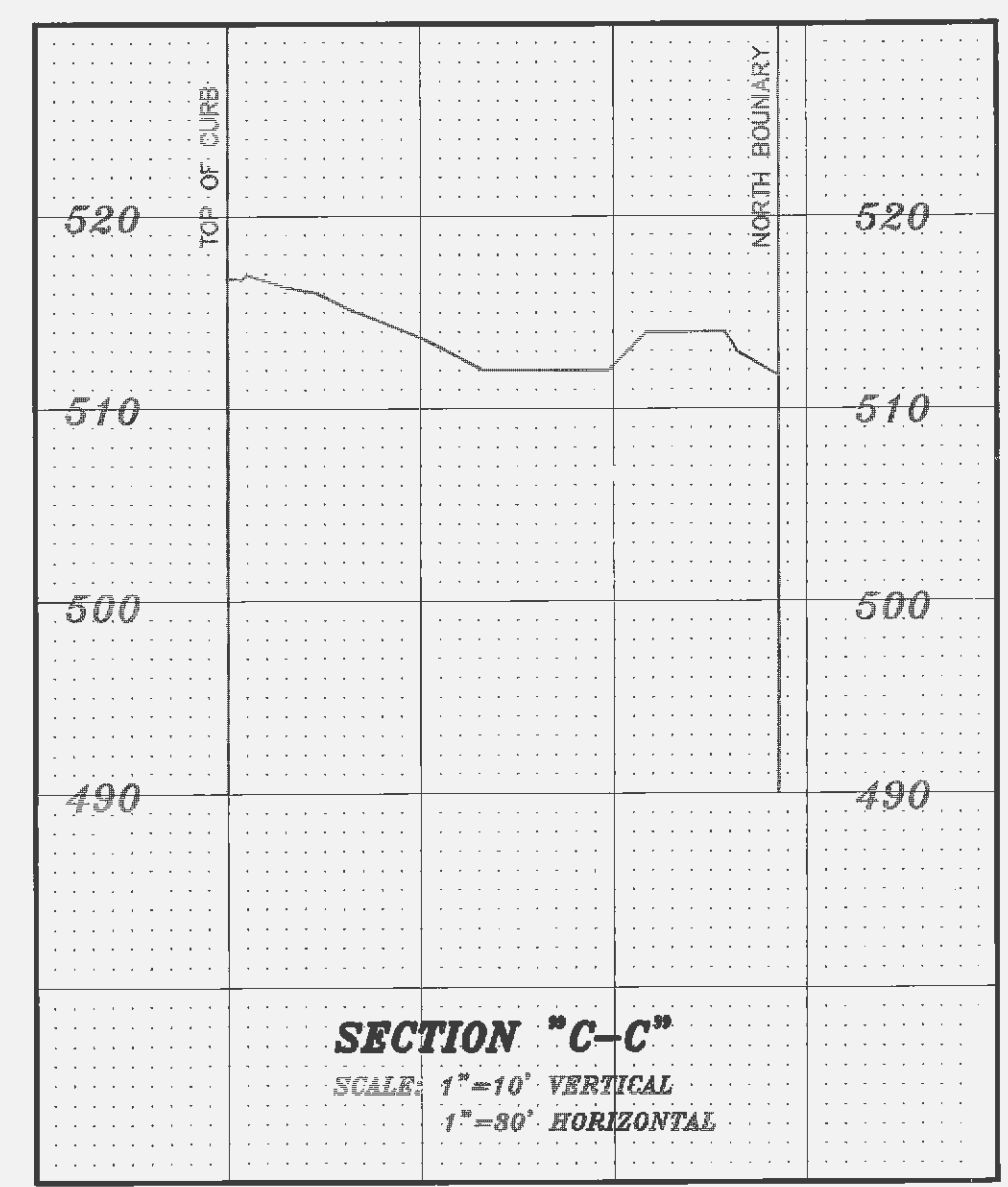
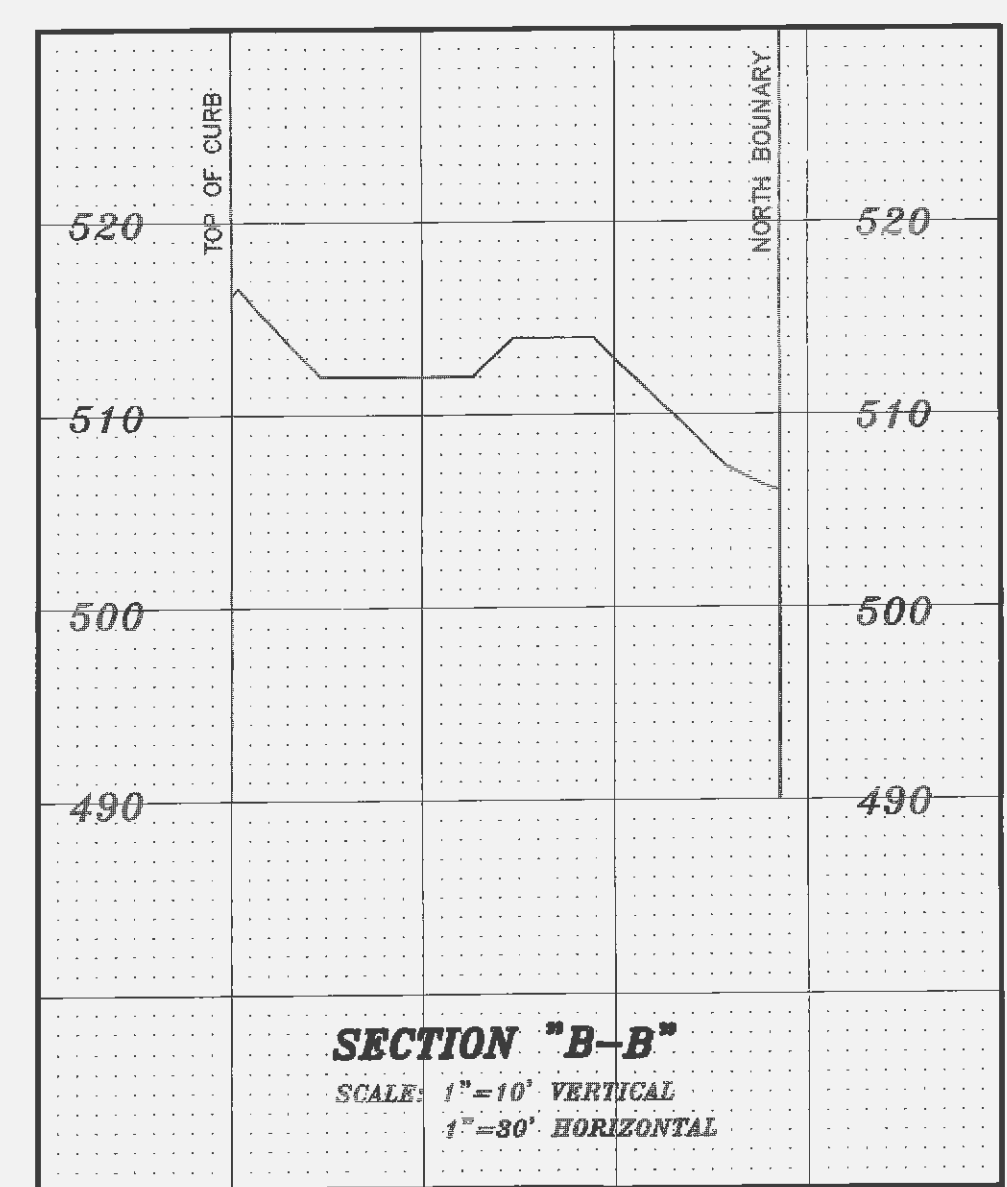
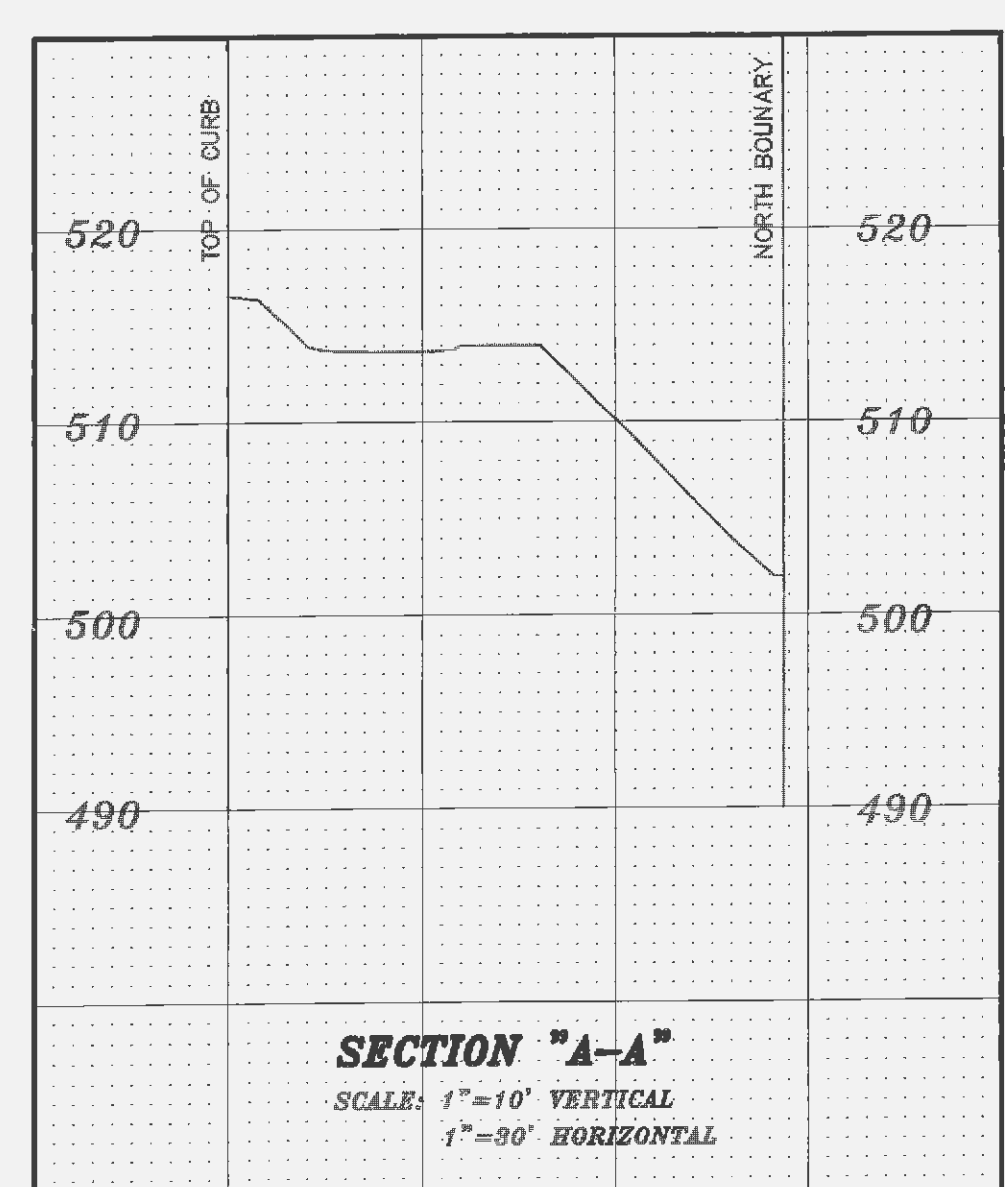
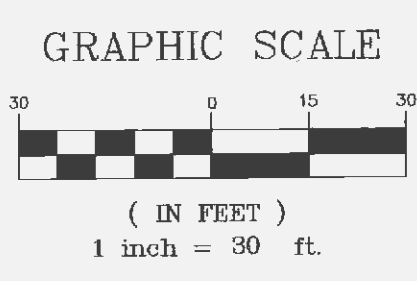
PAINTED HANDICAPPED PARKING SYMBOL  
 NOT TO SCALE



HANDICAP PARKING SIGN  
 NOT TO SCALE



HANDICAPPED RAMP DETAIL  
 NOT TO SCALE



UPP STR	LOW STR	L	DIA	UPPER FL LN	LOWER FL LN	PS	UPPER ST EL	DEPTH HY GR	UPPER HY EL	LOWER HY EL	HYDR GRADE	FR HEAD	VEL HEAD	JUNC LOSS	TURN LOSS	TO	PIPE CAP	REMARKS		
GI 102	GI 101	63	15	512.99	512.36	1.00	516.05	2.34	513.71	513.61	.00100	0.06	1.67	0.04	0.04	0.00	2.05	6.46	1	
GI 101	FB 100	16	15	512.16	511.99	1.05	516.10	2.60	513.50	513.25	.00400	0.06	3.32	0.17	0.16	0.03	4.07	6.63	2	HW-513.25

EX:DWG\6000PLUS\6411E\CONSTRUCTION\6411ECON.dwg, GRADING(4), 3/24/2004 8:17:11 AM, STATION 35 KW