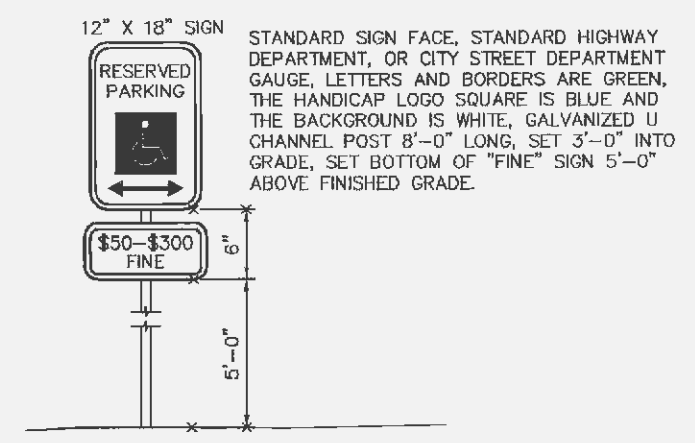
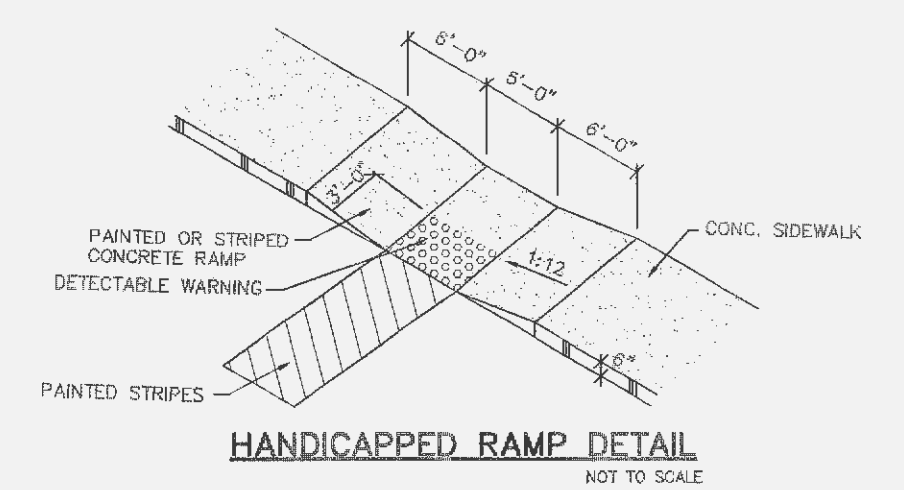


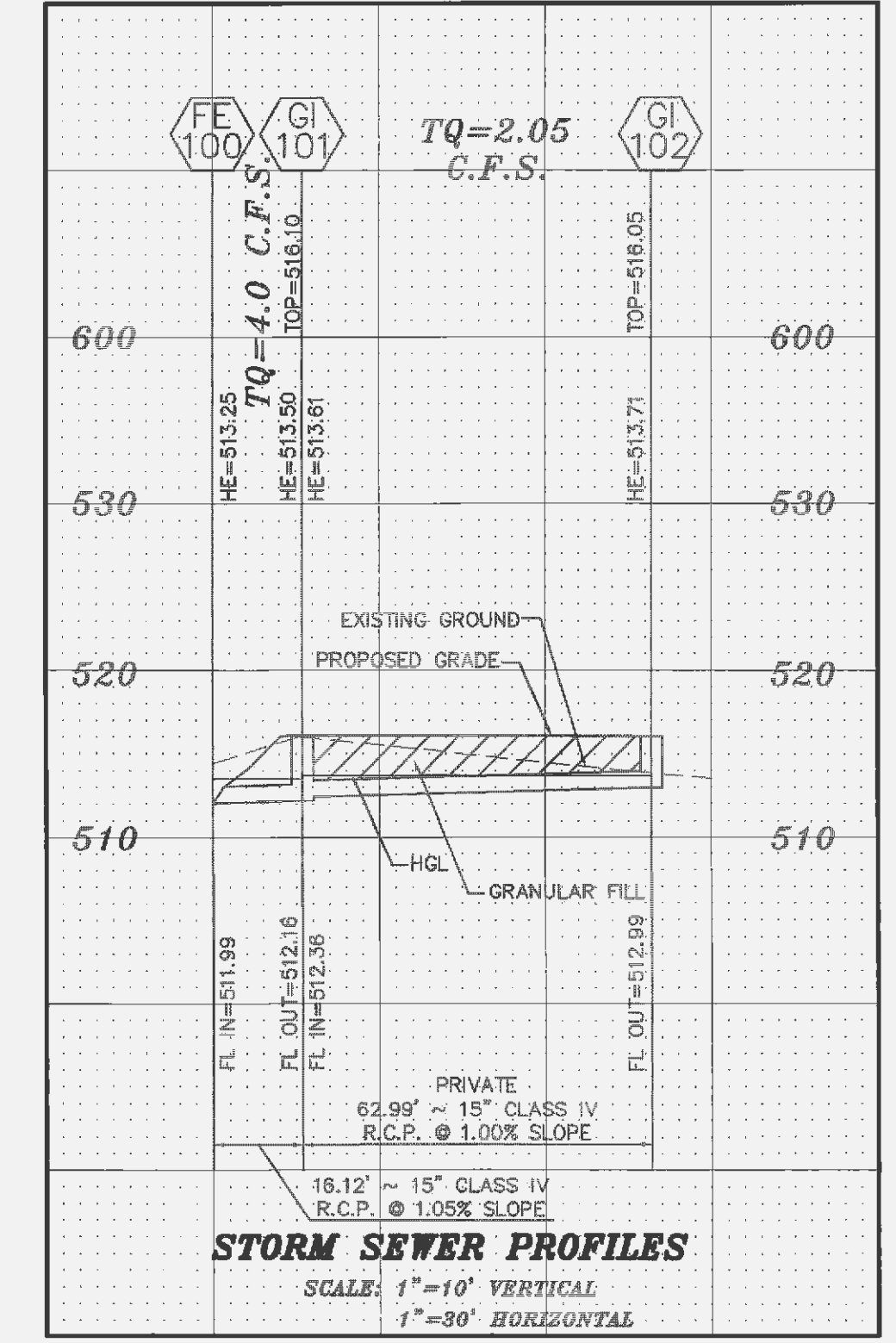
PAINTED HANDICAPPED PARKING SYMBOL  
NOT TO SCALE



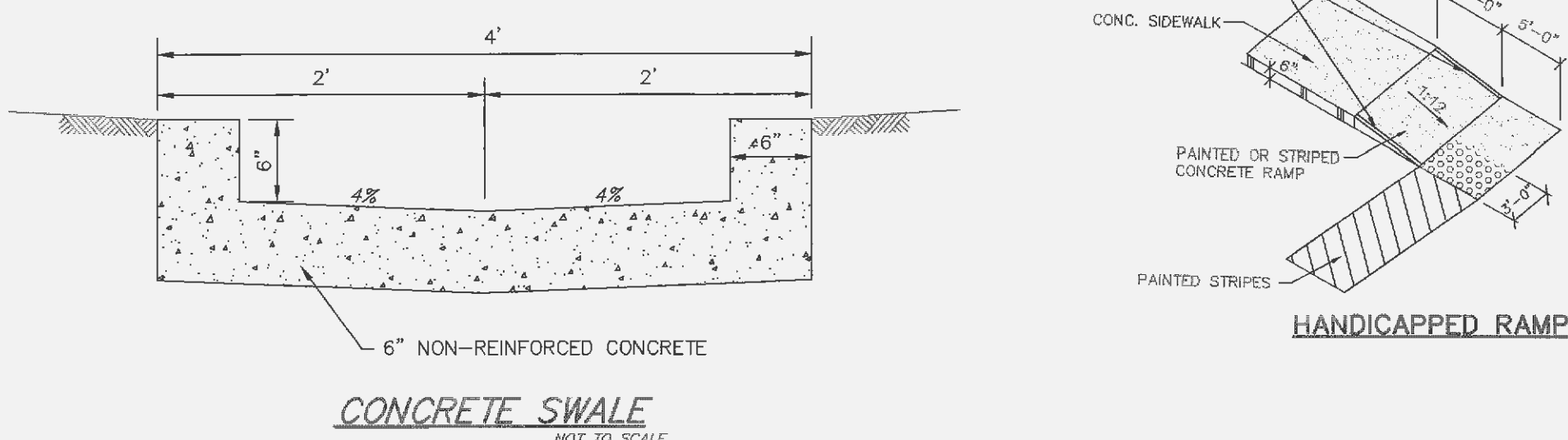
HANDICAP PARKING SIGN  
NOT TO SCALE



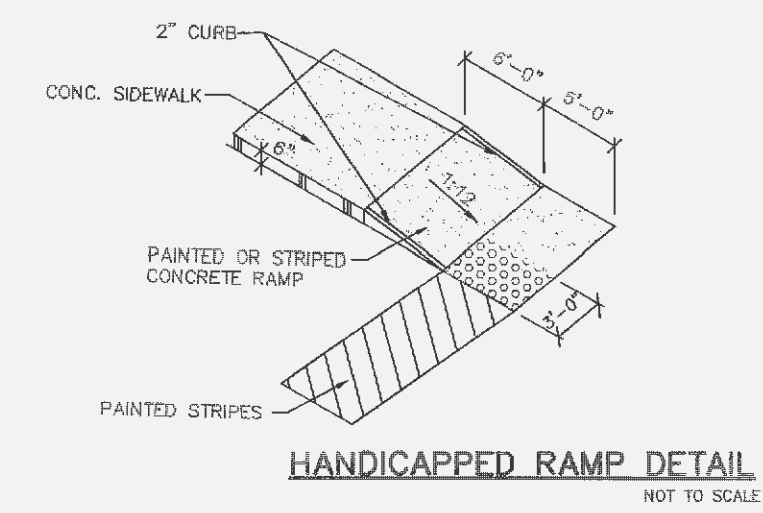
HANDICAPPED RAMP DETAIL  
NOT TO SCALE



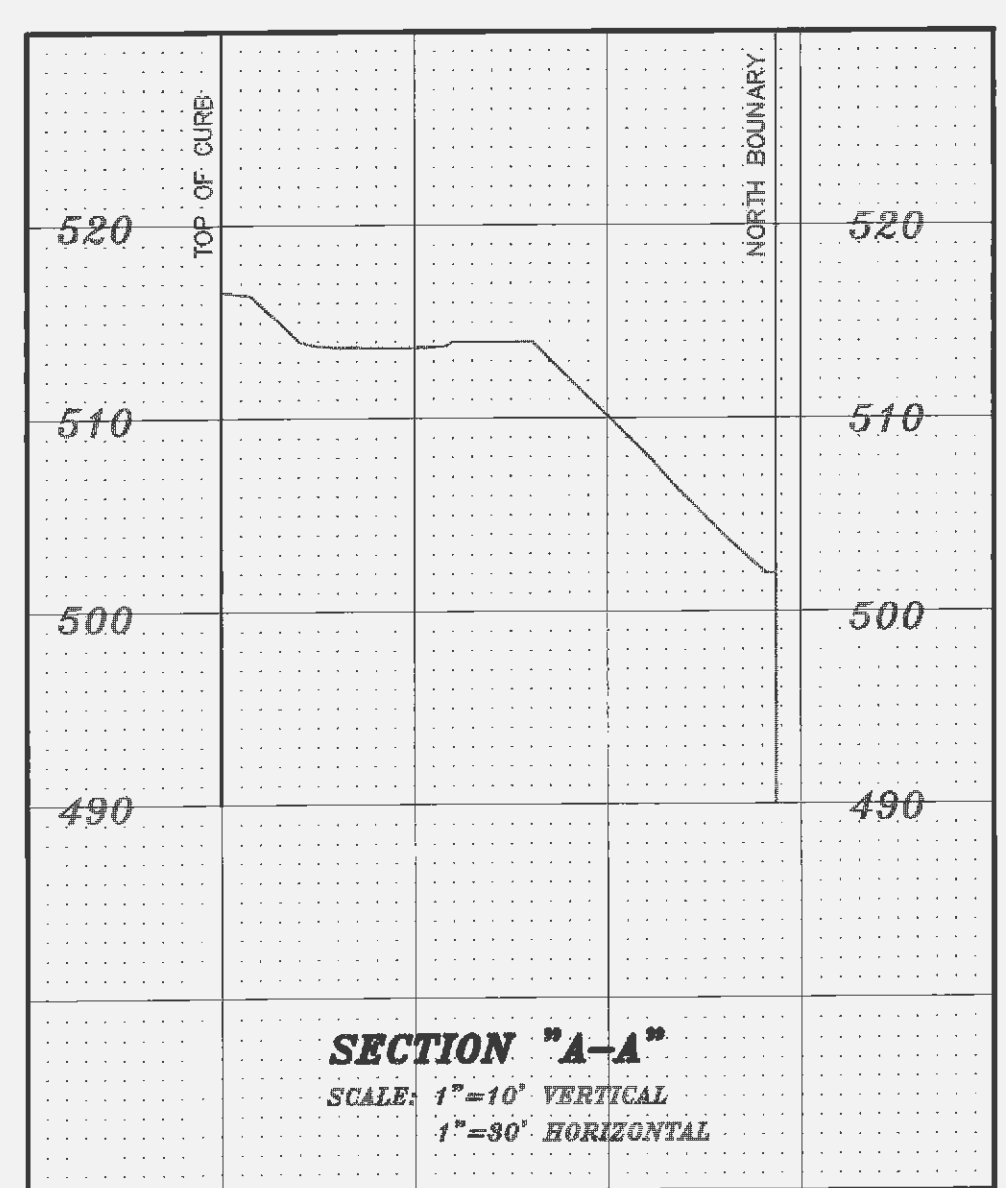
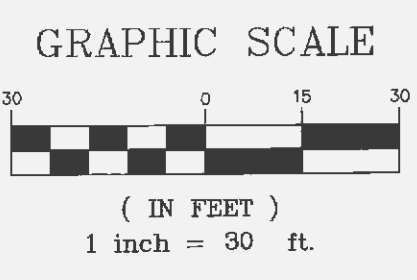
STORM SEWER PROFILES  
 SCALE: 1"=10' VERTICAL  
 1"=30' HORIZONTAL



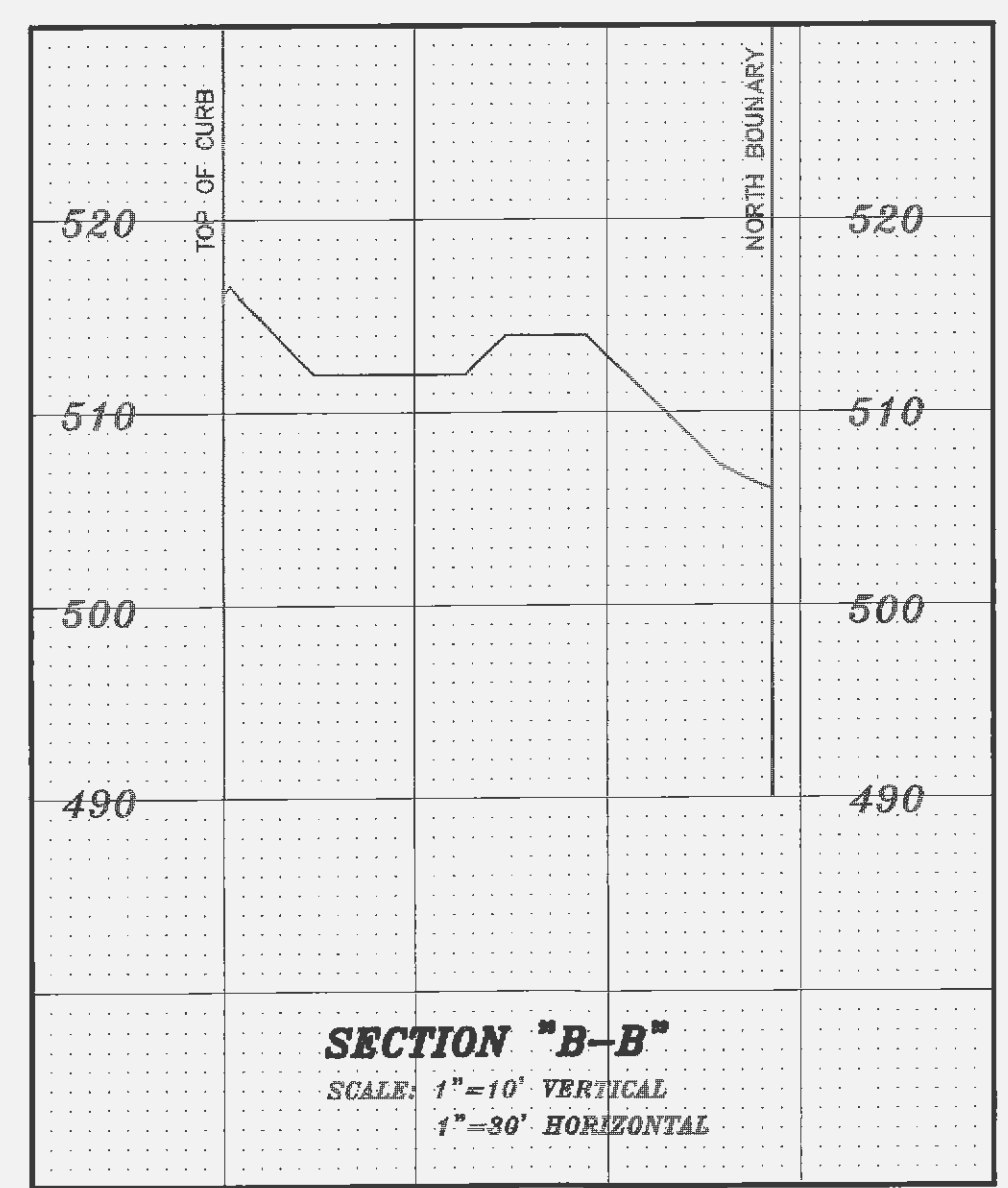
CONCRETE SWALE  
NOT TO SCALE



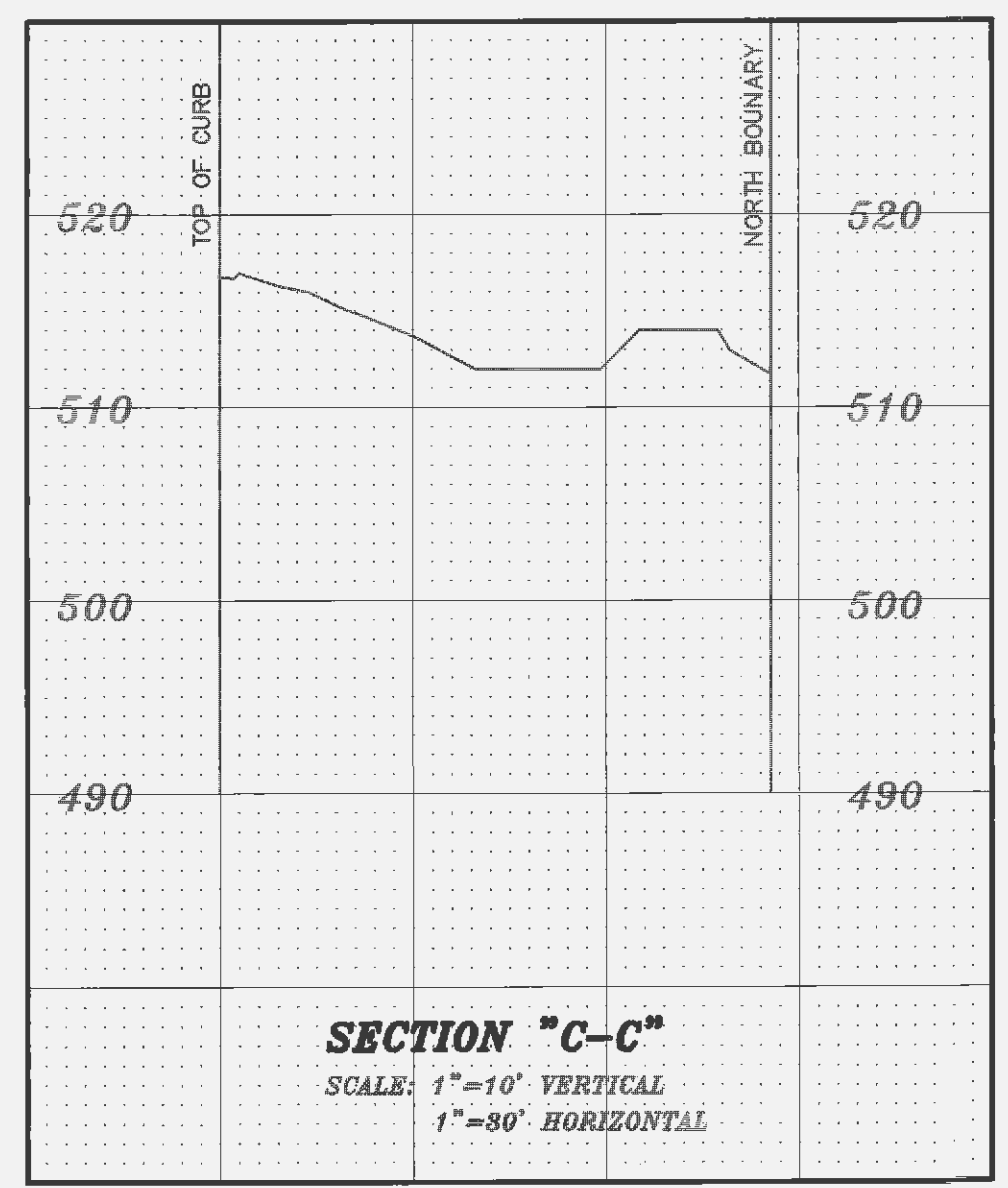
HANDICAPPED RAMP DETAIL  
NOT TO SCALE



SECTION "A-A"  
 SCALE: 1"=10' VERTICAL  
 1"=30' HORIZONTAL



SECTION "B-B"  
 SCALE: 1"=10' VERTICAL  
 1"=30' HORIZONTAL



SECTION "C-C"  
 SCALE: 1"=10' VERTICAL  
 1"=30' HORIZONTAL

UPP STR	LOW STR	L	DIA	UPPER EL LN	LOWER EL LN	PS	UPPER ST EL	DEPTH HY GR	UPPER HY EL	LOWER HY EL	HYDR GRADR	FR HEAD	VEL HEAD	VEL HEAD	JUNC LOSS	TURN LOSS	TQ	PIPE CAP	REMARKS
G1 102	G1 101	63	15	512.99	512.36	1.00	516.05	2.34	513.71	513.61	-00100	0.06	1.67	0.04	0.04	0.00	2.05	6.46	1
G1 101	FE 100	16	15	512.16	511.99	1.05	516.10	2.60	513.50	513.25	-00400	0.06	3.32	0.17	0.16	0.03	4.07	6.63	2 HW=513.25

UNDERGROUND UTILITIES HAVE BEEN PLOTTED FROM AVAILABLE INFORMATION AND THEREFORE THEIR LOCATIONS SHALL BE CONSIDERED APPROXIMATE ONLY. THE VERIFICATION OF THE LOCATION OF ALL UNDERGROUND UTILITIES, EITHER SHOWN OR NOT SHOWN ON THESE PLANS SHALL BE THE RESPONSIBILITY OF THE CONTRACTOR, AND SHALL BE LOCATED PRIOR TO ANY GRADING OR CONSTRUCTION OF THE IMPROVEMENTS.