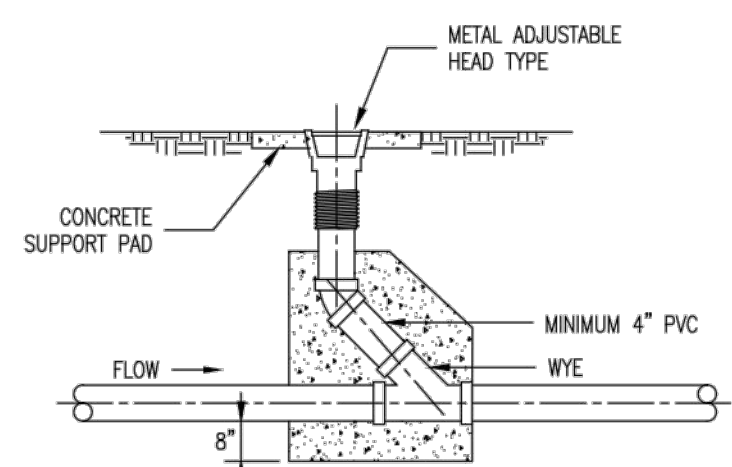
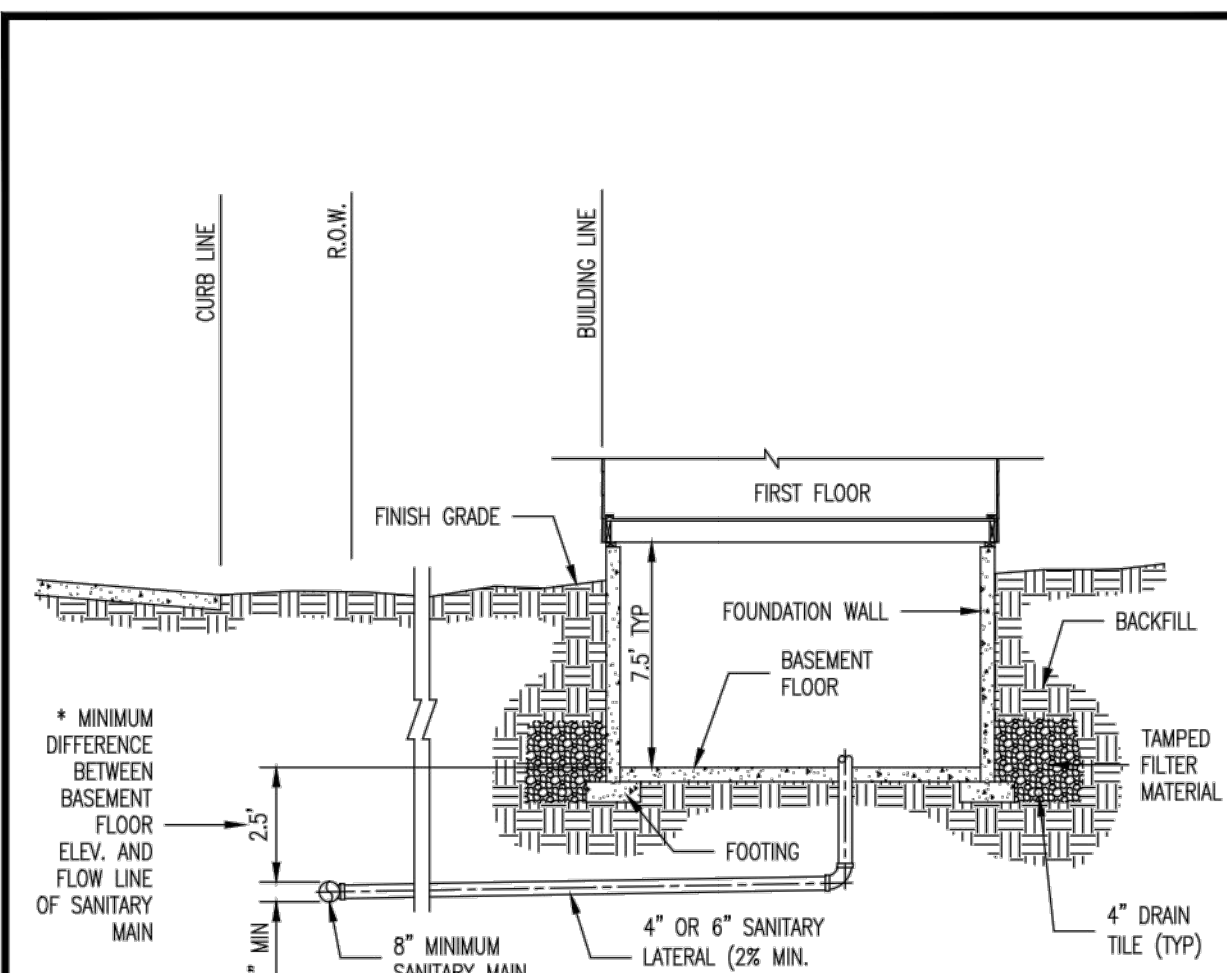


METAL FRAME AND COVER TYPE CLEANOUT



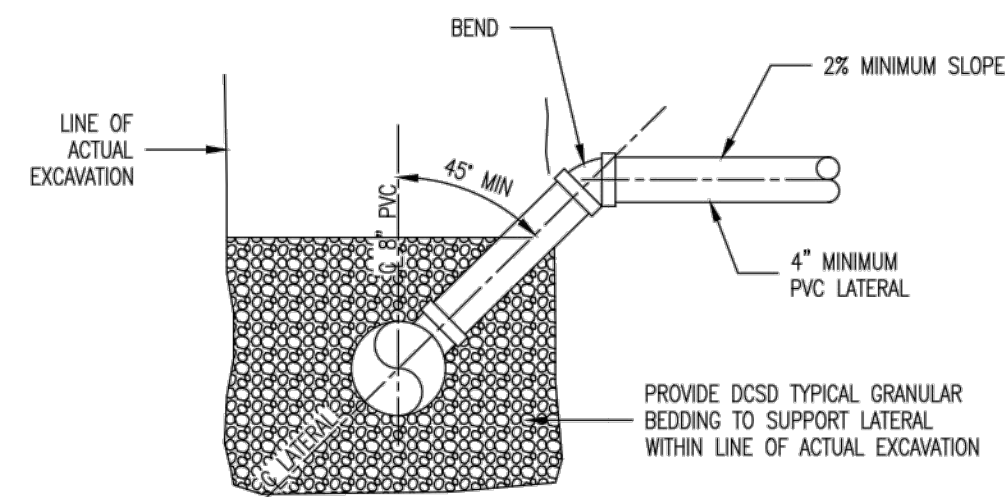
ADJUSTABLE HEAD TYPE CLEANOUT

Duckett Creek Sanitary District
 TYPICAL SEWER LATERAL CLEANOUT DETAIL
 Own By: BSM App By: KLA Detail No. 25
 Ckd By: MDOB Date: DEC. 2015

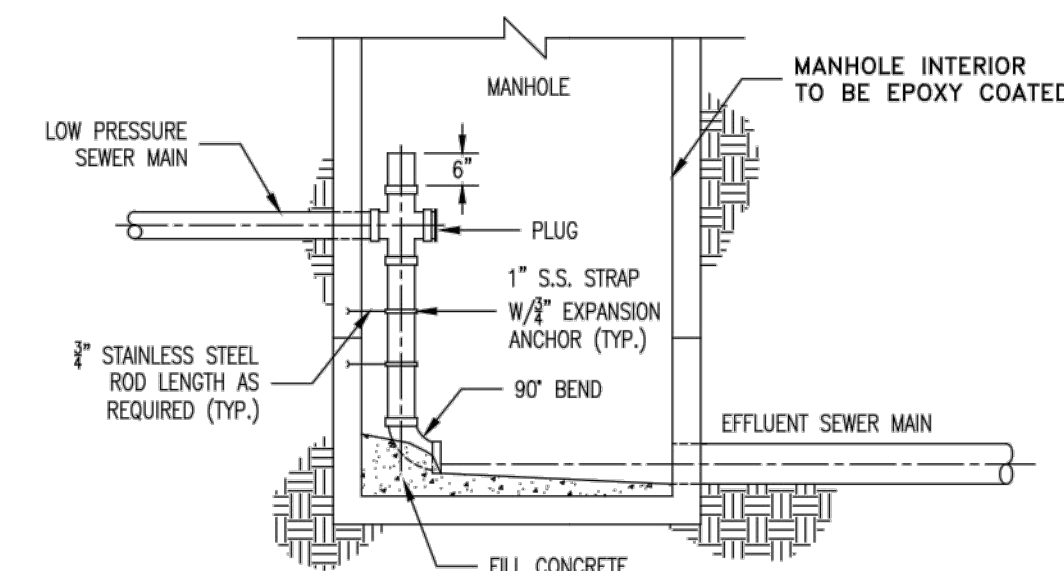


*NOTE: DIFFERENCE IN DEPTH INCREASES WITH PIPE SIZE

Duckett Creek Sanitary District
 TYPICAL SANITARY SEWER LATERAL PROFILE
 Own By: BSM App By: KLA Detail No. 26
 Ckd By: MDOB Date: DEC. 2015

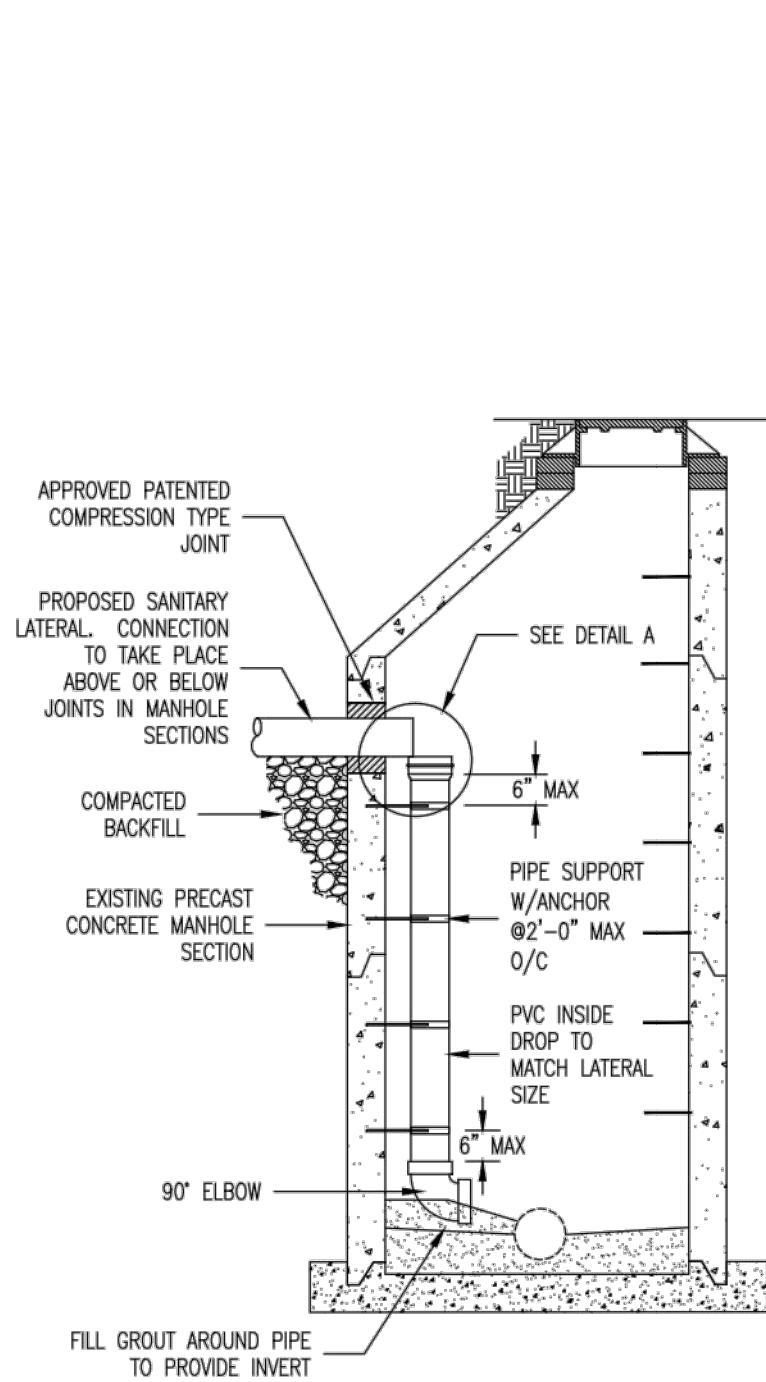


Duckett Creek Sanitary District
 SANITARY SEWER LATERAL RISER DETAIL
 Own By: BSM App By: KA Detail No. 27
 Ckd By: MDOB Date: DEC. 2015

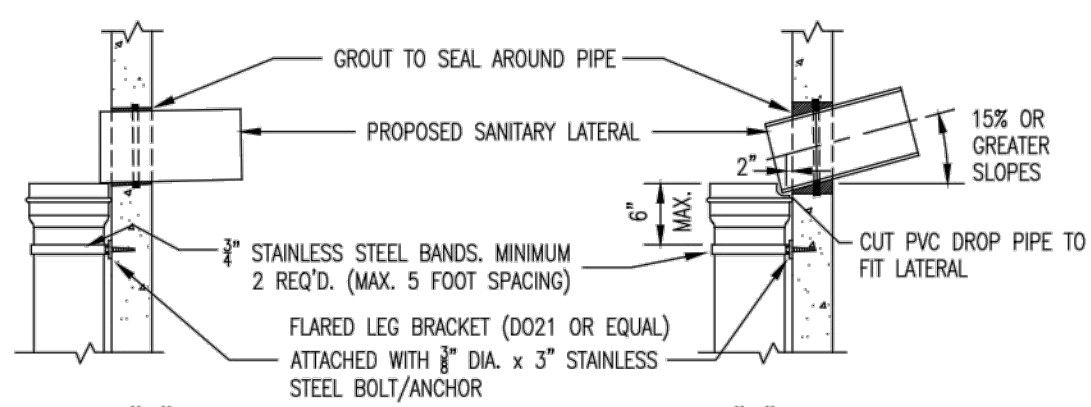


NOTE: INVERT-BOTTOM SHALL BE WORKED TO PROVIDE POSITIVE DRAINAGE THROUGH MANHOLE

Duckett Creek Sanitary District
 LOW PRESSURE SEWER MAIN CONNECTION AT MANHOLE
 Own By: BSM App By: KA Detail No. 28
 Ckd By: MDOB Date: DEC. 2015

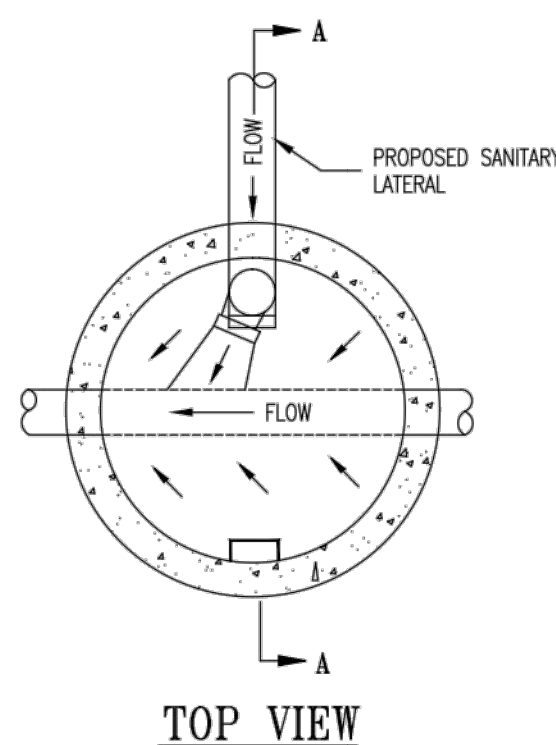


SECTION A-A



DETAIL "A" STANDARD DROP PIPE

DETAIL "A" MODIFIED MODIFIED DROP PIPE (FOR STEEP INFLUENT GRADES)

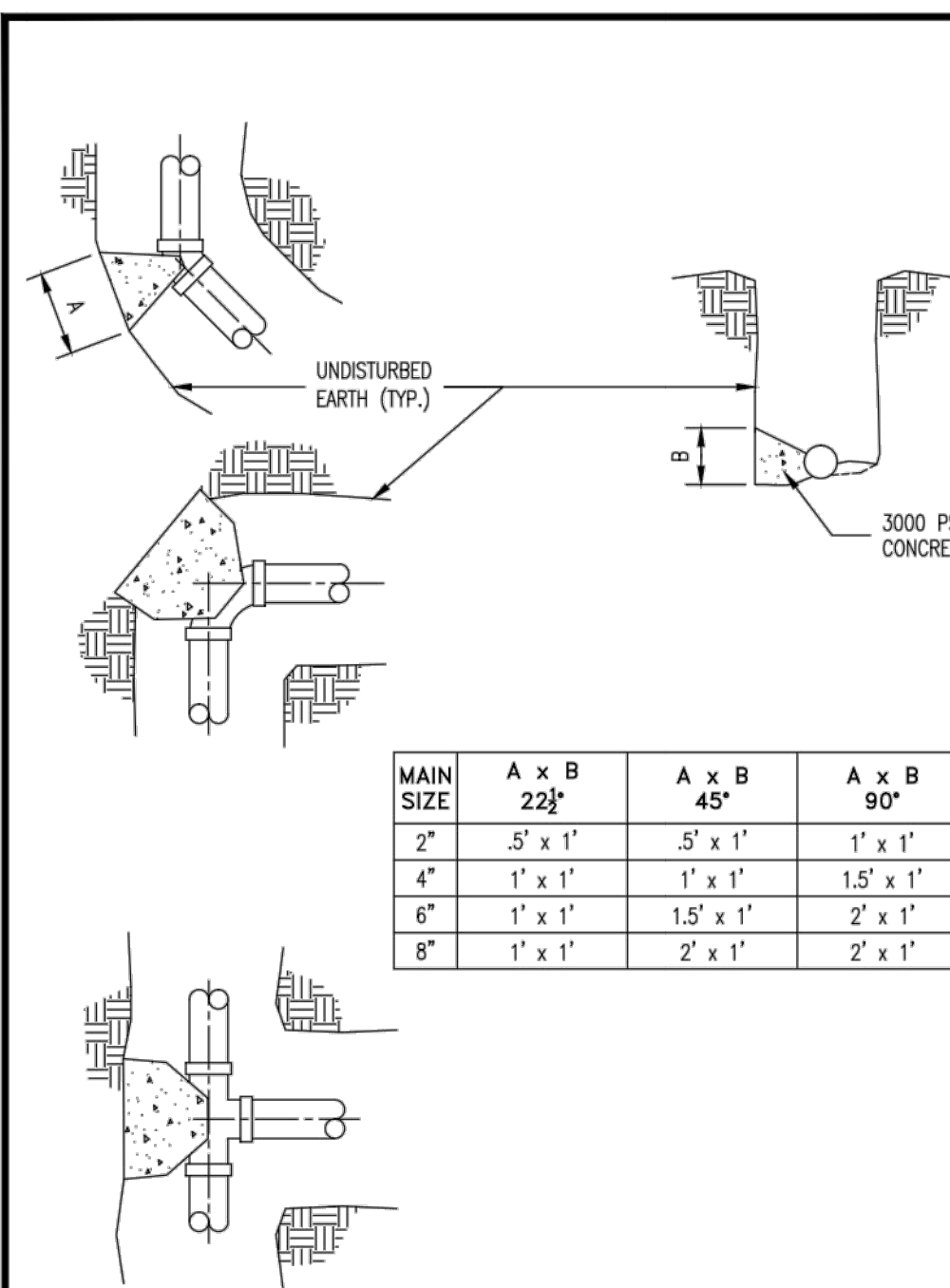


TOP VIEW

NOTES:

1. IF EXCAVATED SPACE OUTSIDE OF MANHOLE WALL EXCEEDS 1 FOOT, PROVIDE 6 INCHES OF CLASS "A" CONCRETE ENCASEMENT ON INCOMING LINE FROM WALL OF MANHOLE TO A MINIMUM OF 2 FEET INTO UNDISTURBED EARTH WITH A MINIMUM OF 4-#4 REBARS FOR LENGTH OF ENCASEMENT OR INSTALL ON LENGTH OF D.I.P. FROM MANHOLE INTO UNDISTURBED EARTH.
2. STAINLESS STEEL STRAPS SHALL BE 3/8" X 2" STAINLESS STEEL.
3. STAINLESS STEEL STRAP CONNECTORS SHALL BE FLARED LEG BRACKET (D021 OR EQUAL) ATTACHED WITH 3/8" X 3" STAINLESS STEEL BOLT/ANCHOR OR APPROVED EQUAL.
4. ALL SEWER CONNECTIONS SHALL CONFORM TO THE STANDARD SPECIFICATIONS FOR DUCKETT CREEK SANITARY DISTRICT.
5. LONG INSIDE DROPS WILL REQUIRE STAINLESS STEEL BANDS TO BE 2'-0" MAX BETWEEN BANDS.

Duckett Creek Sanitary District
 INSIDE DROP GRAVITY LATERAL CONNECTION DETAIL
 Own By: MSM App By: KA Detail No. 28A
 Ckd By: MDOB Date: JUNE 2015



MAIN SIZE	A x B 22 1/2"	A x B 45"	A x B 90"	A x B TEE
2"	.5' x 1'	.5' x 1'	1' x 1'	1' x 1'
4"	1' x 1'	1' x 1'	1.5' x 1'	1' x 1'
6"	1' x 1'	1.5' x 1'	2' x 1'	1.5' x 1'
8"	1' x 1'	2' x 1'	2' x 1'	2' x 1'

Duckett Creek Sanitary District
 THRUST BLOCK DETAIL AND SIZE SCHEDULE
 Own By: BSM App By: KA Detail No. 29
 Ckd By: MDOB Date: DEC. 2015

PROJECT TITLE
**IMPROVEMENT PLANS
 THE VILLAGES AT
 MONTRACHET (REVISED)**

PICKETT, RAY & SILVER INC
 CIVIL ENGINEERING, LAND SURVEYING,
 AND NATURAL RESOURCES SERVICES
 St. Peters, MO 63376
 22 Richmond Center Court
 St. Peters, MO 63376
 Phone (636) 397-1211 Fax (636) 397-1104
 www.prs.com 1-800-708-3818

ENGINEER'S AUTHENTICATION
 THE RESPONSIBILITY FOR PROFESSIONAL ENGINEERING LIABILITY ON THIS PROJECT IS LIMITED TO THE SET OF PLANS AUTHENTICATED BY THE SEAL, SIGNATURE, AND DATE HEREON ATTACHED. RESPONSIBILITY IS DISCLAIMED FOR ALL OTHER ENGINEERING PLANS INVOLVED IN THIS PROJECT AND SPECIFICALLY EXCLUDES REVISIONS AFTER THIS DATE UNLESS REAUTHENTICATED.
PICKETT, RAY & SILVER, INC. MO LICENSE #000336

 KARL A. SCHOENKE, P.E.
 PROFESSIONAL ENGINEER LICENSE 2003015039
 ELECTRONIC SEAL

Developer / Owner Information
MONTRACHET DEVELOPMENT LLC
 218 Chesterfield Towne Centre
 Chesterfield, Missouri 63005
 Phone: 636-530-6900

P+Z No. 15-15.01
 City No. 15-742-SP
 Page No.

CITY OF FALLON REVISED PHASE A 09/28/2016

\\PFS-SBS2011\Projects\44055\MCH000\Design\OUTPUT\Improvement Plans REVISED PHASE A\12-14055-DETAILS.dwg