

SECTION OF MANHOLE	DIMENSION
TOP TRANSITION	28 1/2" DIA.
UPPER LOWER	42" DIA.
BOTTOM SECTION PIPE	42" DIA.
10" THRU 36" DIA. PIPE	48" DIA.
BOTTOM SECTION 42" DIA. PIPE	60" DIA.

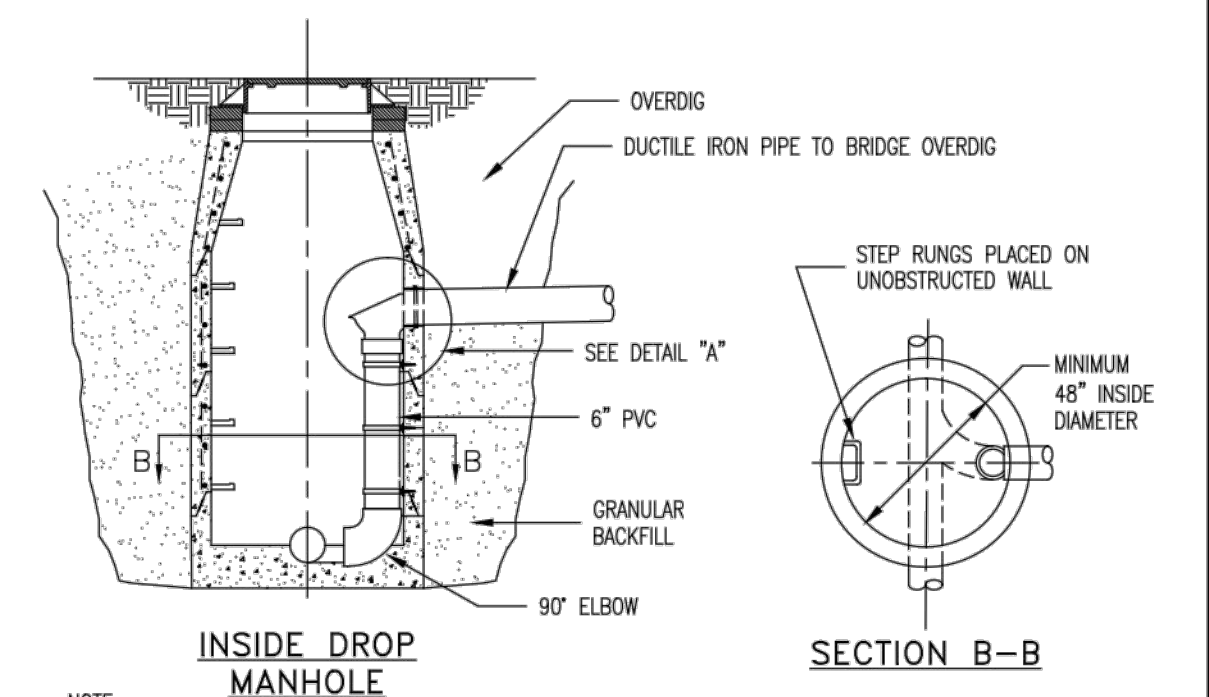
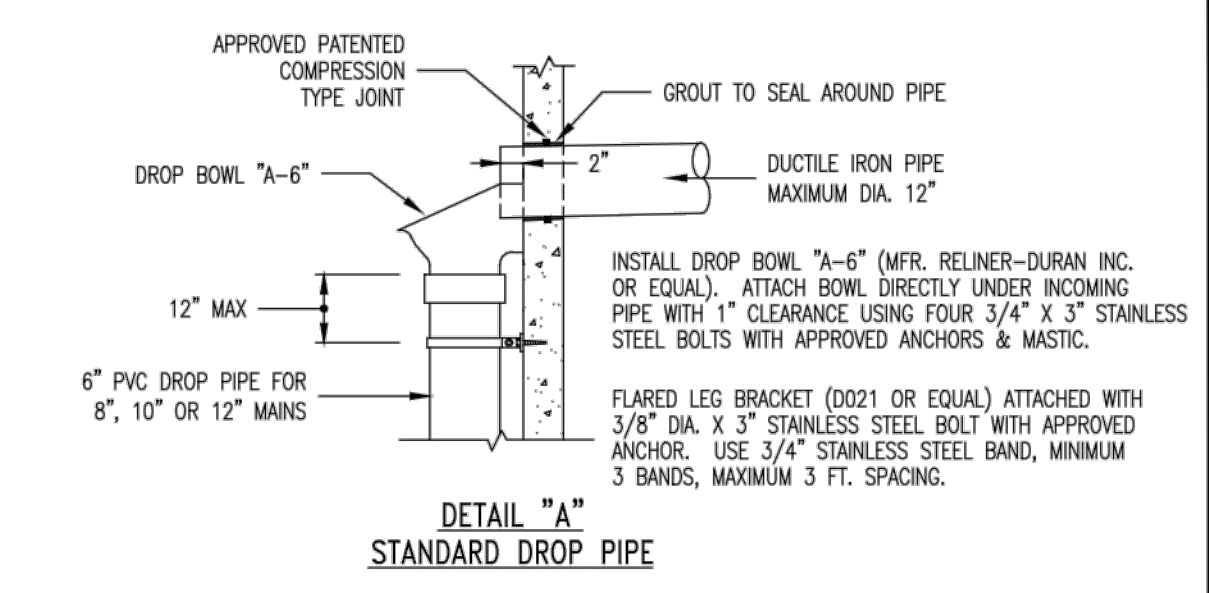
SEE A.S.T.M. C-478 FOR MINIMUM STEEL REQUIREMENTS.

NOTES:
 1. ALL INVERTS SHALL HAVE POSITIVE DRAINAGE THROUGH MANHOLE.
 2. BRICK SHALL NOT BE USED ON MANHOLES.

Duckett Creek Sanitary District

INSIDE FOULWATER DROP MANHOLE (SWEEP INLET)

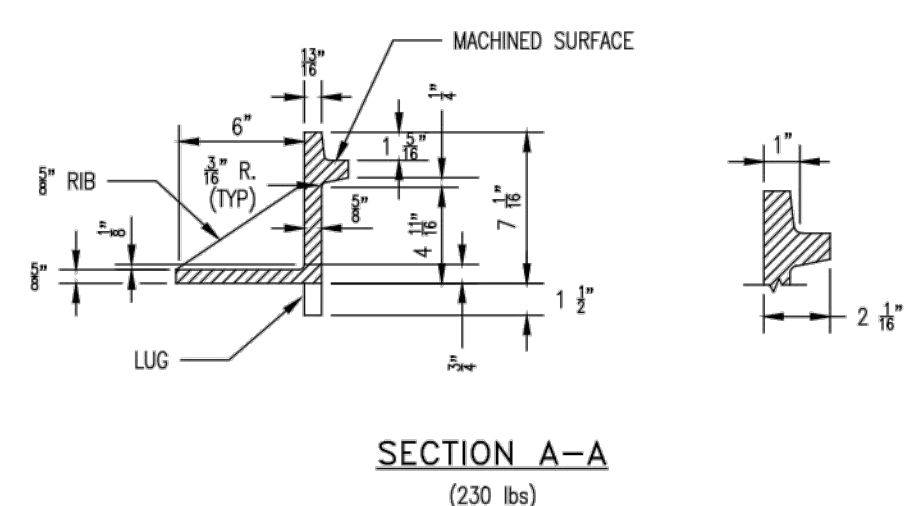
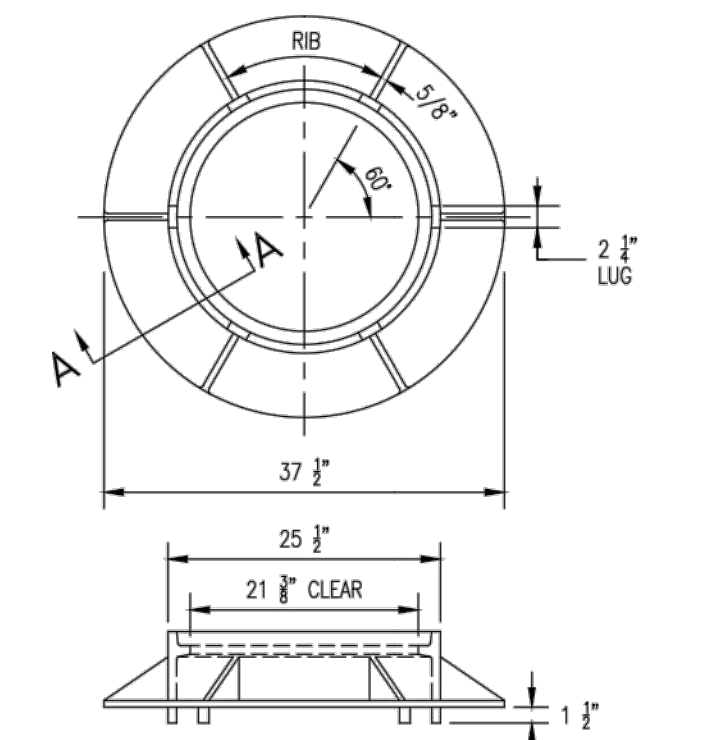
Drawn By: BSM App By: KA Detail No. 9
 Check By: MDOB Date: DEC. 2015



Duckett Creek Sanitary District

INSIDE DROP MANHOLE

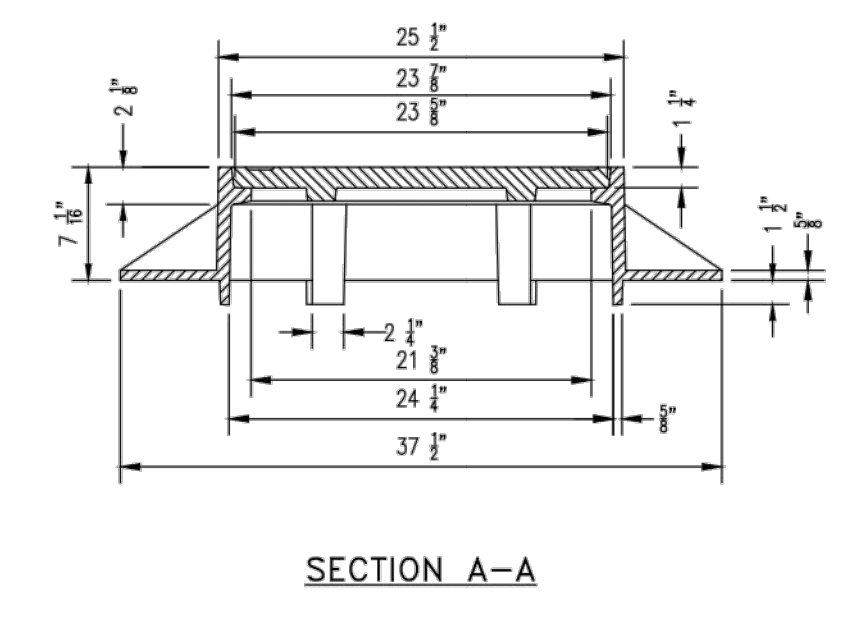
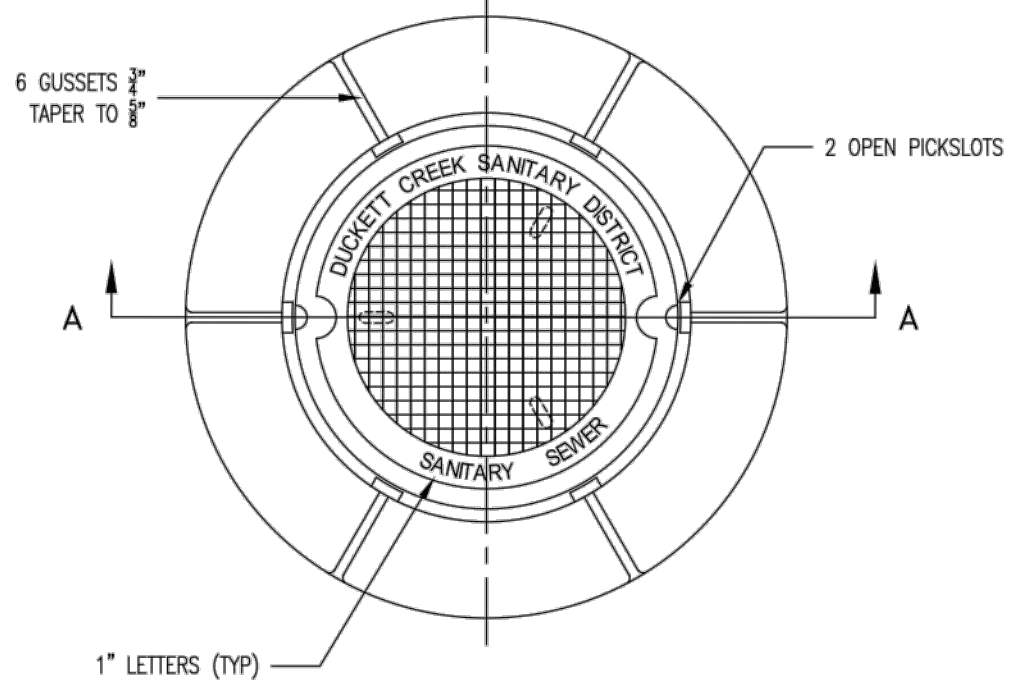
Drawn By: MSW App By: KA Detail No. 10
 Check By: MDOB Date: DEC. 2015



Duckett Creek Sanitary District

CAST IRON MANHOLE FRAME

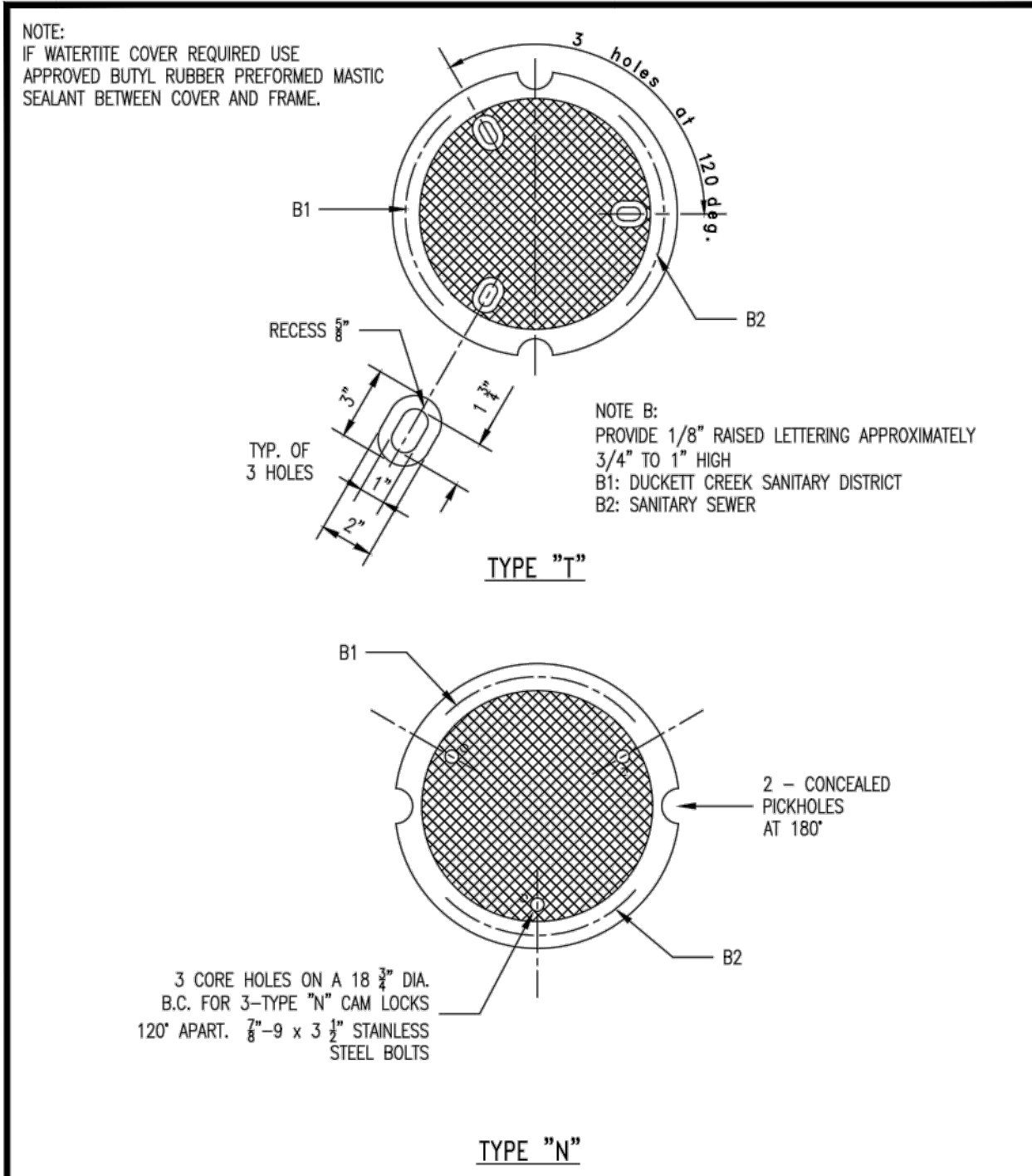
Drawn By: BSM App By: KLA Detail No. 11
 Check By: MDOB Date: DEC. 2015



Duckett Creek Sanitary District

MANHOLE FRAME AND COVER

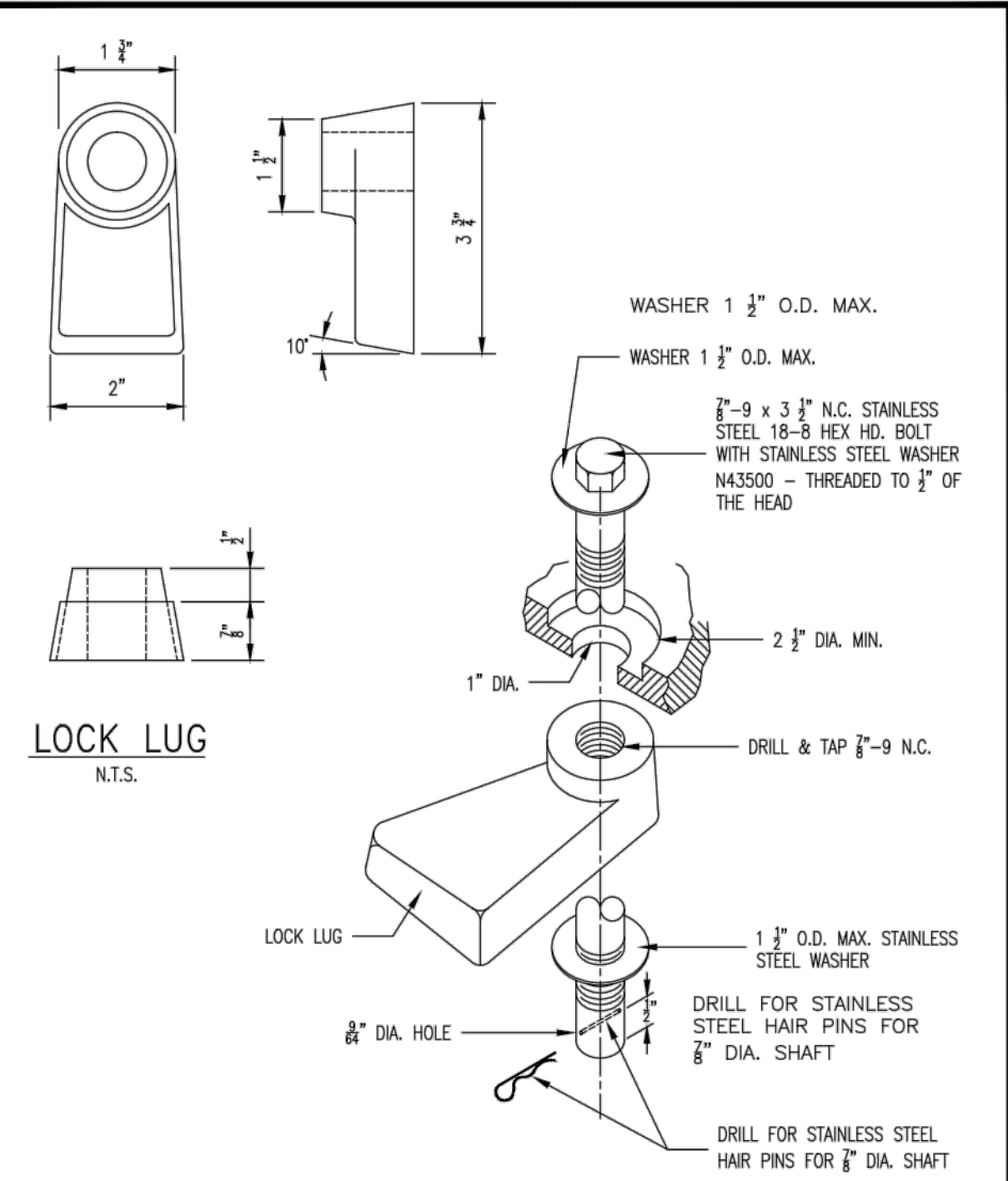
Drawn By: BSM App By: KLA Detail No. 12
 Check By: MDOB Date: DEC. 2015



Duckett Creek Sanitary District

CAST IRON MANHOLE COVERS (LOCK TYPE)

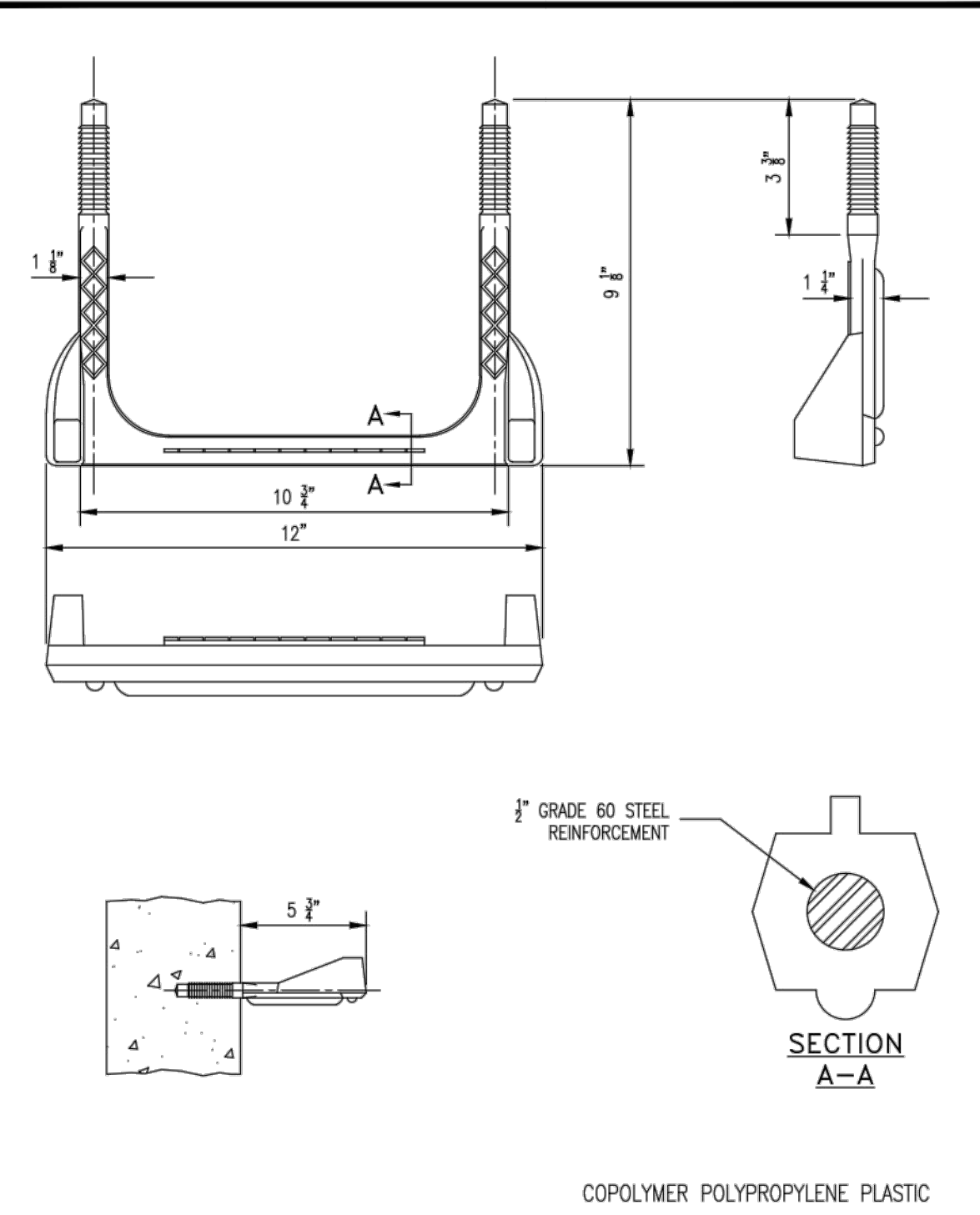
Drawn By: BSM App By: KLA Detail No. 14
 Check By: MDOB Date: DEC. 2015



Duckett Creek Sanitary District

LOCKING DEVICE FOR TYPE "N" LOCK TYPEMAN HOLE COVER

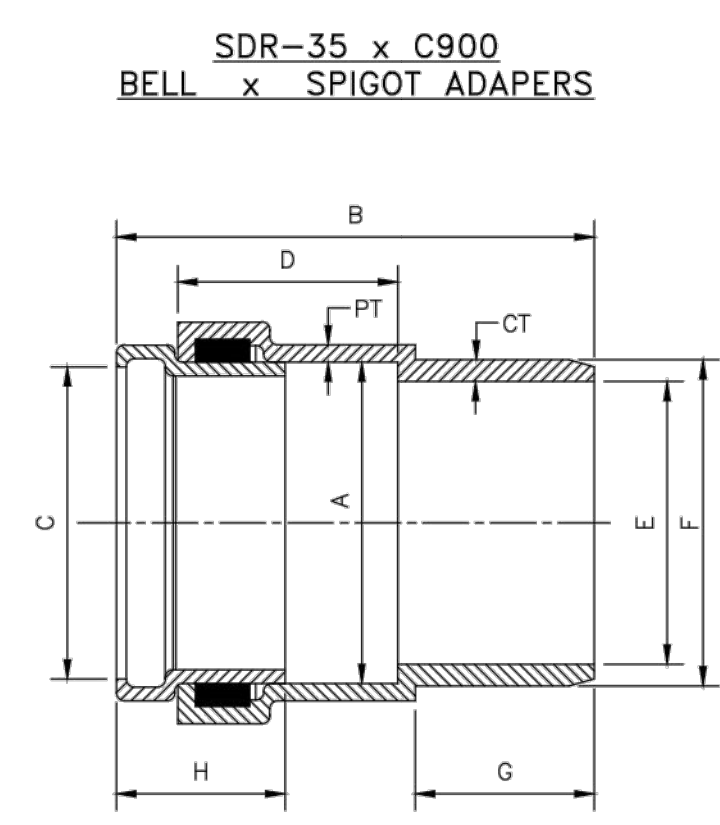
Drawn By: BSM App By: KLA Detail No. 16
 Check By: MDOB Date: DEC. 2015



Duckett Creek Sanitary District

MANHOLE STEP FOR PRECAST MANHOLE

Drawn By: BSM App By: KA Detail No. 18
 Check By: MDOB Date: DEC. 2015



SIZE	CATALOG NO.	A	B	C	D	E	F	G	H	CT	PT
4"	334-040	4.56	8.23	4.25	4.10	3.94	4.80	2.72	2.7	.32	.25
6"	334-060	6.68	9.93	6.31	4.57	5.88	6.90	3.72	3.5	.45	.36

Duckett Creek Sanitary District

SDR-35 x C900 BELL AND SPIGOT ADAPTERS

Drawn By: BSM App By: KA Detail No. 19A
 Check By: MDOB Date: DEC. 2015

PROJECT TITLE
 IMPROVEMENT PLANS
 THE VILLAGES AT
 MONTRACHET (REVISED)

DETAILS

PFS No. 14055MCH000R
 TASK 017 FIELD BOOK 1476

PICKETT, RAY & SILVER INC
 CIVIL ENGINEERING, LAND SURVEYING,
 AND NATURAL RESOURCES SERVICES

St. Peters
 22 Richmond Center Court
 St. Peters, MO 63376

Phone (636) 397-1211 Fax (636) 397-1104
 www.prs.com 1-800-708-3918

ENGINEERS AUTHENTICATION
 THE RESPONSIBILITY FOR PROFESSIONAL ENGINEERING LIABILITY ON THIS PROJECT IS LIMITED TO THE SET OF PLANS AUTHENTICATED BY THE SEAL, SIGNATURE, AND DATE HEREON ATTACHED. RESPONSIBILITY IS DISCLAIMED FOR ALL OTHER ENGINEERING PLANS PROVIDED IN THIS PROJECT AND SPECIFICALLY EXCLUDES REVISIONS AFTER THIS DATE UNLESS REAUTHENTICATED.

PICKETT, RAY & SILVER, INC. MO
 LICENSE #000036

KARL ANTHONY SCHOENKE
 STATE OF MISSOURI
 PROFESSIONAL ENGINEER
 NUMBER PE-2003015039

09/28/16

ELECTRONIC SEAL
 KARL A. SCHOENKE, P.E.
 PROFESSIONAL ENGINEER LICENSE 2003015039

Developer / Owner Information

MONTRACHET DEVELOPMENT LLC
 218 Chesterfield Towne Centre
 Chesterfield, Missouri 63005
 Phone: 636-530-6900

P+Z No. 15-15.01

City No. 15-742-SP

Page No.