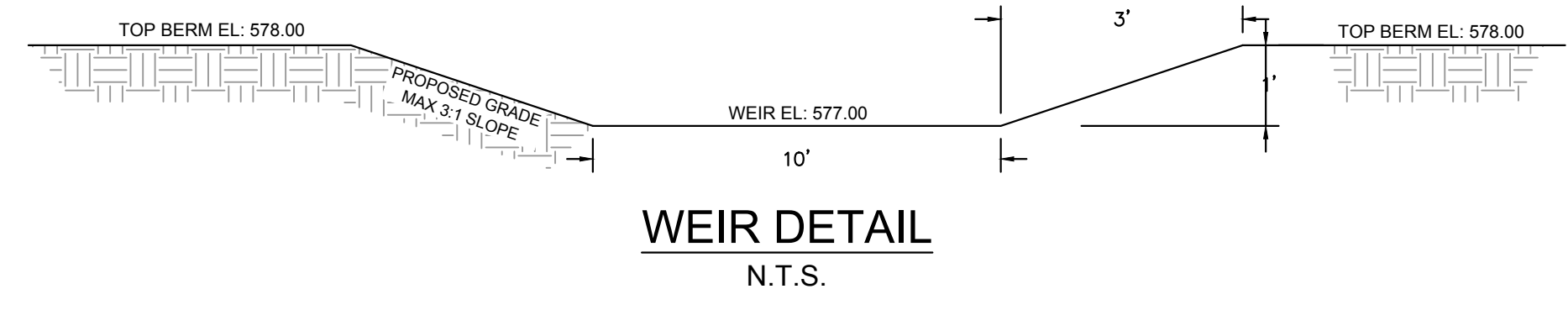
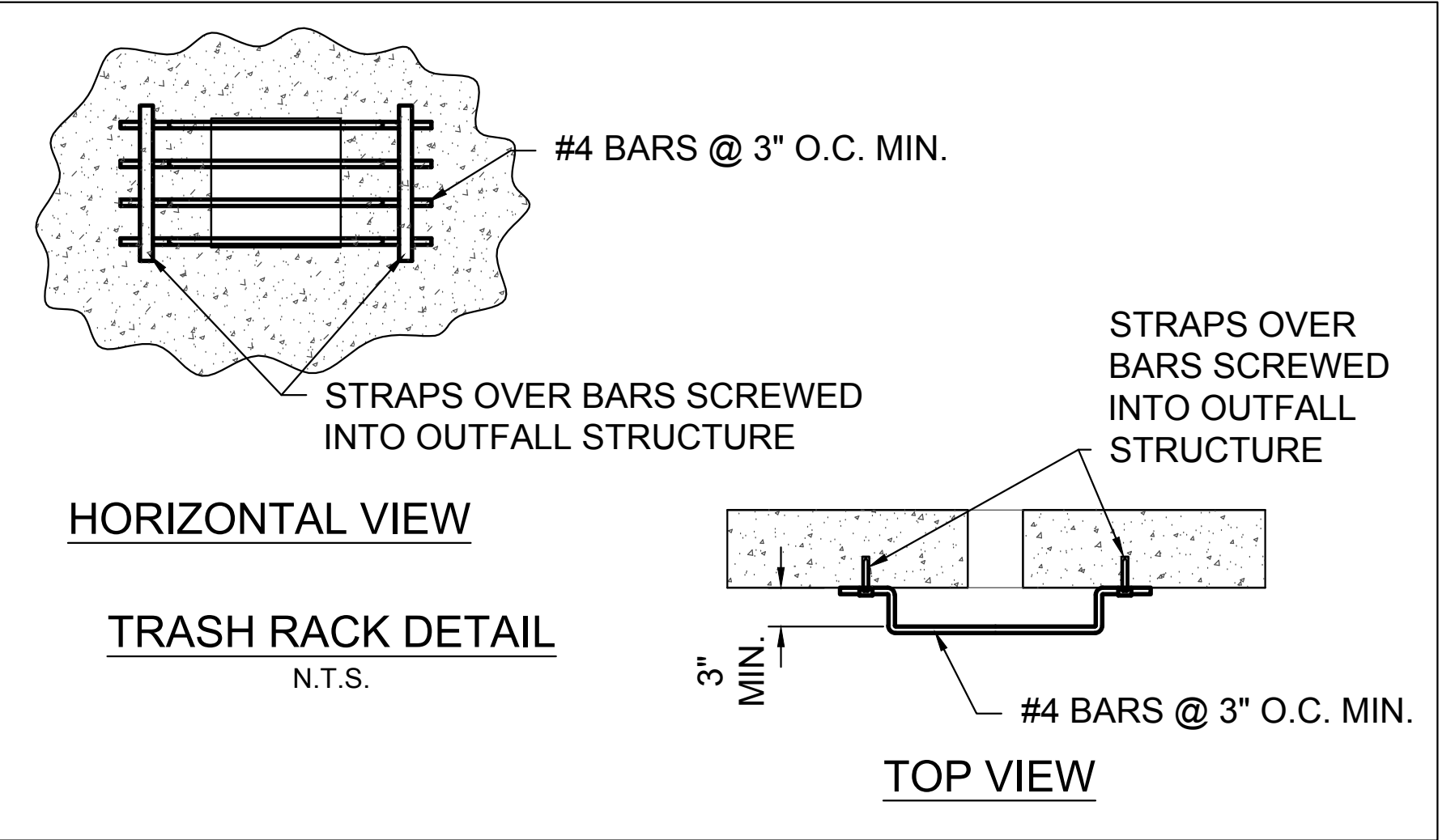
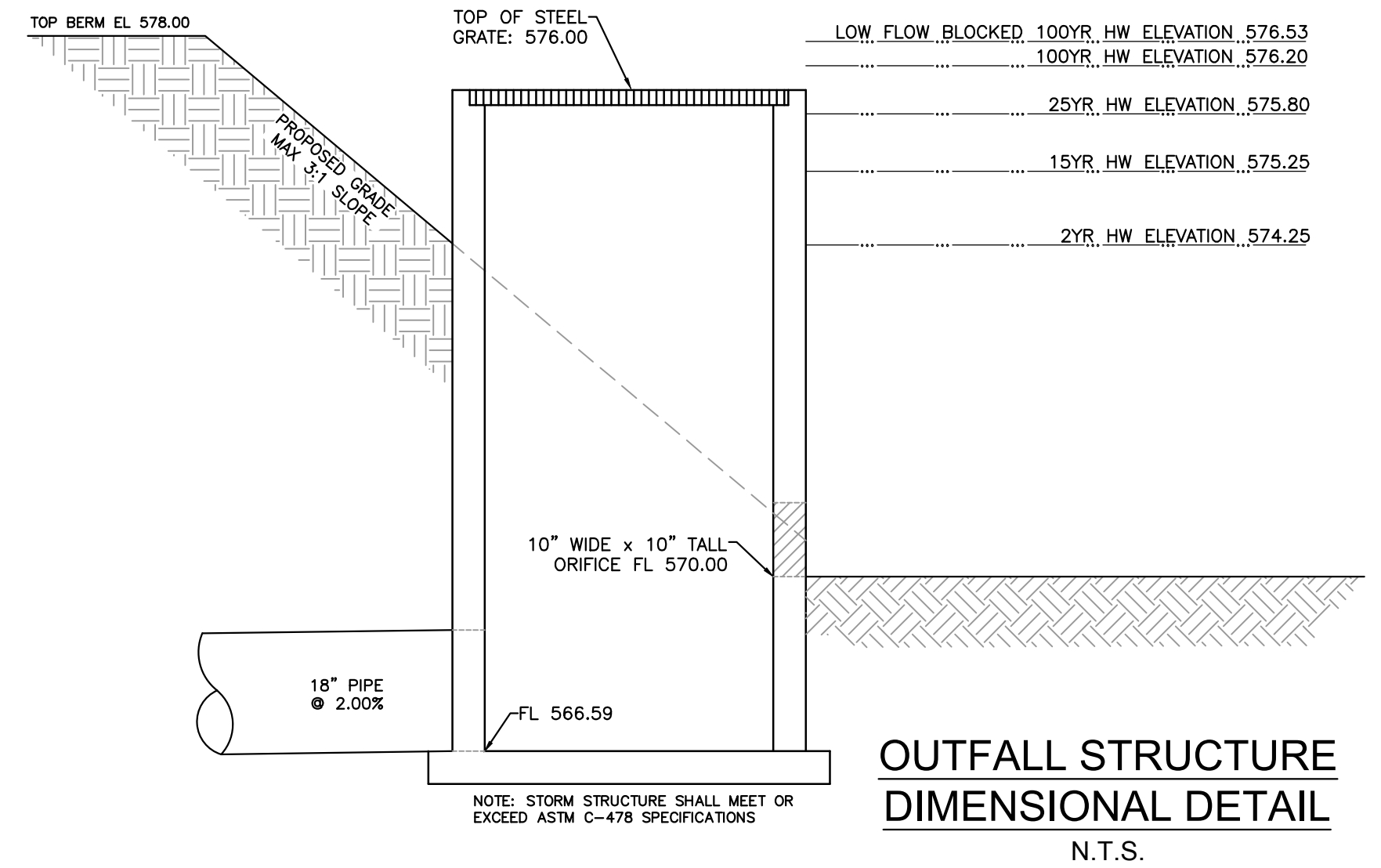
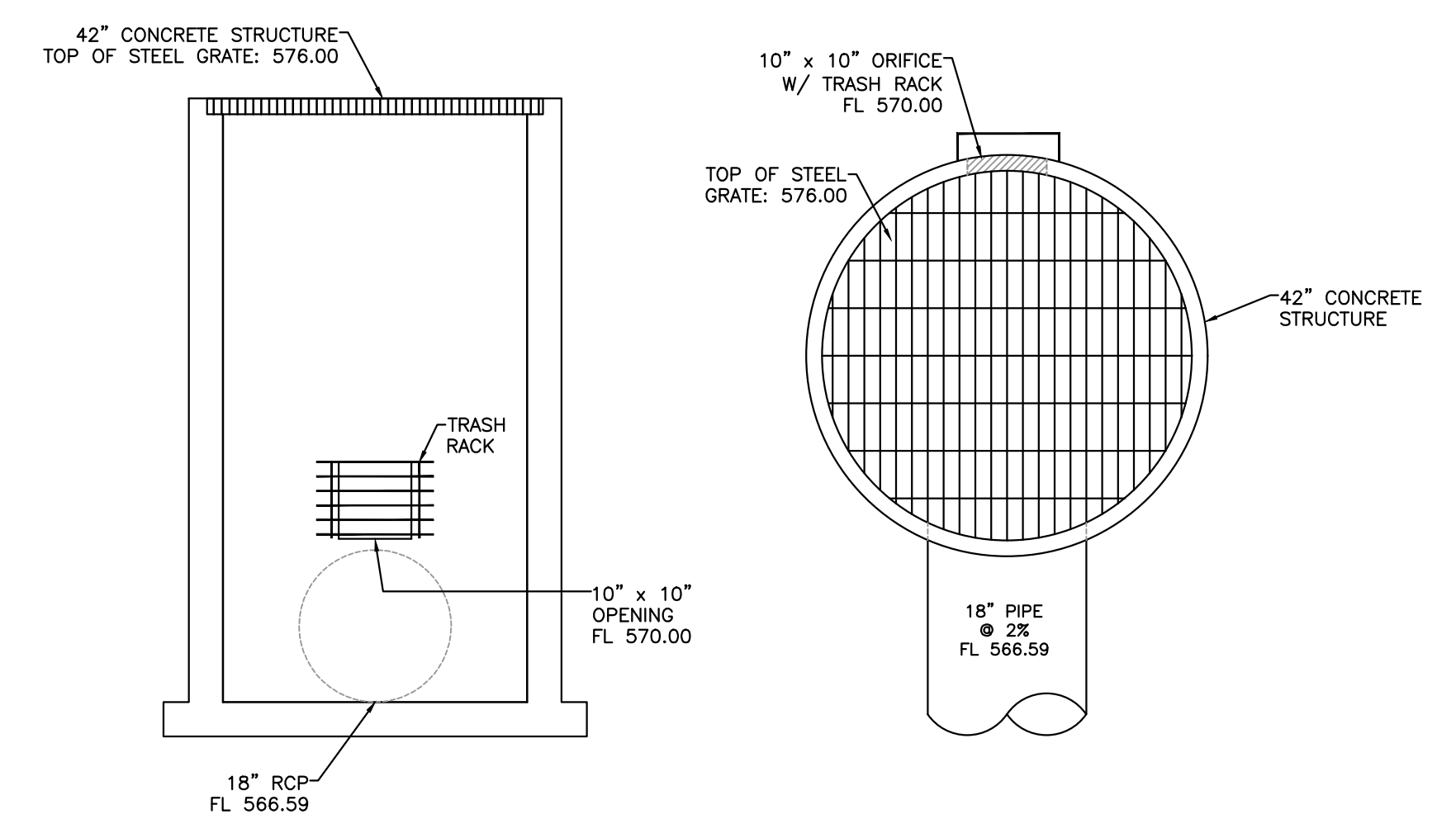


DETENTION SECTIONS
SCALE: HORIZ.: 1" = 50'
VERT.: 1" = 10'



UNDERGROUND UTILITIES HAVE BEEN PLOTTED FROM AVAILABLE INFORMATION AND THEREFORE THEIR LOCATIONS SHALL BE CONSIDERED APPROXIMATE ONLY. THE VERIFICATION OF THE LOCATION OF ALL UNDERGROUND UTILITIES, EITHER SHOWN OR NOT SHOWN ON THESE PLANS, SHALL BE THE RESPONSIBILITY OF THE CONTRACTOR, AND SHALL BE LOCATED PRIOR TO ANY GRADING AND/OR CONSTRUCTION OF IMPROVEMENTS.

Call BEFORE you DIG
TOLL FREE
1-800-344-7483
MISSOURI ONE-CALL SYSTEM, INC.

ENGINEER'S AUTHENTICATION
THE RESPONSIBILITY FOR THE PROFESSIONAL ENGINEERING LIABILITY ON THIS PROJECT IS HEREBY LIMITED TO THE SET OF PLANS AUTHENTICATED BY THE SEAL, SIGNATURE AND DATE HEREUNDER ATTACHED. RESPONSIBILITY IS DISCLAIMED FOR ALL OTHER ENGINEERING PLANS INVOLVED IN THE PROJECT AND SPECIFICALLY EXCLUDES REVISIONS AFTER THIS DATE UNLESS REAUTHENTICATED.

10-25-2024	CITY OF OFALLON COMMENT REVISIONS
11-14-2024	IMPROVEMENT PLAN SUBMITTAL
11-27-2024	DCSD & PWS&R COMMENT REVISIONS
11-27-2024	CITY OF OFALLON COMMENT REVISIONS
12-02-2024	DCSD COMMENT REVISIONS
04-11-2025	PHASING REVISIONS
04-23-2025	GRADING QUANTITIES
05-08-2025	ADD SAWCUT NOTE PER CITY COMMENT
07-28-2025	ADDED LIGHT STANDARDS PER LIGHTING PLAN
08-25-2025	REVISED TRASH ENCLOSURE AND ADA TRAIL DESIGN

IMPROVEMENT PLAN
THE VILLAGES AT MONTRACHET
WEST COMMERCIAL
DETENTION

ST. CHARLES ENGINEERING & SURVEYING, INC.
801 S. FIFTH STREET, SUITE 202
ST. CHARLES, MO 63301
TEL: (636) 947-0607 FAX: (636) 947-2448
ST. CHARLES ENGINEERING AND SURVEYING, INC.
PROFESSIONAL ENGINEERING AND LAND SURVEYING CORPORATION
MISSOURI STATE CERTIFICATE OF AUTHORITY - 001647 & 000379

S E S

STATE OF MISSOURI
MICHAEL NEWELL
MEMBER
REGISTERED PROFESSIONAL ENGINEER
NO. 08272025

ORDER NO.
2024020

DATE
08/25/2025

7.0