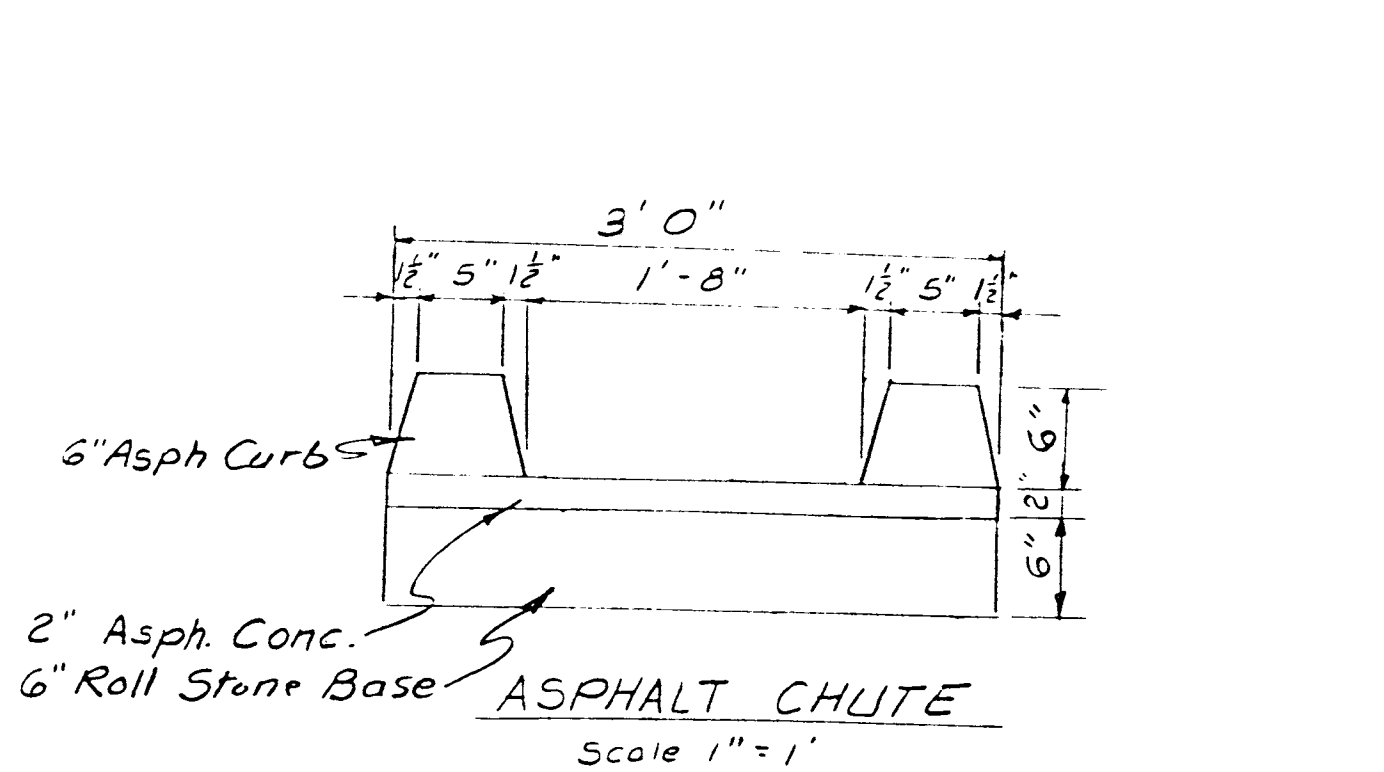
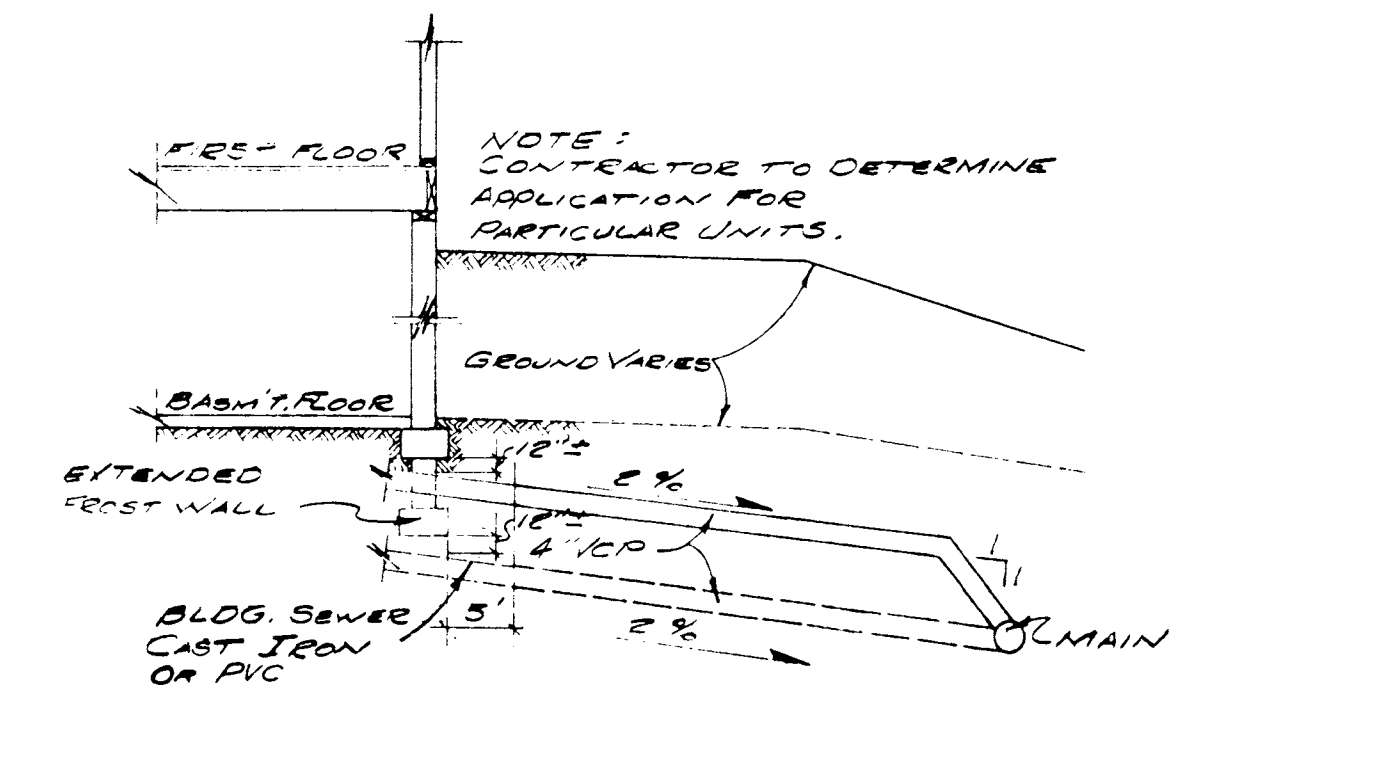
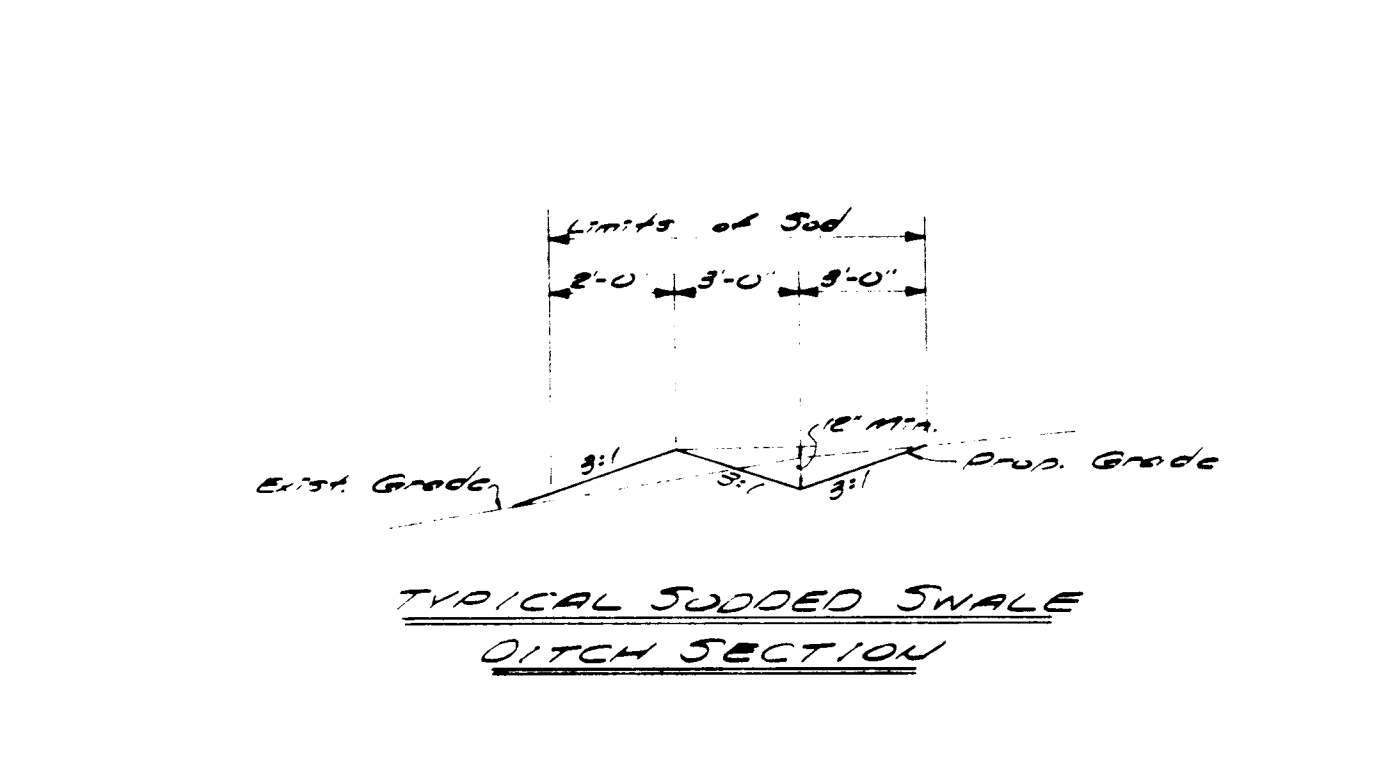
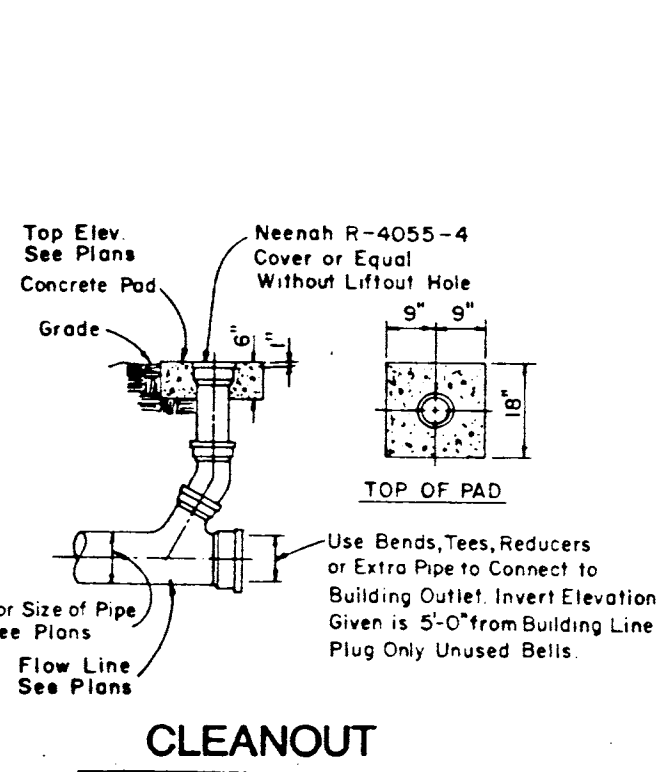
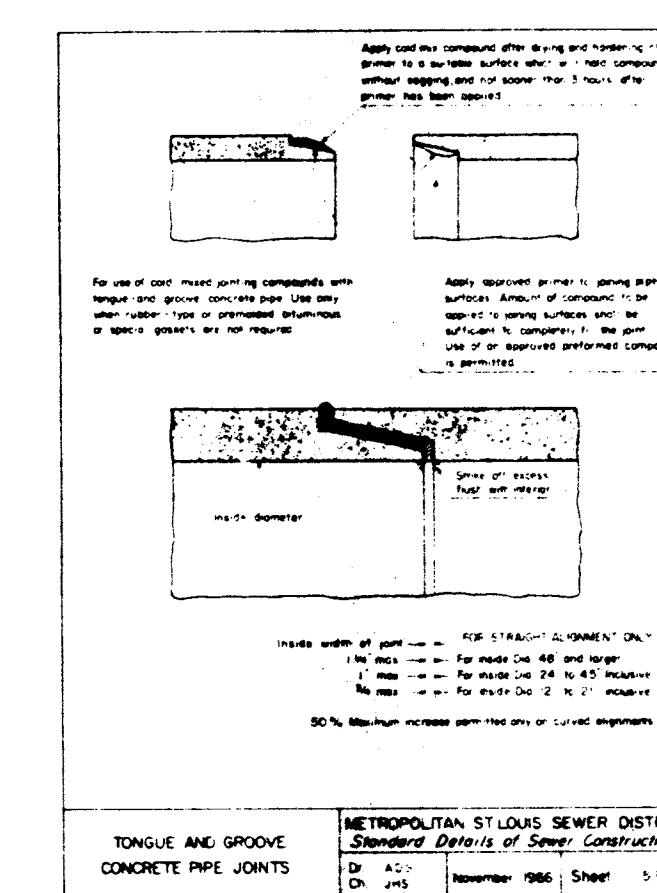
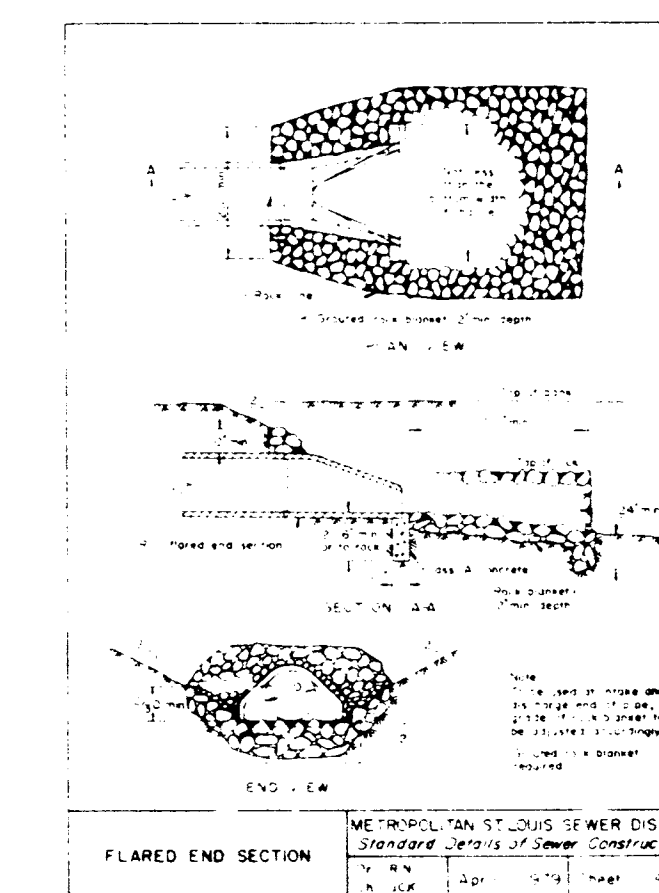
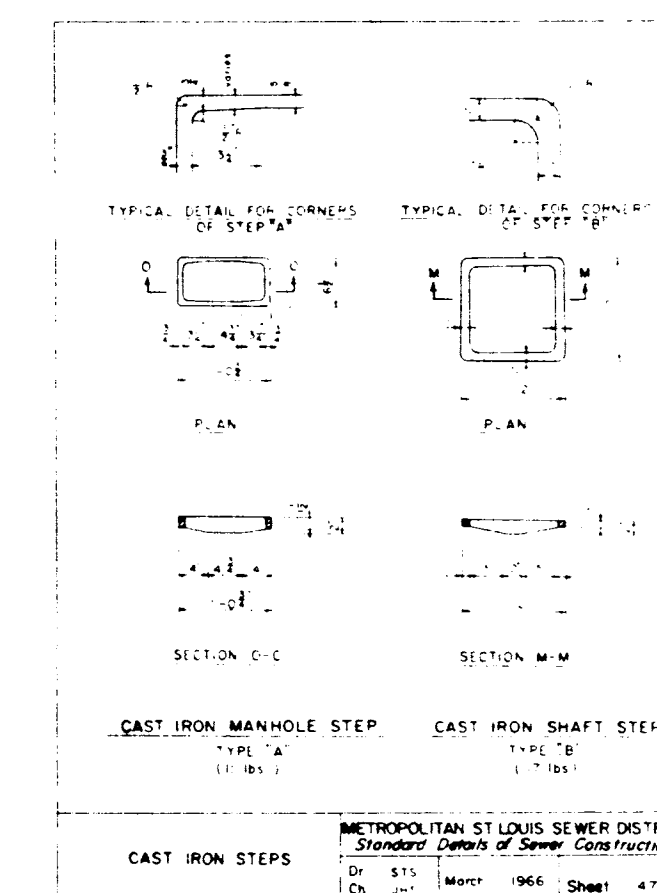
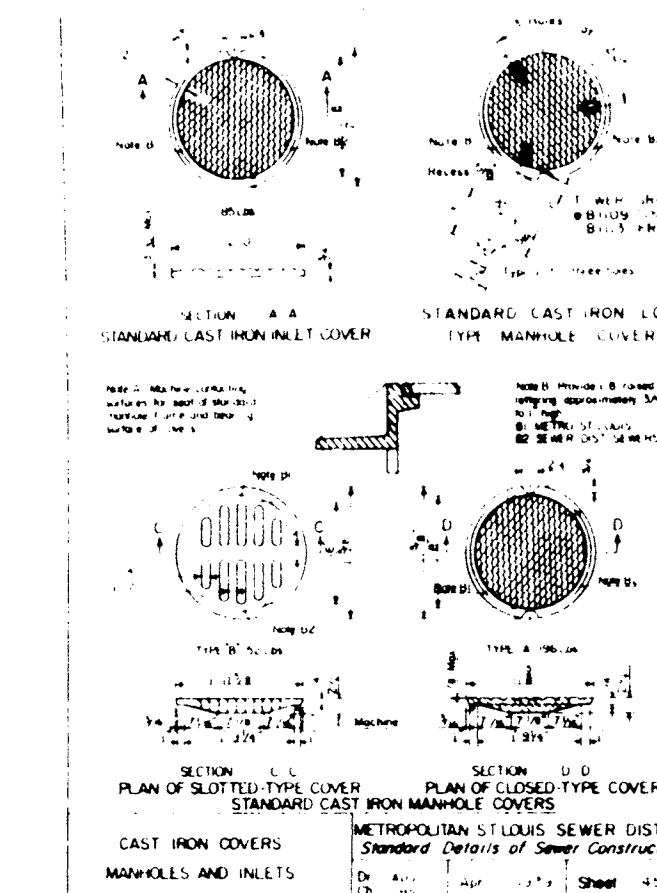
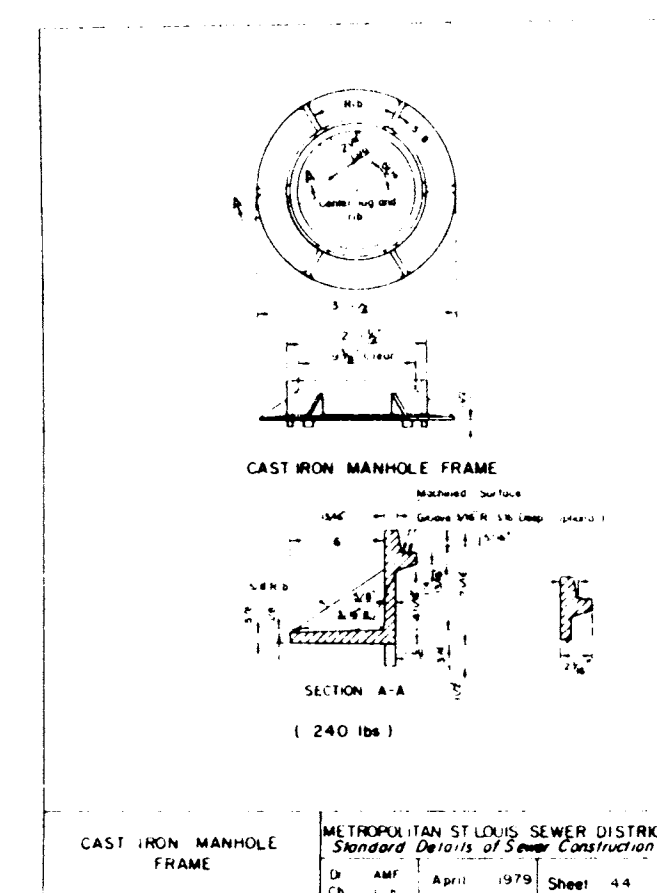
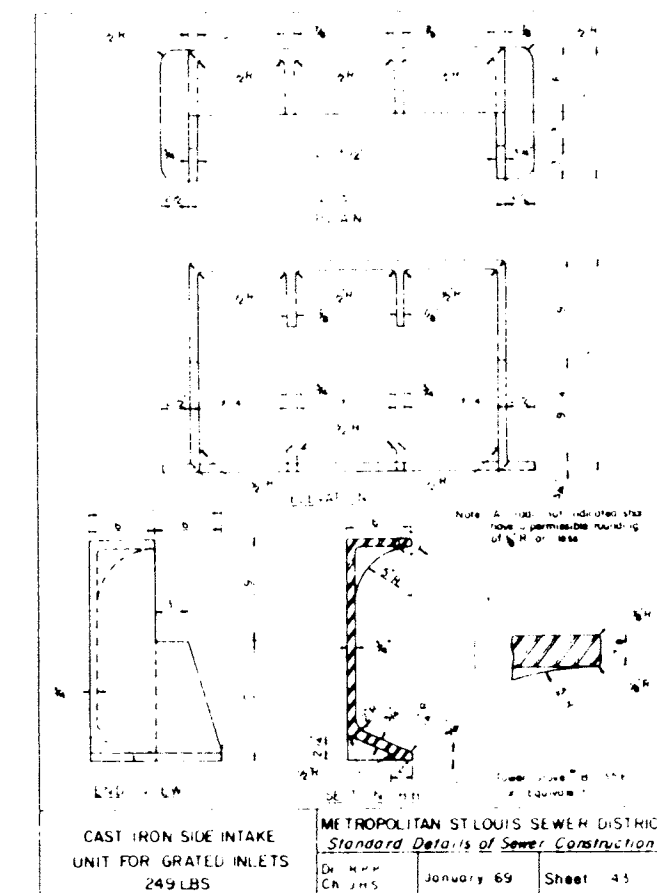
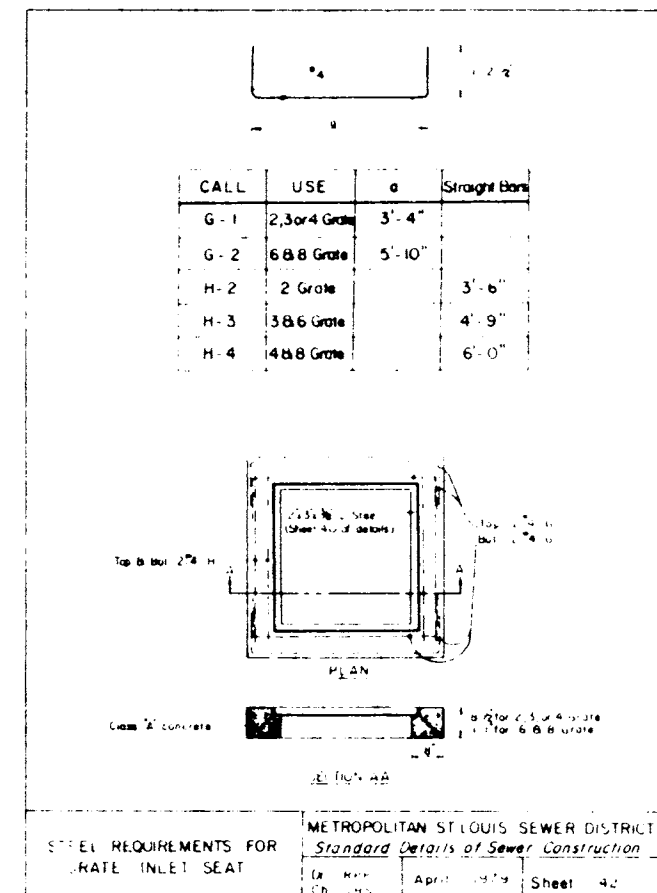
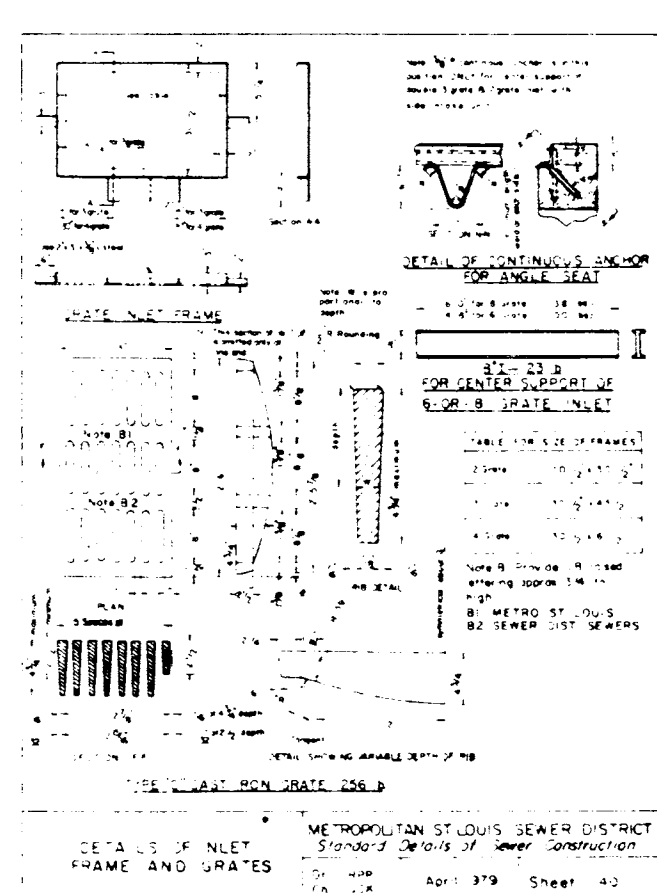
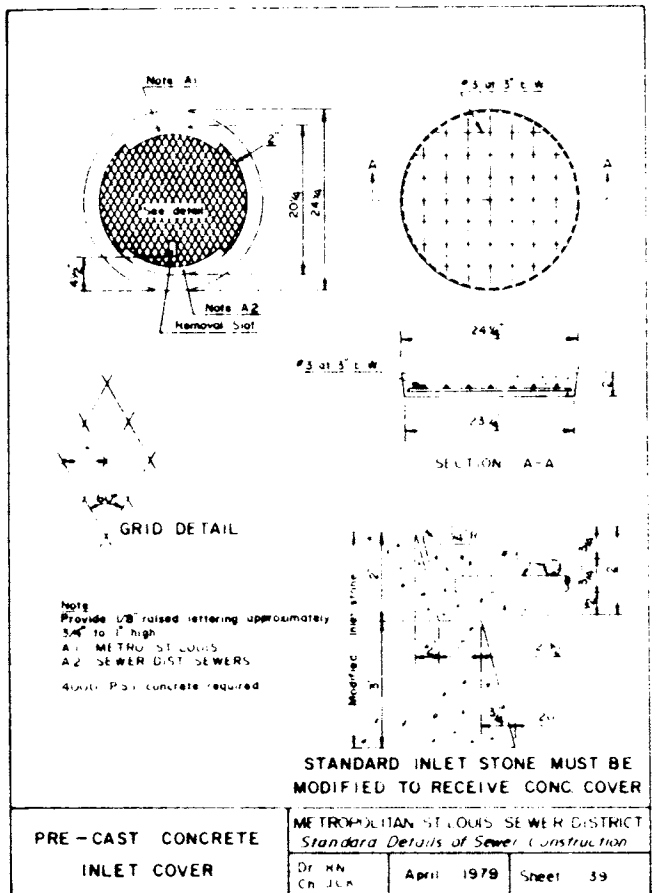
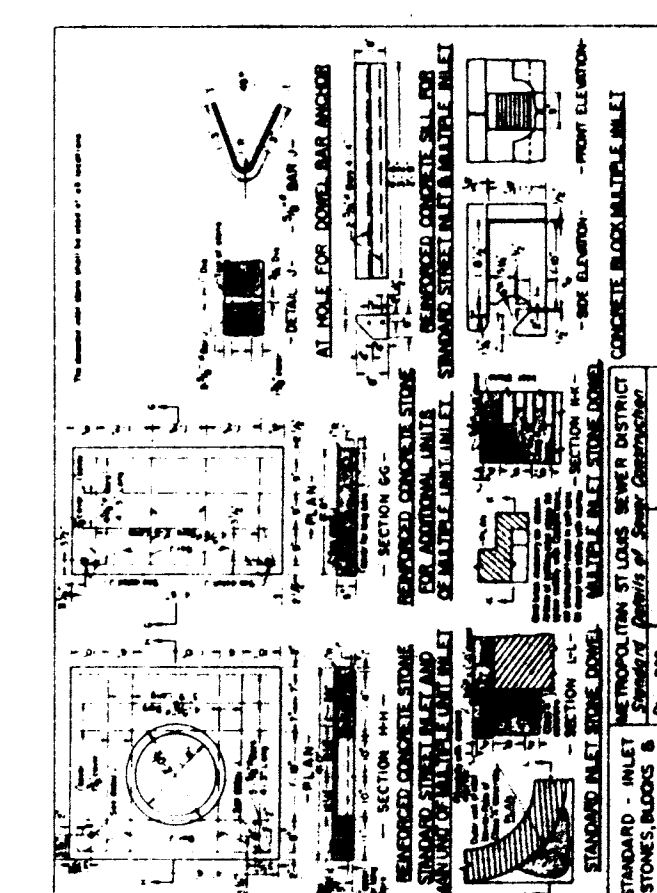
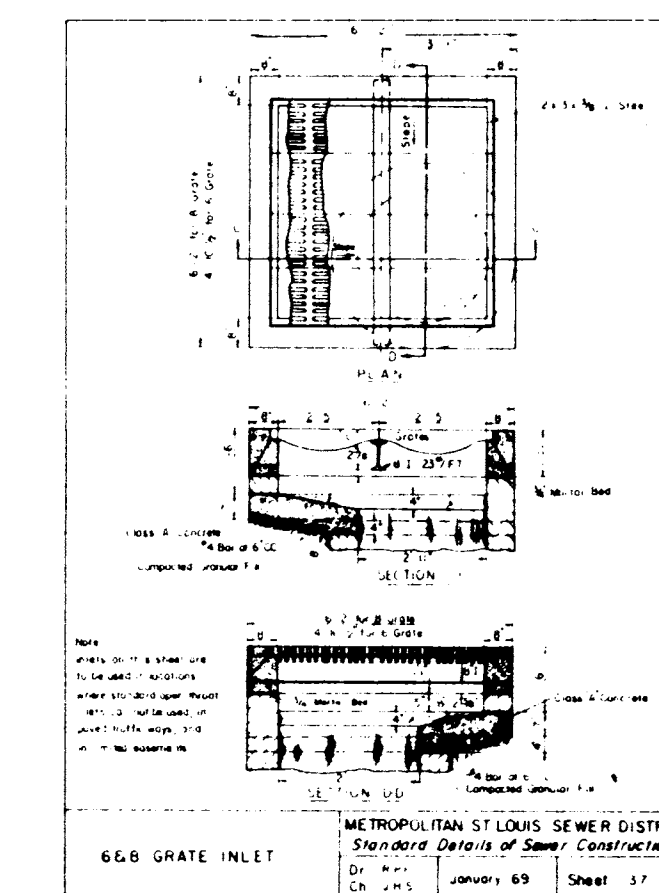
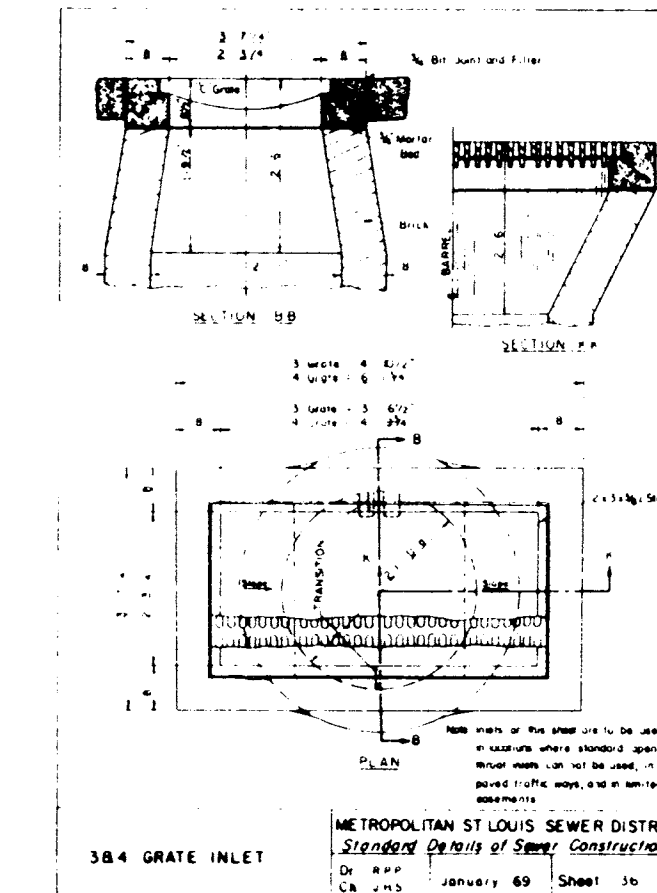
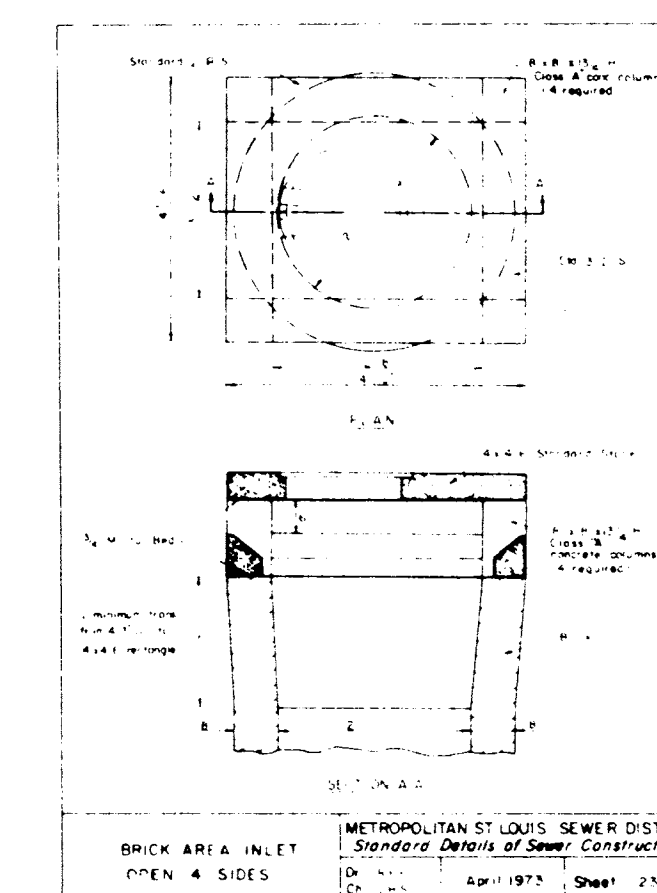
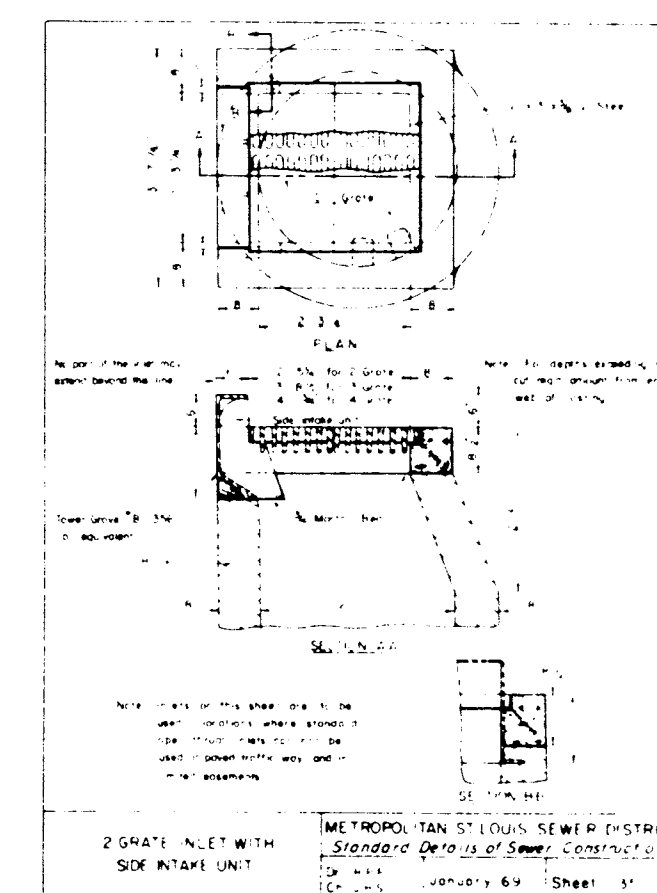
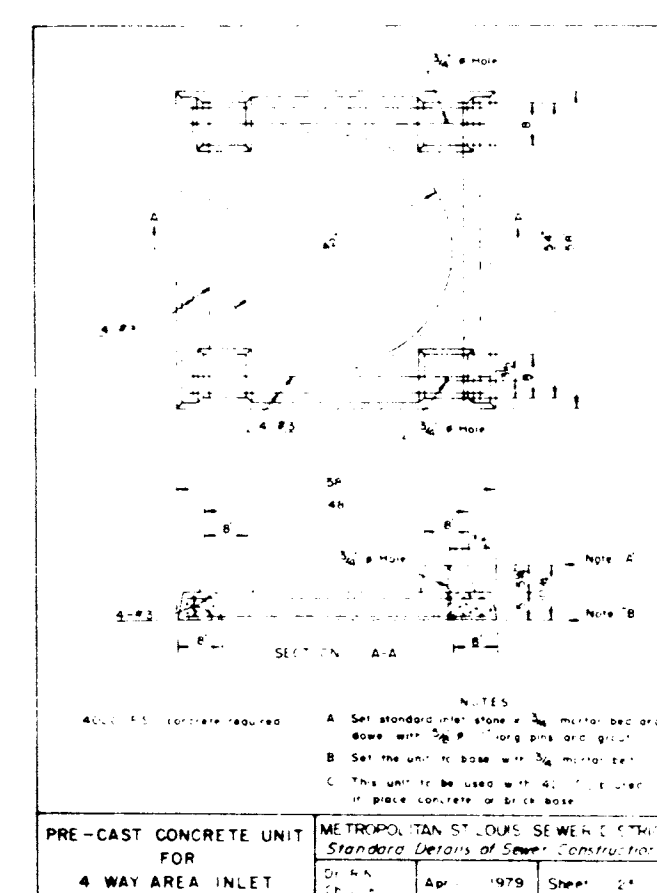
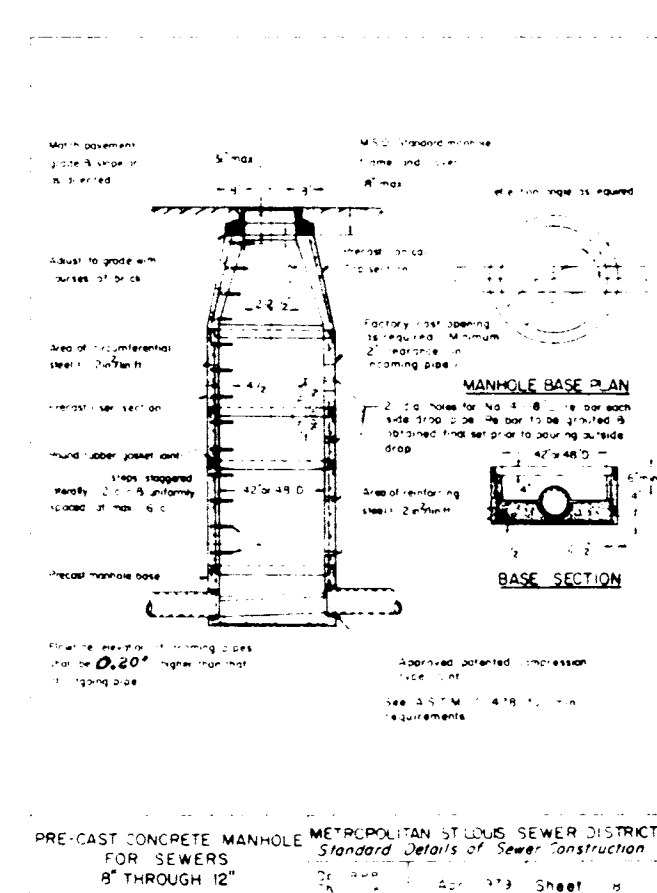
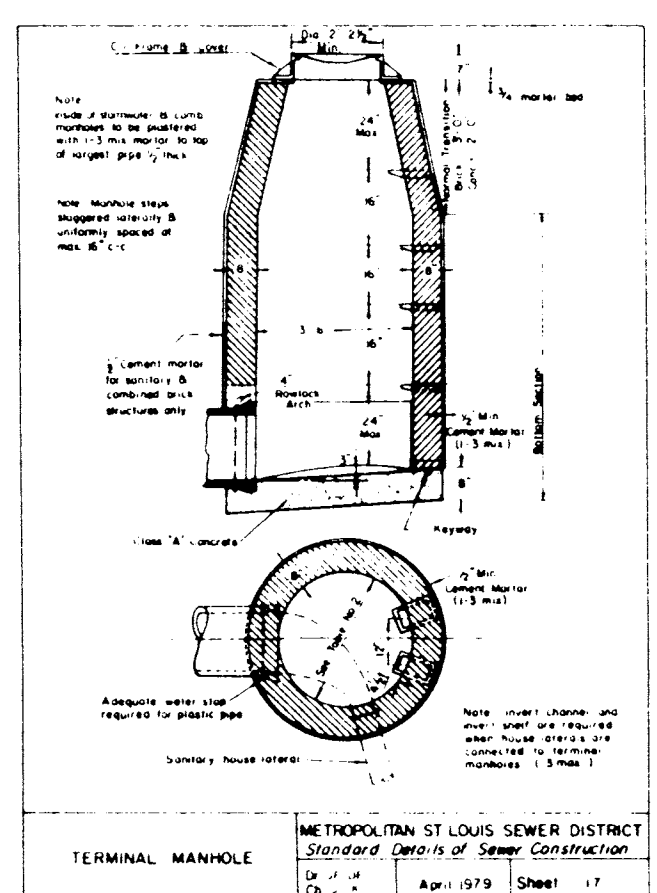
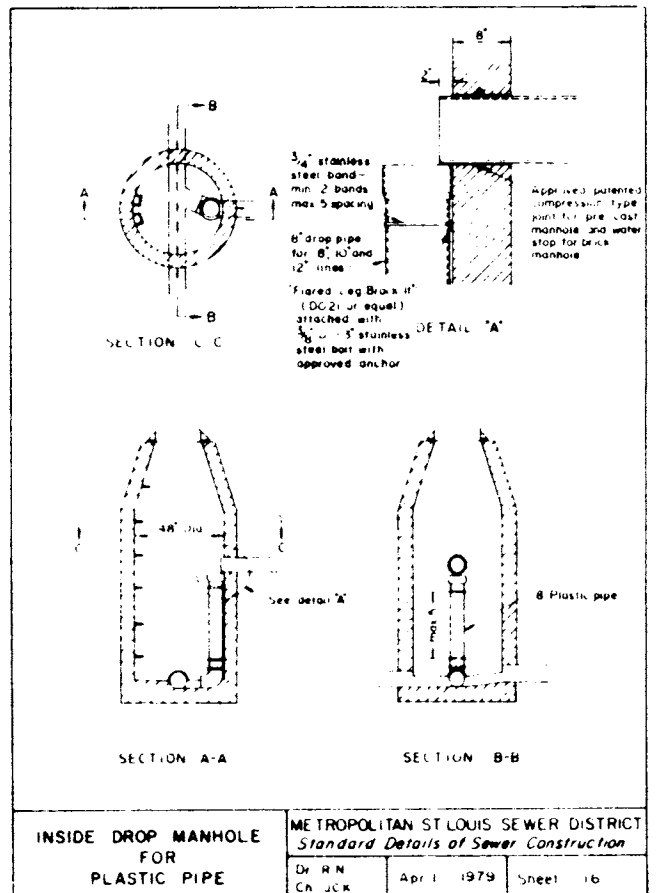
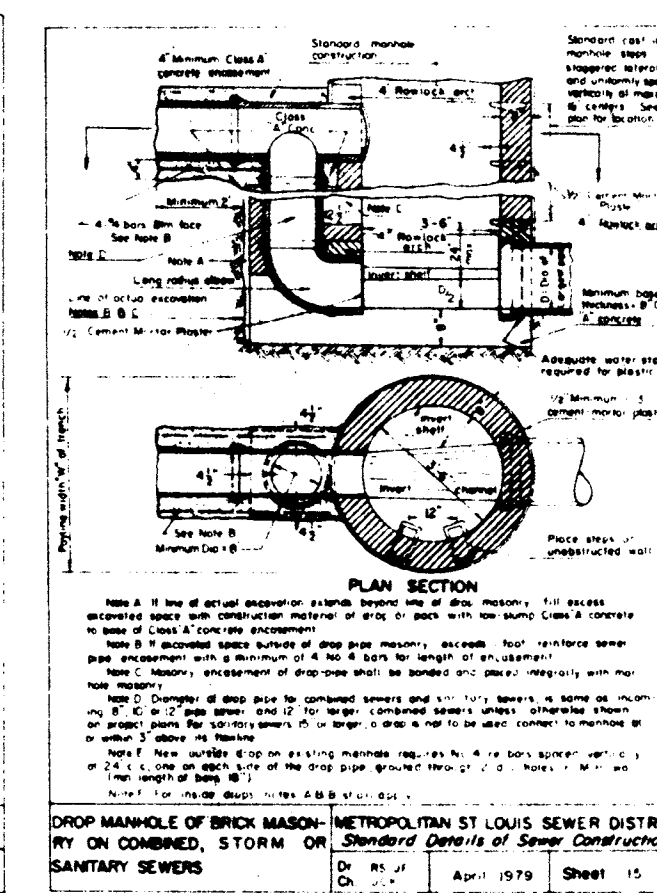
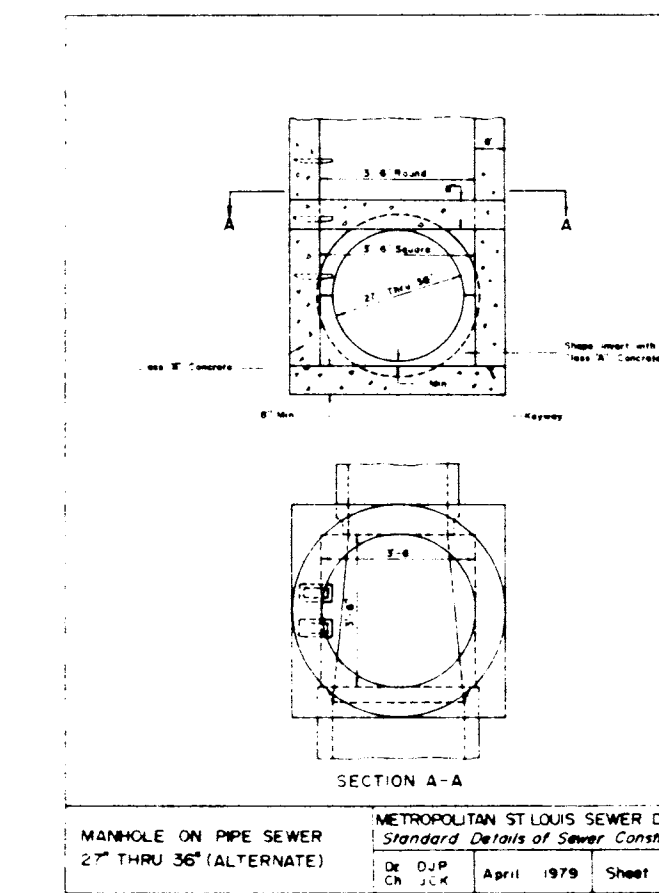
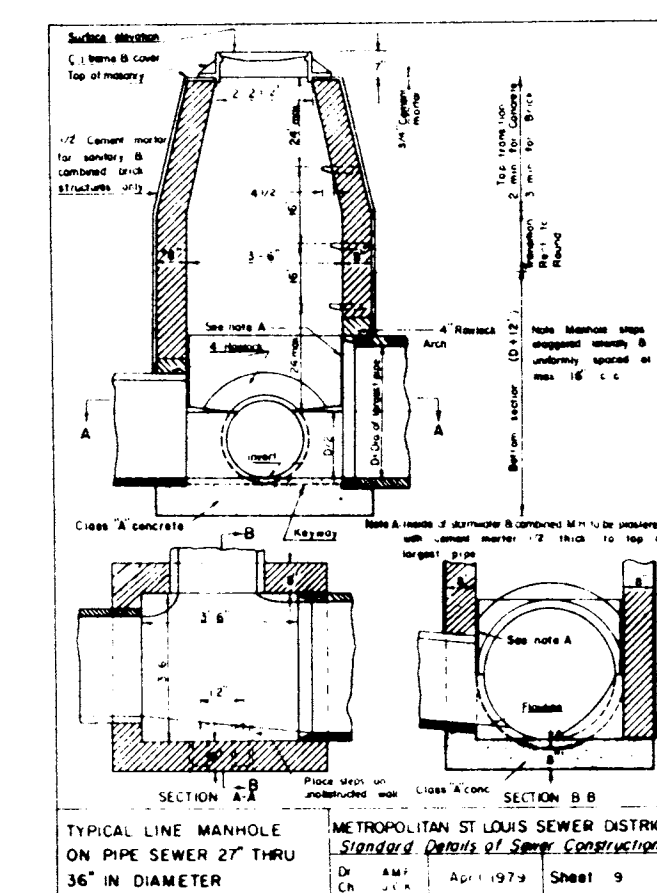
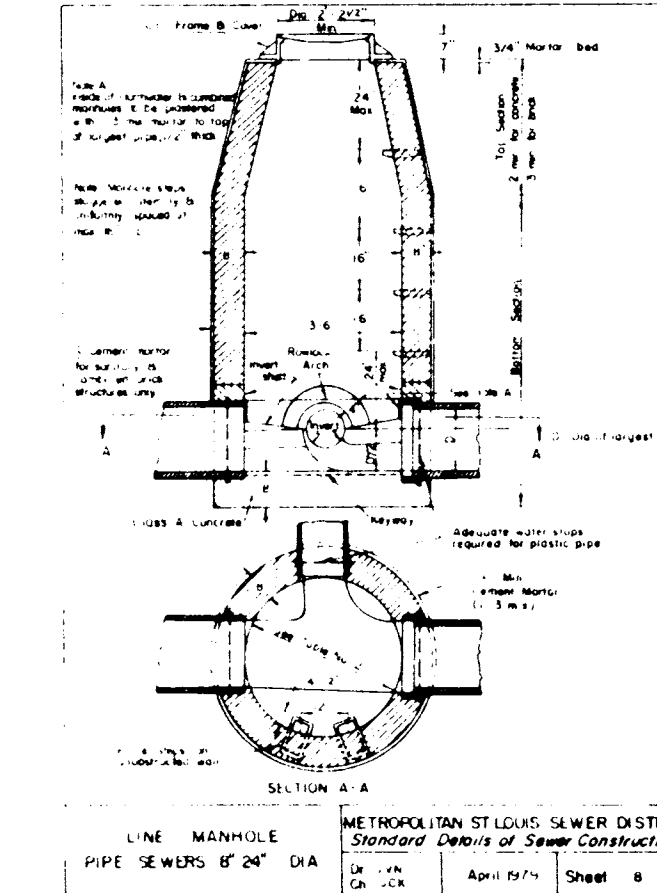
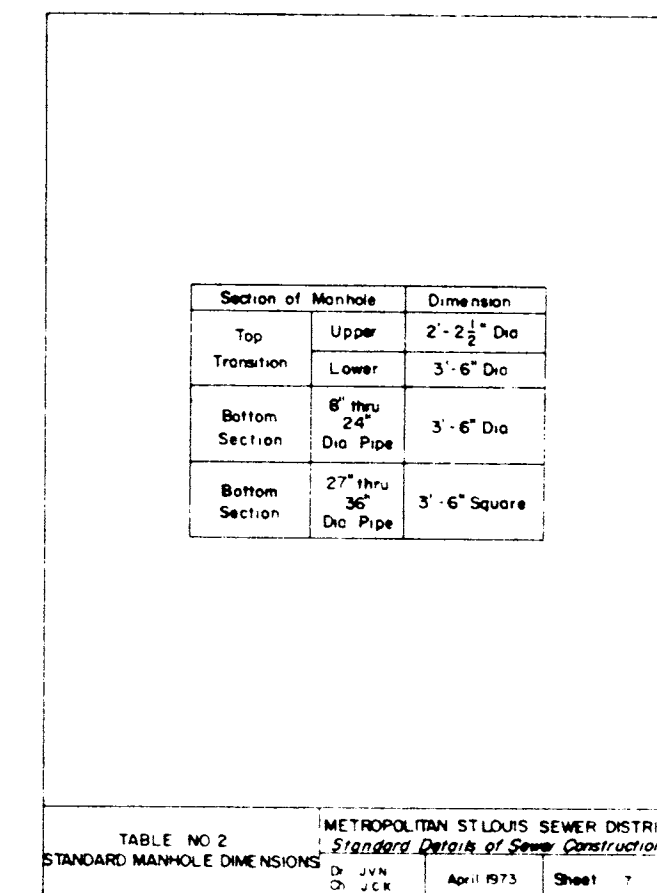
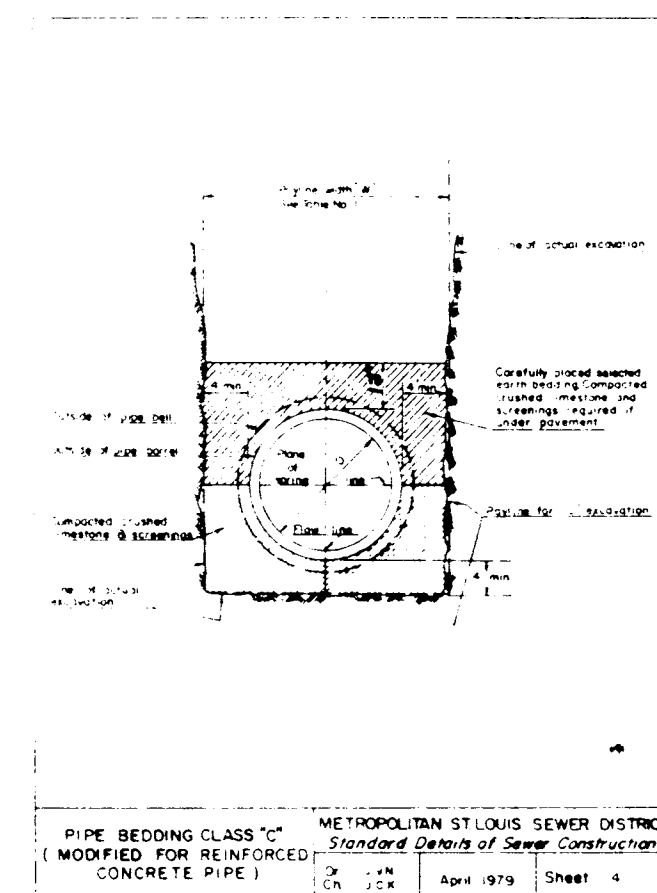
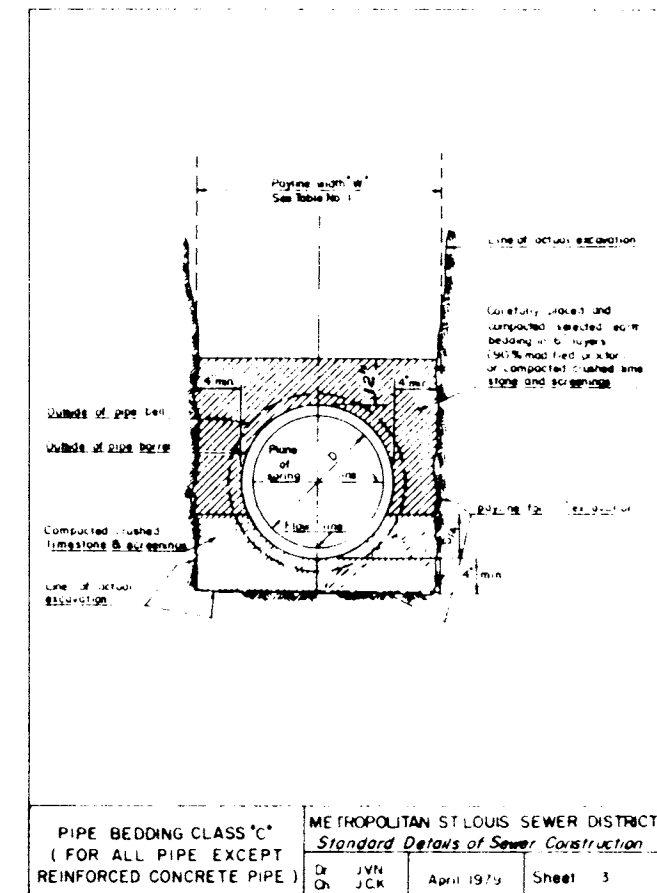
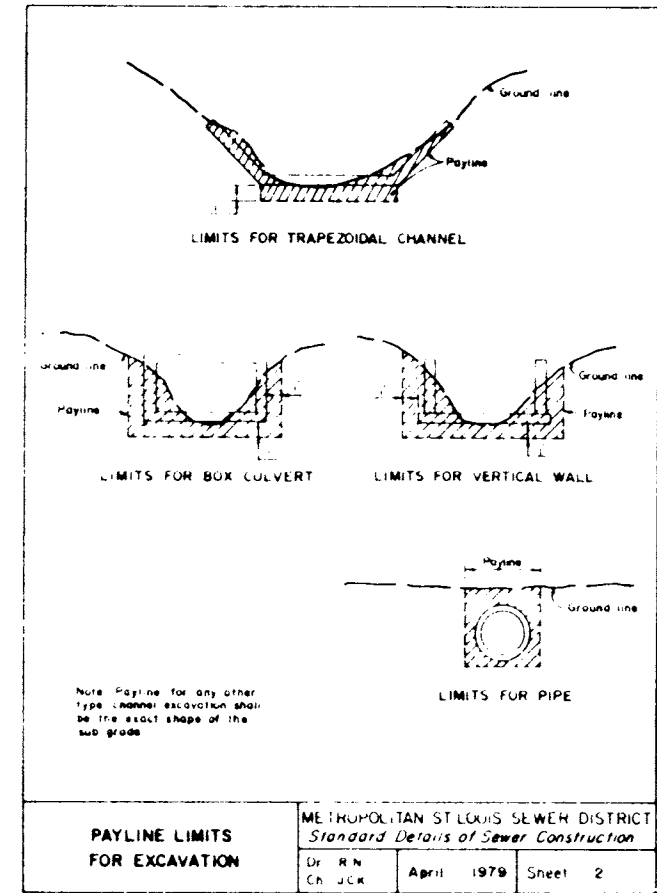


ROUND PIPE	HORIZONTAL EXCEPT FOR 18"
18"	18"
24"	24"
30"	30"
36"	36"
42"	42"
48"	48"
54"	54"
60"	60"
66"	66"
72"	72"
78"	78"
84"	84"
90"	90"
96"	96"
102"	102"
108"	108"
114"	114"
120"	120"
126"	126"
132"	132"
138"	138"
144"	144"
150"	150"
156"	156"
162"	162"
168"	168"
174"	174"
180"	180"
186"	186"
192"	192"
198"	198"
204"	204"
210"	210"
216"	216"
222"	222"
228"	228"
234"	234"
240"	240"
246"	246"
252"	252"
258"	258"
264"	264"
270"	270"
276"	276"
282"	282"
288"	288"
294"	294"
300"	300"
306"	306"
312"	312"
318"	318"
324"	324"
330"	330"
336"	336"
342"	342"
348"	348"
354"	354"
360"	360"
366"	366"
372"	372"
378"	378"
384"	384"
390"	390"
396"	396"
402"	402"
408"	408"
414"	414"
420"	420"
426"	426"
432"	432"
438"	438"
444"	444"
450"	450"
456"	456"
462"	462"
468"	468"
474"	474"
480"	480"
486"	486"
492"	492"
498"	498"
504"	504"
510"	510"
516"	516"
522"	522"
528"	528"
534"	534"
540"	540"
546"	546"
552"	552"
558"	558"
564"	564"
570"	570"
576"	576"
582"	582"
588"	588"
594"	594"
600"	600"
606"	606"
612"	612"
618"	618"
624"	624"
630"	630"
636"	636"
642"	642"
648"	648"
654"	654"
660"	660"
666"	666"
672"	672"
678"	678"
684"	684"
690"	690"
696"	696"
702"	702"
708"	708"
714"	714"
720"	720"
726"	726"
732"	732"
738"	738"
744"	744"
750"	750"
756"	756"
762"	762"
768"	768"
774"	774"
780"	780"
786"	786"
792"	792"
798"	798"
804"	804"
810"	810"
816"	816"
822"	822"
828"	828"
834"	834"
840"	840"
846"	846"
852"	852"
858"	858"
864"	864"
870"	870"
876"	876"
882"	882"
888"	888"
894"	894"
900"	900"
906"	906"
912"	912"
918"	918"
924"	924"
930"	930"
936"	936"
942"	942"
948"	948"
954"	954"
960"	960"
966"	966"
972"	972"
978"	978"
984"	984"
990"	990"
996"	996"
1002"	1002"
1008"	1008"
1014"	1014"
1020"	1020"
1026"	1026"
1032"	1032"
1038"	1038"
1044"	1044"
1050"	1050"
1056"	1056"
1062"	1062"
1068"	1068"
1074"	1074"
1080"	1080"
1086"	1086"
1092"	1092"
1098"	1098"
1104"	1104"
1110"	1110"
1116"	1116"
1122"	1122"
1128"	1128"
1134"	1134"
1140"	1140"
1146"	1146"
1152"	1152"
1158"	1158"
1164"	1164"
1170"	1170"
1176"	1176"
1182"	1182"
1188"	1188"
1194"	1194"
1200"	1200"
1206"	1206"
1212"	1212"
1218"	1218"
1224"	1224"
1230"	1230"
1236"	1236"
1242"	1242"
1248"	1248"
1254"	1254"
1260"	1260"
1266"	1266"
1272"	1272"
1278"	1278"
1284"	1284"
1290"	1290"
1296"	1296"
1302"	1302"
1308"	1308"
1314"	1314"
1320"	1320"
1326"	1326"
1332"	1332"
1338"	1338"
1344"	1344"
1350"	1350"
1356"	1356"
1362"	1362"
1368"	1368"
1374"	1374"
1380"	1380"
1386"	1386"
1392"	1392"
1398"	1398"
1404"	1404"
1410"	1410"
1416"	1416"
1422"	1422"
1428"	1428"
1434"	1434"
1440"	1440"
1446"	1446"
1452"	1452"
1458"	1458"
1464"	1464"
1470"	1470"
1476"	1476"
1482"	1482"
1488"	1488"
1494"	1494"
1500"	1500"



THE VILLAGES OF PHEASANT POINT  
SEWER DETAILS

**Fox & Cole**  
Consulting Engineers  
Planning  
Civil Engineering  
Surveying

5000 Cedar Plaza Parkway • Suite 301 • St. Louis MO 63128 • 314.849.6930

Drawn By	Checked By	Project Number	Sheet Number
MG	MAK	84-006	11 OF 14
Date	Revisions		
4-29-85			