

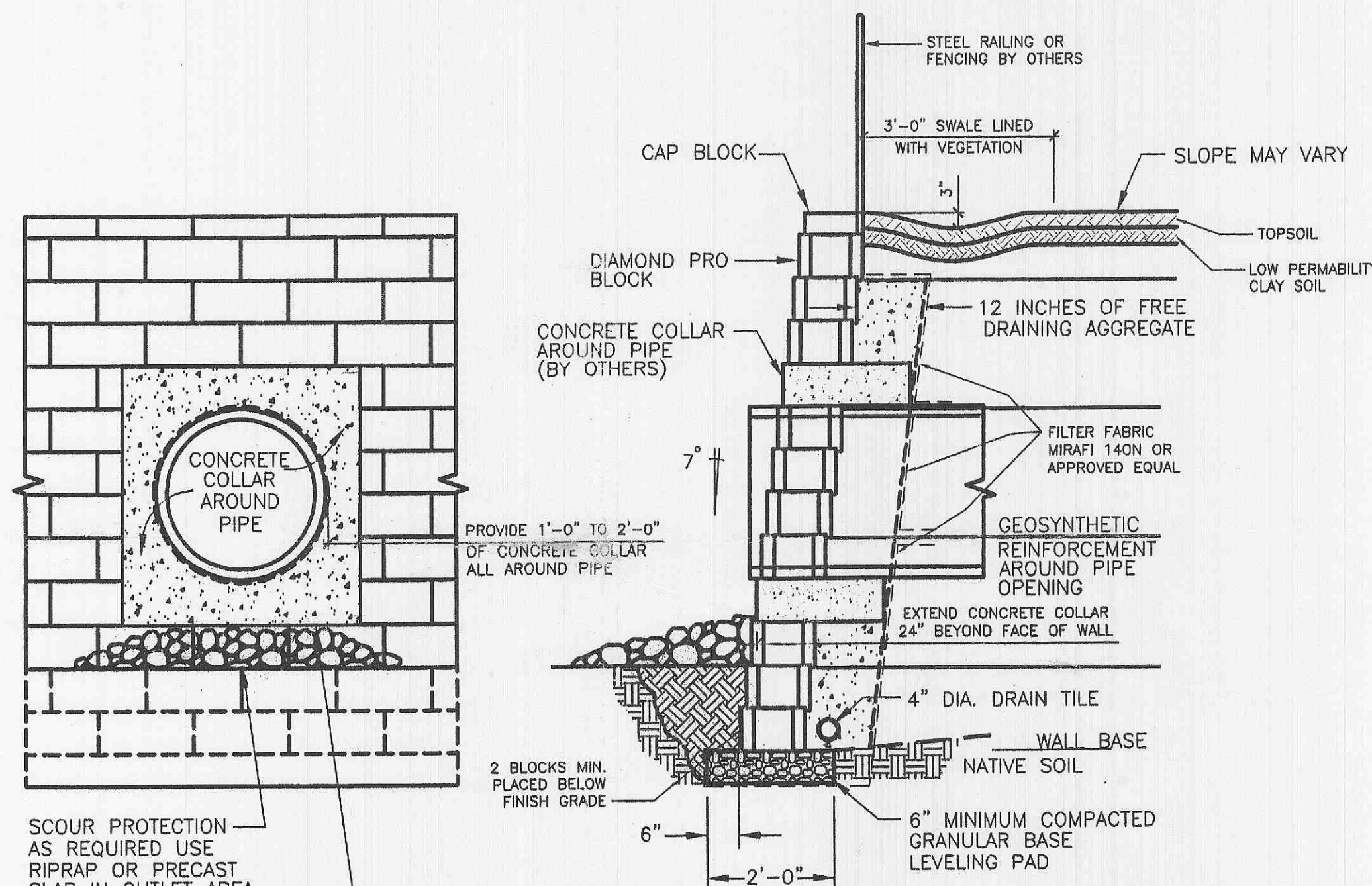
TYPICAL WALL SECTION FOR ANCHOR DIAMOND PRO GEOSYNTHETIC REINFORCED WALL
(SCALE 1/2"=1'-0")

OCCURS AT WALL 1 - UNITS 1A TO 6A
WALL 2 - UNITS 7A TO 10A
WALL 3 - UNITS 11A TO 22A
WALL 4 - UNITS 23A TO 25A
WALL 5 - EAST OF SPRING CREEK LANE

REF. STERLING GRADING PLANS 2.1 THRU 2.6 FOR LOCATIONS AND WALL HEIGHTS

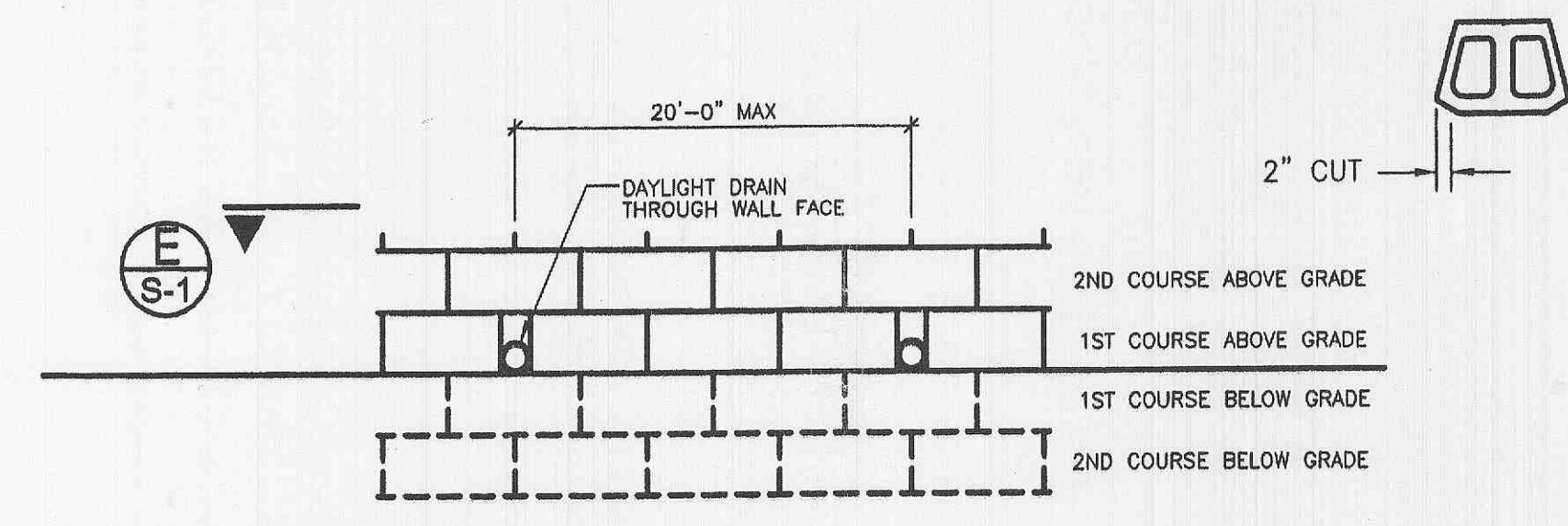
Exposed Wall Heights ft.	Embedment Below Final Grade	Length of Grid
0'-2'	1 Block	No Grid
2.1'-4'	2 Blocks	4.0'
4.1'-5'	2 Blocks	6.0'
5.1'-7'	2 Blocks	7.0'
7.1'-10'	2 Blocks	9.0'

RAUGRID REINFORCEMENT AND BLOCK EMBEDMENT FOR VARYING WALL HEIGHT



FACE WALL

DETENTION BASIN SECTION AT ANCHOR DIAMOND PRO THROUGH PIPE OUTLET DETAIL
(SCALE 1/2"=1'-0")



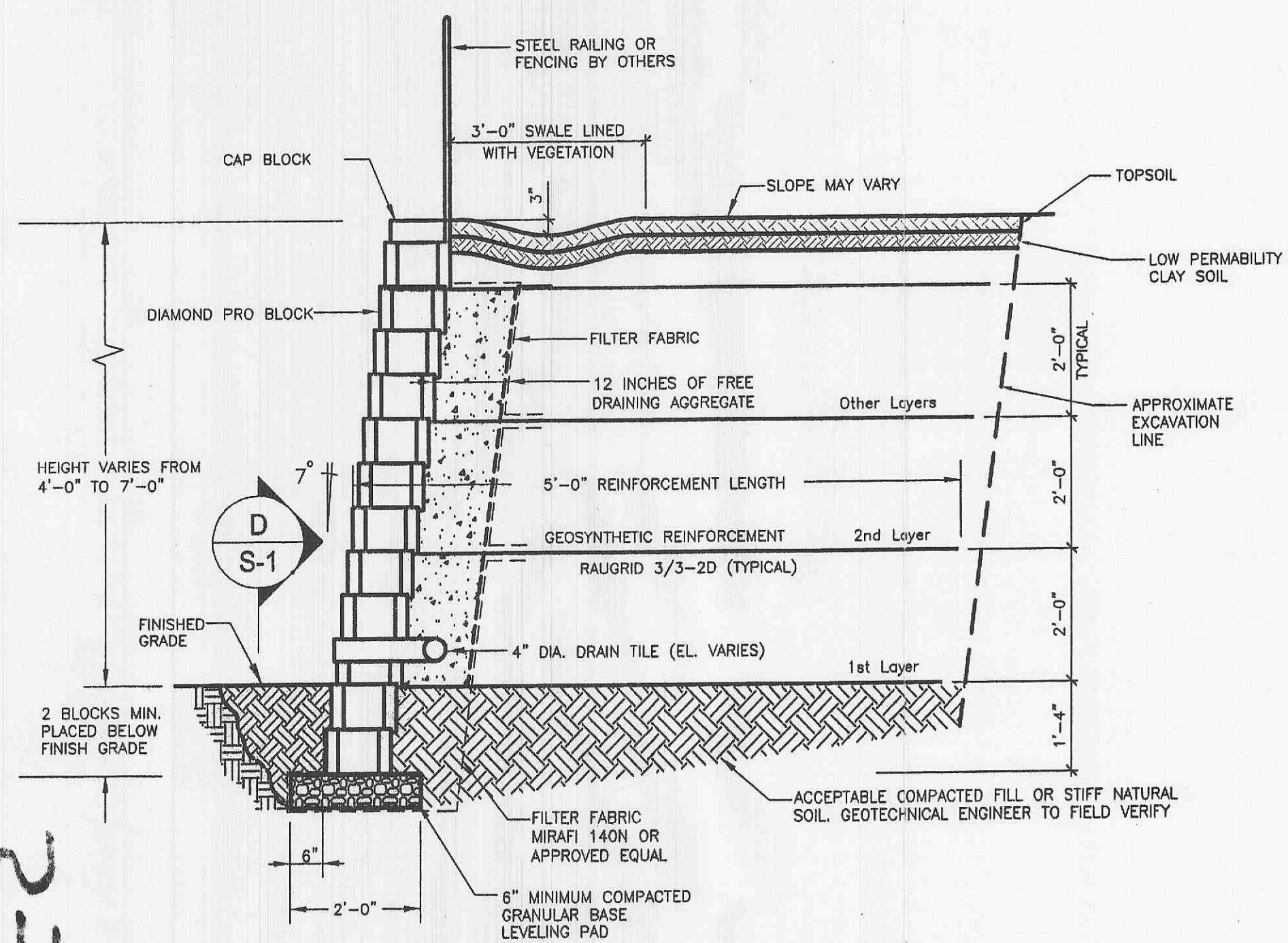
ELEVATION OF FRONT AT DETENTION WALL
(SCALE 1/2"=1'-0")

GENERAL NOTES:

- CONSULT MANUFACTURERS FOR MINIMUM SPECIFICATION FOR PLACEMENT, CONSTRUCTION, MATERIALS, AND DETAILS.
- LOCATIONS AND PROFILE OF THE PROPOSED WALL ARE BASED ON THE RETAINING WALL PROFILE PREPARED BY THE STERLING CO. DATED MARCH 2, 2005. RETAINING WALL CROSS SECTIONS AND CALCULATIONS WERE PREPARED BY STRUCTURES, INC. DATED APRIL 14, 2005.
- A GEOTECHNICAL REPORT GENERATED BY GEOTEST, INC., DATED MAY 2004 AND PREPARED FOR MCBRIDE AND SON HOMES, INC. WAS REFERENCED WITH RESPECT TO BORING INFORMATION AND APPLICABLE SOIL PROPERTIES AND RECOMMENDATIONS.
- OBSERVATION OF CONSTRUCTION BY THE GEOTECHNICAL ENGINEER IS NECESSARY TO PROPERLY IMPLEMENT THE WALL DESIGN. FIELD OBSERVATION AND TESTING SERVICES ARE VIEWED AS ESSENTIAL AND A CONTINUATION OF THE DESIGN PROCESS.
- THE RETAINING WALL DESIGN IS BASED ON USING ANCHOR DIAMOND PRO BLOCK UNITS AND RAUGRID 3/3 - 20 GEOGRID. THE DESIGN IS NOT APPLICABLE TO OTHER BLOCKS AND/OR GEOGRIDS.
- NO CHANGES SHALL BE MADE TO THESE PLANS WITHOUT WRITTEN APPROVAL OF STRUCTURES INC.

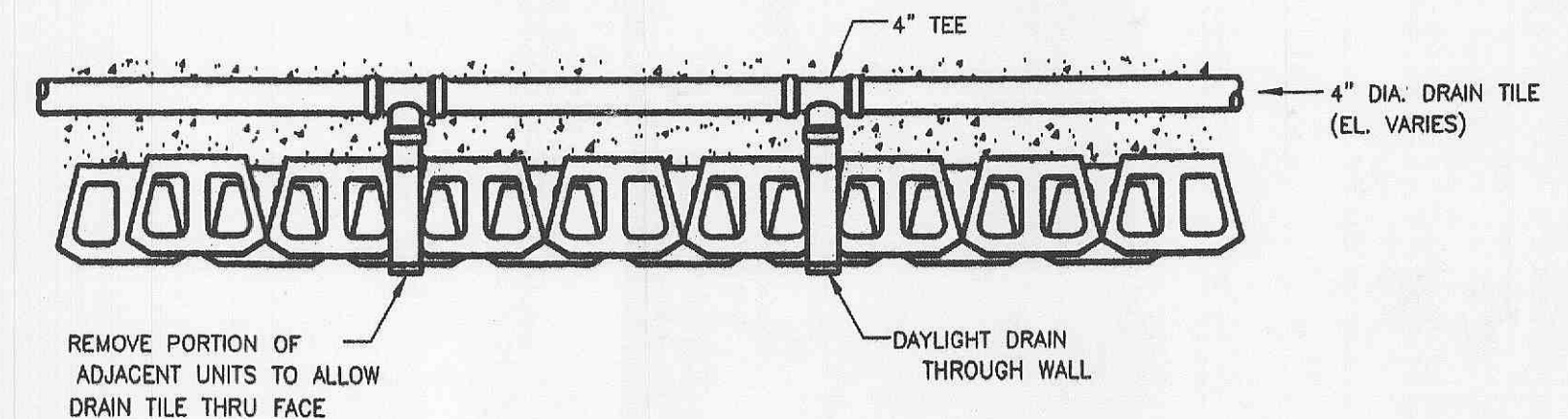
MINIMUM SPECIFICATIONS FOR PLACEMENT AND CONSTRUCTION USING ANCHOR DIAMOND PRO BLOCK (8 IN. X 12 IN X 18 IN.) AND RAUGRID GEOGRID:

- BACKFILL REINFORCEMENT SHALL BE RAUGRID 3/3-20 MANUFACTURED BY CARTHAGE MILLS, INC.
- RAUGRID GEOGRIDS SHALL BE ORIENTED WITH THE ROLL DIRECTION PERPENDICULAR TO THE WALL FACE, WITH NO OVERLAP OR SPACE BETWEEN ADJACENT GEOGRIDS.
- GEOGRID AND GEOGRID/ ANCHOR DIAMOND PRO BLOCK CONNECTIONS SHALL BE PULLED AND HELD TAUT UNTIL SUFFICIENT FILL IS PLACED OVER THE GEOGRID TO MAINTAIN TENSION IN THE GEOGRID.
- SURFACE DRAINAGE DURING AND AFTER CONSTRUCTION OF WALL SHALL BE PROVIDED TO REDUCE WATER INFILTRATION INTO THE REINFORCED ZONE.
- EROSION CONTROL MEASURES SHOULD BE TAKEN TO PREVENT ERODED MATERIAL FROM BEING CARRIED INTO ADJACENT PROPERTIES.
- INTERNAL DRAINAGE SHALL BE PROVIDED AS SHOWN.
- AFTER CUTTING TO GRADE, AREAS BELOW THE LEVELING PAD SHOULD BE SCARIFIED AND PROOF-ROLLED UNDER THE OBSERVATION OF A GEOTECHNICAL ENGINEER. SOFT AND WET SOILS, IF ENCOUNTERED, SHOULD BE REMOVED AND REPLACED WITH COMPACTED SP-SAND OR MINUS GRADED CRUSHED LIMESTONE.
- THE BACKFILL WITHIN THE WALL'S REINFORCED ZONE SHOULD CONSIST OF 1" MINUS CRUSHED LIMESTONE AS APPROVED BY STRUCTURES INC. THE BACKFILL SHALL BE PLACED IN HORIZONTAL LIFTS NOT EXCEEDING 8 INCHES IN DENSITY AS DETERMINED IN ACCORDANCE WITH ASTM-D-1557 (MODIFIED PROCTOR DENSITY).
- EACH COURSE SHALL BE COMPLETELY BACKFILLED BETWEEN BLOCKS WITH HAND COMPACTED 1 INCH CLEAN CRUSHED LIMESTONE. ALL EXCESS MATERIAL SHALL BE SWEEPED FROM THE TOP OF THE UNITS PRIOR TO INSTALLING THE NEXT COURSE.
- THE 1-INCH CLEAN CRUSHED LIMESTONE USED FOR INTERNAL DRAINAGE SHALL BE PLACED IN 8-INCH-THICK LIFTS AND COMPACTED WITH A MINIMUM OF TWO PASSES OF A VIBRATORY COMPACTOR. DENSITY TESTS ARE NOT REQUIRED.
- HEAVY COMPACTION EQUIPMENT SHALL NOT BE OPERATED WITHIN THREE FEET OF THE WALL FACE. HAND OPERATED EQUIPMENT SHALL BE USED WITHIN THREE FEET OF THE FACING UNITS.
- CONSTRUCTION EQUIPMENT SHALL NOT BE OPERATED DIRECTLY ON THE GEOGRID.
- STORM WATER RUN-OFF FROM EXISTING SLOPE ABOVE THE WALL SHOULD BE DIVERTED TO PREVENT THE STORM WATER FROM FLOWING OVER AND DOWN THE FACE OF THE WALL.
- INSTALL ANCHOR DIAMOND PRO BLOCKS USING 7.13 DEGREE WALL BATTER.



DETENTION BASIN TYPICAL WALL SECTION ANCHOR DIAMOND PRO DAYLIGHT DRAIN TILE THROUGH WALL
(SCALE 1/2"=1'-0")

NOTE: REF. STERLING GRADING PLANS 2.1 THRU 2.6 FOR LOCATIONS AND WALL HEIGHTS



PLAN BEHIND DETENTION WALL
(SCALE 1/2"=1'-0")

STRUCTURES INC.
A STRUCTURAL ENGINEERING FIRM
LICENSED IN 48 STATES
8618 Gateway
P.O. Box 123
Pawnee, OK 74058-0123
Phone: (405) 658-6650
Fax: (405) 658-6652

PROFESSIONAL ENGINEER
ANWAR YUSUF
NUMBER 19169
THIS REGISTERED PROFESSIONAL ENGINEER HAS REVIEWED THESE PLANS AND APPROVES THEM FOR THE PROJECT.

NO.	ISSUE	DATE
7		
6		
5		
4		
3		
2		
1		

MODULAR WALL FOR VILLAGES AT SPRINGHURST

SHEET INFORMATION

Date:	04-18-05
Scale:	AS NOTED
Drawn By:	M.S.
Checked By:	JK/AY
Job Number:	