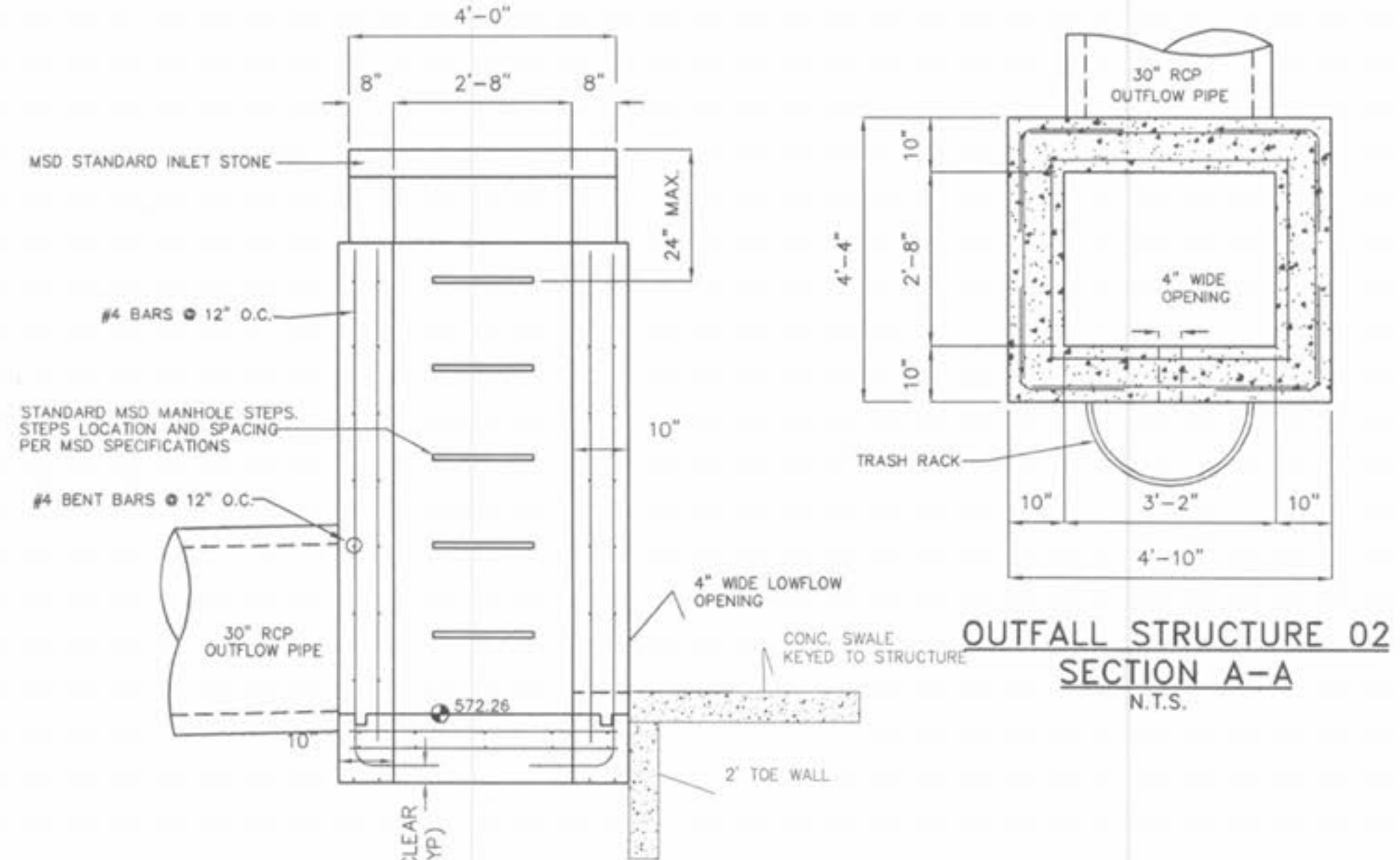
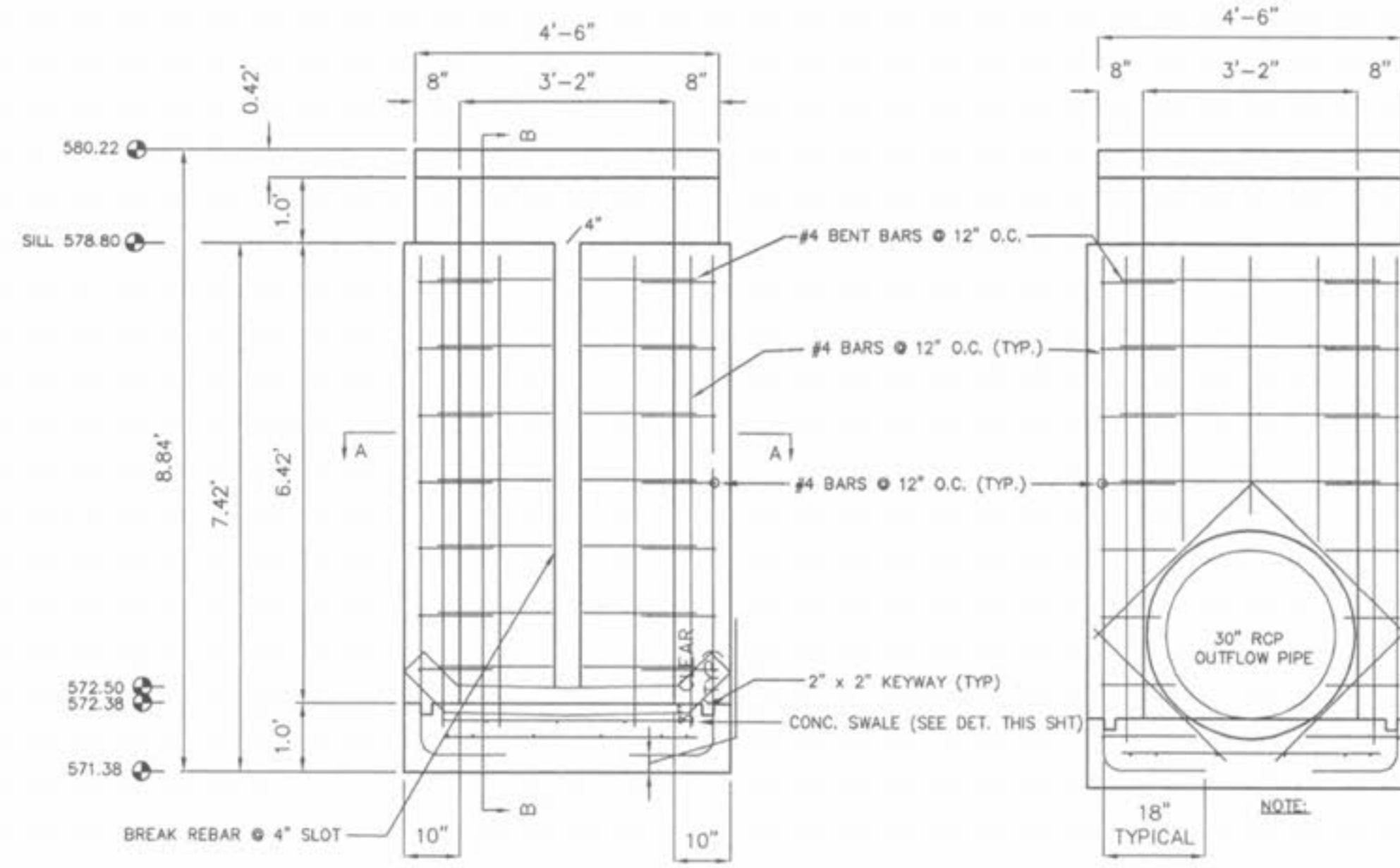
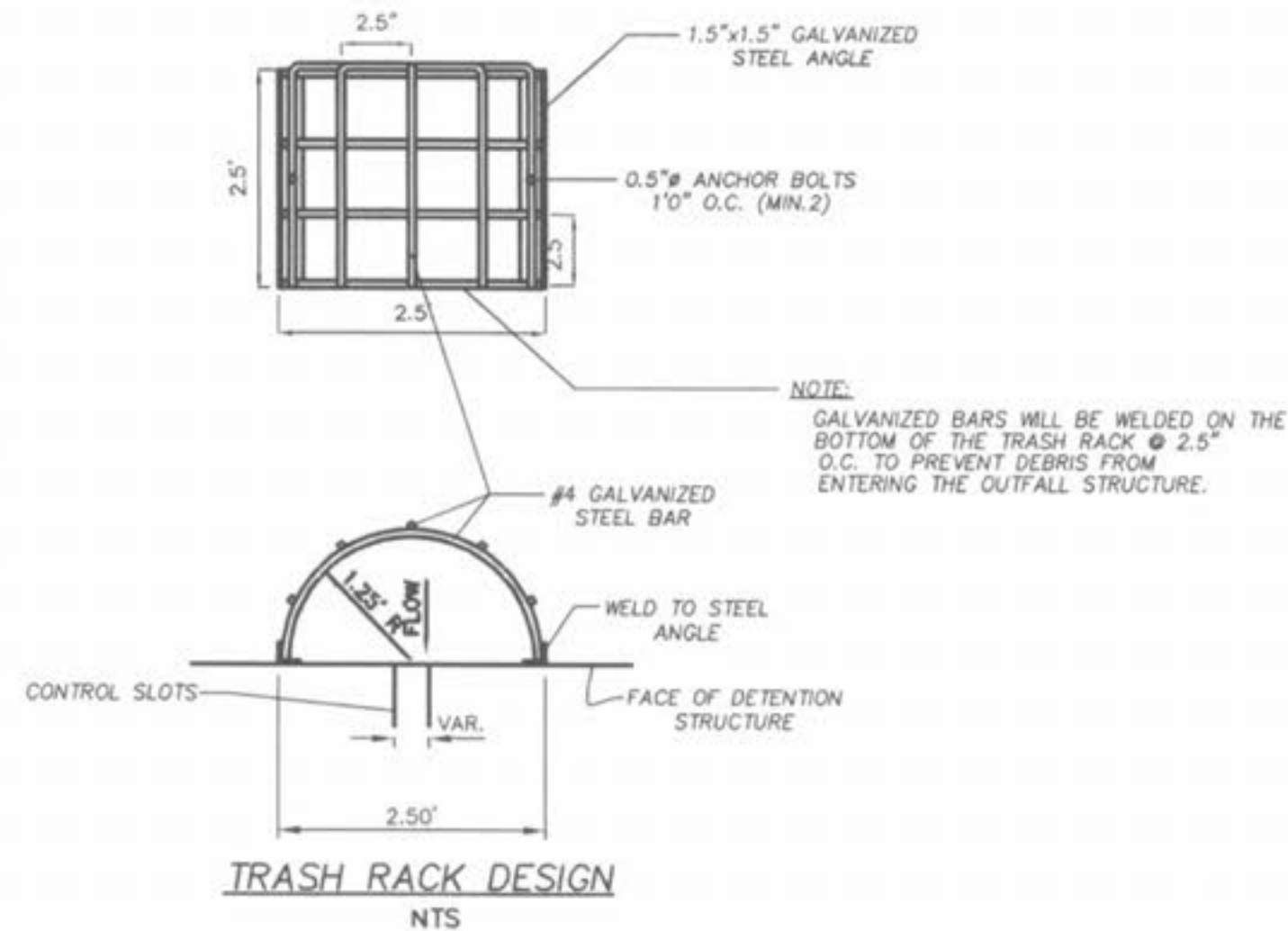
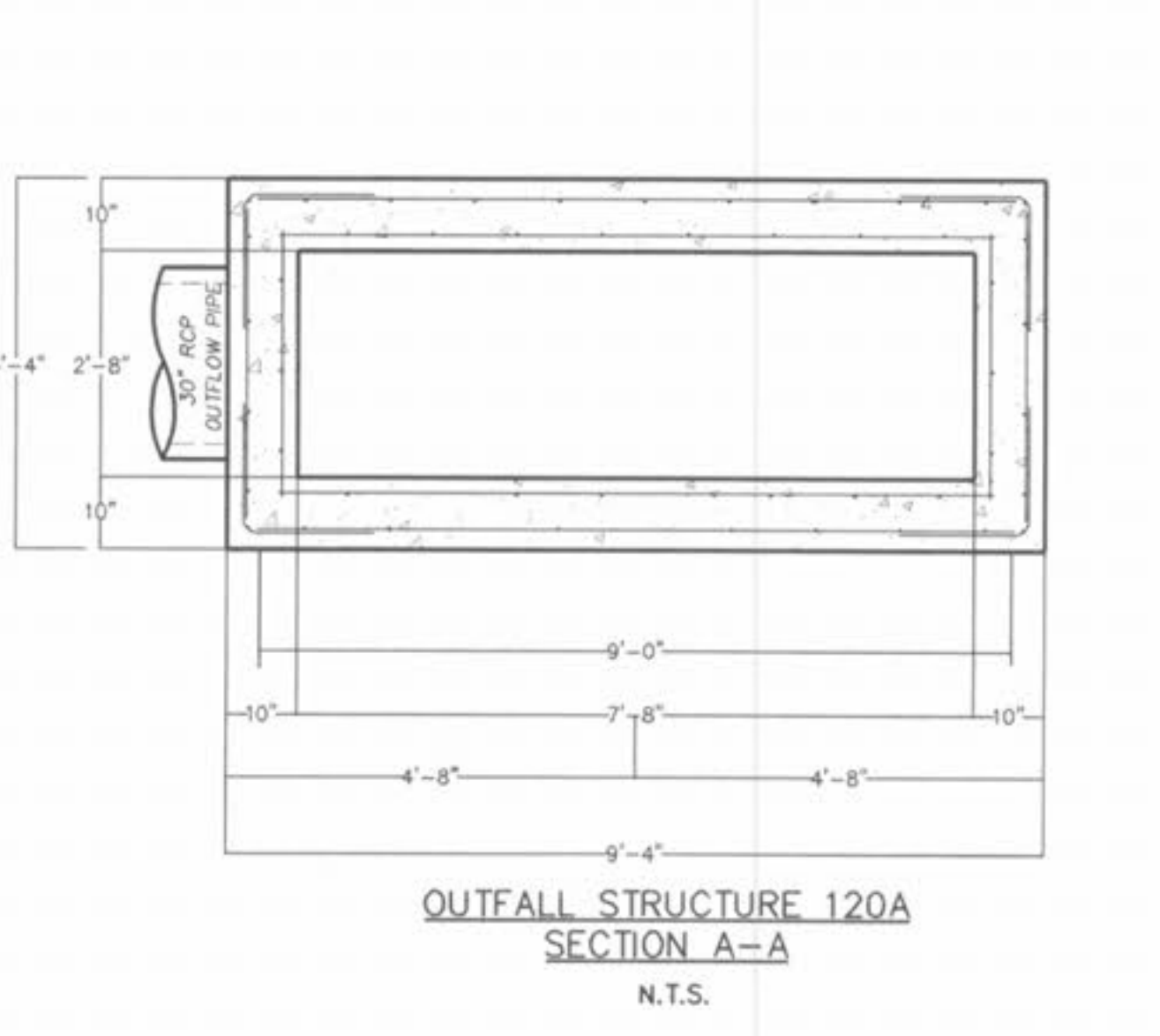
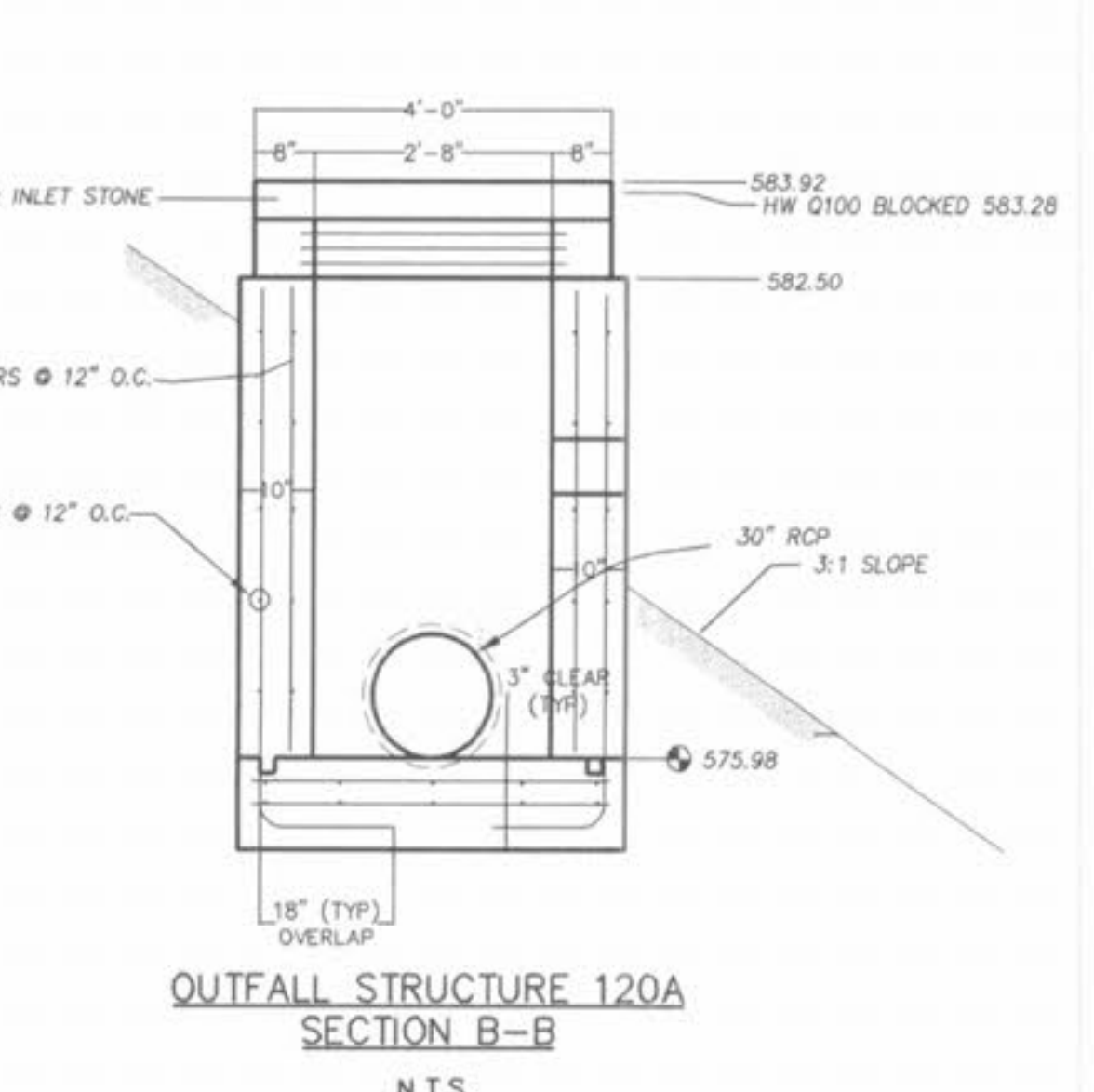
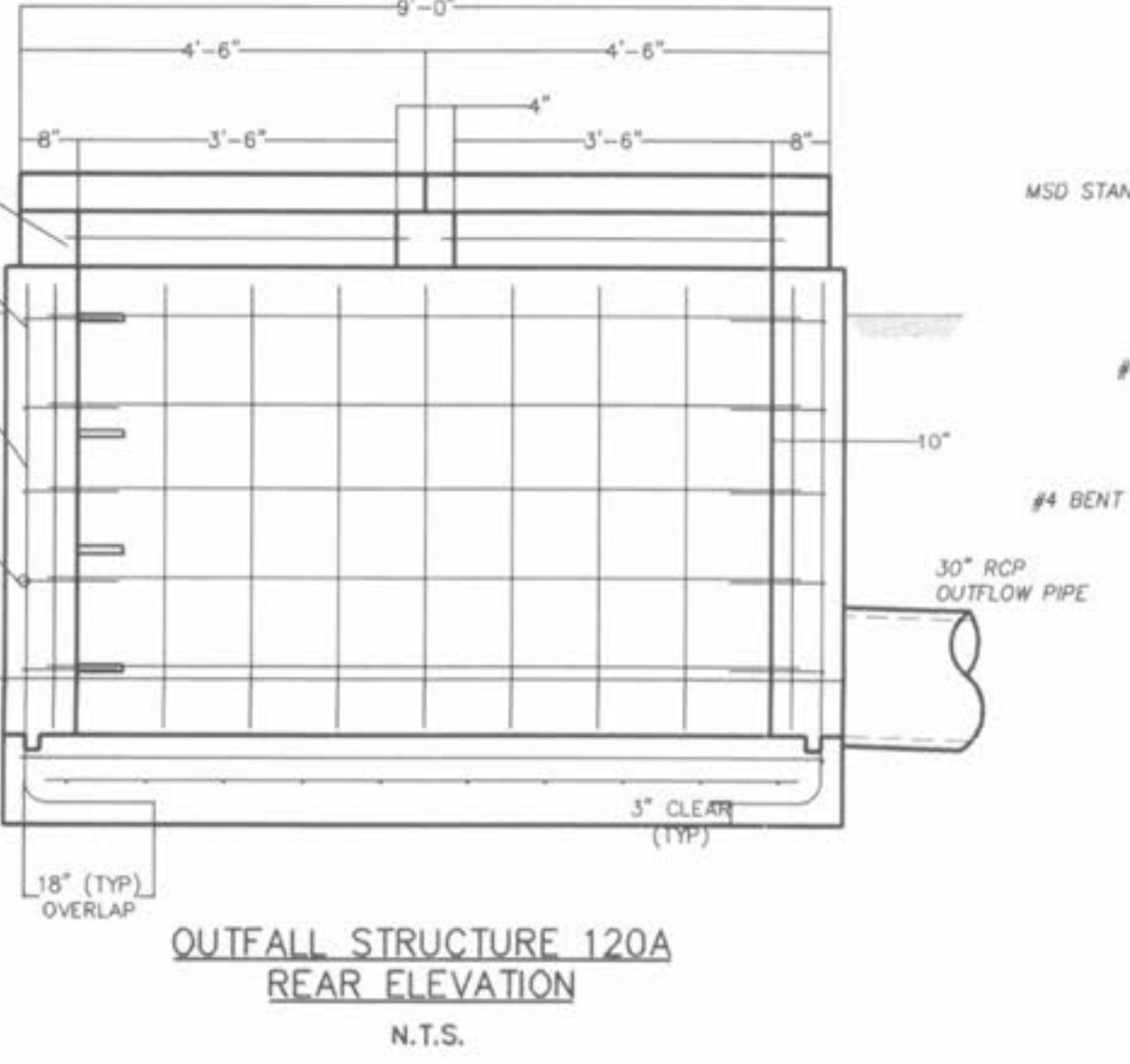
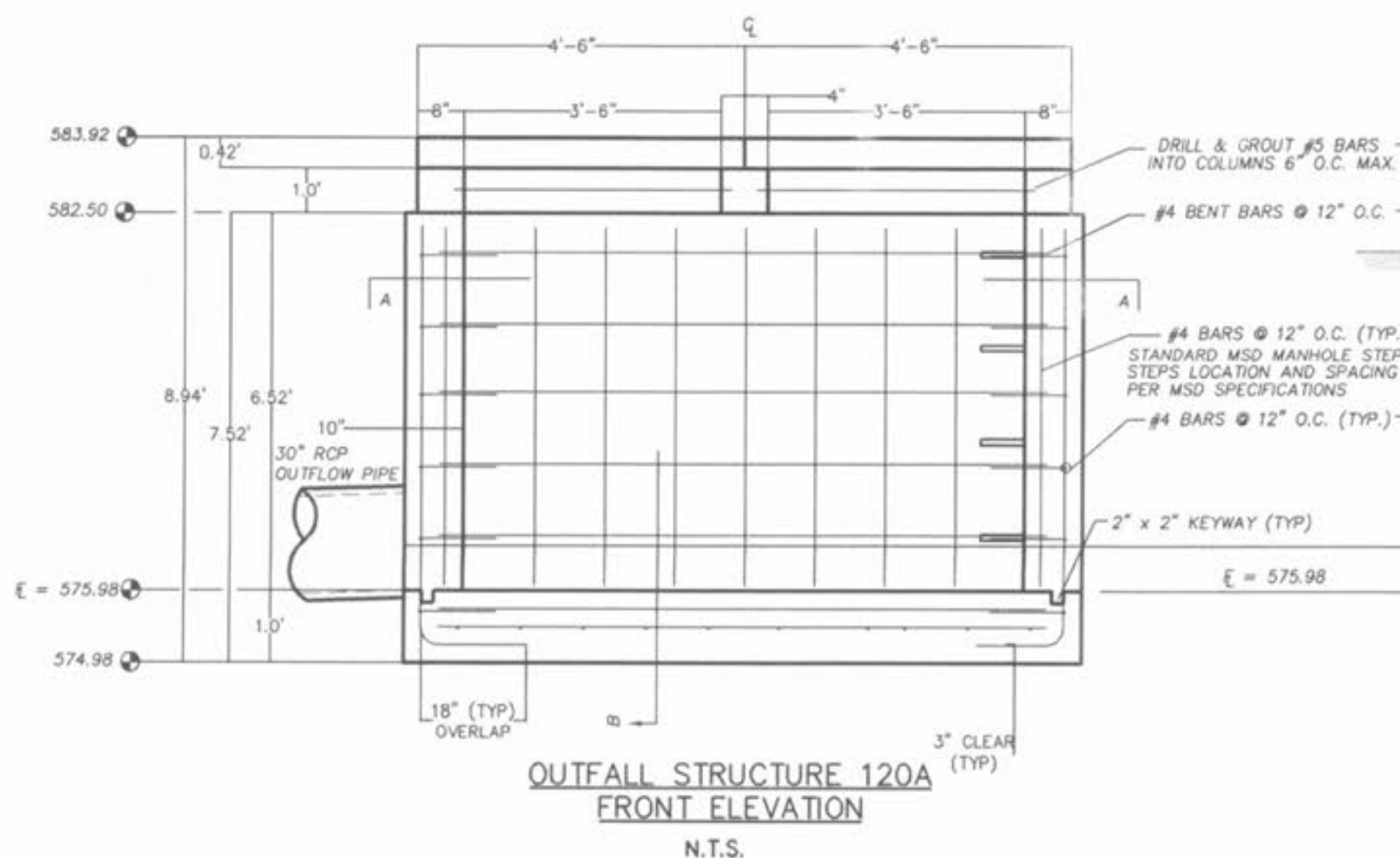
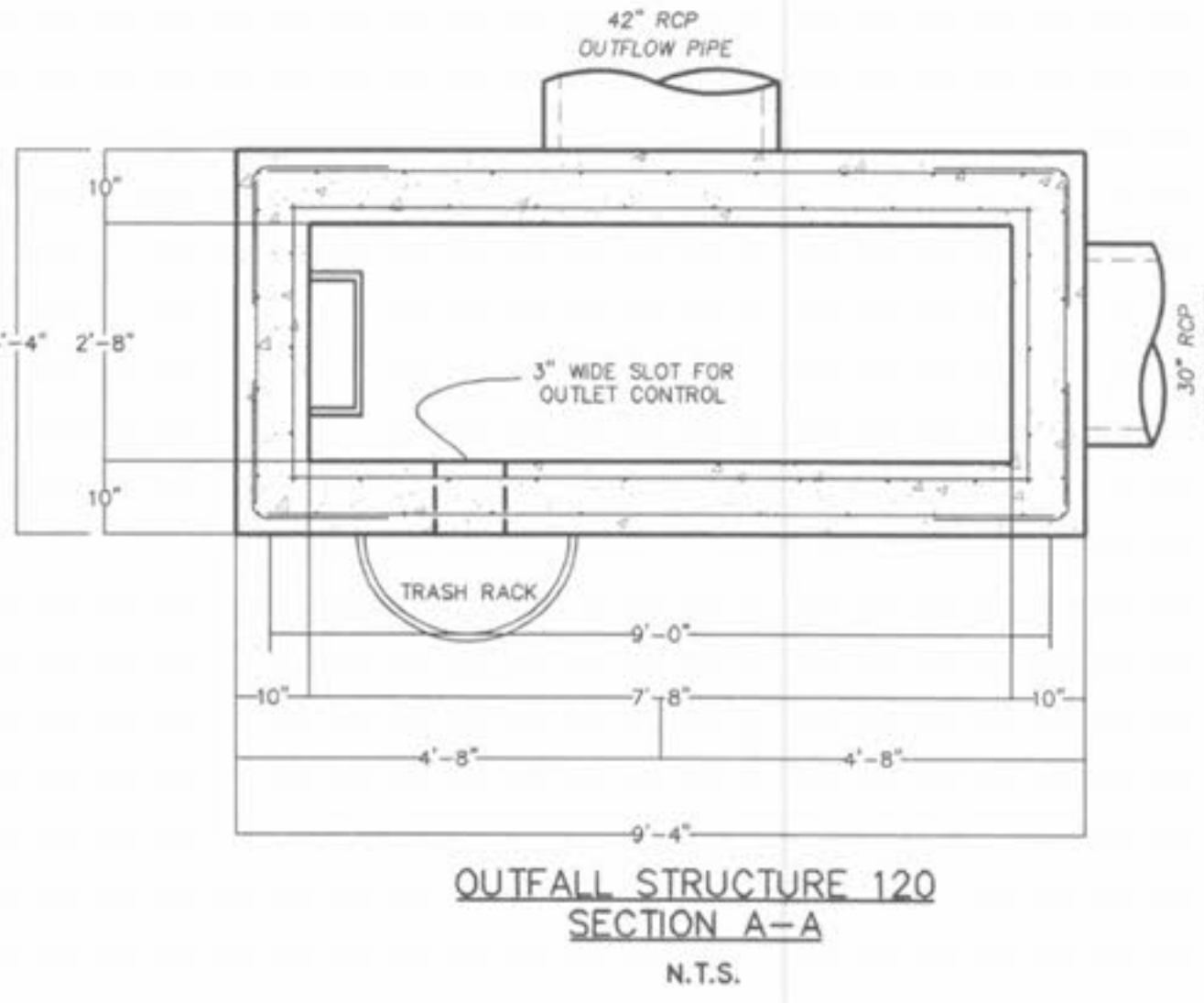
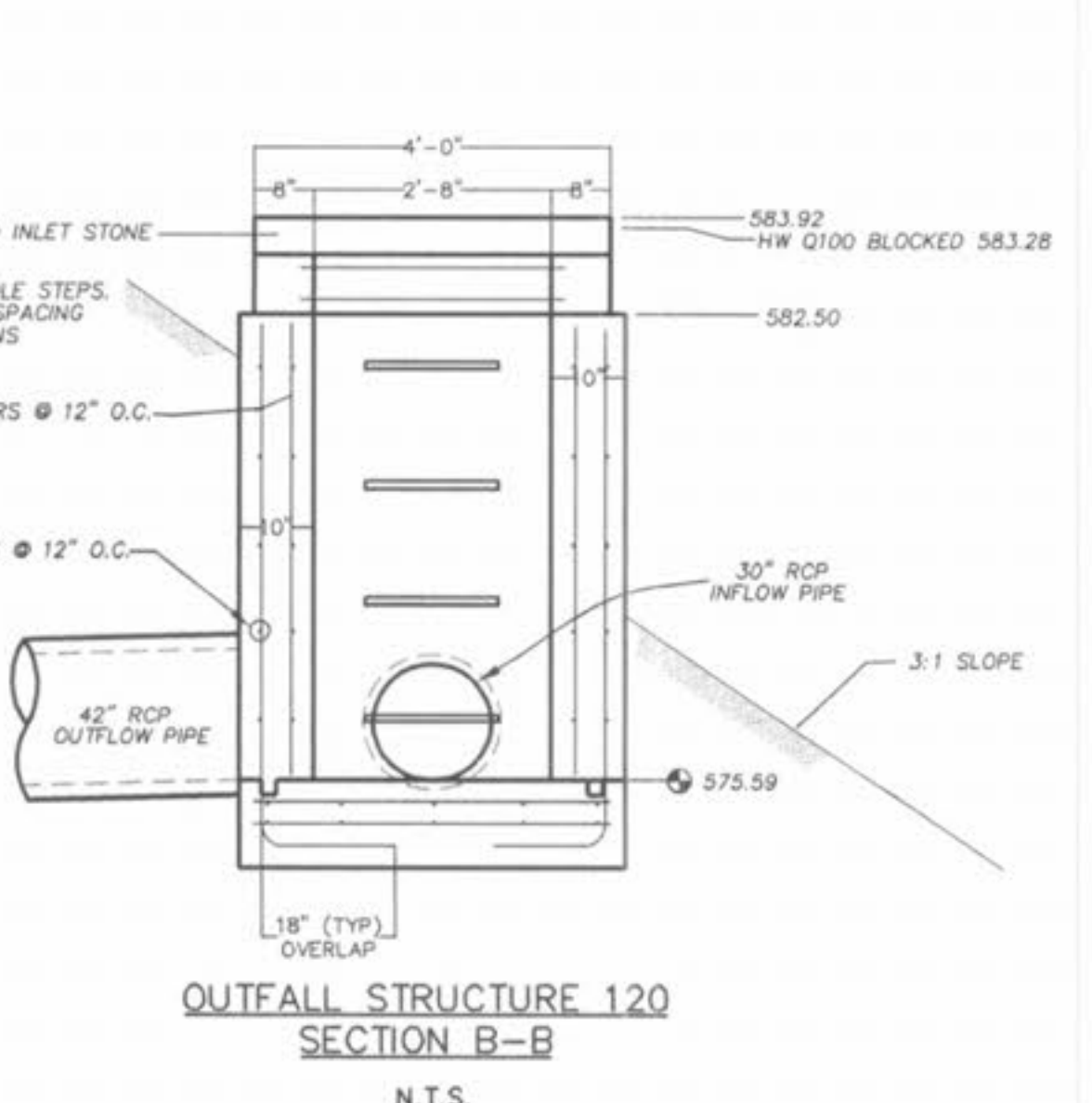
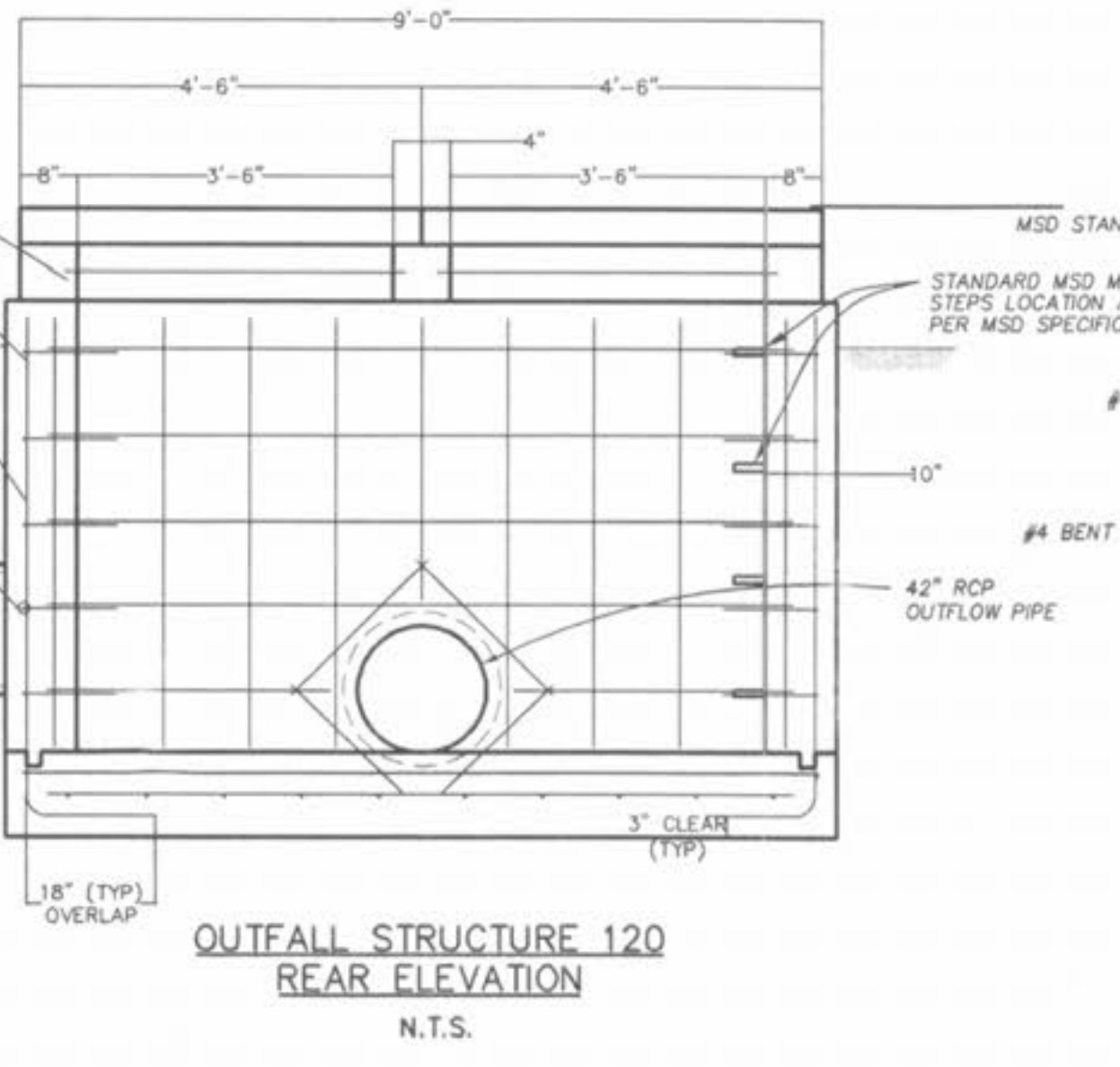
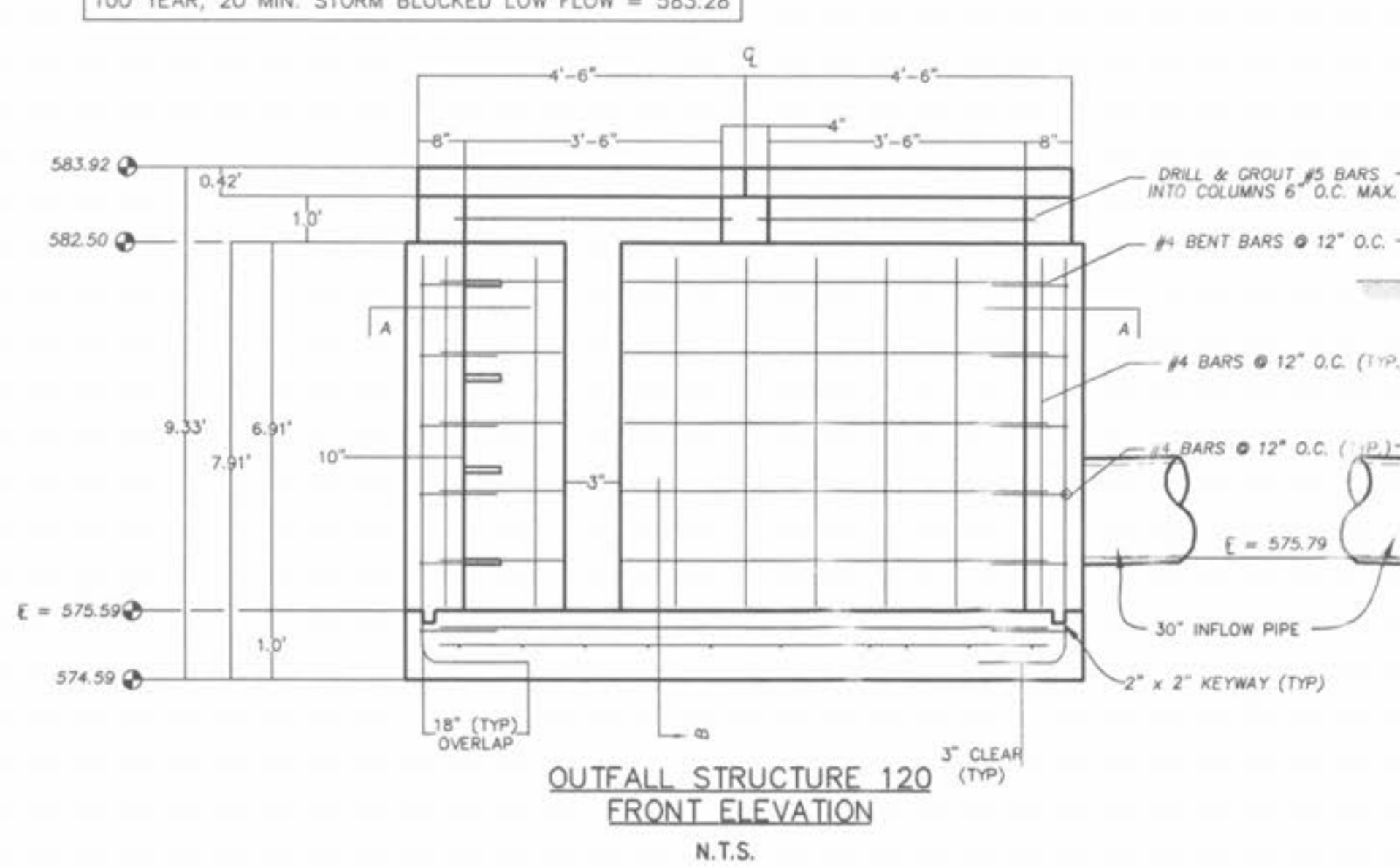


OUTFALL STRUCTURE #2
 2 YEAR, 20 HOUR STORM 576.80
 15 YEAR, 20 HOUR STORM 578.16
 25 YEAR, 20 HOUR STORM 578.84
 100 YEAR, 20 HOUR STORM 579.35
 100 YEAR, 20 MIN. STORM BLOCKED LOW FLOW = 579.82



OUTFALL STRUCTURE #120 & 120A
 2 YEAR, 20 HOUR STORM 580.31
 15 YEAR, 20 HOUR STORM 581.68
 25 YEAR, 20 HOUR STORM BLOCKED LOW FLOW 582.44
 100 YEAR, 20 HOUR STORM BLOCKED LOW FLOW 583.01
 100 YEAR, 20 MIN. STORM BLOCKED LOW FLOW = 583.28



ISSUE	REMARKS/DATE
1	03-02-05 FIRST SUBMITTAL
2	04-04-05 REVISED PER DCSO COMMENTS
3	04-04-05 REVISED PER CITY OF FALLON COMMENTS
4	05-23-05 REVISED PER DCSO COMMENTS
5	05-27-05 REVISED PER DCSO COMMENTS
6	06-09-05 REVISED PER PWS#2 COMMENTS
7	06-27-05 REVISED PER CITY OF FALLON COMMENTS
8	07-14-05 REVISED PER PWS#2 COMMENTS
9	08-08-05 REVISED PER CITY OF FALLON COMMENTS

PREPARED FOR:
SPRINGHURST, L.L.C.
 5091 NEW BAUMGARTNER ROAD
 ST. LOUIS, MISSOURI 63129
 (314) 487-6717



PREPARED BY:
THE STERLING CO.
 ENGINEERS & SURVEYORS
 5055 NEW BAUMGARTNER ROAD
 ST. LOUIS, MISSOURI 63129
 (314) 487-0940 FAX 487-8944
 E-Mail: Sterling@sterling-eng-survey.com

DRAWN: _____ DESIGNED: _____ CHECKED: _____
 PROJECT: **THE VILLAGES AT SPRINGHURST**
 SHEET TITLE: **OUTFALL STRUCTURE DETAILS**

NO	03	12	269
M.S.D.	SHEET		
P#	10.2		
DIGITAL FILE LOCATION	SERVER=STERLING-2		
DATE	2/20/07		
OF			

Drawing name: K:\D\031269 Springhurst\Improvements\ES999P3.dwg Plotted on: Aug 06, 2005 - 10:01am Plotted by: jantzenhus