

ISSUE	REMARKS/DATE
1	03-02-05 FIRST SUBMITTAL
2	04-04-05 REVISED PER DCSD COMMENTS
3	05-23-05 REVISED PER CITY OF OFALLON COMMENTS
4	05-27-05 REVISED PER DCSD COMMENTS
5	06-09-05 REVISED PER PWS# 42 COMMENTS
6	06-27-05 REVISED PER CITY OF OFALLON COMMENTS
7	07-14-05 REVISED PER PWS# 42 COMMENTS
8	08-08-05 REVISED PER CITY OF OFALLON COMMENTS

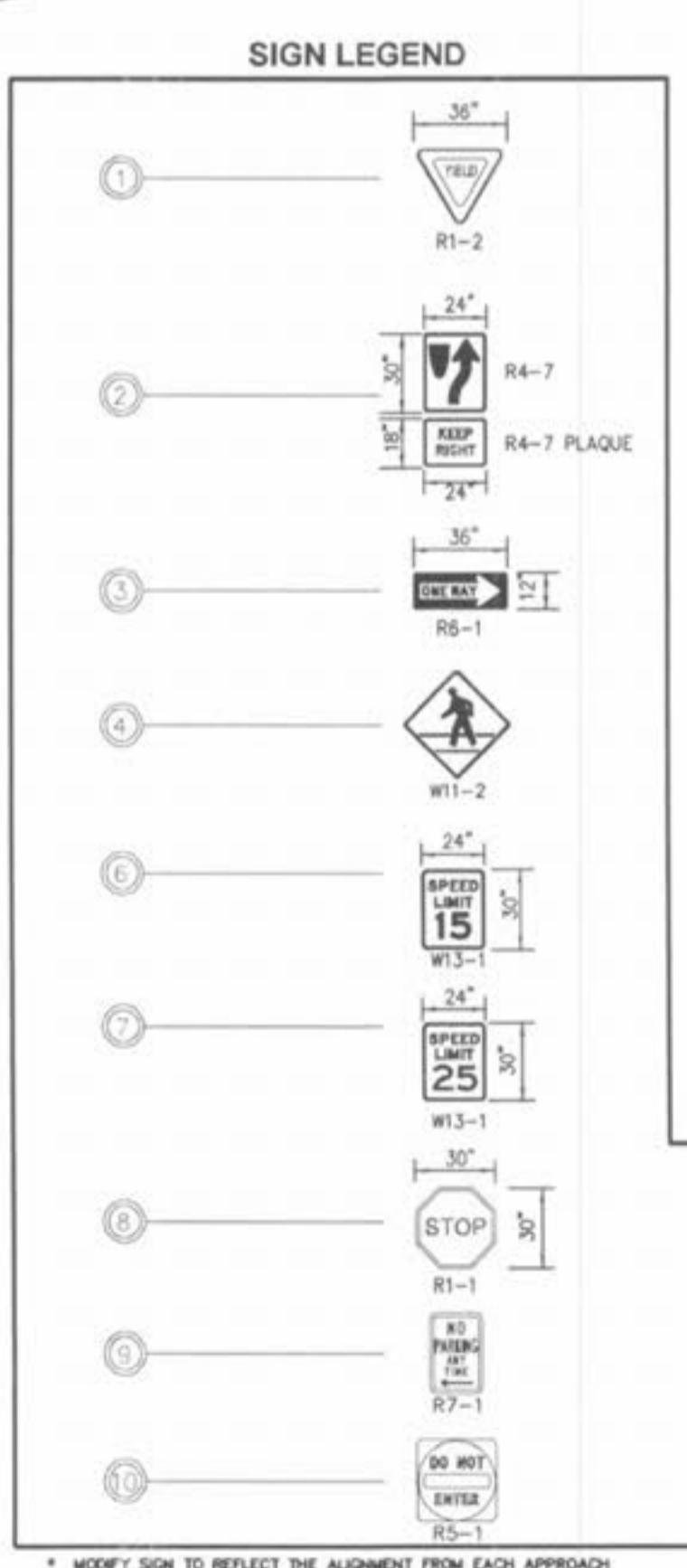
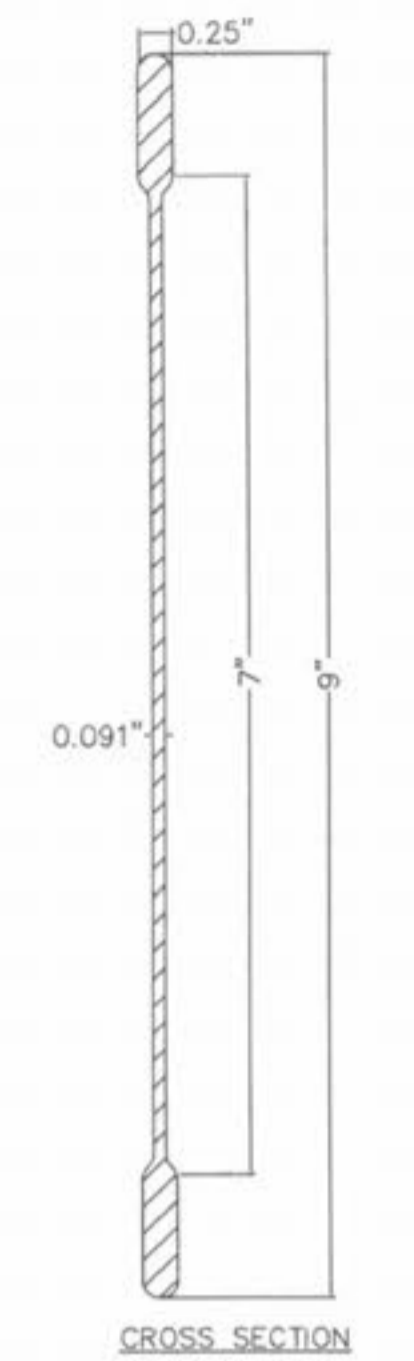
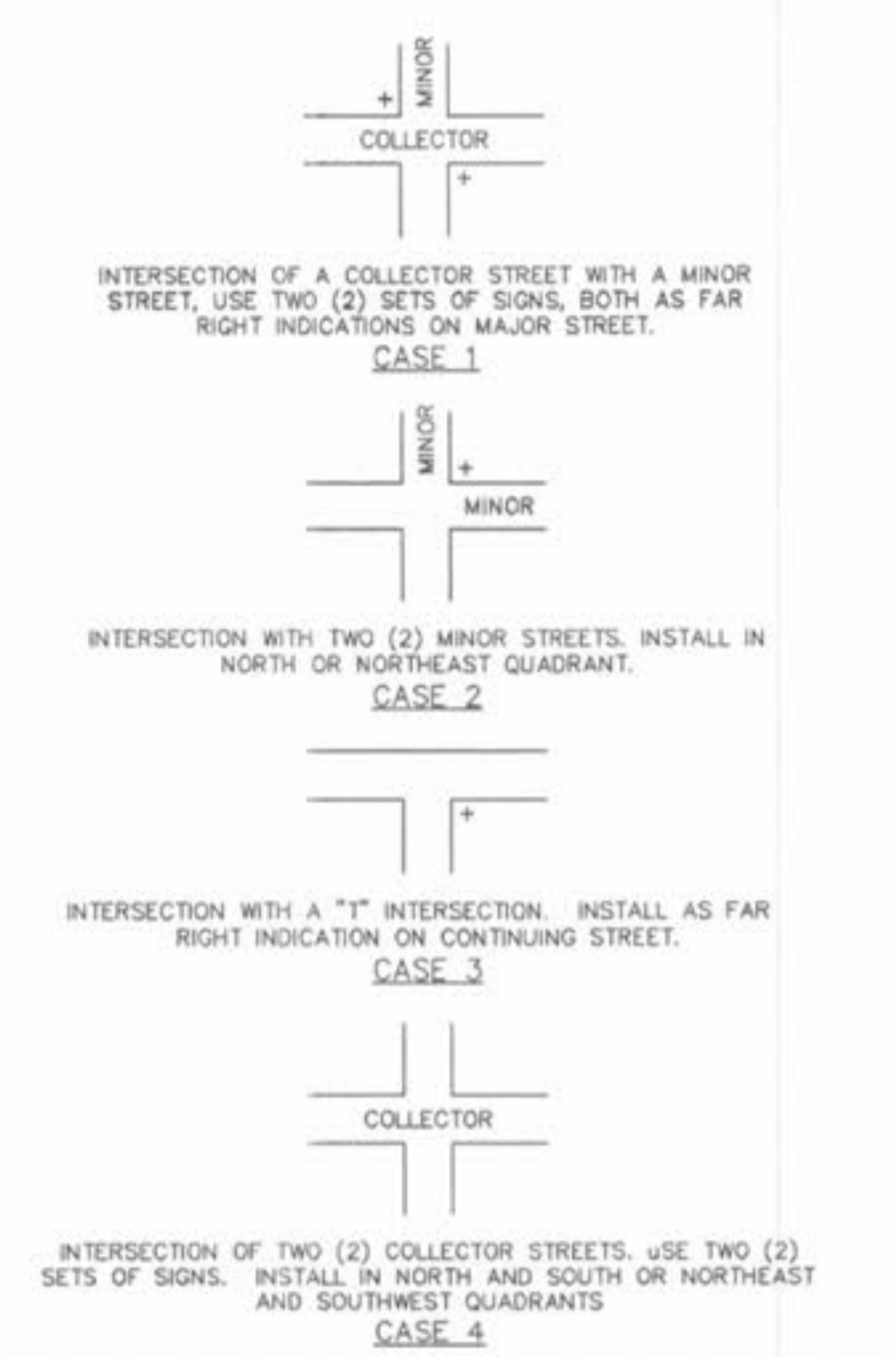
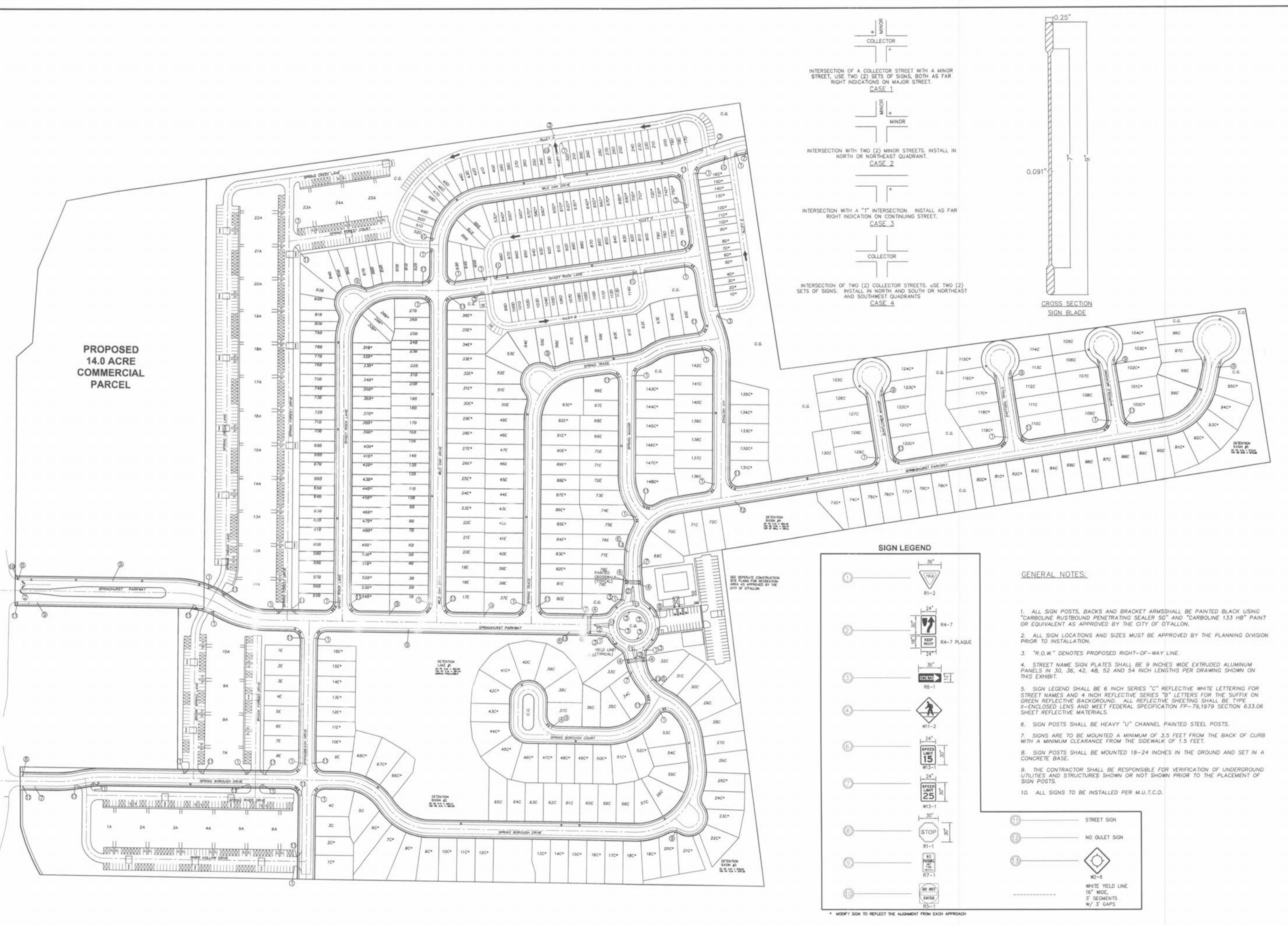
PREPARED FOR:
SPRINGHURST, L.L.C.
 5091 NEW BAUMGARTNER ROAD
 ST. LOUIS, MISSOURI 63129
 (314) 487-6717



THE **STERLING** CO.
 ENGINEERS & SURVEYORS
 5055 NEW BAUMGARTNER ROAD
 ST. LOUIS, MISSOURI 63129
 (314) 487-0440 FAX 487-8944
 E-Mail: Sterling@sterling-eng-sur.com

PROJECT: **THE VILLAGES AT SPRINGHURST**
 SHEET TITLE: **TRAFFIC CONTROL**

NO	03	12	269
M.S.D.	SHEET		
P#	14.1		
DIGITAL FILE LOCATION	SERVER=STERLING-2		
DATE	12/20/09		
OF	-		



- GENERAL NOTES:**
- ALL SIGN POSTS, BACKS AND BRACKET ARMS SHALL BE PAINTED BLACK USING "CARBOLINE RUSTBOUND PENETRATING SEALER SG" AND "CARBOLINE 133 HB" PAINT OR EQUIVALENT AS APPROVED BY THE CITY OF OFALLON.
 - ALL SIGN LOCATIONS AND SIZES MUST BE APPROVED BY THE PLANNING DIVISION PRIOR TO INSTALLATION.
 - "R.O.W." DENOTES PROPOSED RIGHT-OF-WAY LINE.
 - STREET NAME SIGN PLATES SHALL BE 9 INCHES WIDE EXTRUDED ALUMINUM PANELS IN 30, 36, 42, 48, 52 AND 54 INCH LENGTHS PER DRAWING SHOWN ON THIS EXHIBIT.
 - SIGN LEGEND SHALL BE 6 INCH SERIES "C" REFLECTIVE WHITE LETTERING FOR STREET NAMES AND 4 INCH REFLECTIVE SERIES "B" LETTERS FOR THE SUFFIX ON GREEN REFLECTIVE BACKGROUND. ALL REFLECTIVE SHEETING SHALL BE TYPE II-ENCLOSED LENS AND MEET FEDERAL SPECIFICATION FP-78, 1979 SECTION 633.06 SHEET REFLECTIVE MATERIALS.
 - SIGN POSTS SHALL BE HEAVY "U" CHANNEL PAINTED STEEL POSTS.
 - SIGNS ARE TO BE MOUNTED A MINIMUM OF 3.5 FEET FROM THE BACK OF CURB WITH A MINIMUM CLEARANCE FROM THE SIDEWALK OF 1.5 FEET.
 - SIGN POSTS SHALL BE MOUNTED 18-24 INCHES IN THE GROUND AND SET IN A CONCRETE BASE.
 - THE CONTRACTOR SHALL BE RESPONSIBLE FOR VERIFICATION OF UNDERGROUND UTILITIES AND STRUCTURES SHOWN OR NOT SHOWN PRIOR TO THE PLACEMENT OF SIGN POSTS.
 - ALL SIGNS TO BE INSTALLED PER M.U.T.C.D.