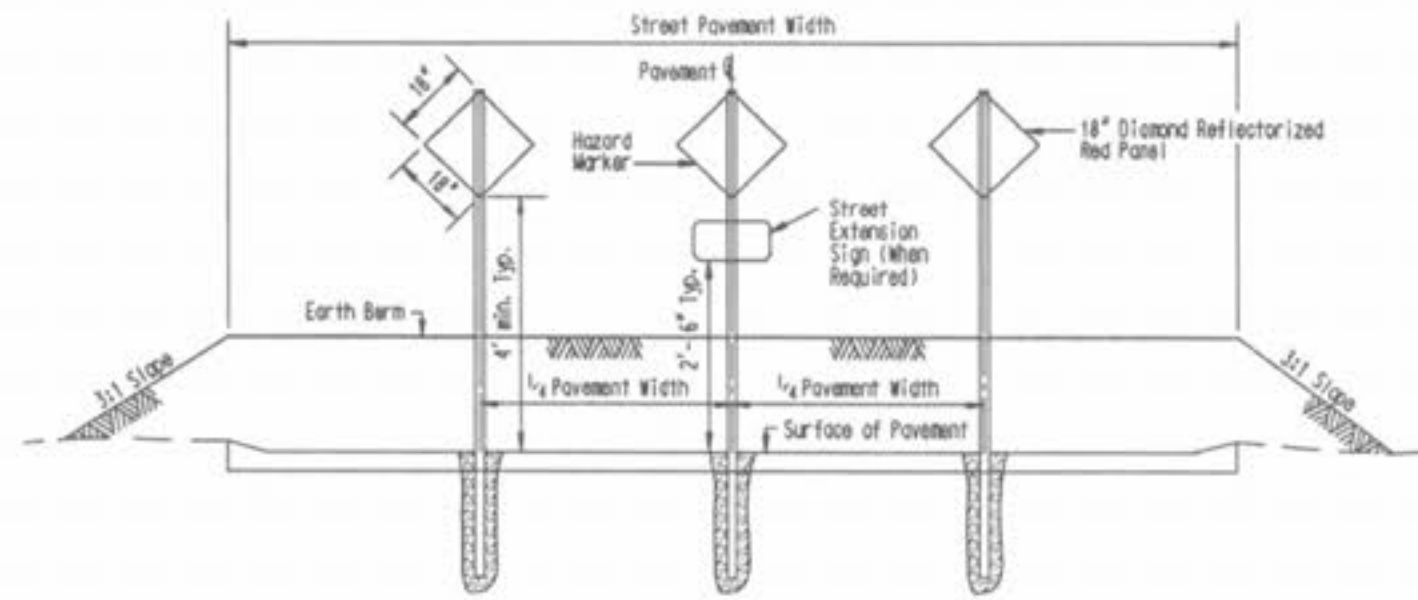
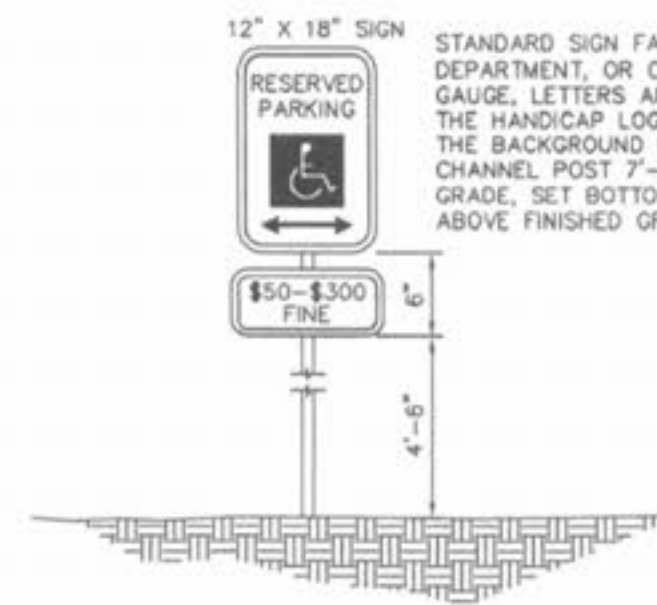


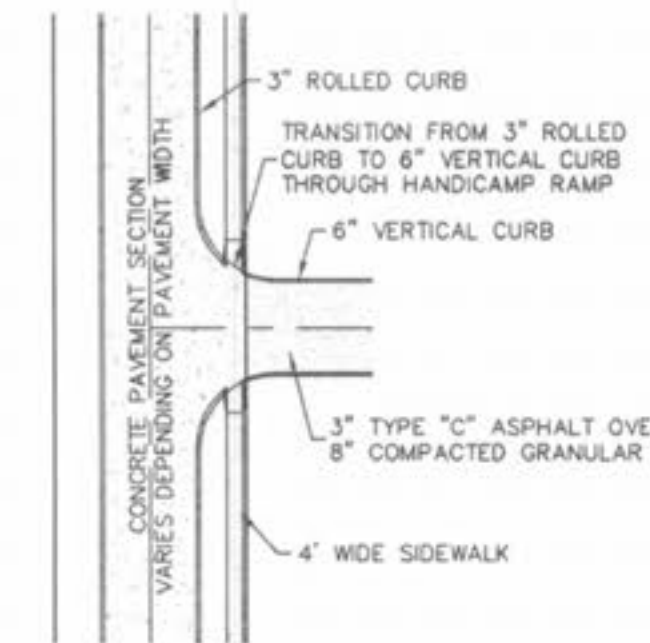
CONCRETE CURB DETAIL
NOT TO SCALE



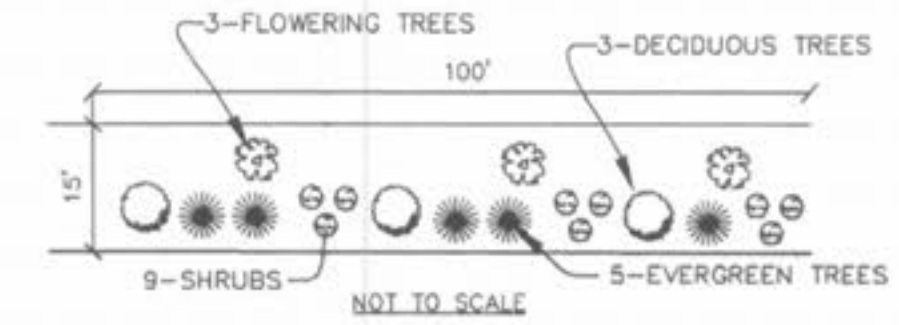
STREET EXTENSION SIGN DETAIL
N.T.S.



HANDICAP PARKING SIGN
NOT TO SCALE



TYPICAL PRIVATE ENTRANCE FOR CONDO AREAS
N.T.S.

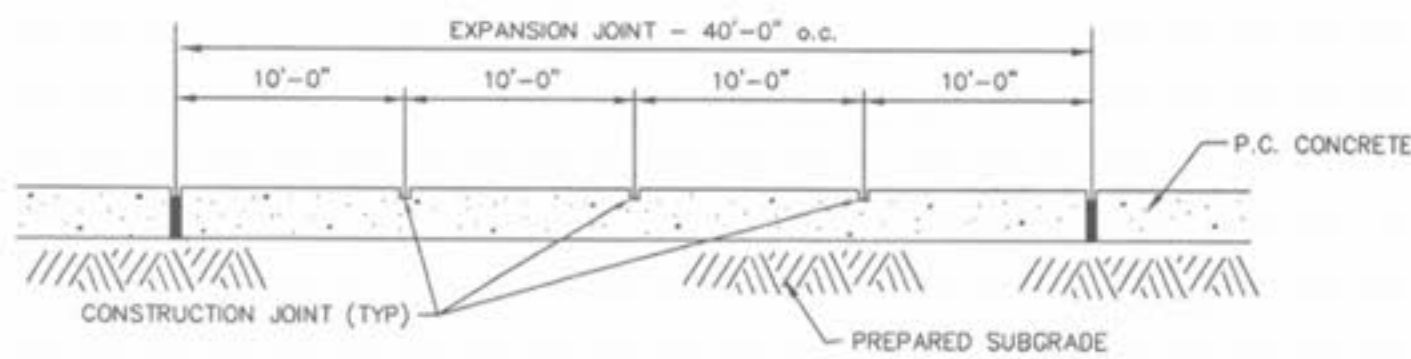


LANDSCAPE LEGEND FOR 15' WIDE BUFFER

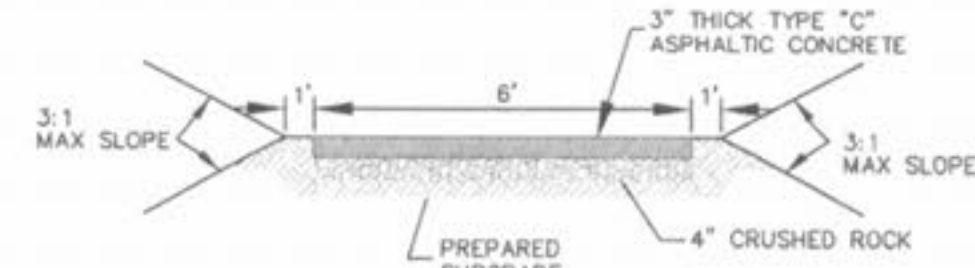
- EVERGREEN TREE (6' MIN. HT.)
WHITE PINES/AUSTRIANS
- DECIDUOUS TREE (2" MIN. CALIPER
PIN OAKS, ASH, SWEET GUM)
- ⊗ FLOWERING TREES (2 1/2" MIN. CALIPER)
BRADFORD PEAR, DOGWOOD, RED BUD
- ⊙ SHRUB (18" MIN. DIAMETER)

TYPICAL LANDSCAPE BUFFER

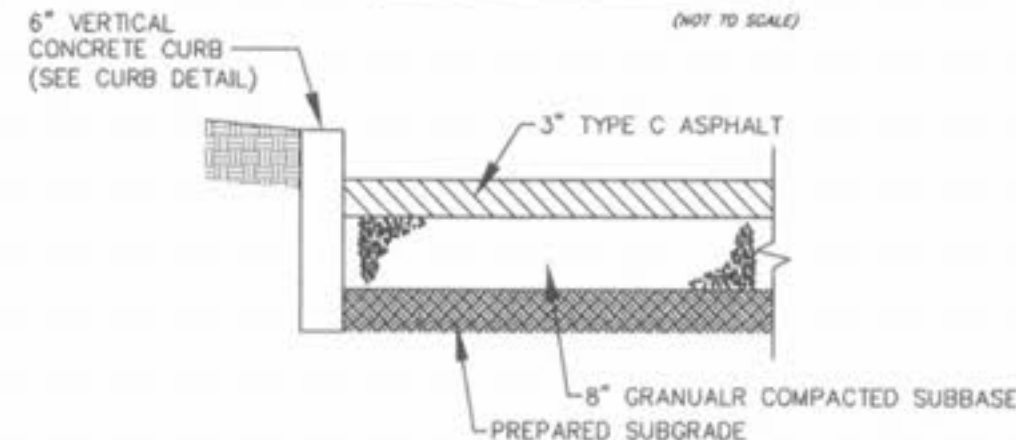
WITHIN "NO GRADE ZONE" AREAS WHERE NO VEGETATION OR TREE MASS EXISTS AND WHERE GRADING MUST OCCUR FOR UTILITY PURPOSES, THE DEVELOPER SHALL PROVIDE FOR EVERY 100 FEET OF PROPERTY WITHIN THE FIFTEEN (15) FOOT "NO GRADE ZONE" NINE (9) SHRUBS, THREE (3) FLOWERING TREES, THREE (3) DECIDUOUS TREES, AND FIVE (5) EVERGREEN TREES.



CONCRETE SIDEWALK DETAIL
(NOT TO SCALE)



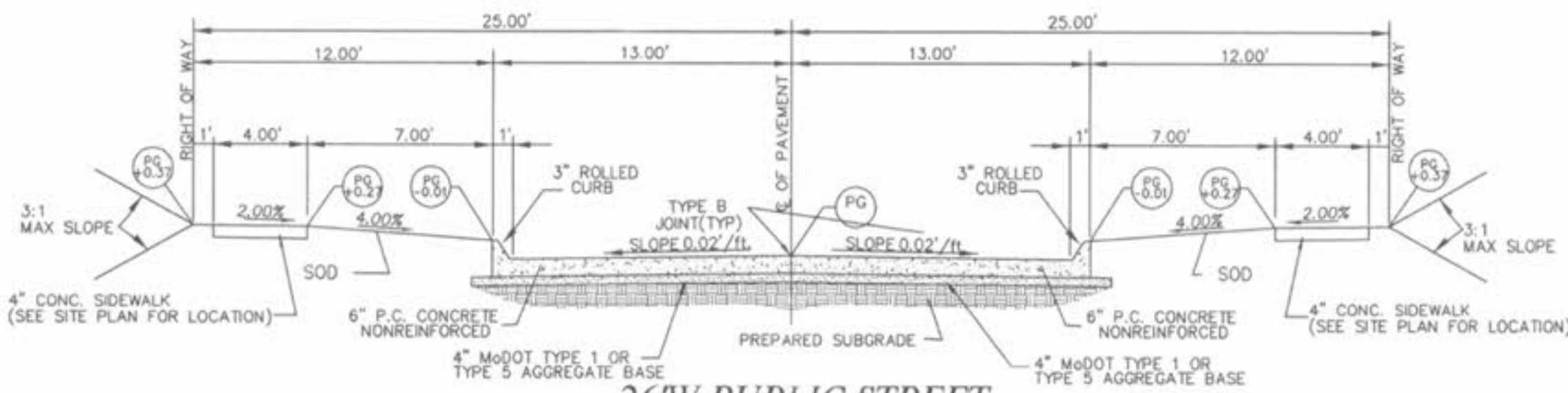
ASPHALT WALKING TRAIL (ALONG HIGHWAY N)
(NOT TO SCALE)



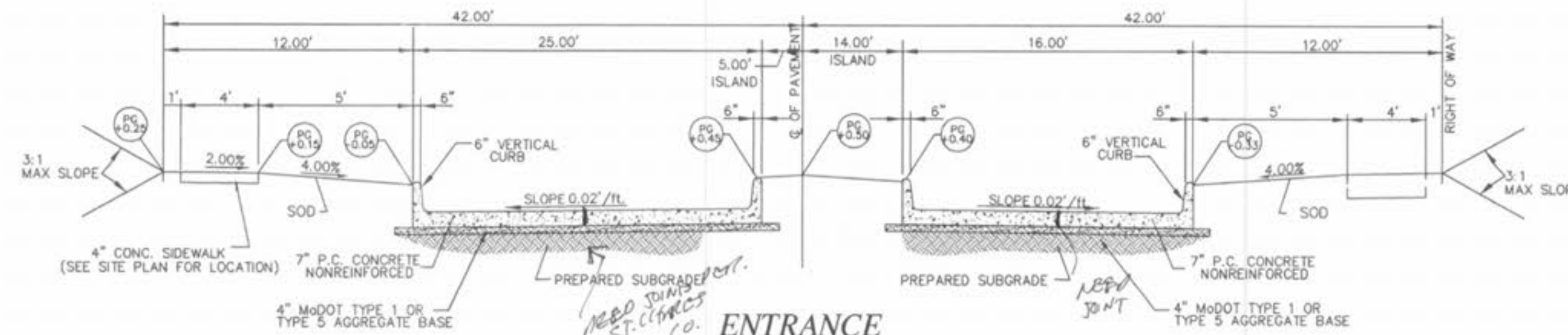
TYPICAL COMMERCIAL SECTION (FOR CONDO DRIVE AISLES AND PARKING AREAS)
(NOT TO SCALE)



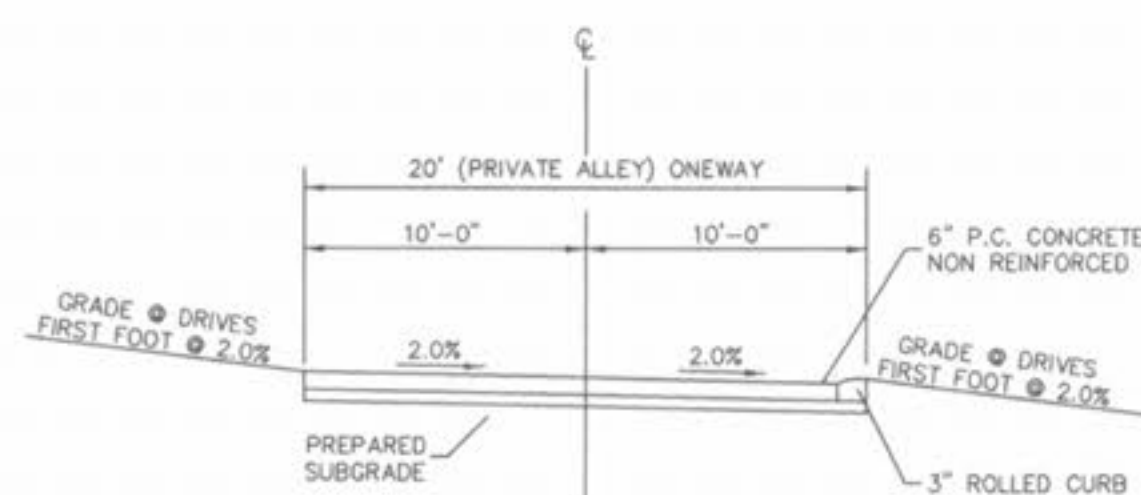
36W PUBLIC STREET TYPICAL PAVEMENT SECTIONS
(SPRINGHURST PARKWAY—STA: 5+00 THRU STA: 17+90.11)
N.T.S.



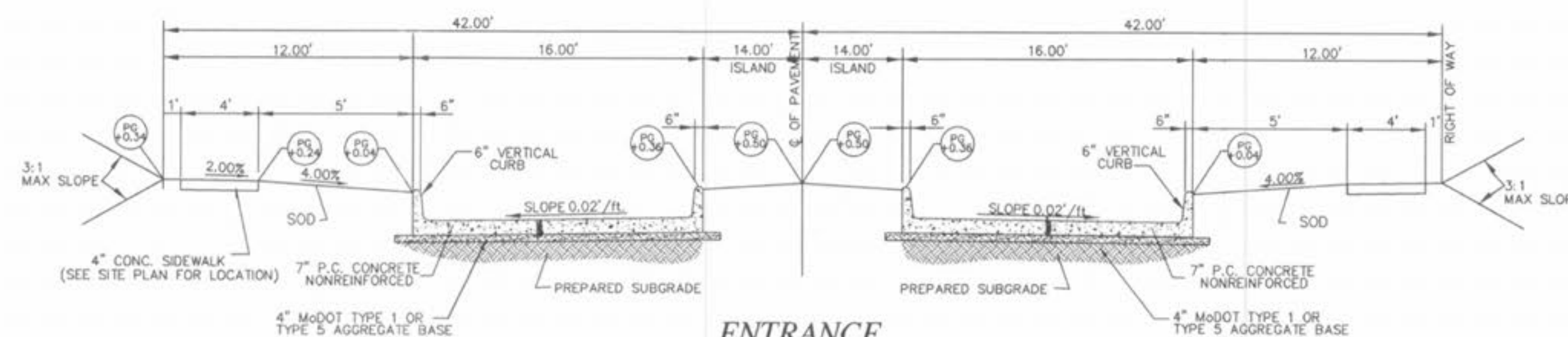
26W PUBLIC STREET TYPICAL PAVEMENT SECTIONS
N.T.S.



ENTRANCE TYPICAL PAVEMENT SECTIONS
(SPRINGHURST PARKWAY—STA: 0+00 THRU STA: 1+70)
N.T.S.



TYPICAL ALLEY SECTION (FOR TOWNHOMES)
N.T.S.
NO PARKING OFF OF ALLEYS



ENTRANCE TYPICAL PAVEMENT SECTIONS
(SPRINGHURST PARKWAY—STA: 2+60 THRU STA: 5+00)
N.T.S.

ISSUE	REMARKS/DATE
1	03-02-05 FIRST SUBMITTAL
2	04-04-05 REVISED PER DCSO COMMENTS
3	05-23-05 REVISED PER CITY OF FALLON COMMENTS
4	05-27-05 REVISED PER DCSO COMMENTS
5	06-09-05 REVISED PER PDSDO COMMENTS
6	06-27-05 REVISED PER CITY OF FALLON COMMENTS
7	07-14-05 REVISED PER PDSDO COMMENTS
8	08-08-05 REVISED PER CITY OF FALLON COMMENTS

PREPARED FOR:
SPRINGHURST, L.L.C.
5091 NEW BAUMGARTNER ROAD
ST. LOUIS, MISSOURI 63129
(314) 487-6717



PREPARED BY:
STERLING & CO.
ENGINEERS & SURVEYORS
5055 NEW BAUMGARTNER ROAD
ST. LOUIS, MISSOURI 63129
(314) 487-0440 FAX 487-6944
E-Mail: Sterling@sterling-eng-srv.com

DRAWN: _____ DESIGNED: _____ CHECKED: _____
PROJECT: **THE VILLAGES AT SPRINGHURST**
SHEET TITLE: ST. CHARLES COUNTY DETAILS

NO.	03	12	269
M.S.D.			SHEET
P#			CD3
DIGITAL FILE LOCATION	SERVER=STERLING-2		
FILE	CONTR-ENG		
			OF